



US00D703456S

(12) **United States Design Patent**  
**Devaney**

(10) **Patent No.:** **US D703,456 S**  
(45) **Date of Patent:** **\*\* Apr. 29, 2014**

- (54) **HYDRATING LOUNGE CHAIR**
- (71) Applicant: **Jennifer E. Devaney**, Noblesville, IN (US)
- (72) Inventor: **Jennifer E. Devaney**, Noblesville, IN (US)
- (\*\*) Term: **14 Years**
- (21) Appl. No.: **29/460,412**
- (22) Filed: **Jul. 10, 2013**
- (51) **LOC (10) Cl.** ..... **06-01**
- (52) **U.S. Cl.**  
USPC ..... **D6/361**
- (58) **Field of Classification Search**  
USPC ..... D6/334-336, 361, 364, 365, 374, 375, D6/716, 716.1, 716.2, 716.3, 716.4; 297/423.1, 423.19, 452.12, 452.19, 297/451.4, 451.5  
See application file for complete search history.

D304,394 S *	11/1989	Harmer	.....	D6/361
D341,965 S *	12/1993	Chapman	.....	D6/375
D490,618 S *	6/2004	Green et al.	.....	D6/361
D509,371 S *	9/2005	Natuzzi	.....	D6/361
D608,554 S *	1/2010	Aoki	.....	D6/361
D608,555 S *	1/2010	Aoki	.....	D6/361

\* cited by examiner

*Primary Examiner* — Mimoso De  
(74) *Attorney, Agent, or Firm* — Maier & Maier, PLLC

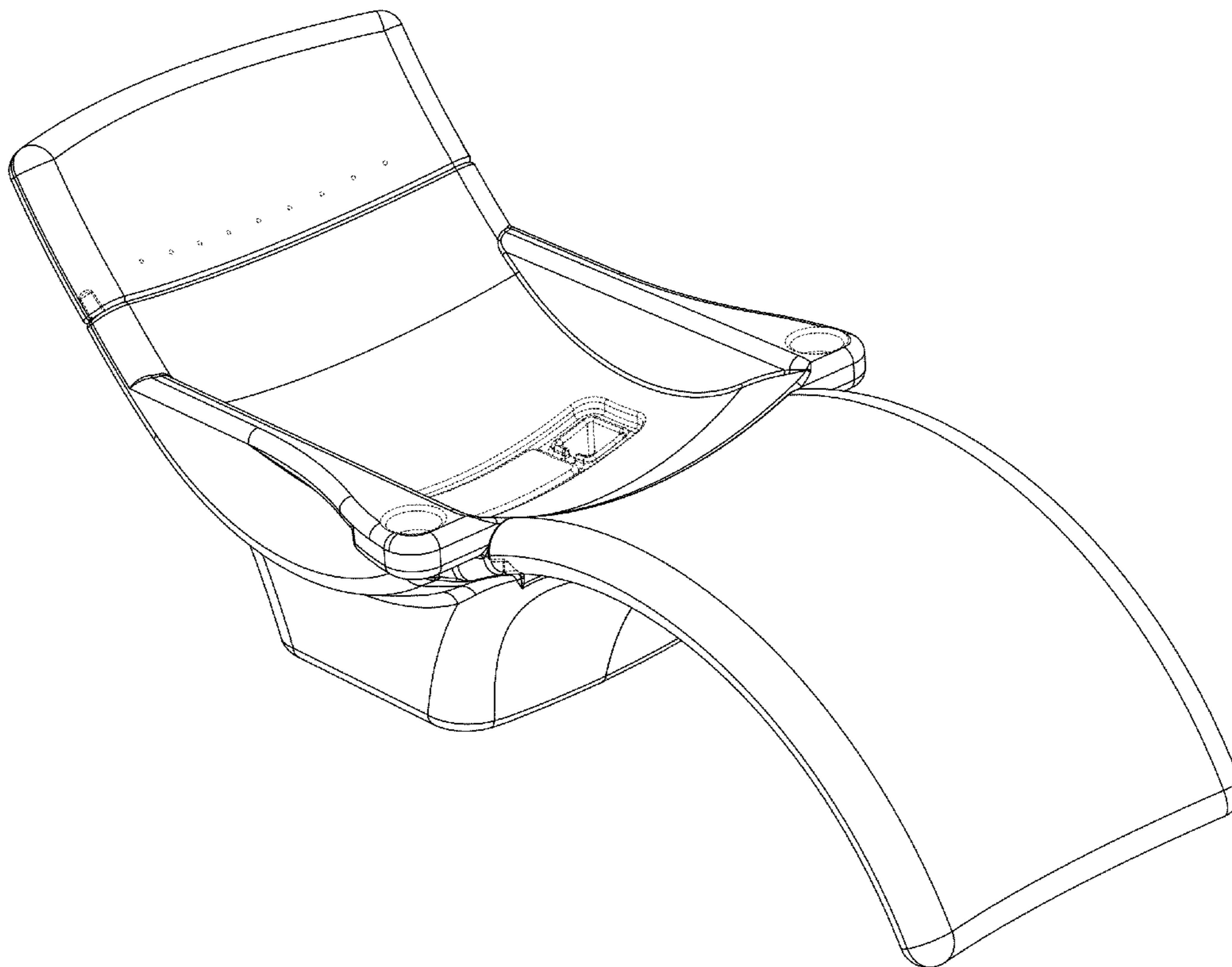
(57) **CLAIM**  
The ornamental design for a hydrating lounge chair, as shown and described.

**DESCRIPTION**

FIG. 1 is a top and front isometric view of a hydrating lounge chair, showing my design;  
FIG. 2 is a rear oblique view thereof;  
FIG. 3 is a left side elevational view thereof;  
FIG. 4 is a right side elevational view thereof;  
FIG. 5 is a front elevational view thereof;  
FIG. 6 is a rear elevational view thereof;  
FIG. 7 is a top plan view thereof; and,  
FIG. 8 is a bottom plan view thereof.  
The broken line showing of portions of the hydrating lounge chair is for illustrative purposes only and forms no part of the claimed design.

**1 Claim, 7 Drawing Sheets**

- (56) **References Cited**  
U.S. PATENT DOCUMENTS  
D210,875 S \* 4/1968 Stauber ..... D6/361  
D226,644 S \* 4/1973 Kogoj ..... D6/365  
D227,204 S \* 6/1973 Krierson ..... D6/361  
D230,444 S \* 2/1974 Kogoj et al. .... D6/361  
D236,861 S \* 9/1975 Conrad ..... D6/361



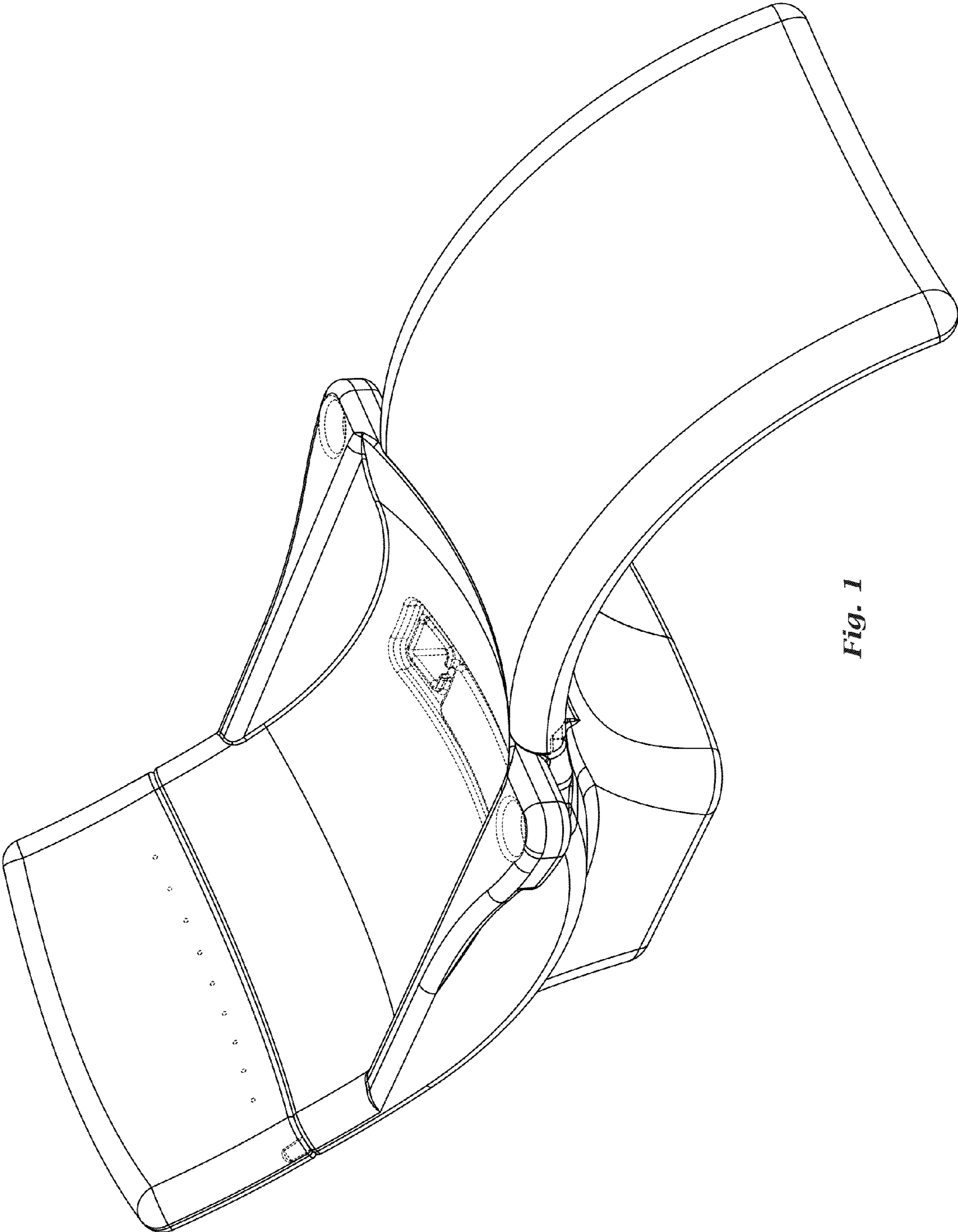


Fig. 1

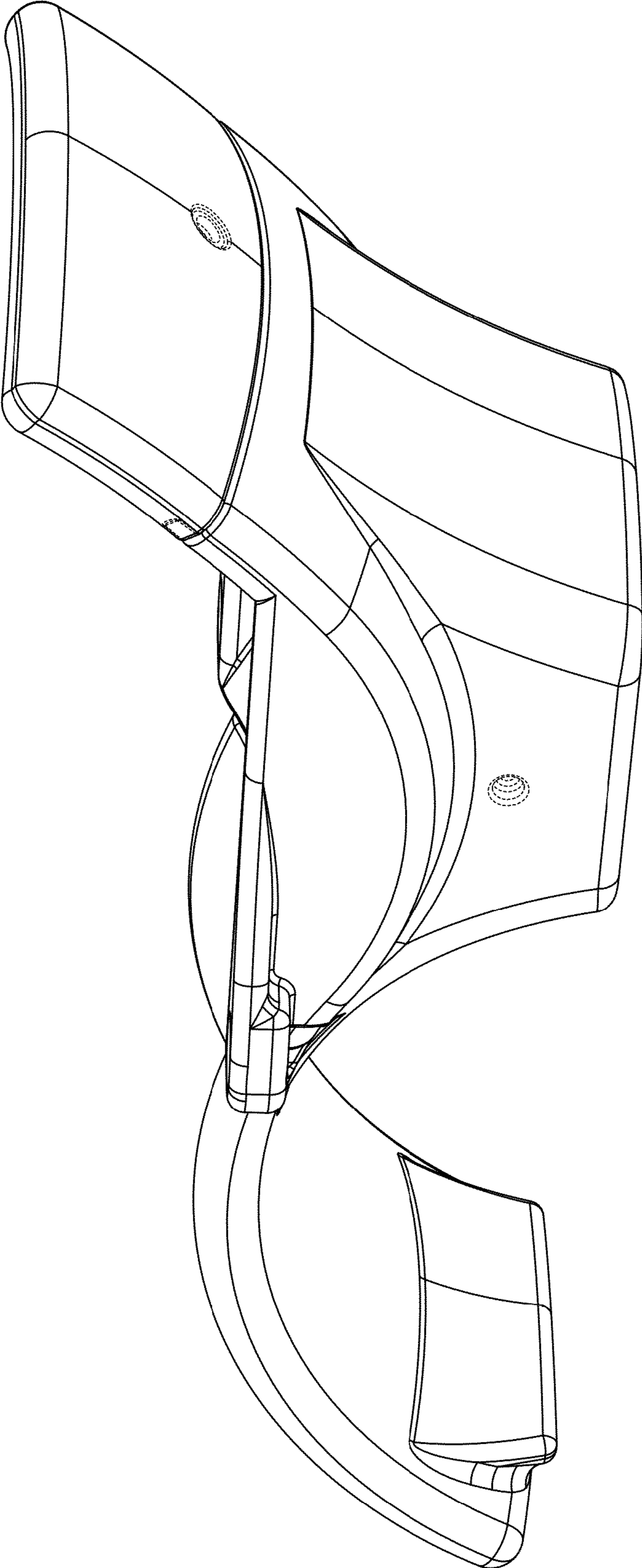


Fig. 2

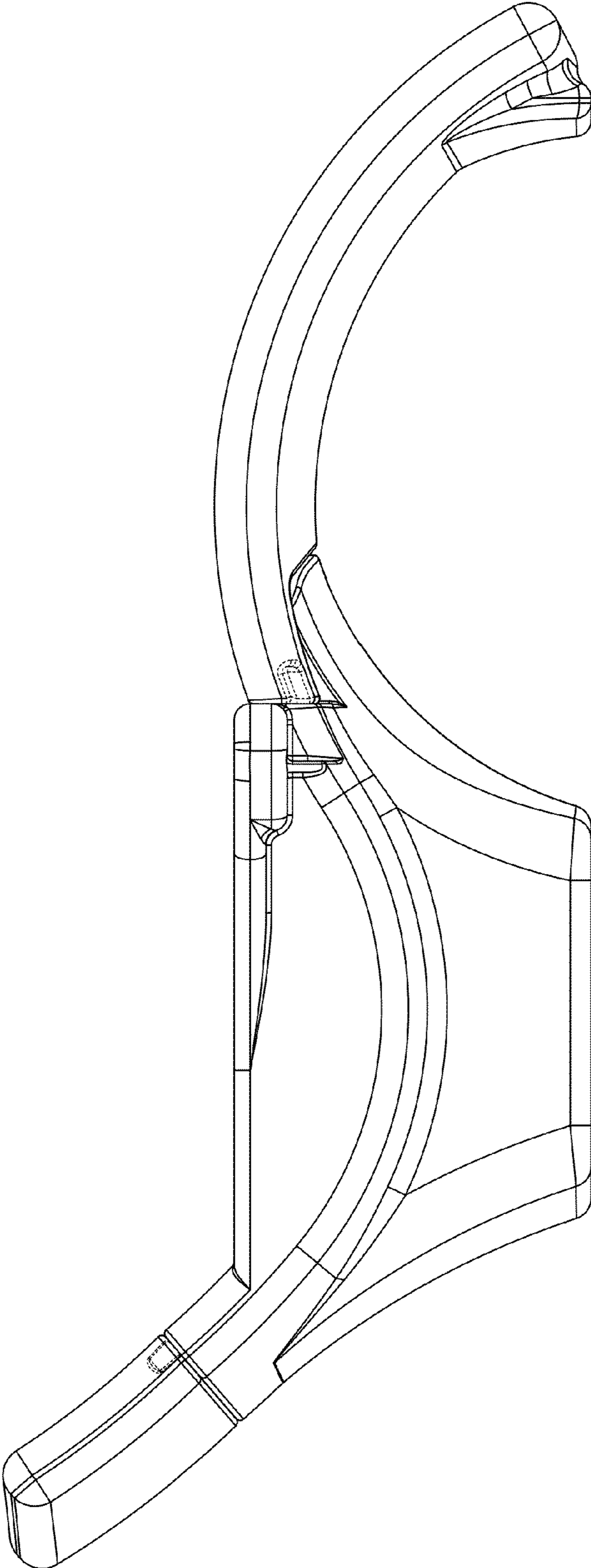


Fig. 3



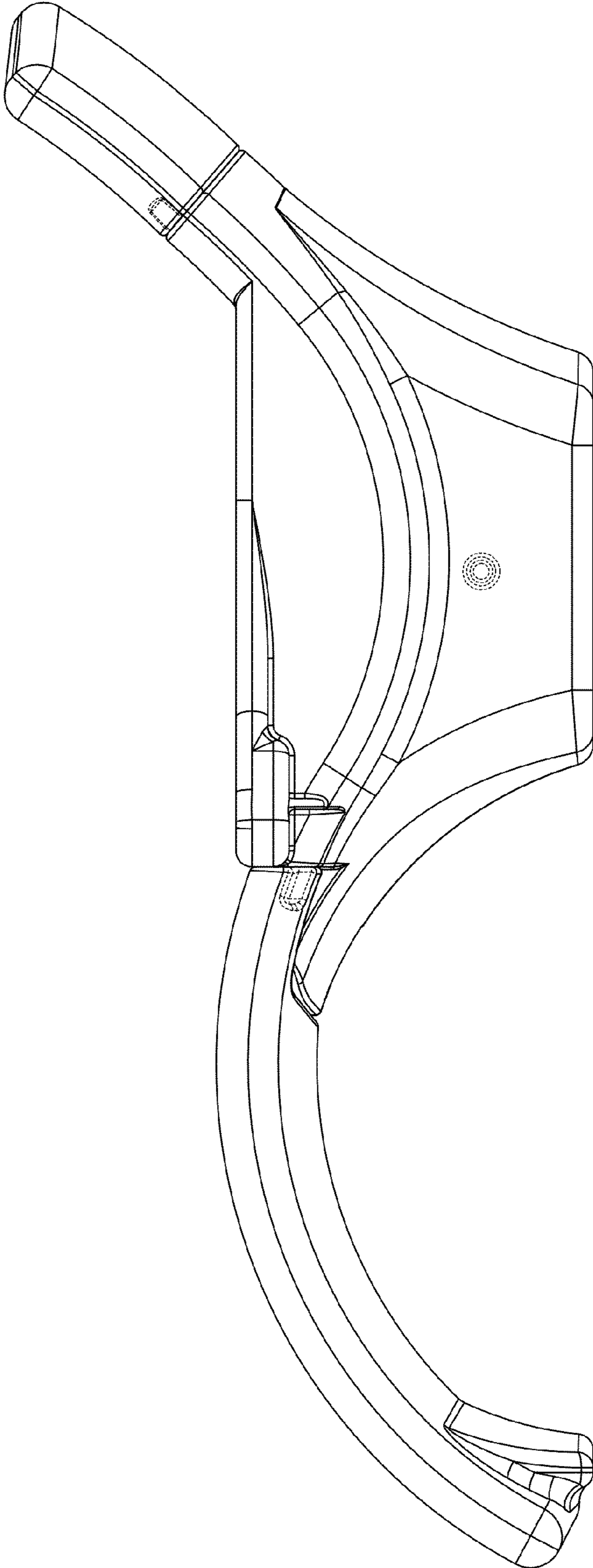
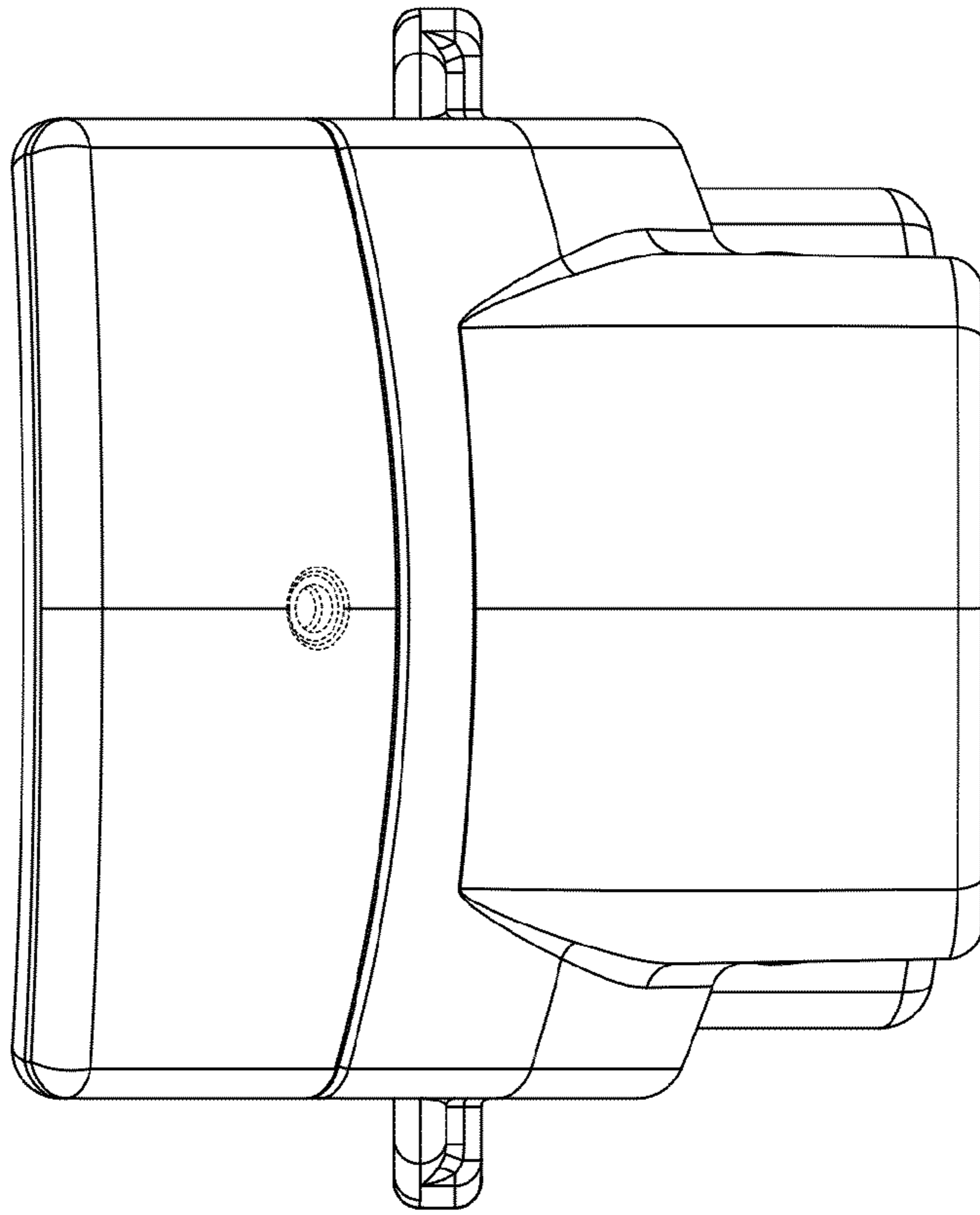
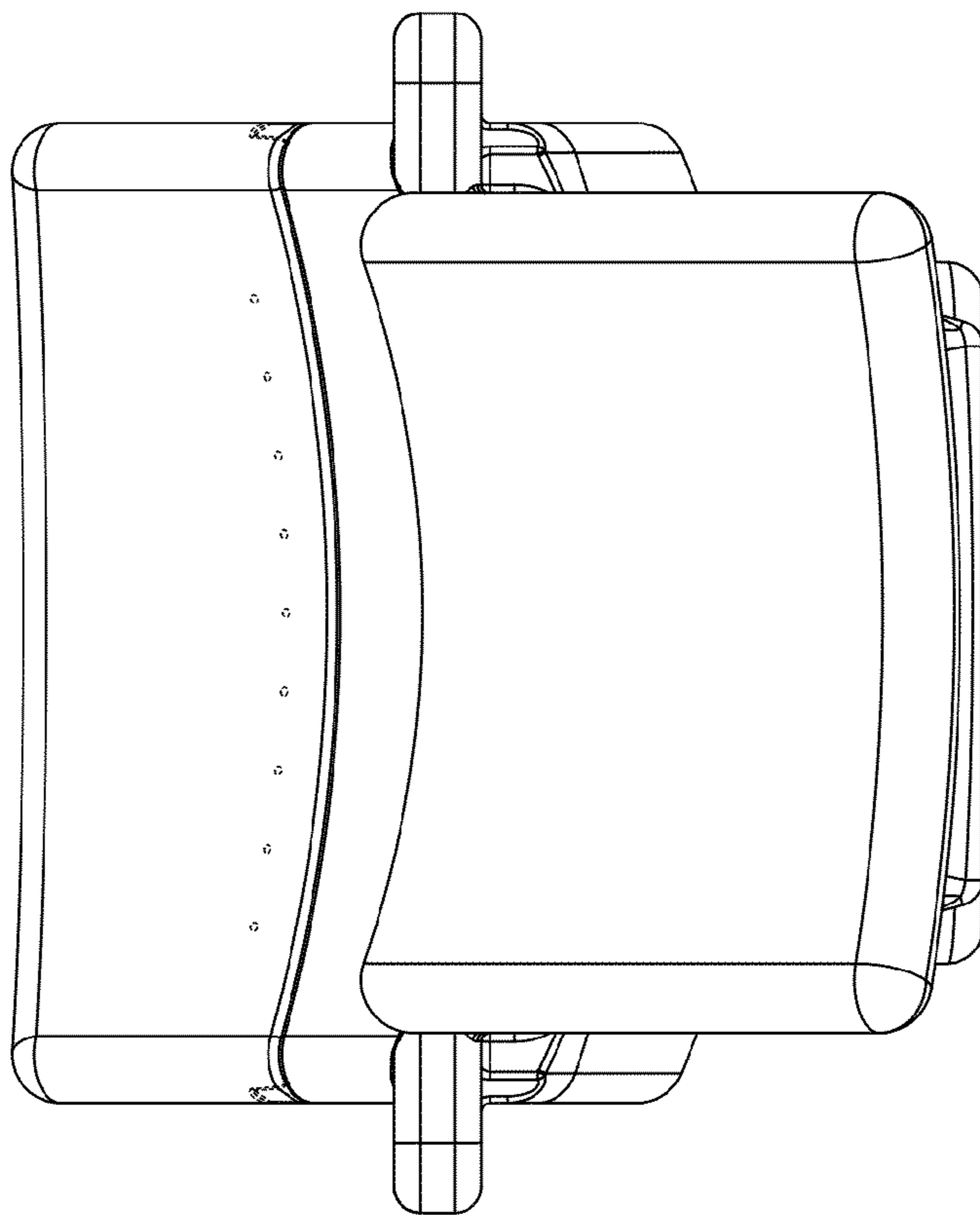


Fig. 4



*Fig. 6*



*Fig. 5*

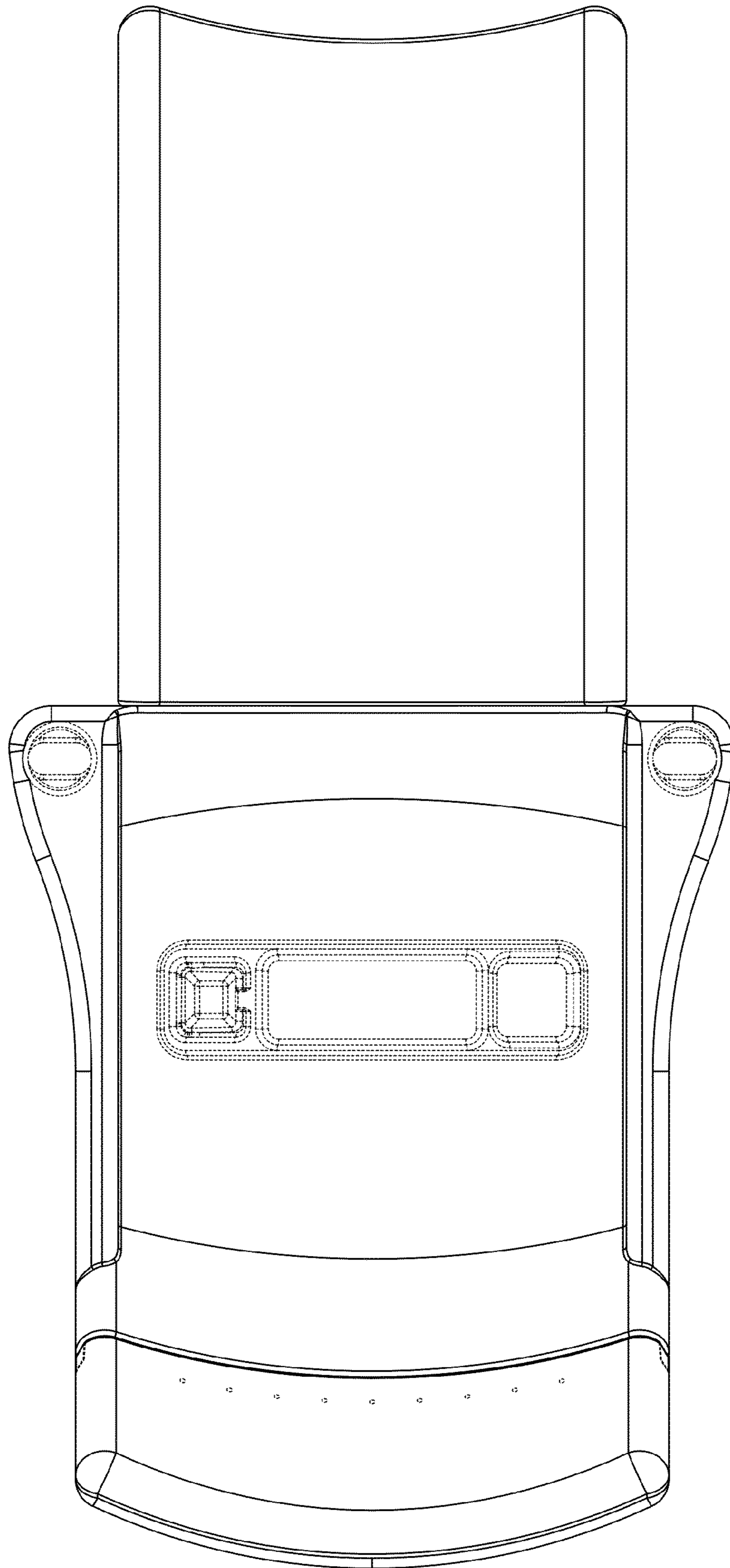


Fig. 7

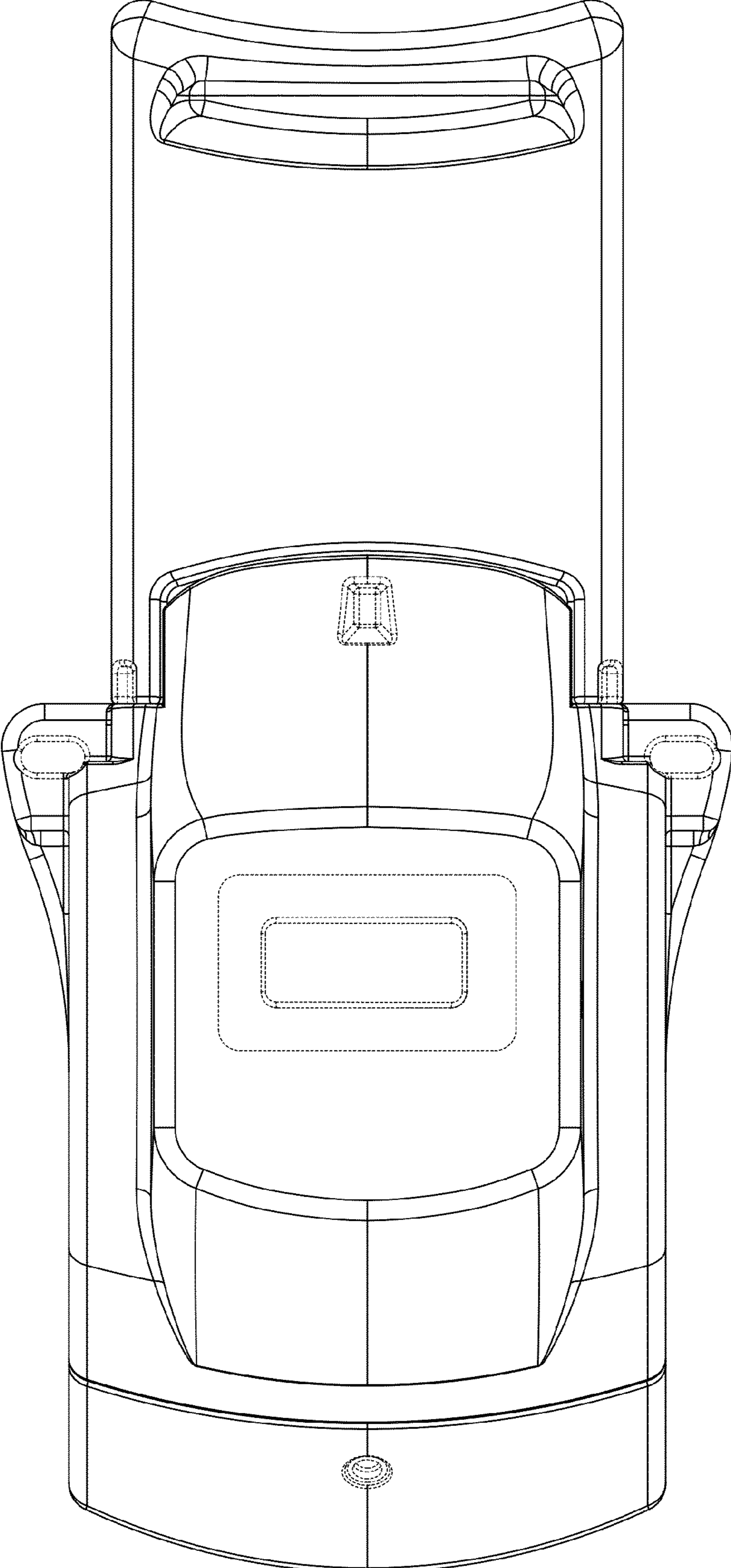


Fig. 8