



US00D703453S

(12) **United States Design Patent**
Gelman

(10) **Patent No.:** **US D703,453 S**

(45) **Date of Patent:** **** Apr. 29, 2014**

(54) **STOOL**

(71) Applicant: **Eric Gelman**, Melbourne, FL (US)

(72) Inventor: **Eric Gelman**, Melbourne, FL (US)

(**) Term: **14 Years**

(21) Appl. No.: **29/451,628**

(22) Filed: **Apr. 5, 2013**

(51) **LOC (10) Cl.** **06-01**

(52) **U.S. Cl.**
USPC **D6/349; D6/370**

(58) **Field of Classification Search**
USPC D6/330, 337, 341, 346, 349-355, 357,
D6/362, 364-373, 376, 377, 381, 645, 656,
D6/658, 665, 674, 675.5, 676, 690, 691,
D6/694, 704, 705, 707, 707.19,
D6/716.1-716.6, 717, 717.2; 297/423.12,
297/423.13, 423.37, 461, 462, 115, 116,
297/135, 160-162

See application file for complete search history.

D523,650 S * 6/2006 Skalka D6/349
D535,829 S * 1/2007 Goldstein D6/349
D575,558 S * 8/2008 Garzon D6/480
D583,577 S * 12/2008 Wicha D6/349
D668,882 S * 10/2012 Asner D6/349

OTHER PUBLICATIONS

Sojourn Asia Furniture Contemporary Teak Asia Shower Bench Size: 35". [online] Retrieved Sep. 12, 2013 from URL: <www.amazon.com/Sojourn-Furniture-Contemporary-Shower-Bench/dp/images/B009MWQ7V8>.*

* cited by examiner

Primary Examiner — Susan Bennett Hattan

Assistant Examiner — Vy Koenig

(74) *Attorney, Agent, or Firm* — Mark R. Malek; Zies Widerman & Malek

(57) **CLAIM**

The ornamental design for a stool, as shown and described.

(56) **References Cited**

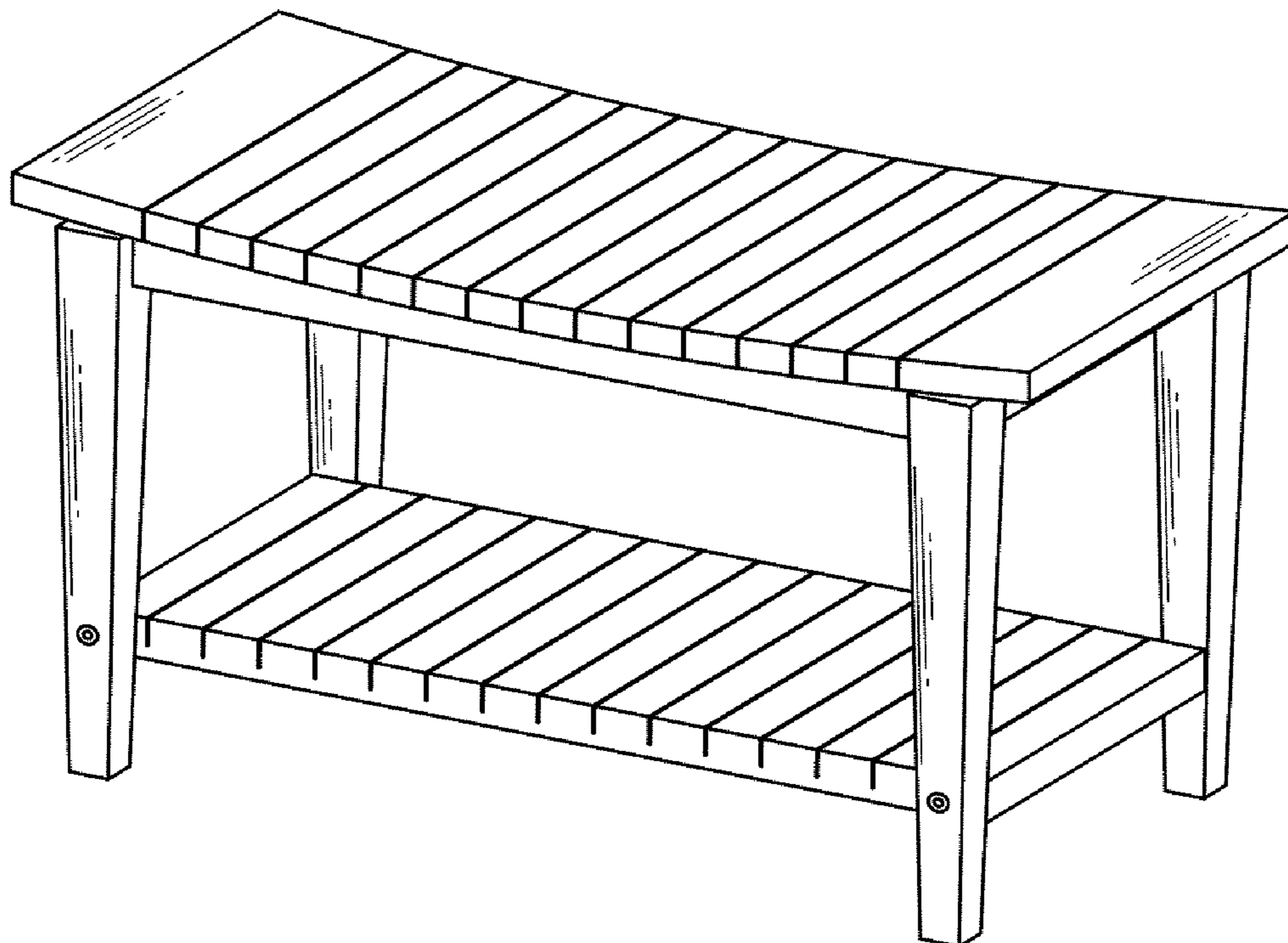
U.S. PATENT DOCUMENTS

D159,947 S * 9/1950 Bell D6/349
D178,092 S * 6/1956 Van Koert D6/349
D200,466 S * 3/1965 Eby D6/349
D303,877 S * 10/1989 Norton D6/349
D365,937 S * 1/1996 Skalka D6/370
D457,738 S * 5/2002 Slear et al. D6/355
D504,578 S * 5/2005 Moser D6/349

DESCRIPTION

FIG. 1 is a front top perspective view of a stool according to the present invention;
FIG. 2 is a front view thereof;
FIG. 3 is a top view thereof; and,
FIG. 4 is side view thereof.

1 Claim, 2 Drawing Sheets



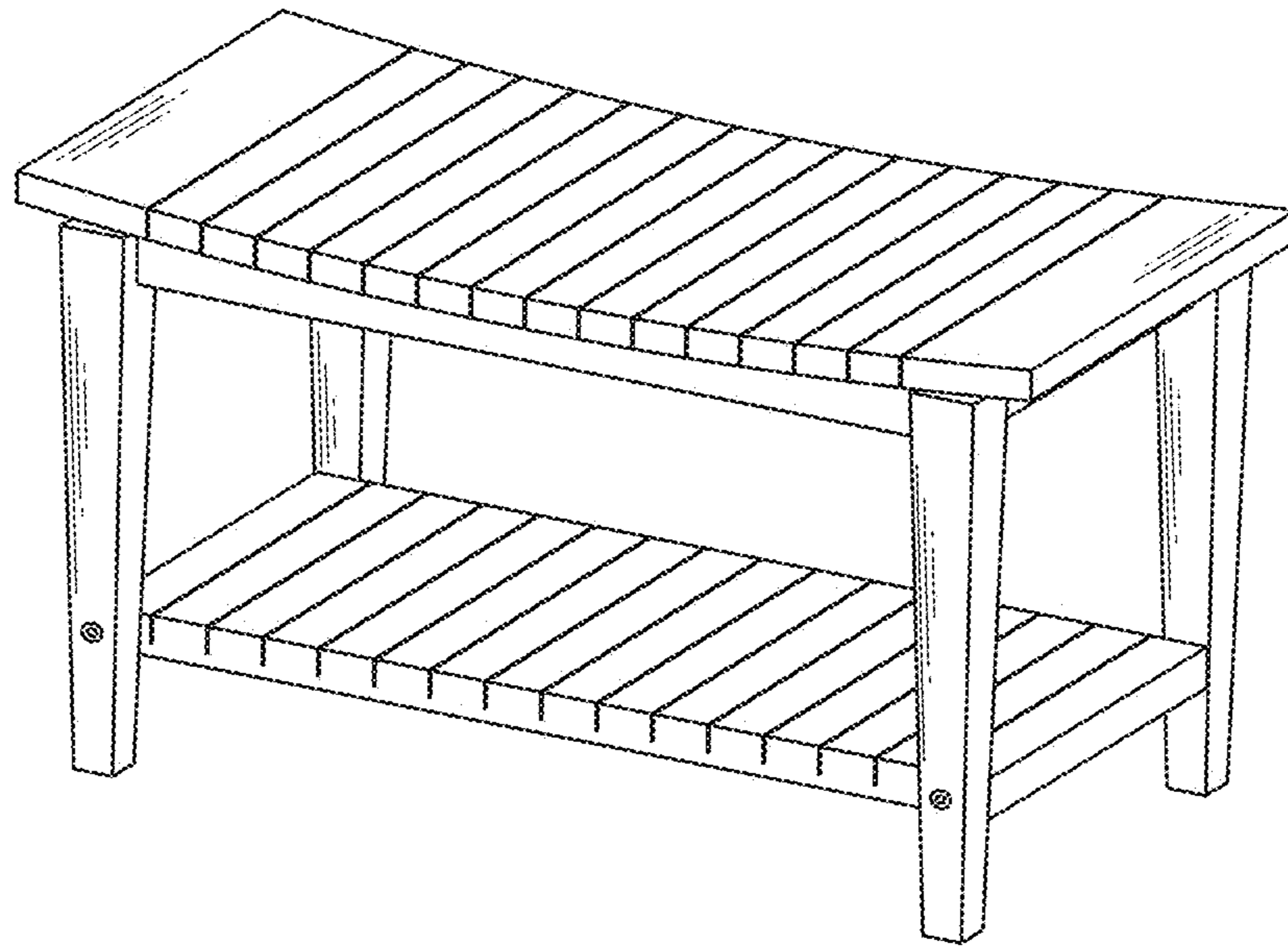


Fig. 1

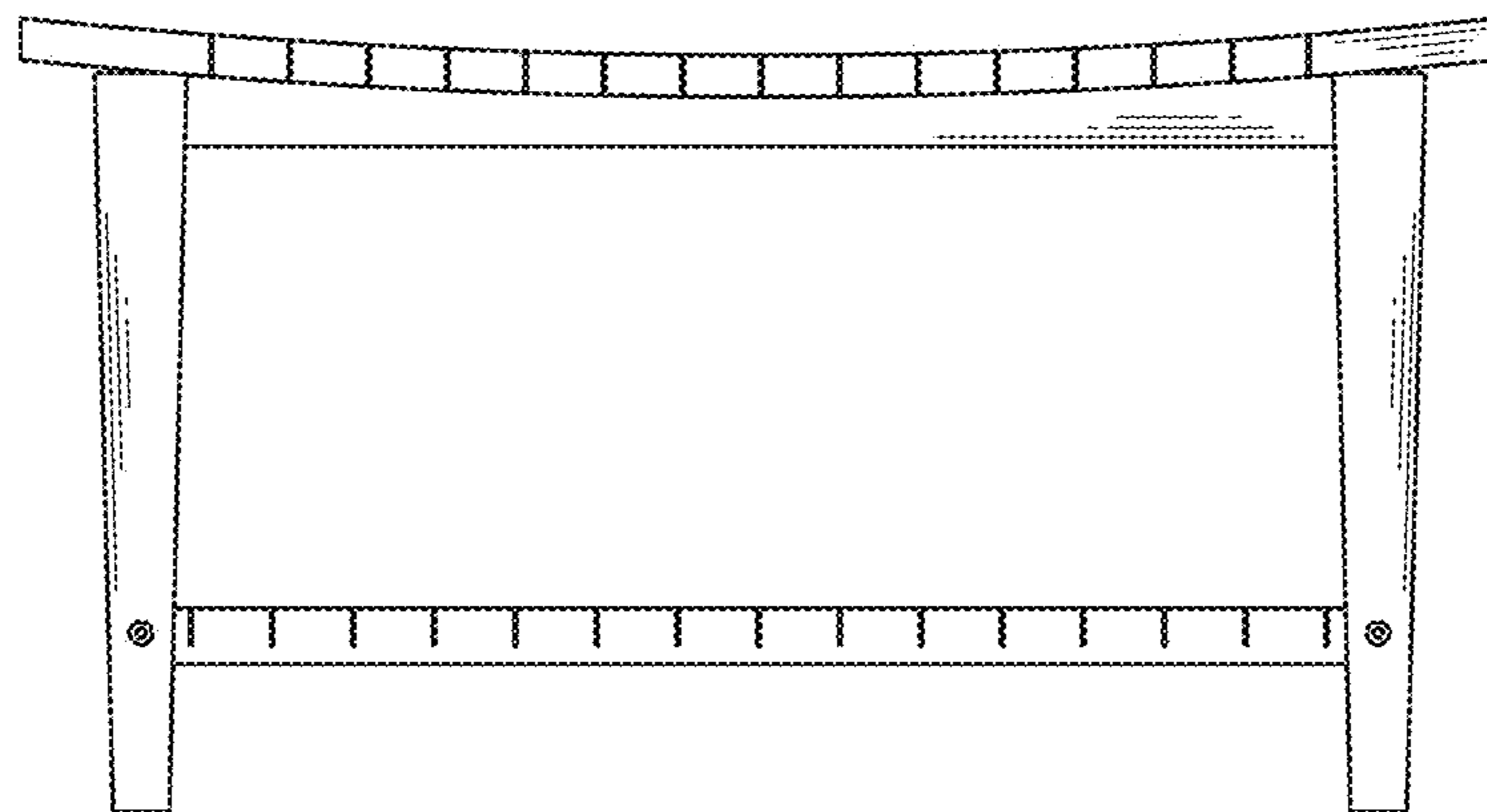


Fig. 2

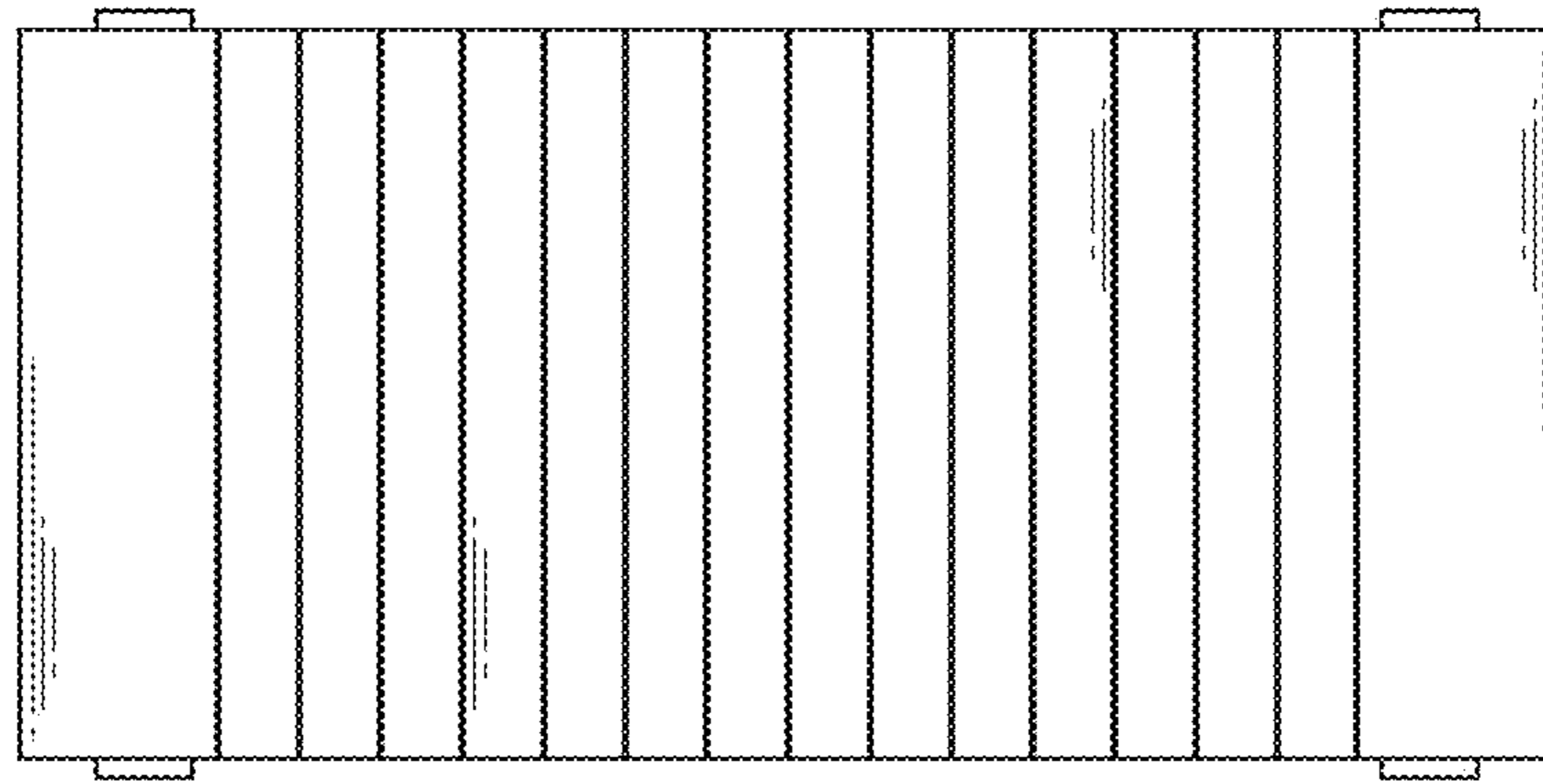


Fig. 3

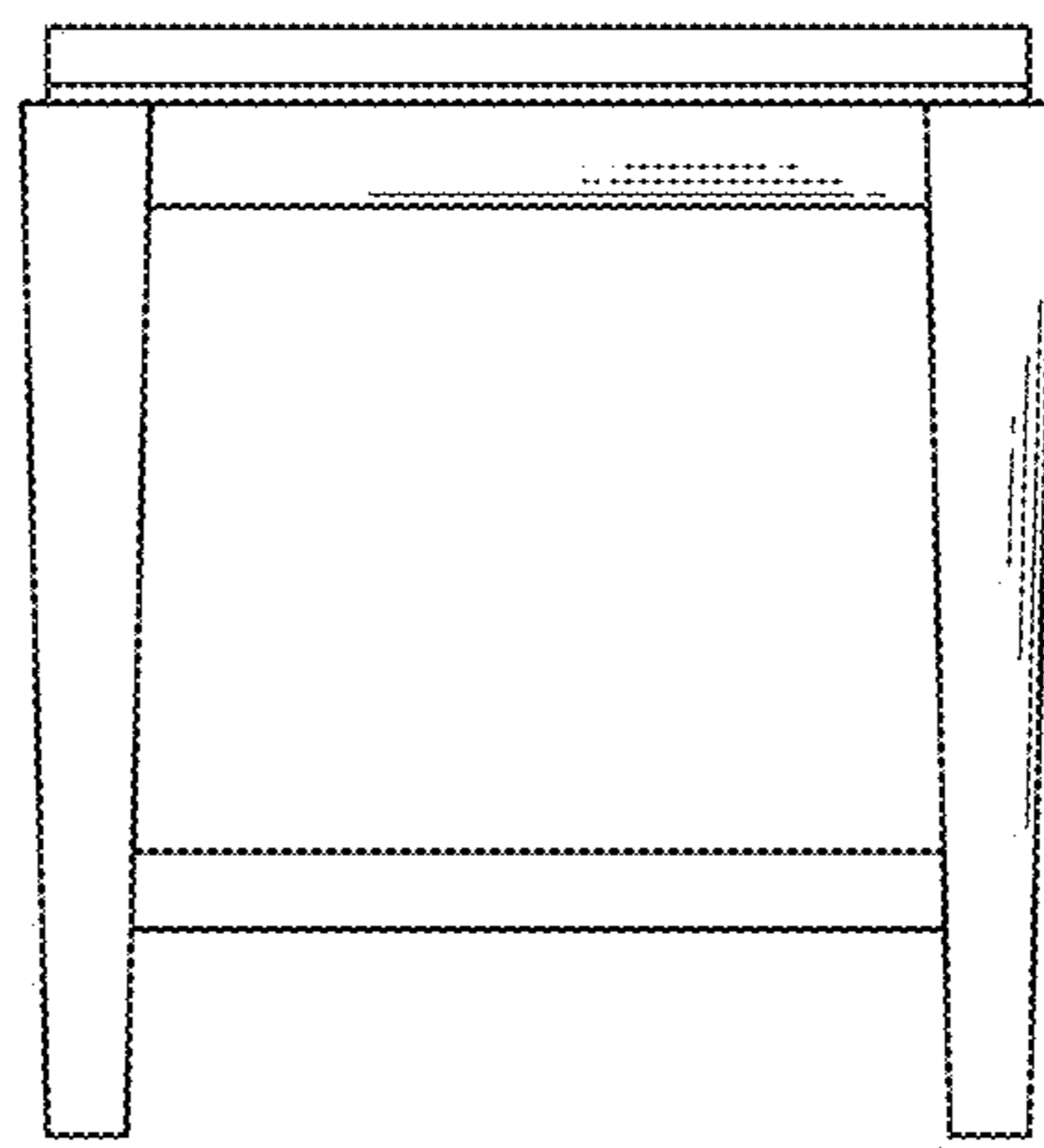


Fig. 4