



US00D703451S

(12) **United States Design Patent**  
**Gelman**

(10) **Patent No.:** **US D703,451 S**

(45) **Date of Patent:** **\*\* Apr. 29, 2014**

(54) **STOOL**

(71) Applicant: **Eric Gelman**, Melbourne, FL (US)

(72) Inventor: **Eric Gelman**, Melbourne, FL (US)

(\*\*) Term: **14 Years**

(21) Appl. No.: **29/451,626**

(22) Filed: **Apr. 5, 2013**

(51) **LOC (10) Cl.** ..... **06-01**

(52) **U.S. Cl.**

USPC ..... **D6/349**; D6/370

(58) **Field of Classification Search**

USPC ..... D6/330, 337, 341, 346, 349-355, 357,  
D6/362, 364-373, 376, 377, 381, 645, 656,  
D6/658, 665, 674, 675.5, 676, 690, 691,  
D6/694, 704, 705, 707, 707.19,  
D6/716.1-716.6, 717, 717.2; 297/423.12,  
297/423.13, 423.37, 461, 462, 115, 116,  
297/135, 160-162

See application file for complete search history.

(56) **References Cited**

**U.S. PATENT DOCUMENTS**

D159,947 S *	9/1950	Bell	.....	D6/349
D178,092 S *	6/1956	Van Koert	.....	D6/349
D200,466 S *	3/1965	Eby	.....	D6/349
D303,877 S *	10/1989	Norton	.....	D6/349
D365,937 S *	1/1996	Skalka	.....	D6/370
D457,738 S *	5/2002	Slear et al.	.....	D6/355

D504,578 S *	5/2005	Moser	.....	D6/349
D523,650 S *	6/2006	Skalka	.....	D6/349
D535,829 S *	1/2007	Goldstein	.....	D6/349
D575,558 S *	8/2008	Garzon	.....	D6/480
D583,577 S *	12/2008	Wicha	.....	D6/349
D668,882 S *	10/2012	Asner	.....	D6/349

**OTHER PUBLICATIONS**

Teak Traditional Shower Seat. [online] Retrieved Sep. 12, 2013 from URL: <<http://www.vissbiz.com/teak-shower-seat-perfect-bathroom-accessories/teak-traditional-shower-seat/>>.\*

30" Tranquility Asia Teak Shower Bench. [online] Retrieved Sep. 12, 2013 from URL: <<http://www.decoteak.com/asia/teak/shower/bench/tranquility/30>>.\*

\* cited by examiner

*Primary Examiner* — Susan Bennett Hattan

*Assistant Examiner* — Vy Koenig

(74) *Attorney, Agent, or Firm* — Mark R. Malek; Zies Widerman & Malek

(57) **CLAIM**

The ornamental design for a stool, as shown and described.

**DESCRIPTION**

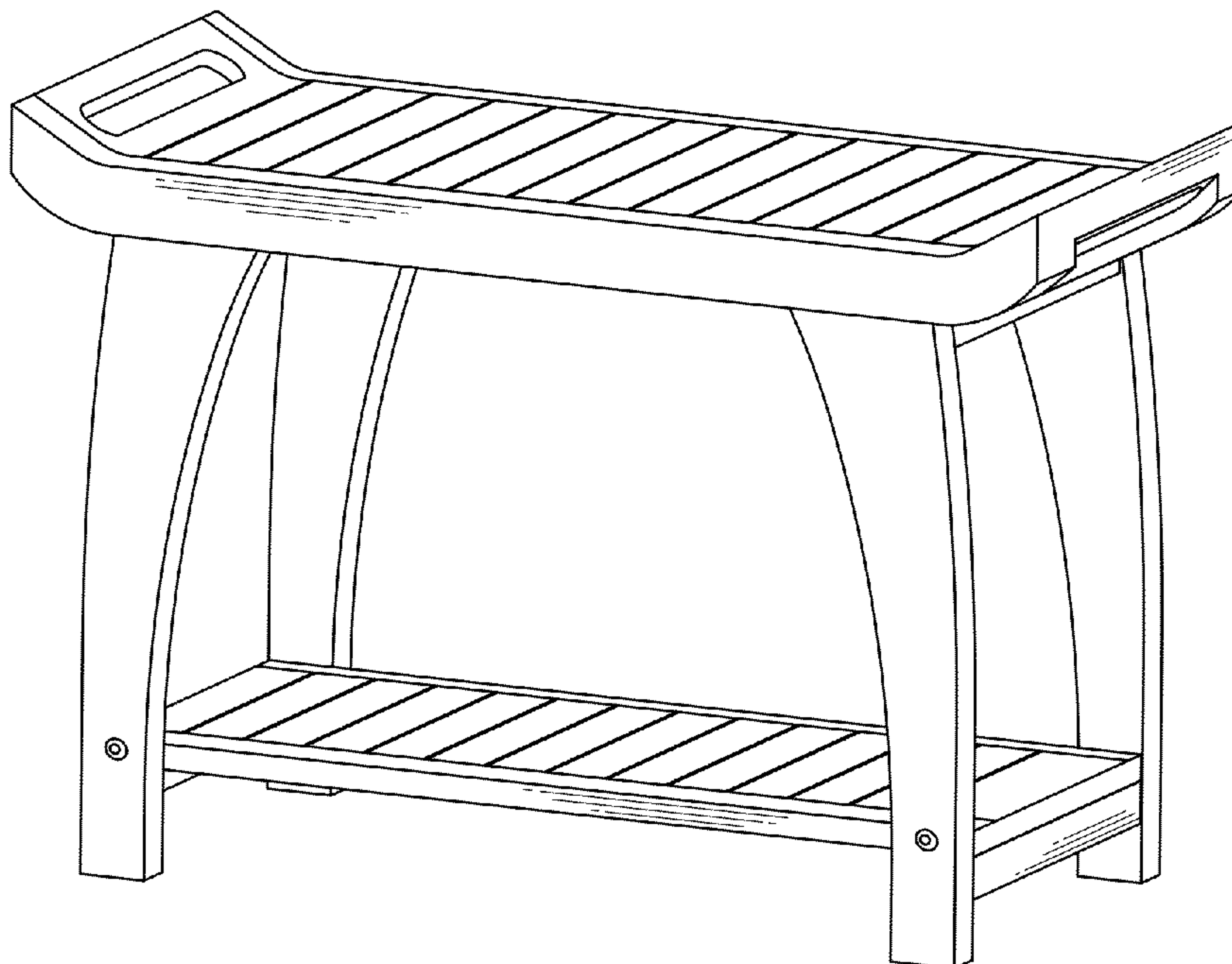
FIG. 1 is a front top perspective view of a stool according to the present invention;

FIG. 2 is a front view of the stool illustrated in FIG. 1.

FIG. 3 is a top view of the stool illustrated in FIG. 1; and,

FIG. 4 is side view of the stool illustrated in FIG. 1.

**1 Claim, 2 Drawing Sheets**



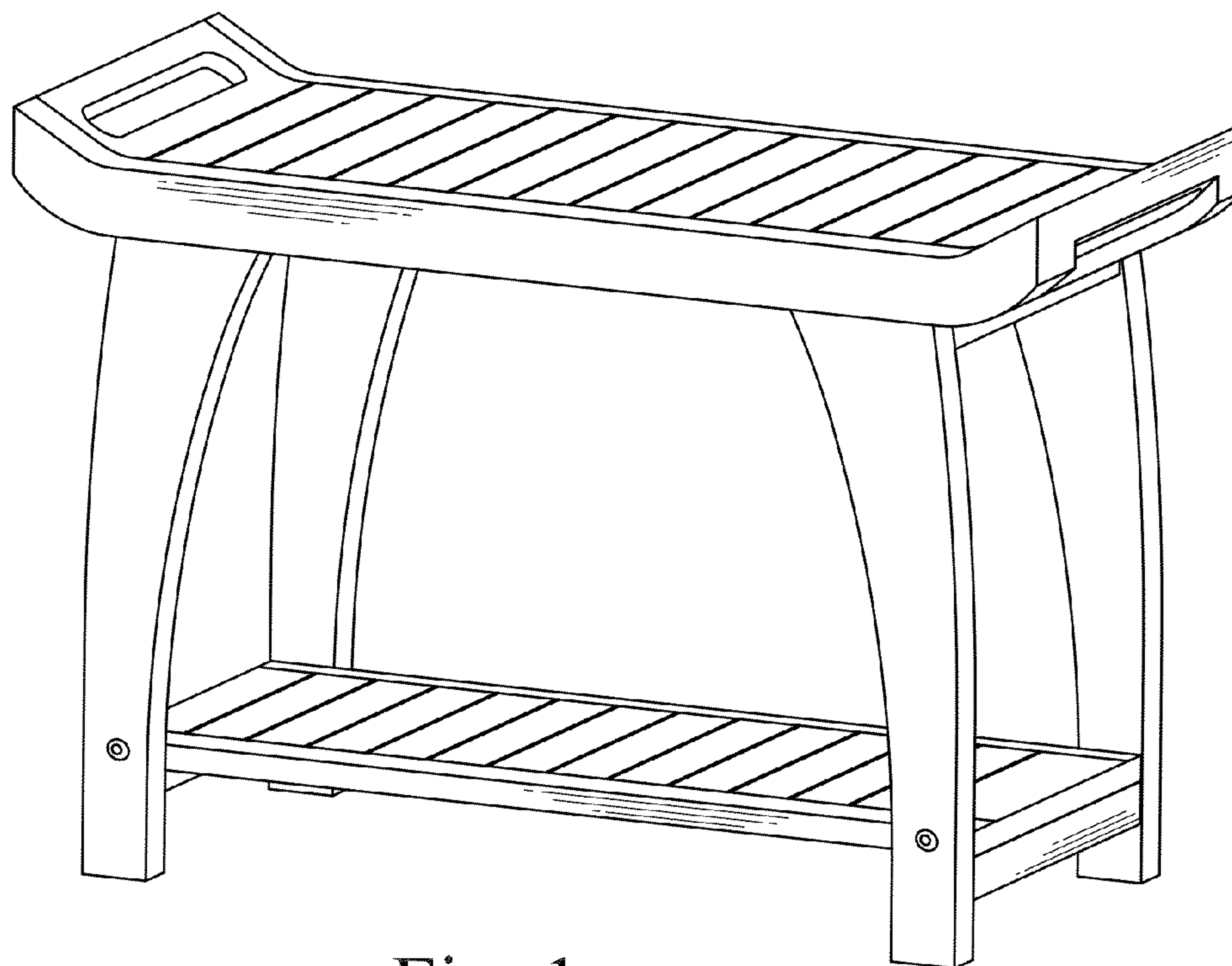


Fig. 1

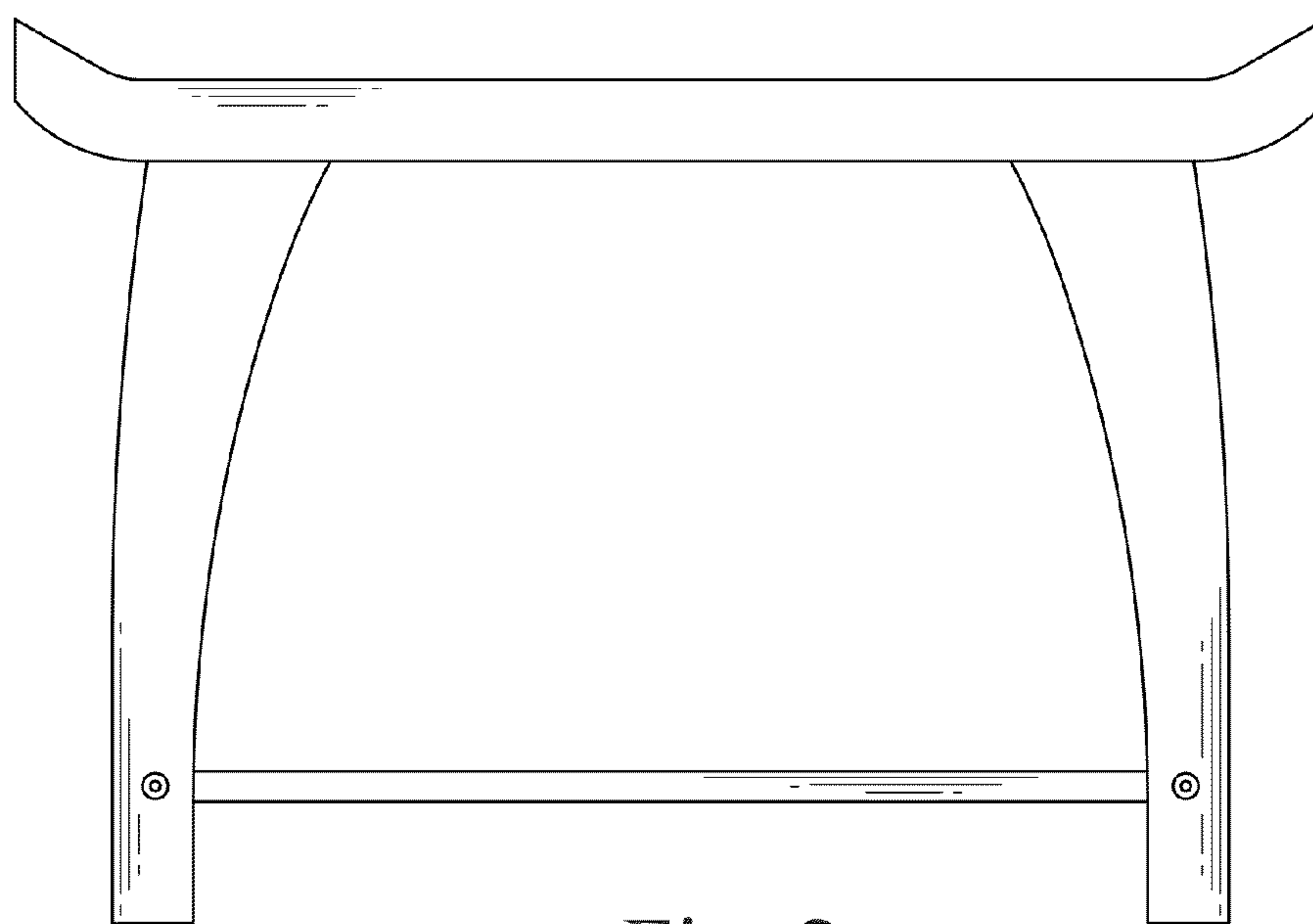


Fig. 2

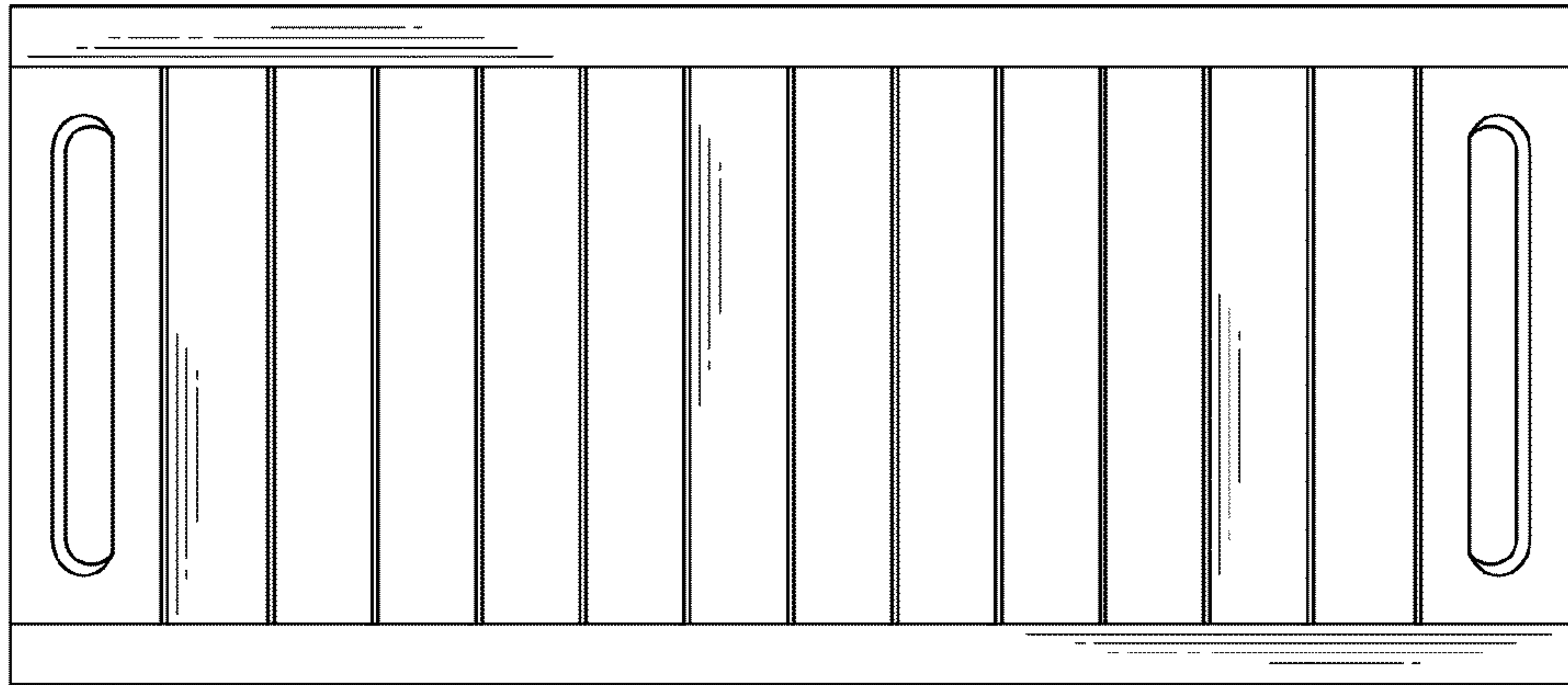


Fig. 3

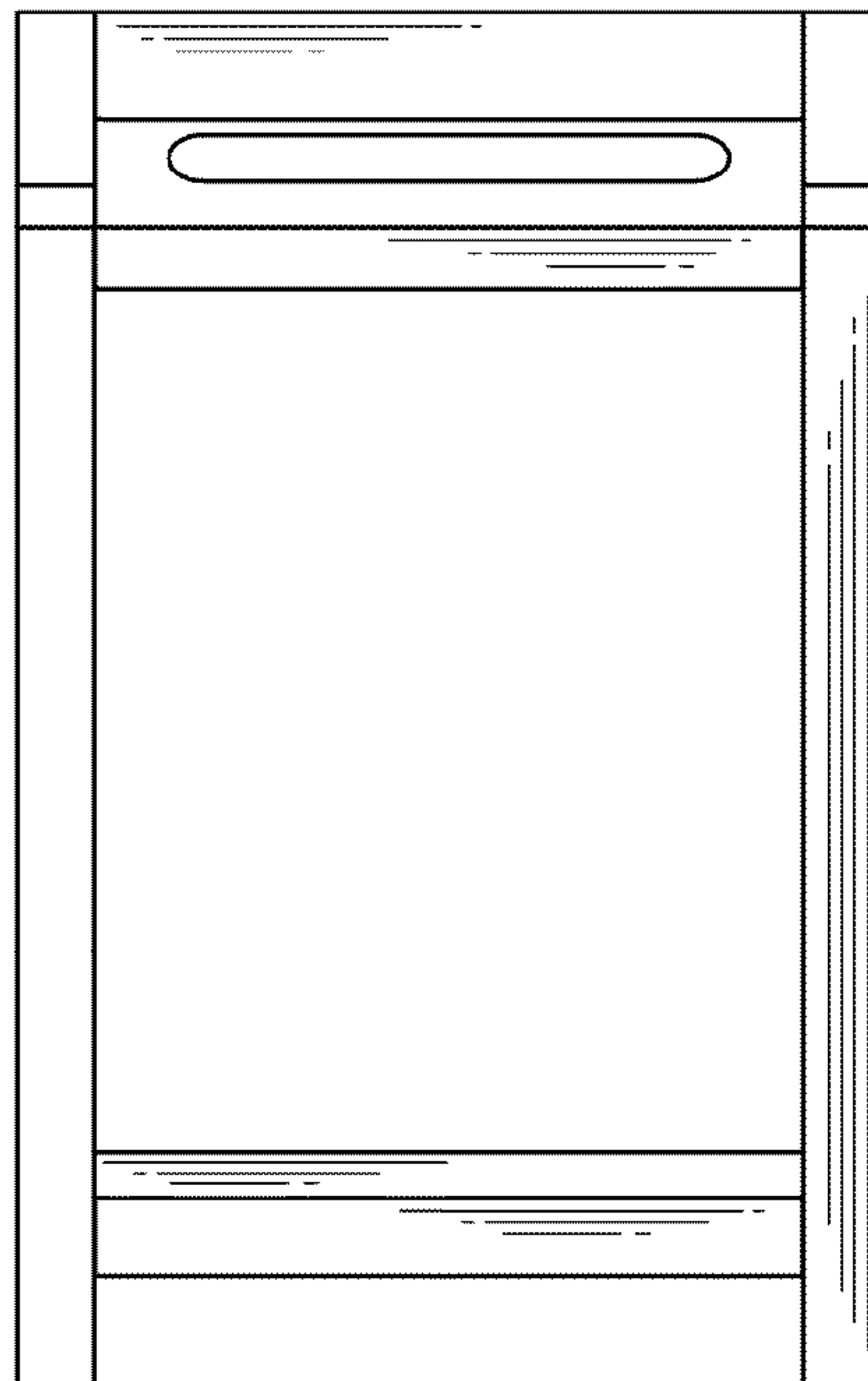


Fig. 4