



US00D703450S

(12) **United States Design Patent**
Gelman

(10) **Patent No.:** **US D703,450 S**
(45) **Date of Patent:** **** Apr. 29, 2014**

(54) **SHOWER BENCH**

(71) Applicant: **Eric Gelman**, Melbourne, FL (US)

(72) Inventor: **Eric Gelman**, Melbourne, FL (US)

(**) Term: **14 Years**

(21) Appl. No.: **29/436,964**

(22) Filed: **Nov. 11, 2012**

(51) **LOC (10) Cl.** **06-01**

(52) **U.S. Cl.**
USPC **D6/349; D6/370**

(58) **Field of Classification Search**
USPC D6/330, 337, 341, 346, 349–355, 357,
D6/362, 364–373, 376, 377, 381, 645, 656,
D6/658, 665, 674, 675.5, 676, 690, 691,
D6/694, 704, 705, 707, 707.19,
D6/716.1–716.6, 717, 717.2; 297/423.12,
297/423.13, 423.37, 461, 462, 115, 116,
297/135, 160–162

See application file for complete search history.

(56) **References Cited**

U.S. PATENT DOCUMENTS

D159,947 S *	9/1950	Bell	D6/349
D178,092 S *	6/1956	Van Koert	D6/349
D200,466 S *	3/1965	Eby	D6/349
D303,877 S *	10/1989	Norton	D6/349
D555,919 S *	11/2007	Baade et al.	D6/349
D575,558 S *	8/2008	Garzon	D6/480
D583,577 S *	12/2008	Wicha	D6/349
D624,335 S *	9/2010	Lutz et al.	D6/480
D668,882 S *	10/2012	Asner	D6/349

OTHER PUBLICATIONS

Serenity Teak Asian Design Shower Bench—29" Extended Length.
[online] Retrieved Sep. 5, 2013 from URL: <<http://www.decoteak.com/teak/shower/bench/asia/29>>.*

* cited by examiner

Primary Examiner — Susan Bennett Hattan

Assistant Examiner — Vy Koenig

(74) *Attorney, Agent, or Firm* — Mark R. Malek; Zies
Widerman & Malek

(57) **CLAIM**

The ornamental design for a shower bench, as shown and described.

DESCRIPTION

FIG. 1 is a side top perspective view of a shower bench according to the present invention;

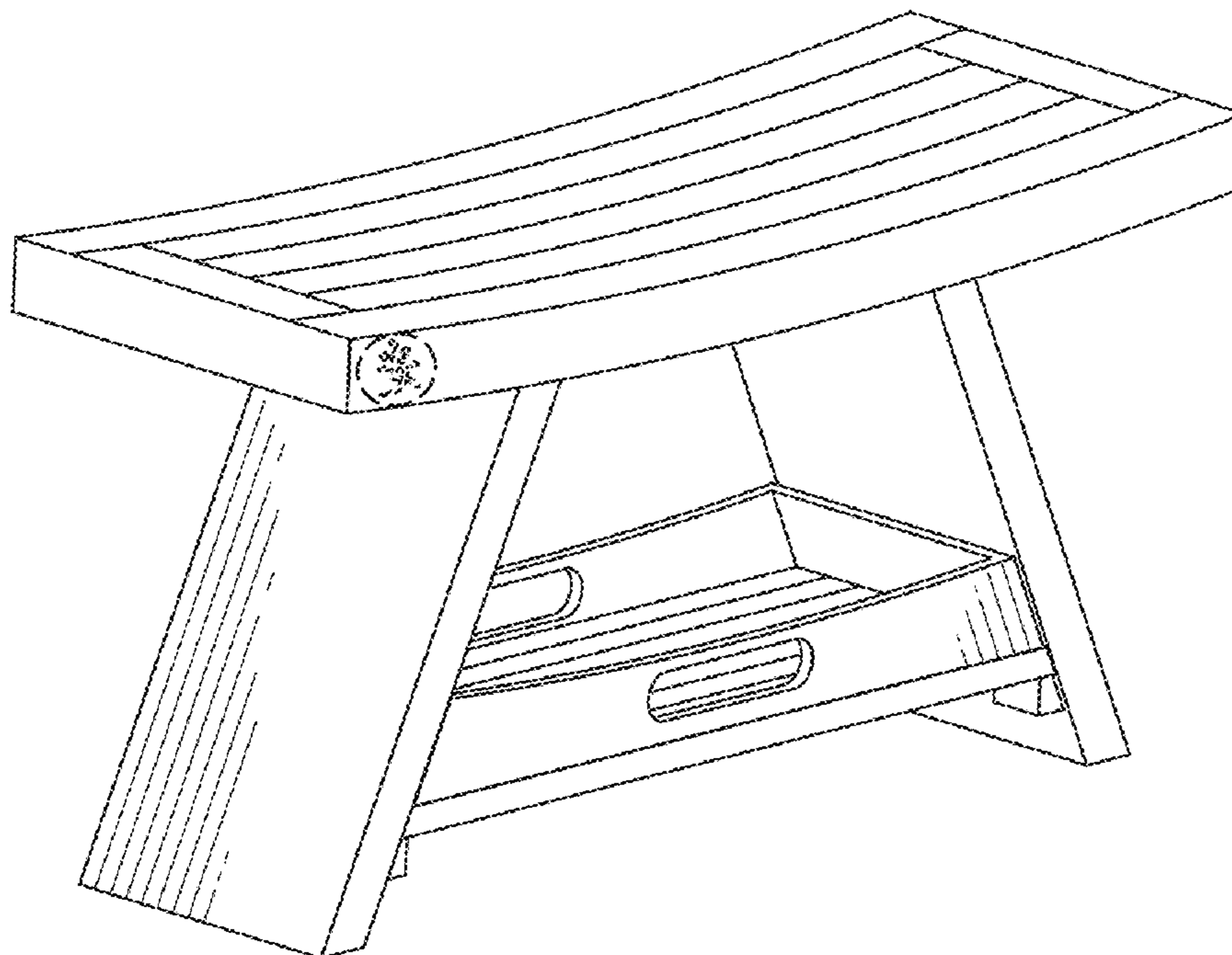
FIG. 2 is a side top perspective view of the shower bench illustrated in FIG. 1 in an alternate configuration with the tray removed;

FIG. 3 is a front view of the shower bench illustrated in FIG. 1.

FIG. 4 is a top view of the shower bench illustrated in FIG. 1. FIG. 5 is bottom view of the shower bench illustrated in FIG. 1; and,

FIG. 6 is side view of the shower bench illustrated in FIG. 1. The broken lines shown in FIGS. 1-3 and 6 depict environmental features that form no part of the claimed design.

1 Claim, 2 Drawing Sheets



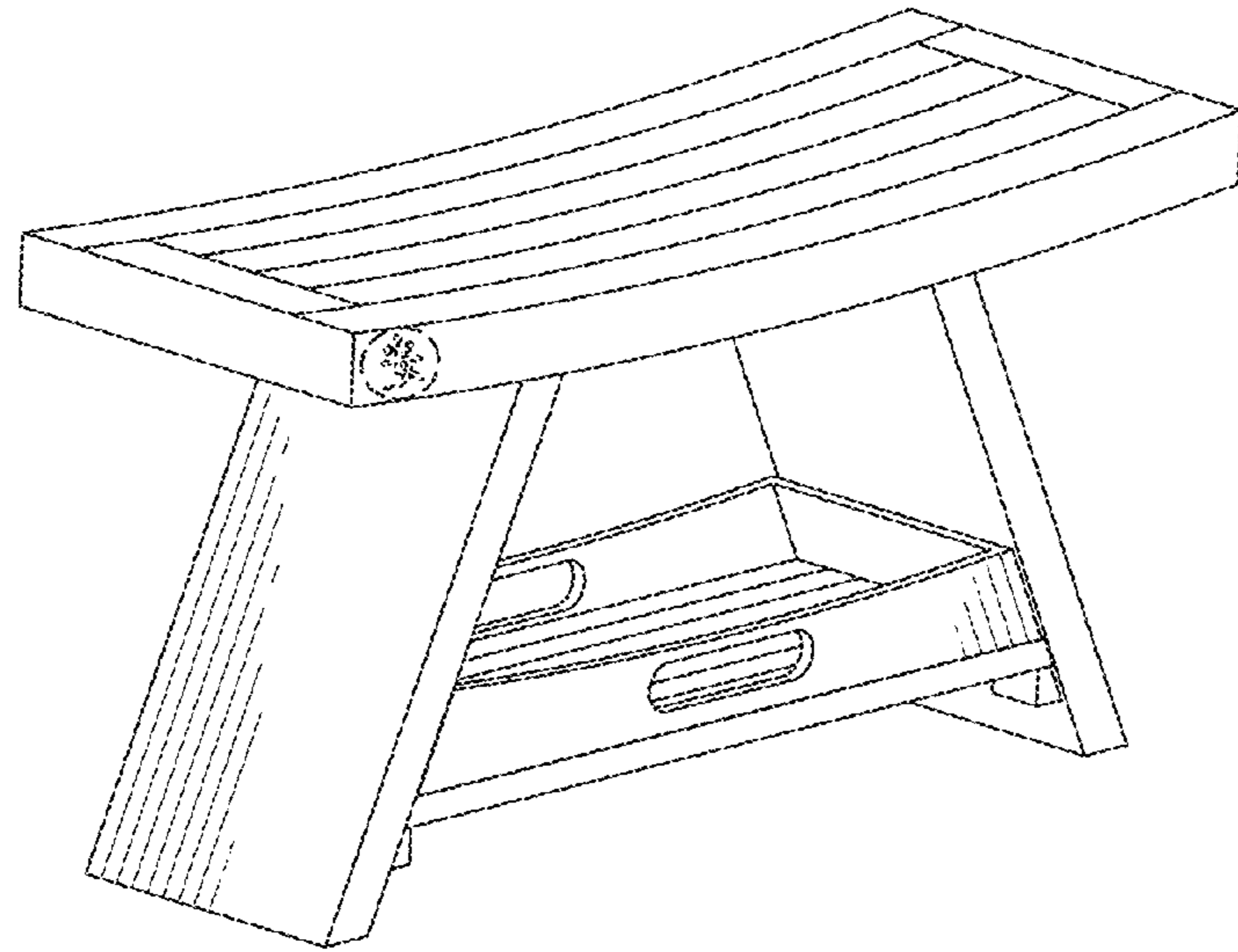


Fig. 1

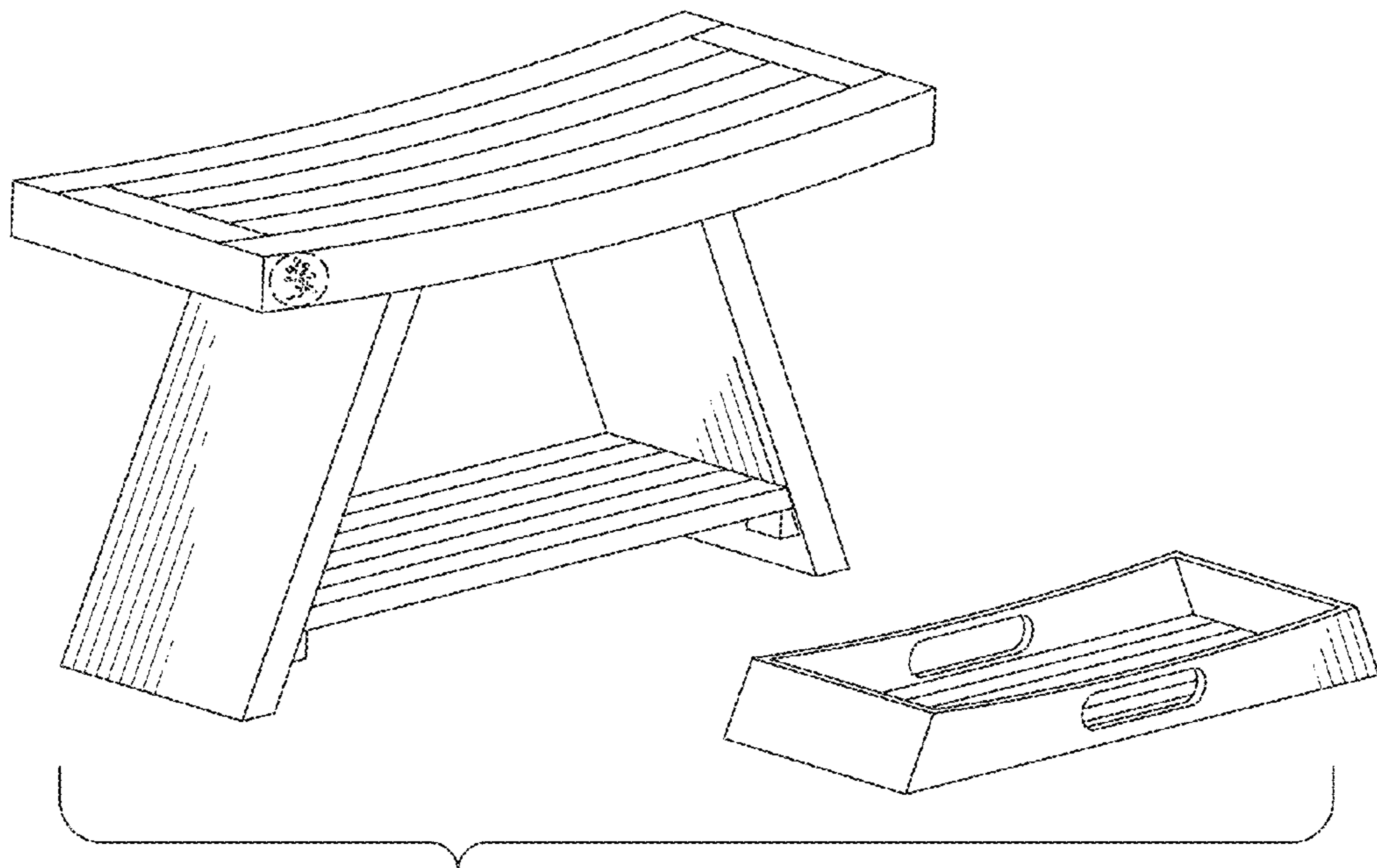


Fig. 2

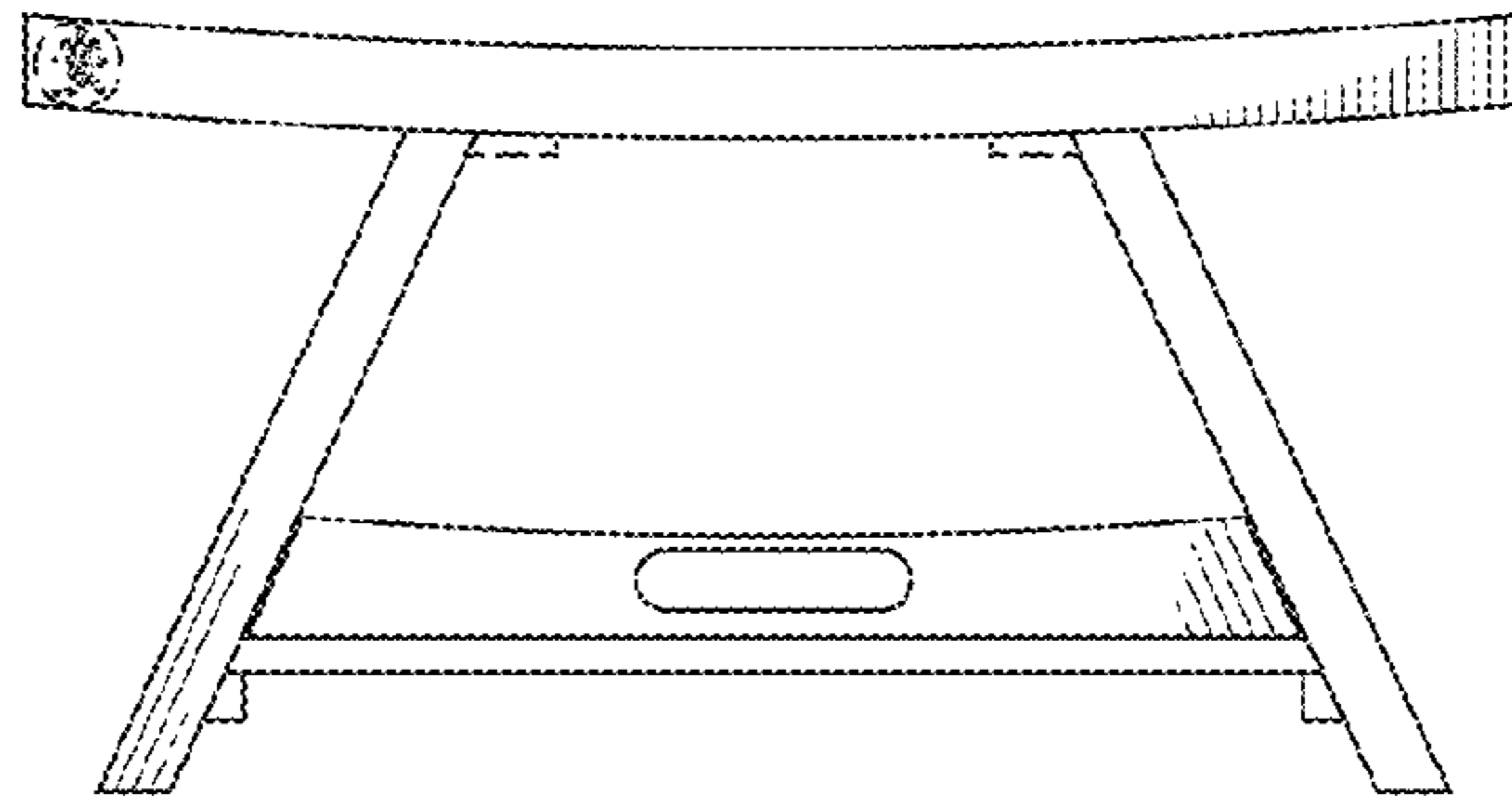


Fig. 3

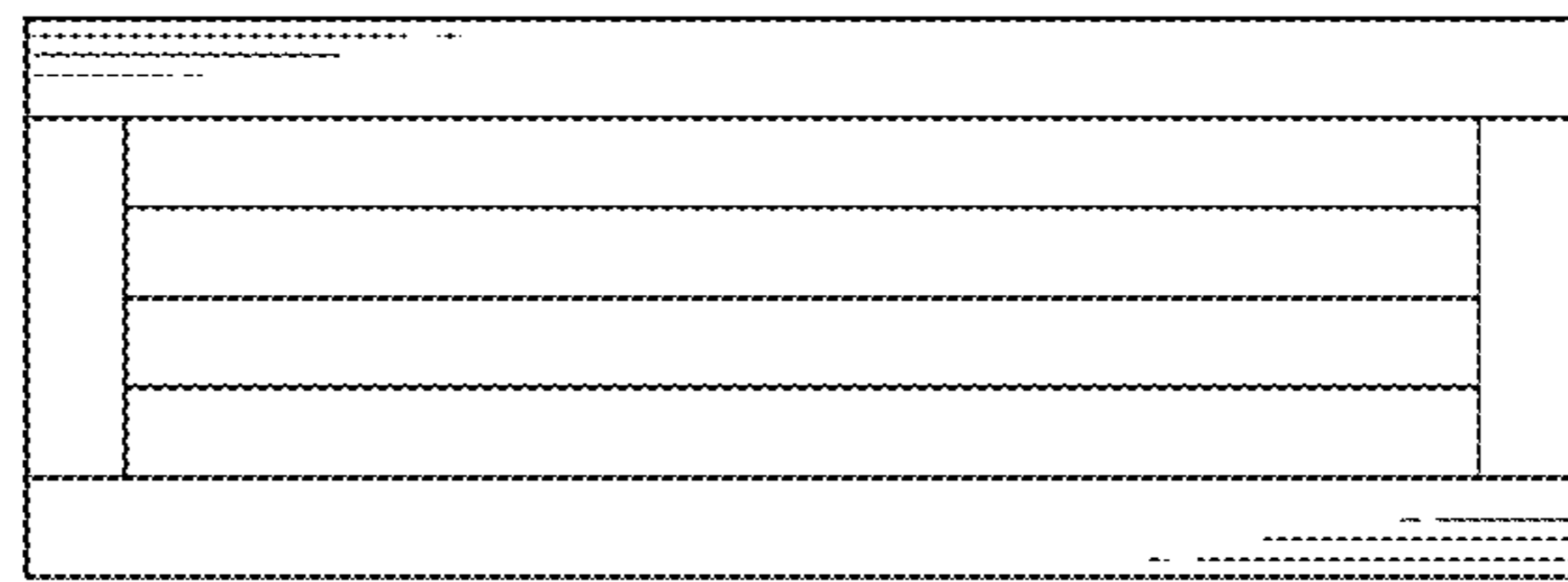


Fig. 4

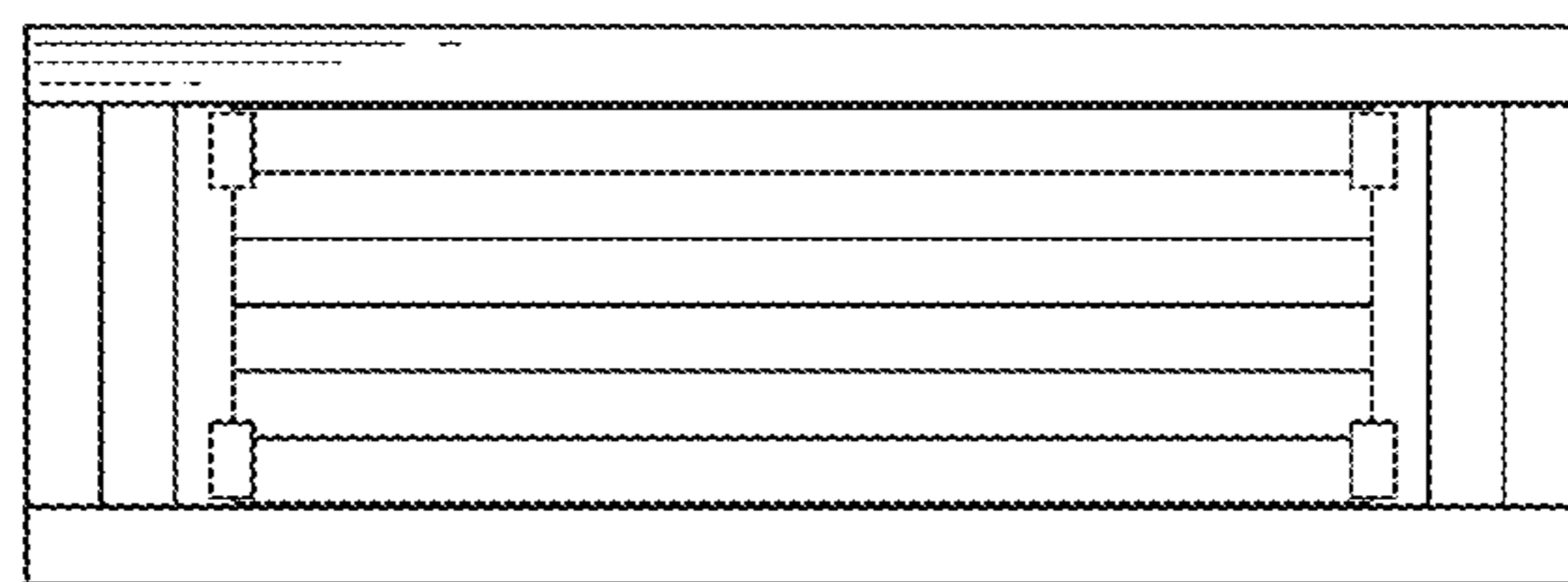


Fig. 5

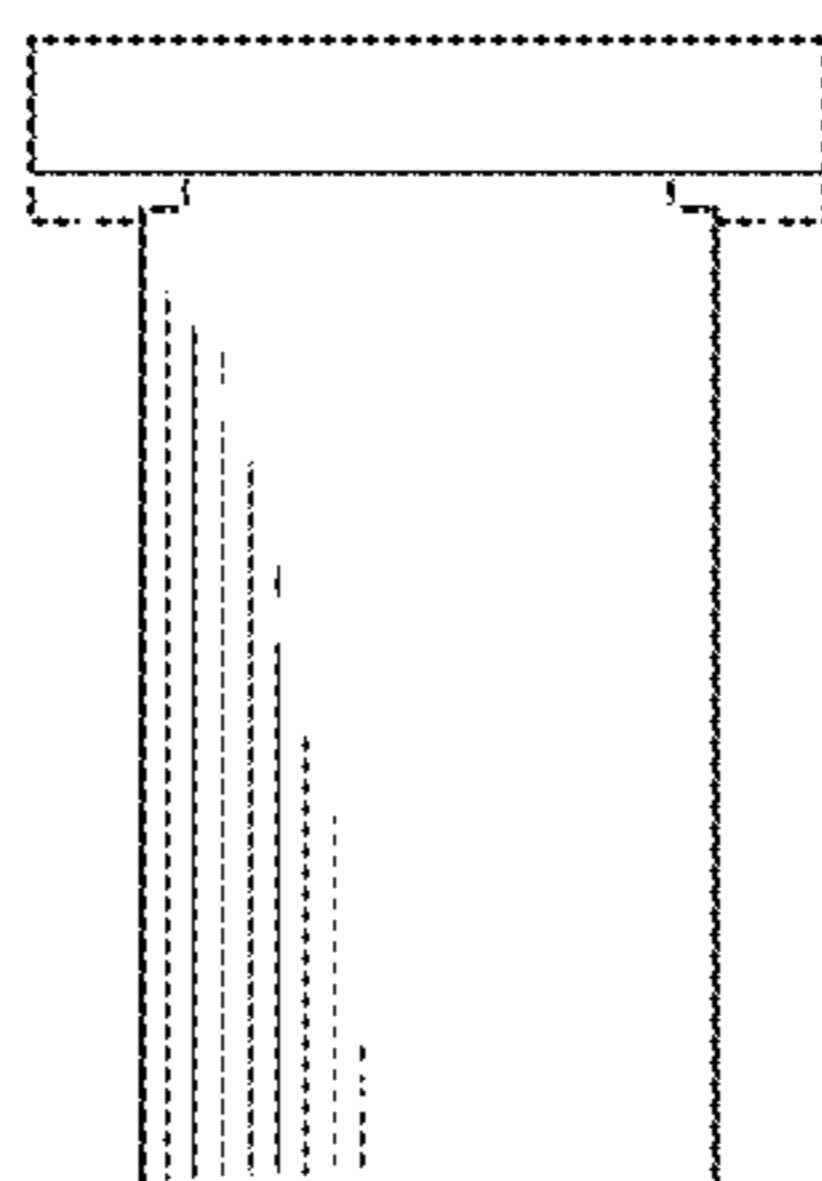


Fig. 6