



US00D703449S

(12) **United States Design Patent**  
**Collings**

(10) **Patent No.:** **US D703,449 S**  
(45) **Date of Patent:** **\*\* Apr. 29, 2014**

(54) **HANGER**

(75) Inventor: **Richard Collings**, Bristol (GB)

(73) Assignee: **Phineas Products Ltd**, Bedminster,  
Bristol, Avon (GB)

(\*\*) Term: **14 Years**

(21) Appl. No.: **29/431,329**

(22) Filed: **Sep. 6, 2012**

(30) **Foreign Application Priority Data**

Mar. 6, 2012 (EM) ..... 002003962-0001  
Mar. 6, 2012 (EM) ..... 002003962-0002  
Mar. 6, 2012 (EM) ..... 002003962-0003  
Mar. 6, 2012 (EM) ..... 002003962-0004  
Mar. 6, 2012 (EM) ..... 002003962-0005

(51) **LOC (10) Cl.** ..... **06-08**

(52) **U.S. Cl.**  
USPC ..... **D6/323**

(58) **Field of Classification Search**  
USPC ..... D6/315-328; 223/85-98; 211/1, 13.1,  
211/85.3, 86.01, 105.2, 106.1, 123, 124,  
211/183; 248/317, 339  
See application file for complete search history.

(56) **References Cited**

**U.S. PATENT DOCUMENTS**

834,188 A \* 10/1906 Carr ..... 24/716  
D226,752 S \* 4/1973 Naoyuki ..... D8/373

(Continued)

**FOREIGN PATENT DOCUMENTS**

FR 2690324 A1 10/1993  
FR 2722964 A1 2/1996

(Continued)

**OTHER PUBLICATIONS**

Design U.S. Appl. No. 13/768,701, filed Feb. 15, 2013.

(Continued)

*Primary Examiner* — Derrick Holland

*Assistant Examiner* — Lauren Calve

(74) *Attorney, Agent, or Firm* — King & Schickli, PLLC

(57) **CLAIM**

The ornamental design for a hanger, as shown and described.

**DESCRIPTION**

FIG. 1 is a perspective view of a first embodiment of the hanger;

FIG. 2 is a front view of the hanger of FIG. 1;

FIG. 3 is a rear perspective view of the hanger of FIG. 1;

FIG. 4 is a rear view of the hanger of FIG. 1;

FIG. 5 is a right side view of the hanger of FIG. 1;

FIG. 6 is a perspective view of a second embodiment of the hanger;

FIG. 7 is a front view of the hanger of FIG. 6;

FIG. 8 is a rear view of the hanger of FIG. 6;

FIG. 9 is a side view of the hanger of FIG. 6;

FIG. 10 is a perspective view of a third embodiment of the hanger;

FIG. 11 is a front view of the hanger of FIG. 10;

FIG. 12 is a rear perspective view of the hanger of FIG. 10;

FIG. 13 is a rear view of the hanger of FIG. 10;

FIG. 14 is a right side view of the hanger of FIG. 10;

FIG. 15 is a perspective view of a fourth embodiment of the hanger;

FIG. 16 is a front view of the hanger of FIG. 15;

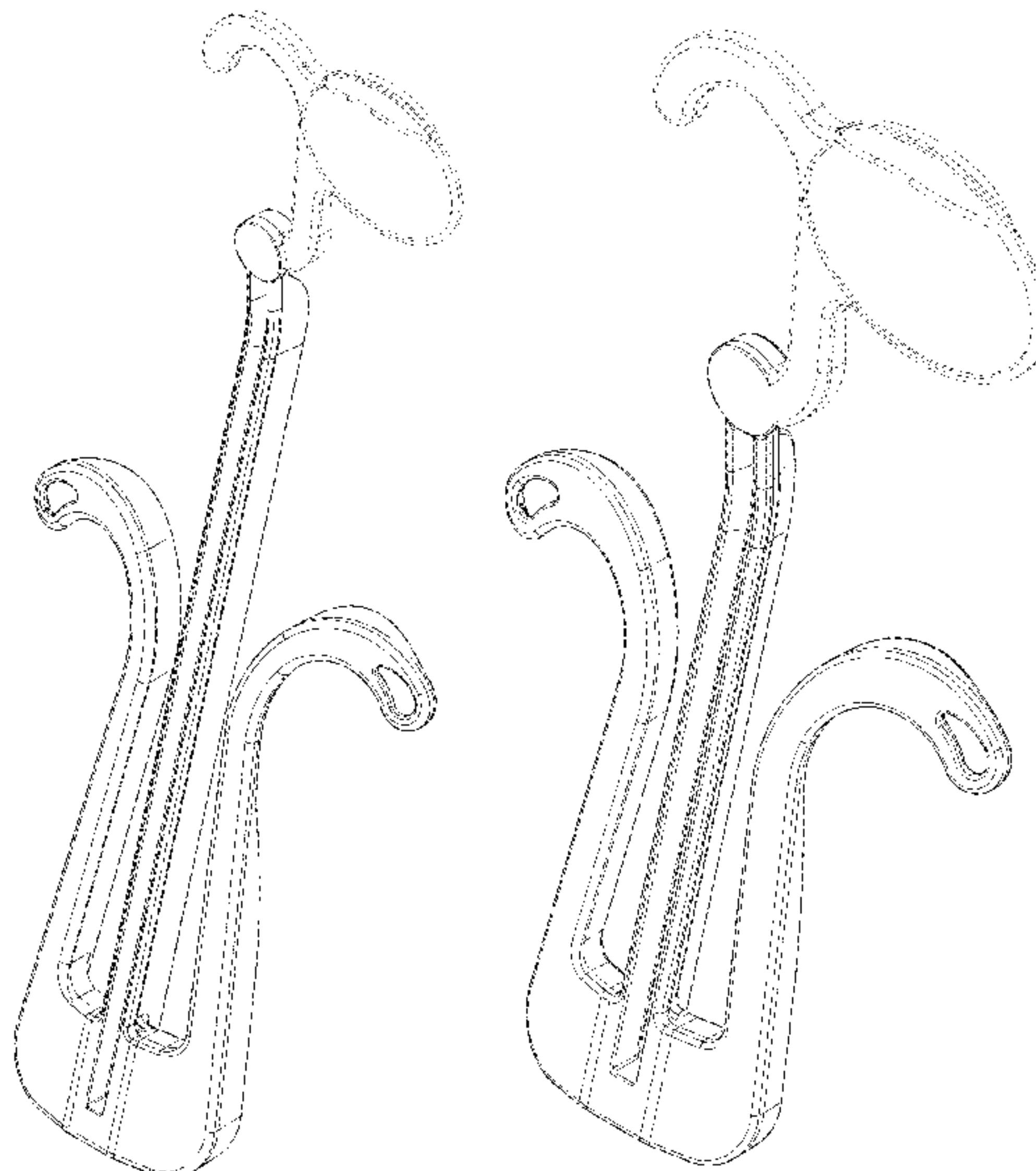
FIG. 17 is a rear perspective view of the hanger of FIG. 15;

FIG. 18 is a rear view of the hanger of FIG. 15; and,

FIG. 19 is a right side view of the hanger of FIG. 15.

The broken line showing of the hanger represents unclaimed subject matter and forms no part of the claimed design.

**1 Claim, 19 Drawing Sheets**



(56)

**References Cited**

U.S. PATENT DOCUMENTS

D229,001 S *	11/1973	Wahl .....	D6/317
D246,083 S *	10/1977	Auersperg .....	D6/315
D251,891 S *	5/1979	Solomon .....	D6/315
D296,046 S	6/1988	Marshall	
4,823,962 A	4/1989	Arias	
4,978,043 A	12/1990	Uke	
D323,072 S *	1/1992	Anderson et al. ....	D6/317
D324,781 S	3/1992	Uke	
D342,612 S	12/1993	McIntyre	
5,282,553 A *	2/1994	Ibled .....	223/85
D412,113 S *	7/1999	Josephs .....	D9/722
5,931,314 A *	8/1999	Jackstat et al. ....	211/34
D432,584 S *	10/2000	Wakatake et al. ....	D20/42
D438,022 S *	2/2001	Bunn .....	D6/317
6,402,105 B1 *	6/2002	Hoyt et al. ....	248/215

7,219,821 B2	5/2007	Weal et al.	
D553,864 S	10/2007	Weal et al.	
D631,671 S *	2/2011	Segasby .....	D6/315
7,997,464 B2 *	8/2011	Weal et al. ....	223/85
2007/0251894 A1 *	11/2007	Kelley .....	211/34
2011/0247185 A1 *	10/2011	Bolden et al. ....	24/716

FOREIGN PATENT DOCUMENTS

GB	2343374 A	5/2000
GB	2409807 A	7/2005

OTHER PUBLICATIONS

Design U.S. Appl. No. 29/451,162, filed Mar. 28, 2013.  
 Design U.S. Appl. No. 29/451,168, filed Mar. 28, 2013.  
 Design U.S. Appl. No. 29/443,717, filed Jan. 22, 2013.

\* cited by examiner

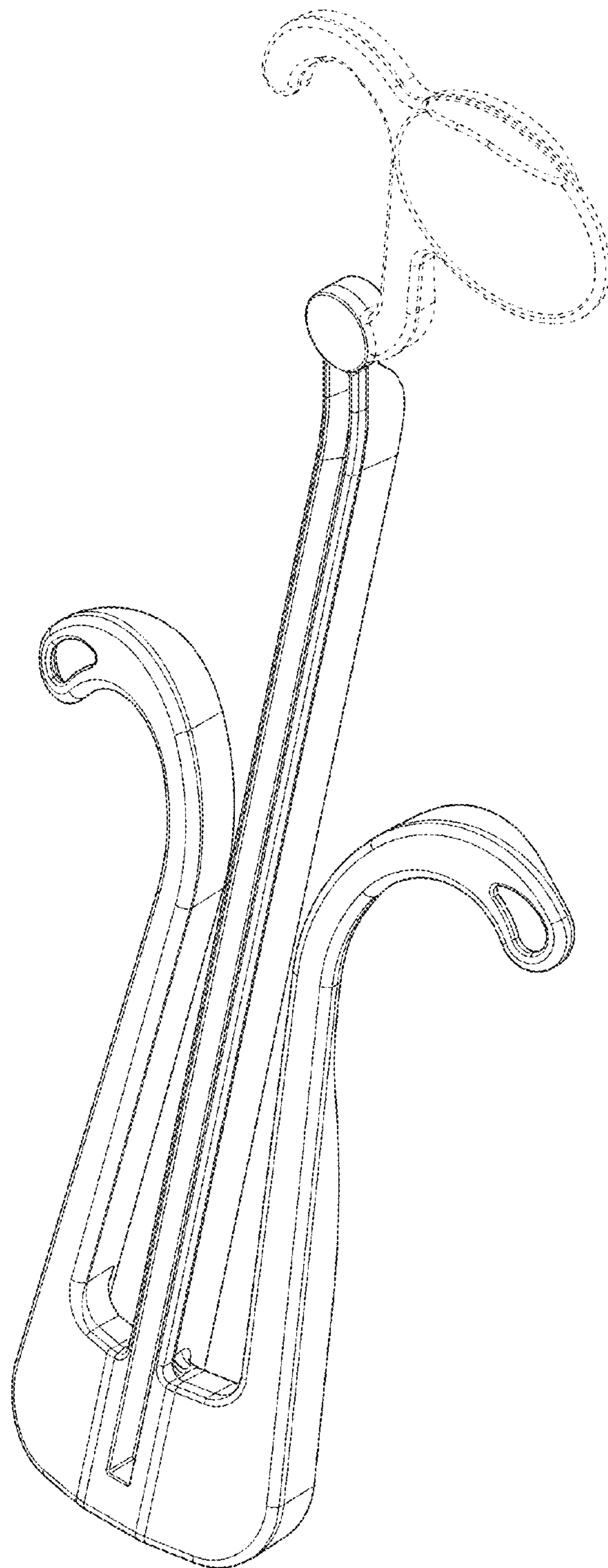


FIG. 1

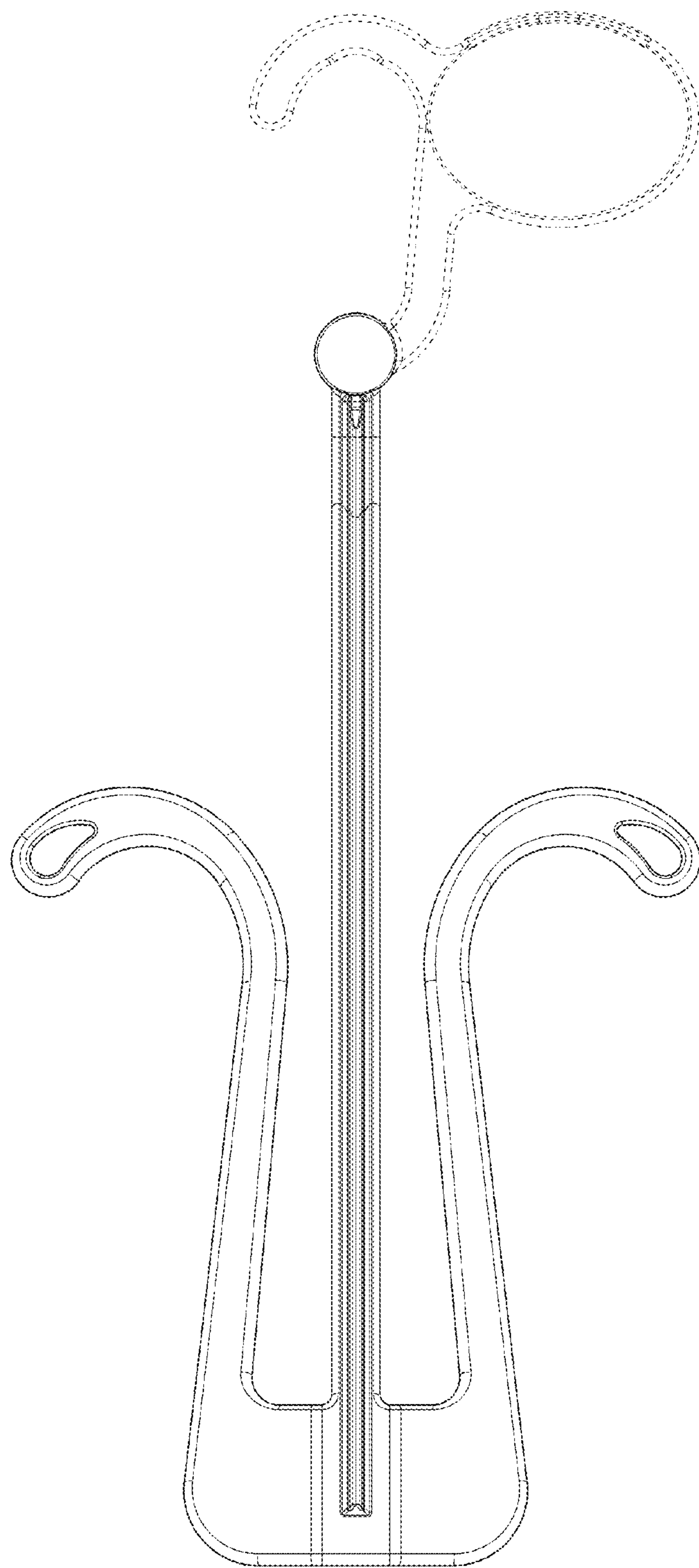


FIG. 2



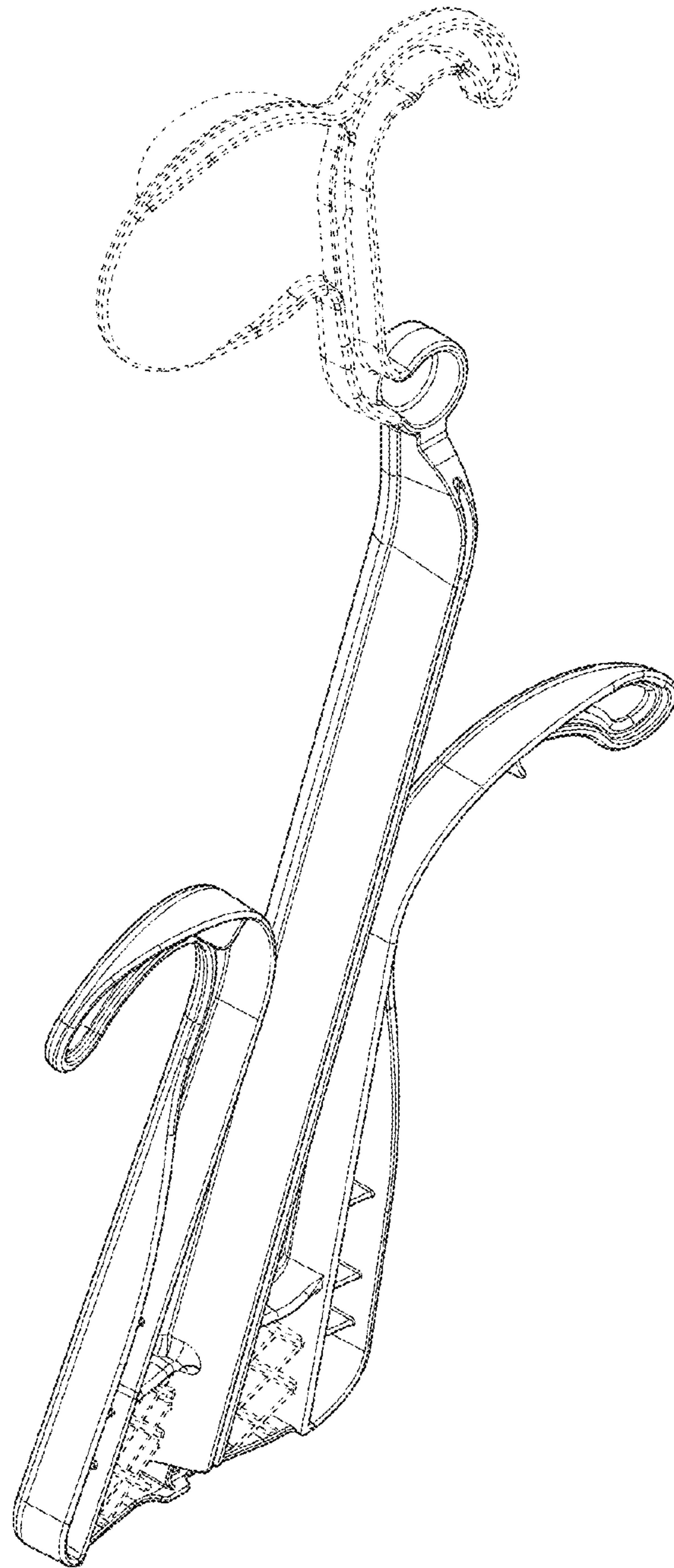


FIG. 3

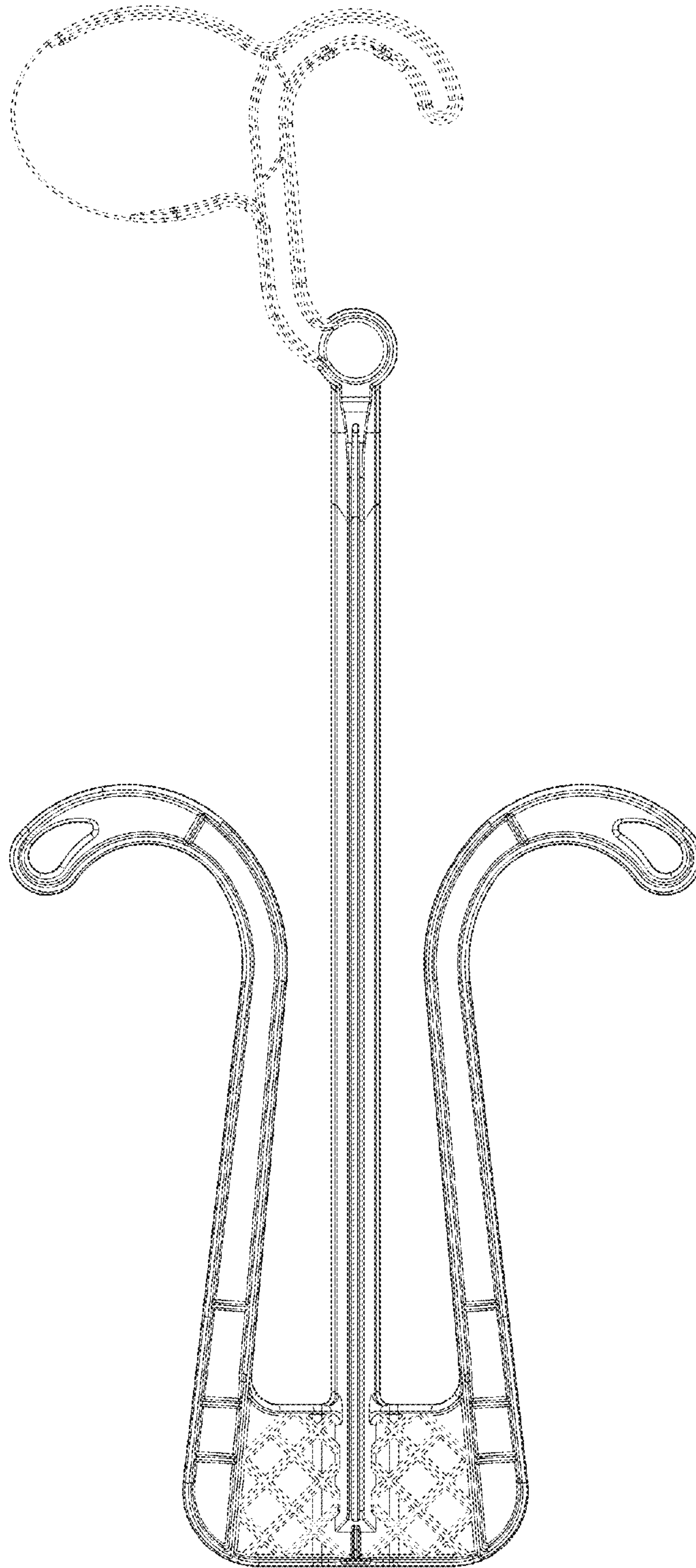


FIG. 4

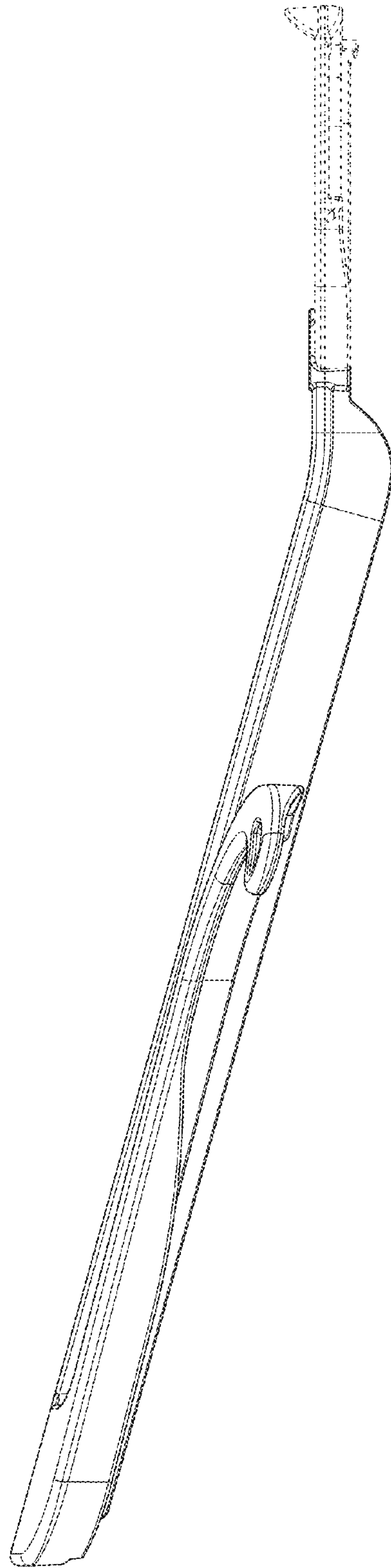


FIG. 5

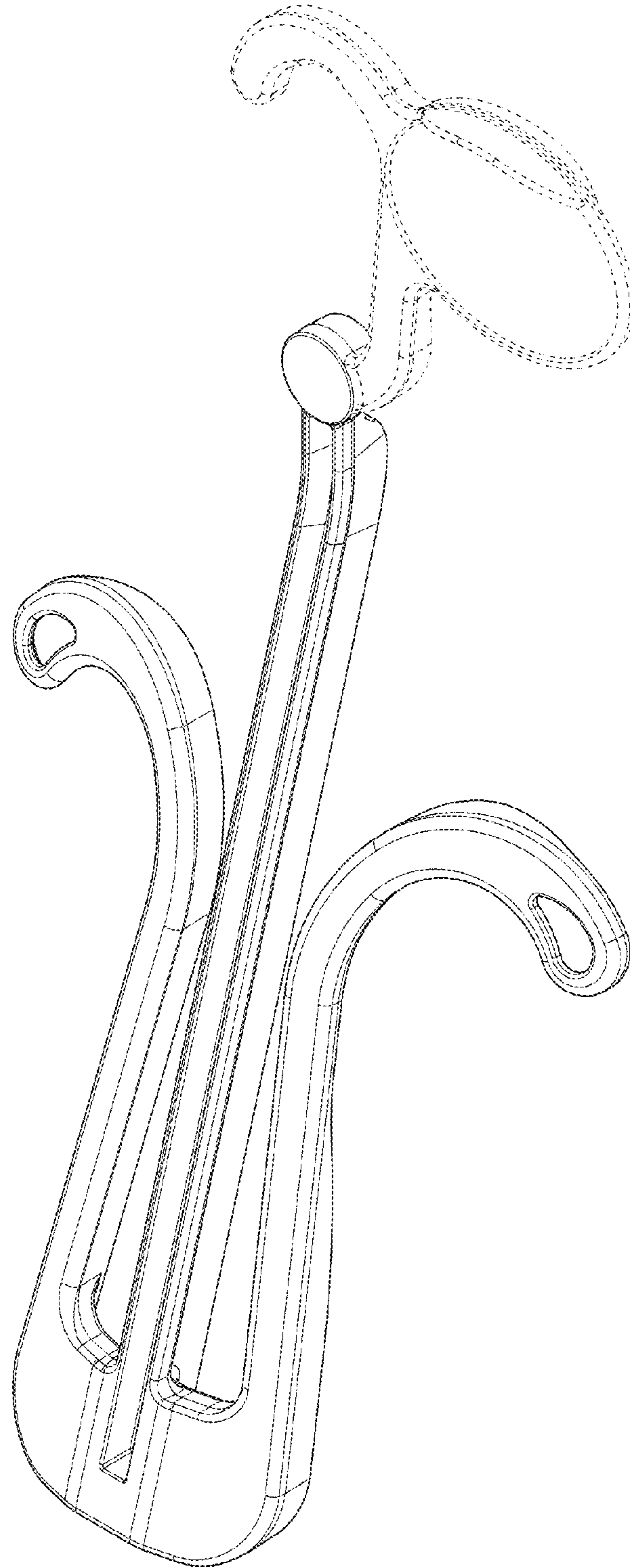


FIG. 6



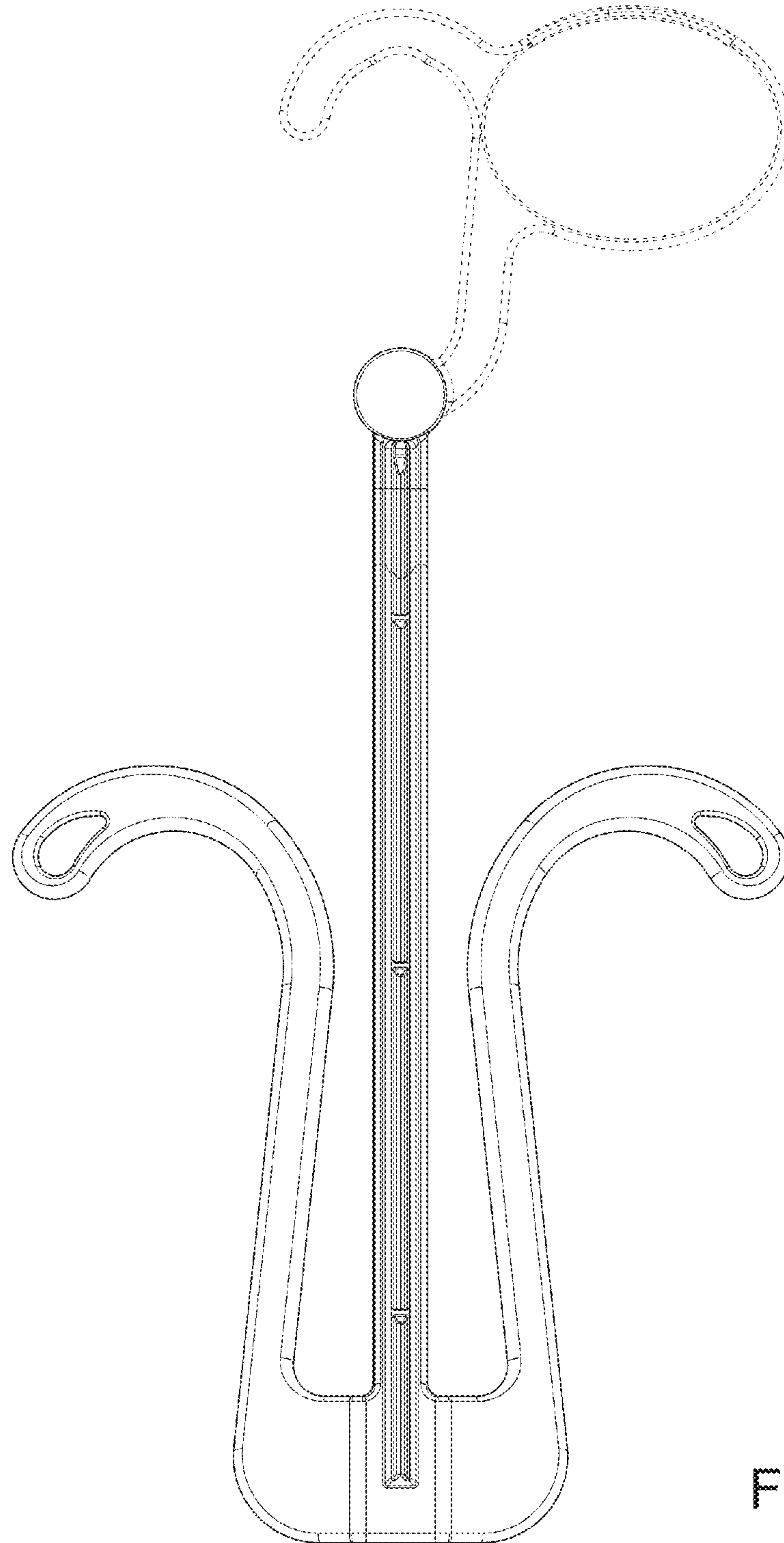


FIG. 7

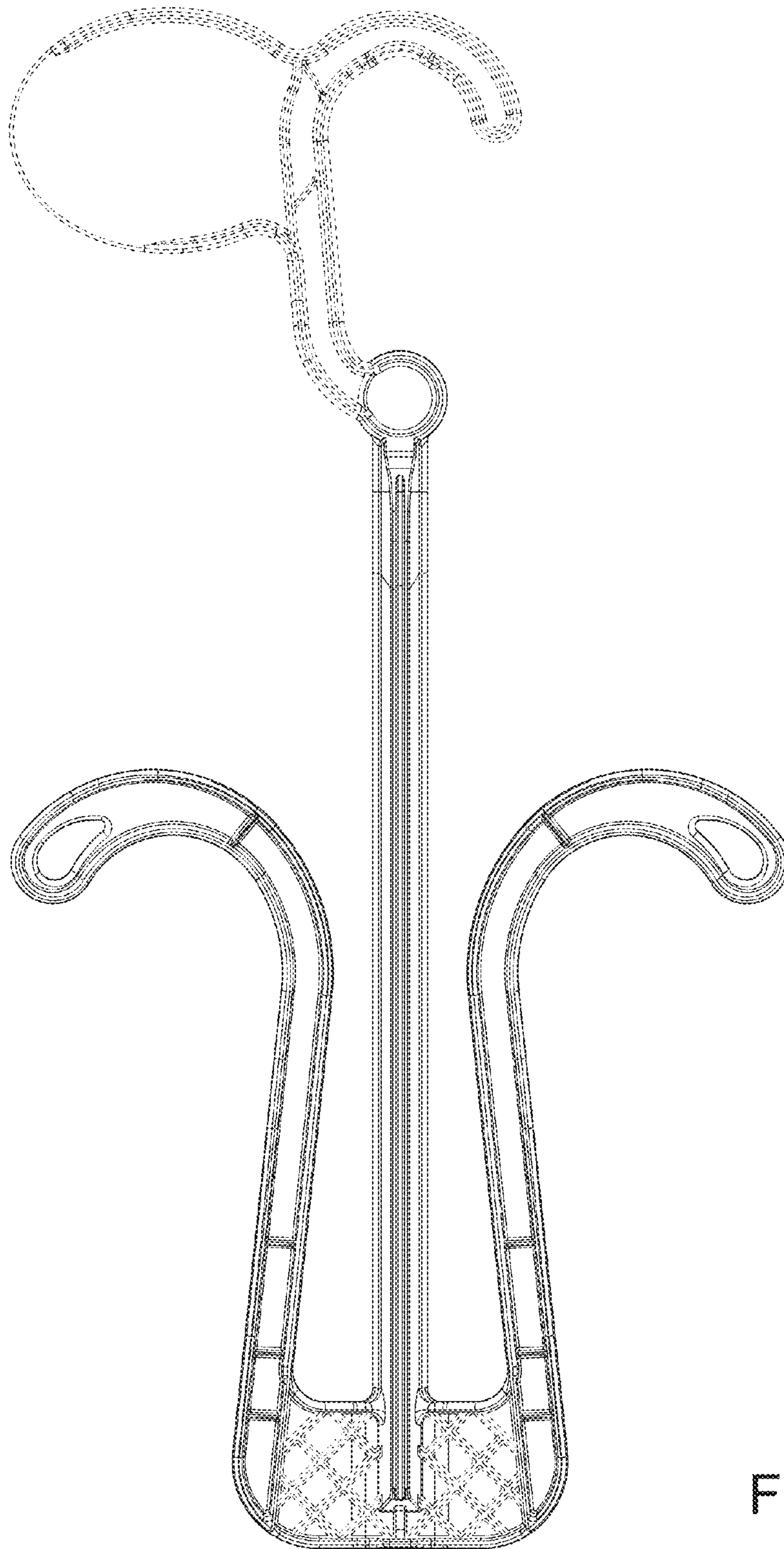


FIG. 8

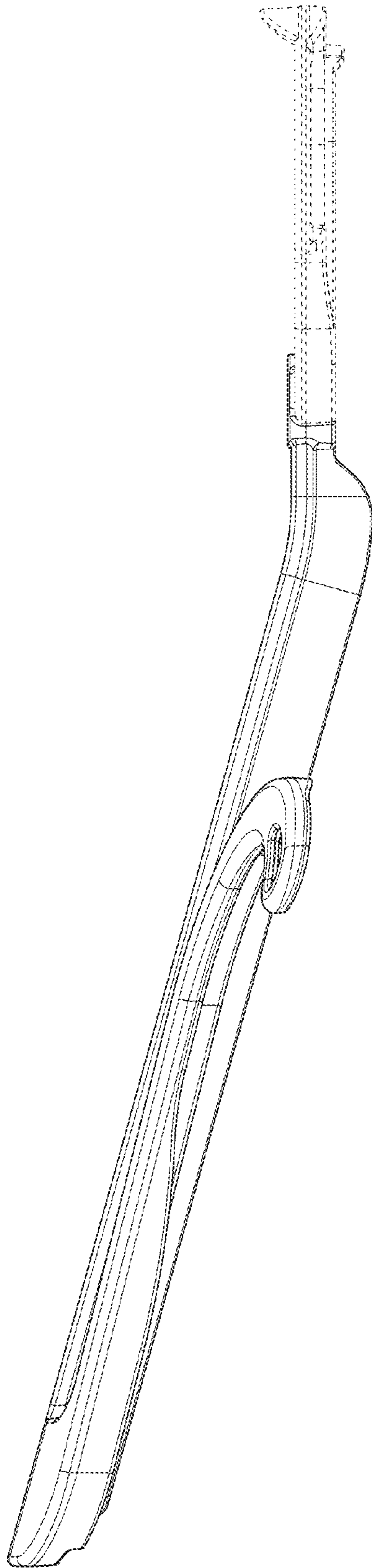


FIG. 9

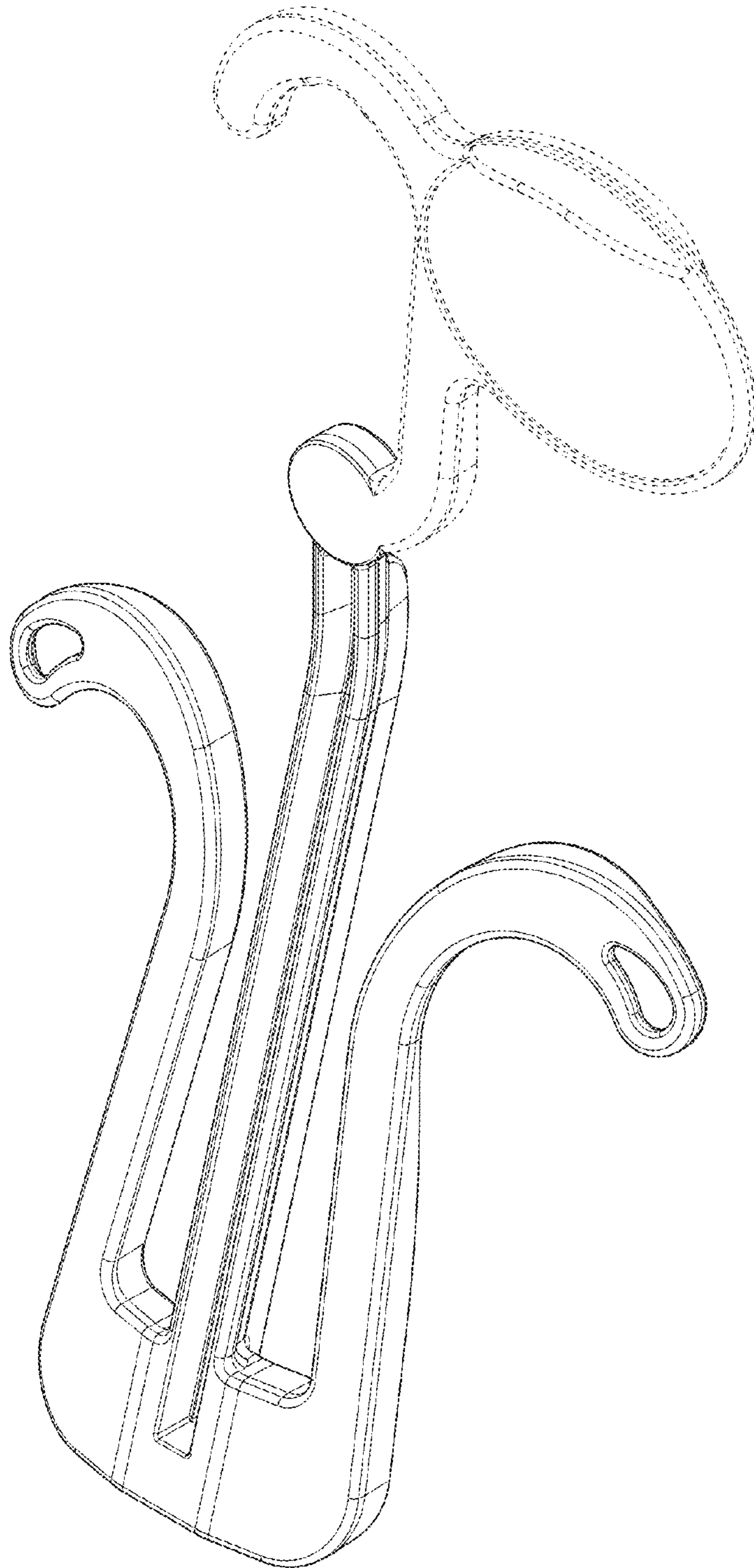


FIG. 10



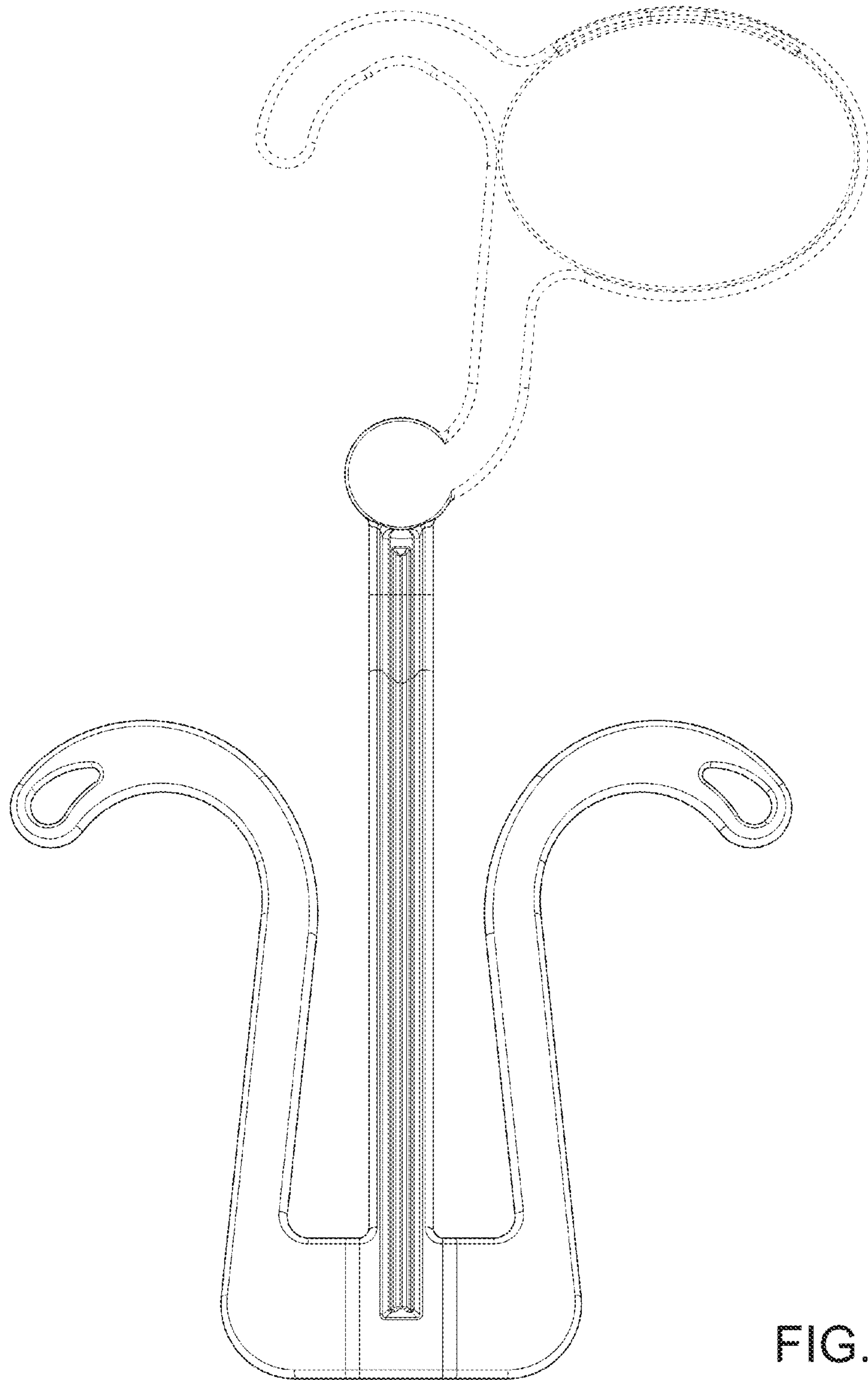


FIG. 11

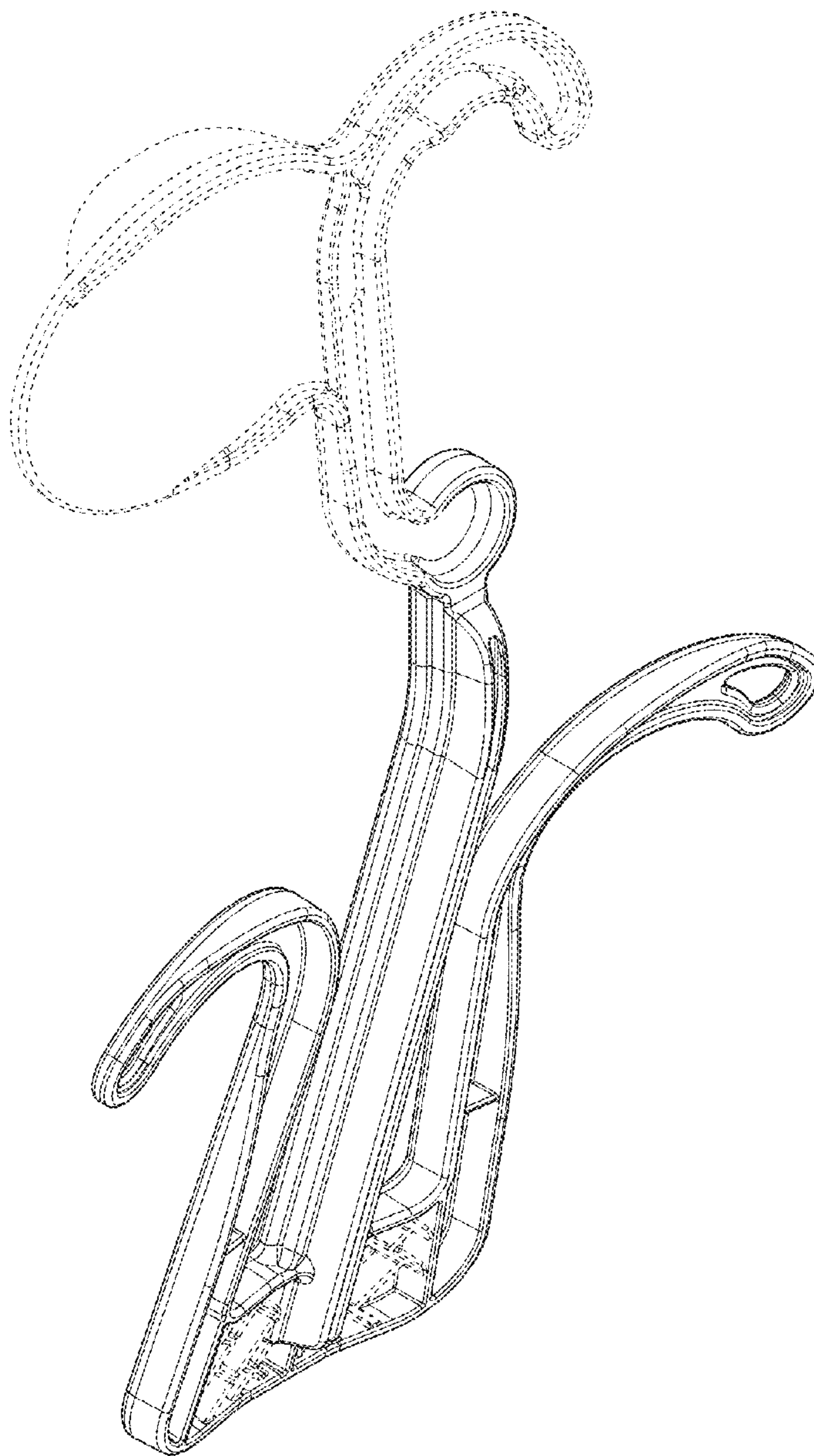


FIG. 12

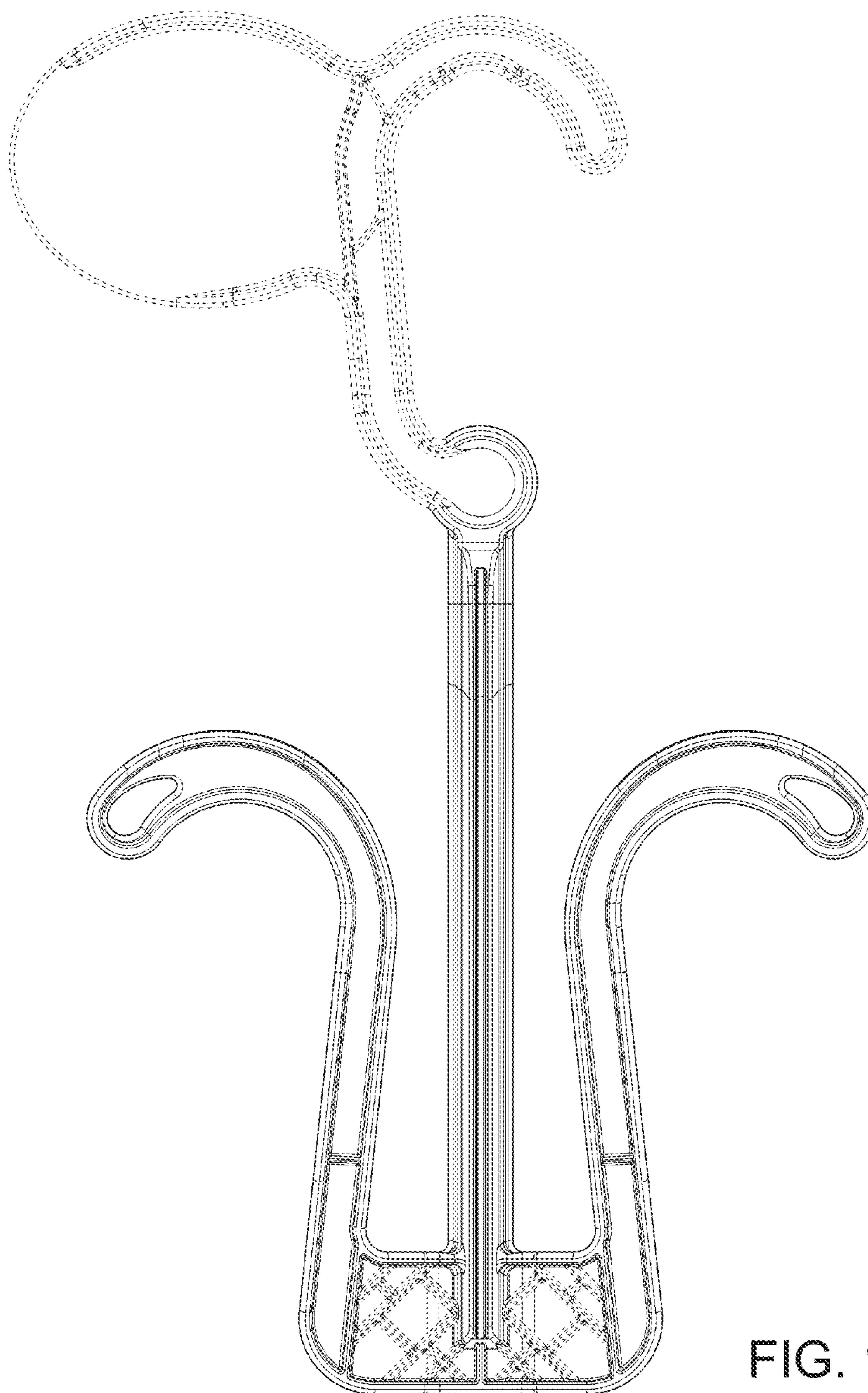


FIG. 13

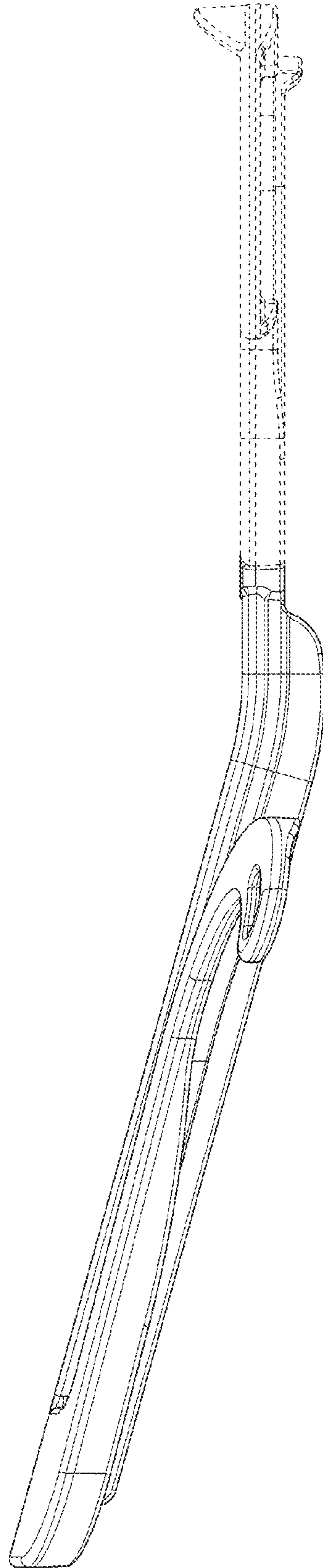


FIG. 14



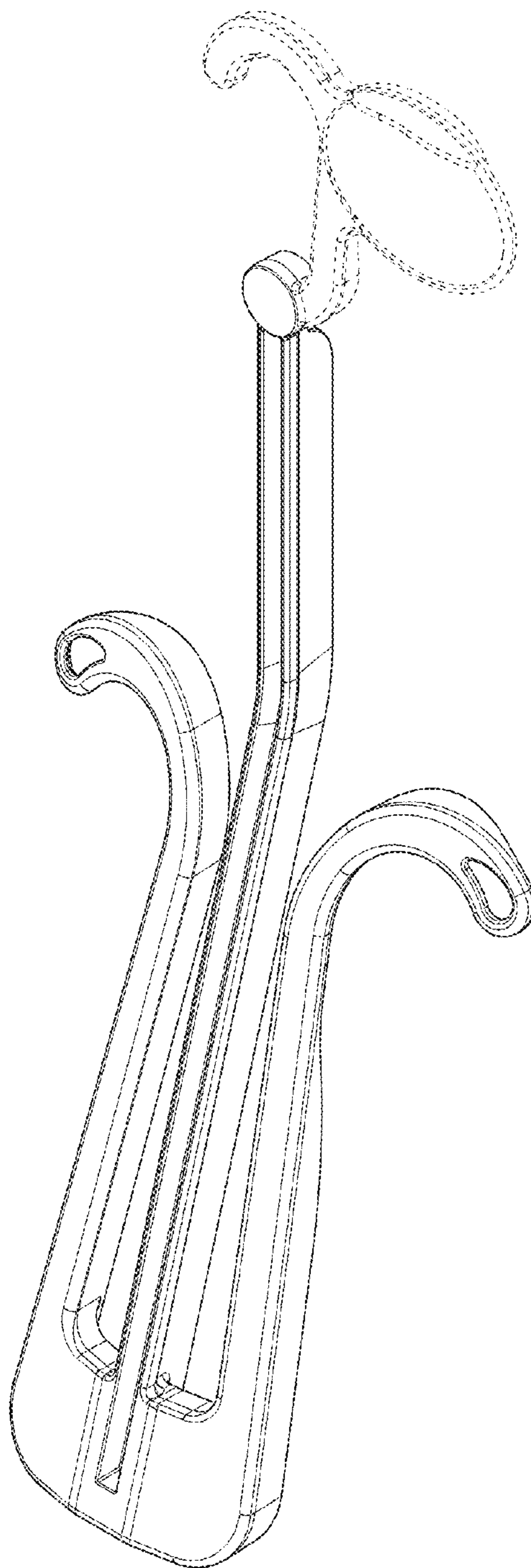


FIG. 15

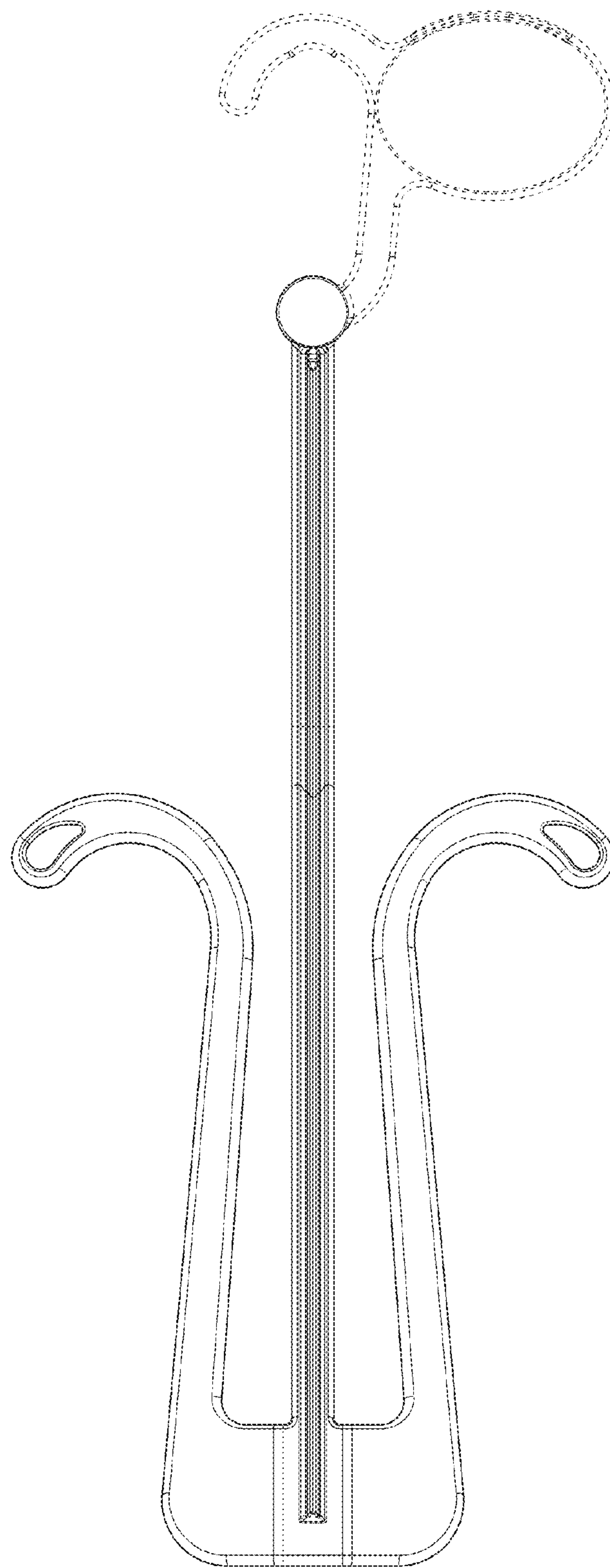


FIG. 16

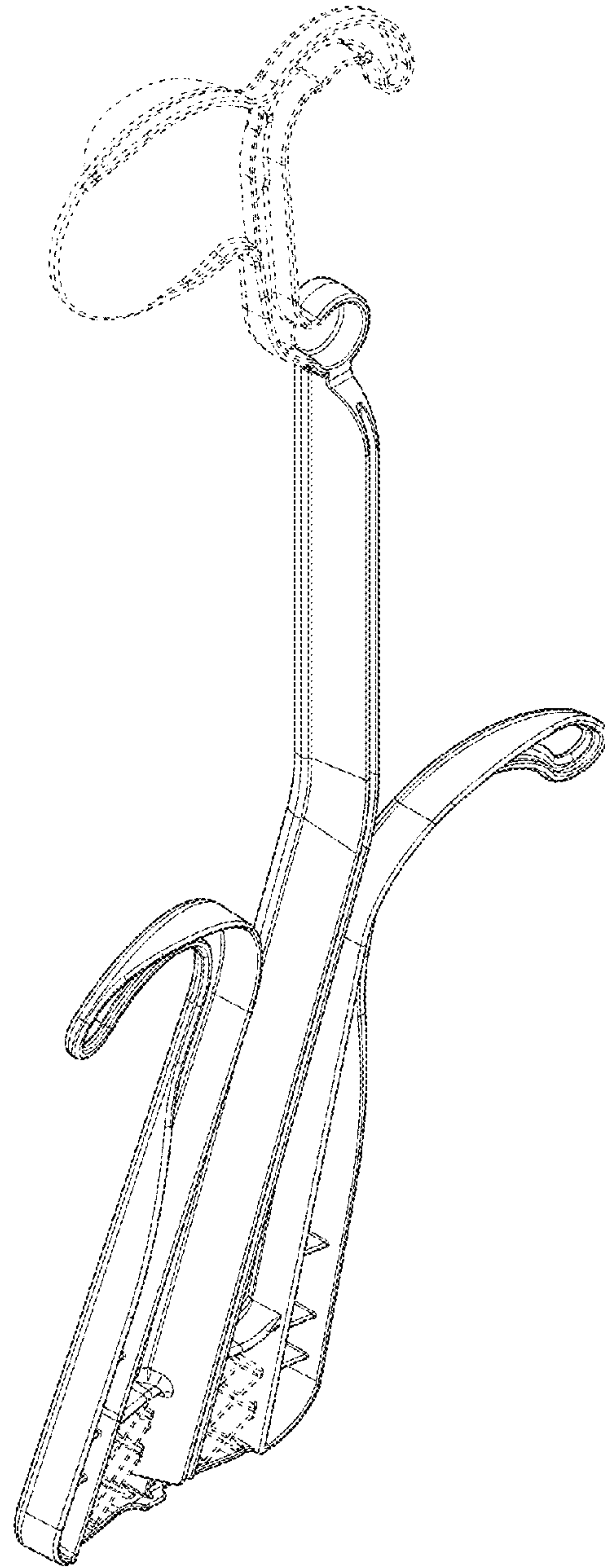


FIG. 17

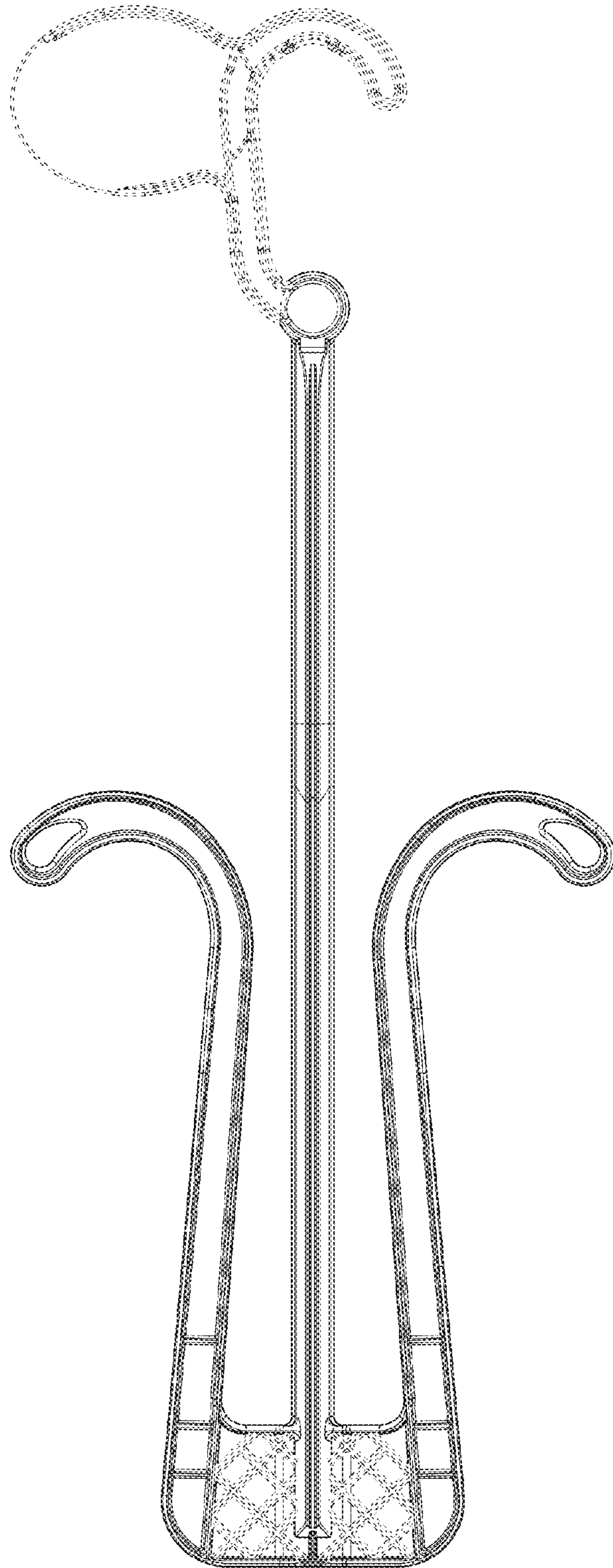


FIG. 18



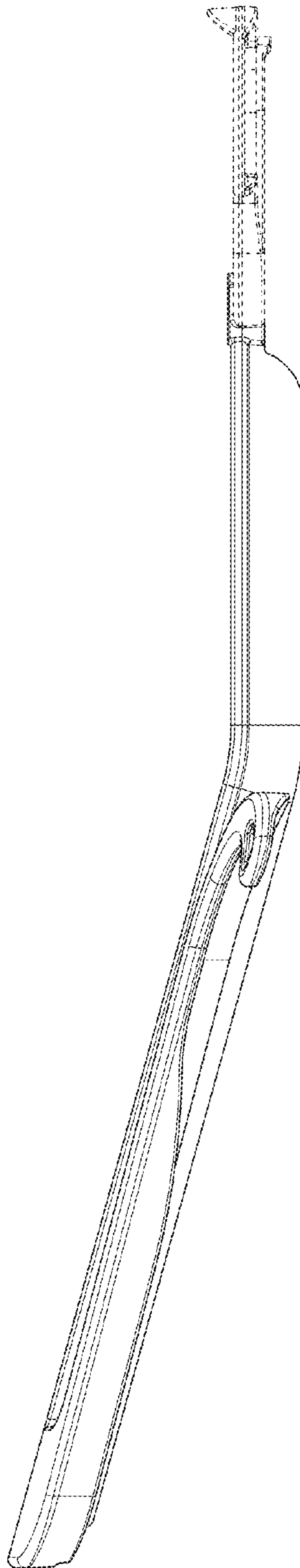


FIG. 19