



US00D703448S

(12) **United States Design Patent**
Berglund

(10) **Patent No.:** **US D703,448 S**

(45) **Date of Patent:** **** *Apr. 29, 2014**

(54) **HANGER**

(71) Applicant: **Stephen Berglund**, Fresno, CA (US)

(72) Inventor: **Stephen Berglund**, Fresno, CA (US)

(*) Notice: This patent is subject to a terminal disclaimer.

(**) Term: **14 Years**

(21) Appl. No.: **29/460,443**

(22) Filed: **Jul. 10, 2013**

2,637,424 A	5/1953	Duskin	
D174,064 S	2/1955	Snook	
D179,745 S *	2/1957	Snook	D6/319
2,815,785 A	12/1957	Vail	
2,861,735 A	11/1958	Faltin	
3,142,324 A	7/1964	Fremont	
3,164,187 A	1/1965	Simmons	
3,388,777 A	6/1968	Nolan	
3,495,763 A	2/1970	Schmidt et al.	
3,558,038 A	1/1971	Gelles et al.	
D223,700 S	5/1972	Kamins et al.	
3,670,947 A	6/1972	Tangredi et al.	
3,929,224 A	12/1975	Smith, Jr.	
3,934,497 A	1/1976	Hannah	
D242,764 S	12/1976	Kamins	

(Continued)

Related U.S. Application Data

(63) Continuation-in-part of application No. 29/447,650, filed on Mar. 5, 2013, now Pat. No. Des. 688,867.

(51) **LOC (10) Cl.** **06-08**

(52) **U.S. Cl.**
USPC **D6/319**

(58) **Field of Classification Search**
USPC D6/315-328; 223/85-98; 211/13.1, 10, 211/86.01, 87.01, 85.2, 113; D9/443; D8/301, 306
See application file for complete search history.

(56) **References Cited**

U.S. PATENT DOCUMENTS

1,305,797 A	6/1919	Henderson
1,452,644 A	4/1923	Kennedy
1,463,002 A	7/1923	Barnet
1,476,423 A	12/1923	Salisbury
1,537,956 A	5/1925	McNally
1,666,704 A	4/1928	Hunter
1,870,169 A	8/1932	Brown
2,088,232 A	7/1937	Cumming
D115,502 S	7/1939	Kohl
2,170,841 A	8/1939	Thies et al.
2,210,755 A	8/1940	Frank
2,534,380 A	12/1950	Schwartzman

OTHER PUBLICATIONS

Cleaner's Supply advertisement for "Converta" bag dated Jan. 4, 2010.

(Continued)

Primary Examiner — Derrick Holland
Assistant Examiner — Lauren Calve

(74) *Attorney, Agent, or Firm* — Mark D. Miller

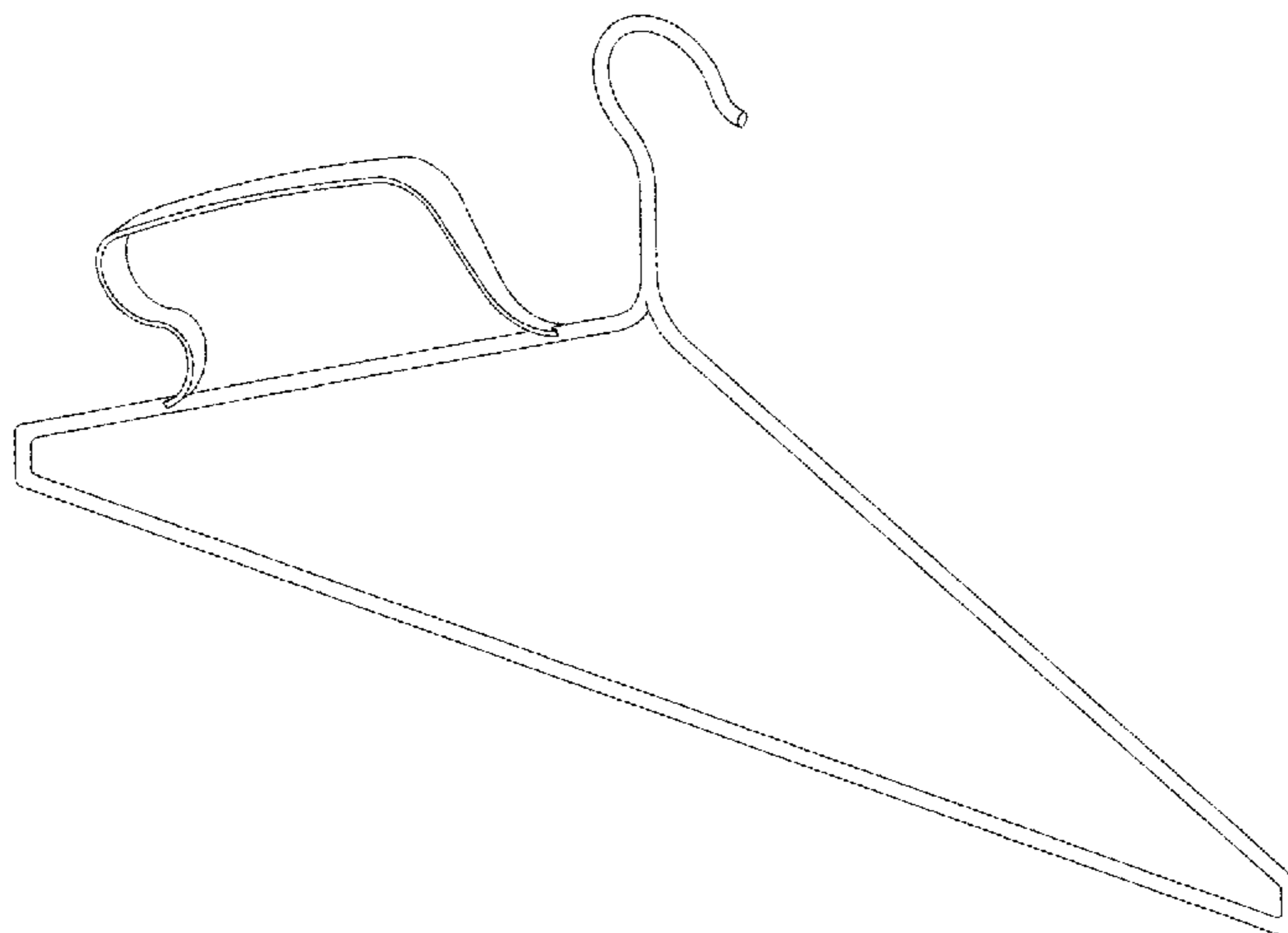
(57) **CLAIM**

I claim the ornamental design for a hanger, as shown and described.

DESCRIPTION

FIG. 1 is a front perspective view of a hanger showing my new design;
FIG. 2 is a rear perspective view thereof;
FIG. 3 is front elevational view thereof;
FIG. 4 is a bottom plan view thereof;
FIG. 5 is a top plan view thereof;
FIG. 6 is a left side elevational view thereof; and,
FIG. 7 is a right side elevational view thereof.

1 Claim, 3 Drawing Sheets



(56)

References Cited

U.S. PATENT DOCUMENTS

4,000,768	A	1/1977	Siegel	
4,084,689	A	4/1978	Yamagata	
4,189,036	A	2/1980	Pelavin	
4,244,453	A	1/1981	Herz	
4,390,087	A	6/1983	Goldfinger	
4,391,396	A	7/1983	Brady	
4,401,219	A	8/1983	Mink	
4,438,844	A	3/1984	Kesselman et al.	
D282,315	S	1/1986	Allen	
4,580,667	A	4/1986	Herwood	
4,590,610	A	5/1986	Rhyne	
D307,360	S	* 4/1990	McAllister	D6/318
5,002,183	A	3/1991	Okano	
5,010,987	A	4/1991	Evans	
D321,790	S	11/1991	Martorella	
5,062,717	A	11/1991	Shockley	
5,065,864	A	11/1991	Schmitt	
5,090,559	A	2/1992	Gendreau	
D327,371	S	* 6/1992	Walker	D6/318
5,117,974	A	6/1992	Bieber	
5,253,775	A	10/1993	Gould	
5,370,230	A	12/1994	Cox	
D369,025	S	4/1996	Miller	

D371,737	S	7/1996	May
D377,863	S	2/1997	Van Skiver
5,628,398	A	5/1997	Jackson
D383,904	S	9/1997	Stewart
D385,419	S	10/1997	Ibigbami
D422,903	S	4/2000	Lim
6,296,094	B1	10/2001	Knecht
6,708,819	B1	3/2004	Lee
6,811,027	B2	11/2004	Alexander
D499,548	S	12/2004	Deutschendorf et al.
D505,547	S	5/2005	Whipple
D602,760	S	10/2009	Davis
D633,715	S	3/2011	Berglund
D637,396	S	5/2011	Berglund
D651,404	S	1/2012	Berglund
2003/0102230	A1	6/2003	Gregorcic
2003/0179958	A1	9/2003	Chiang et al.
2007/0183691	A1	8/2007	Finnegan

OTHER PUBLICATIONS

Advertisement for "Green Garmento" bag, American Drycleaner, p. 25, Jan. 2010.
 U.S. Trademark Registration No. 1768697 dated May 14, 1993.

* cited by examiner

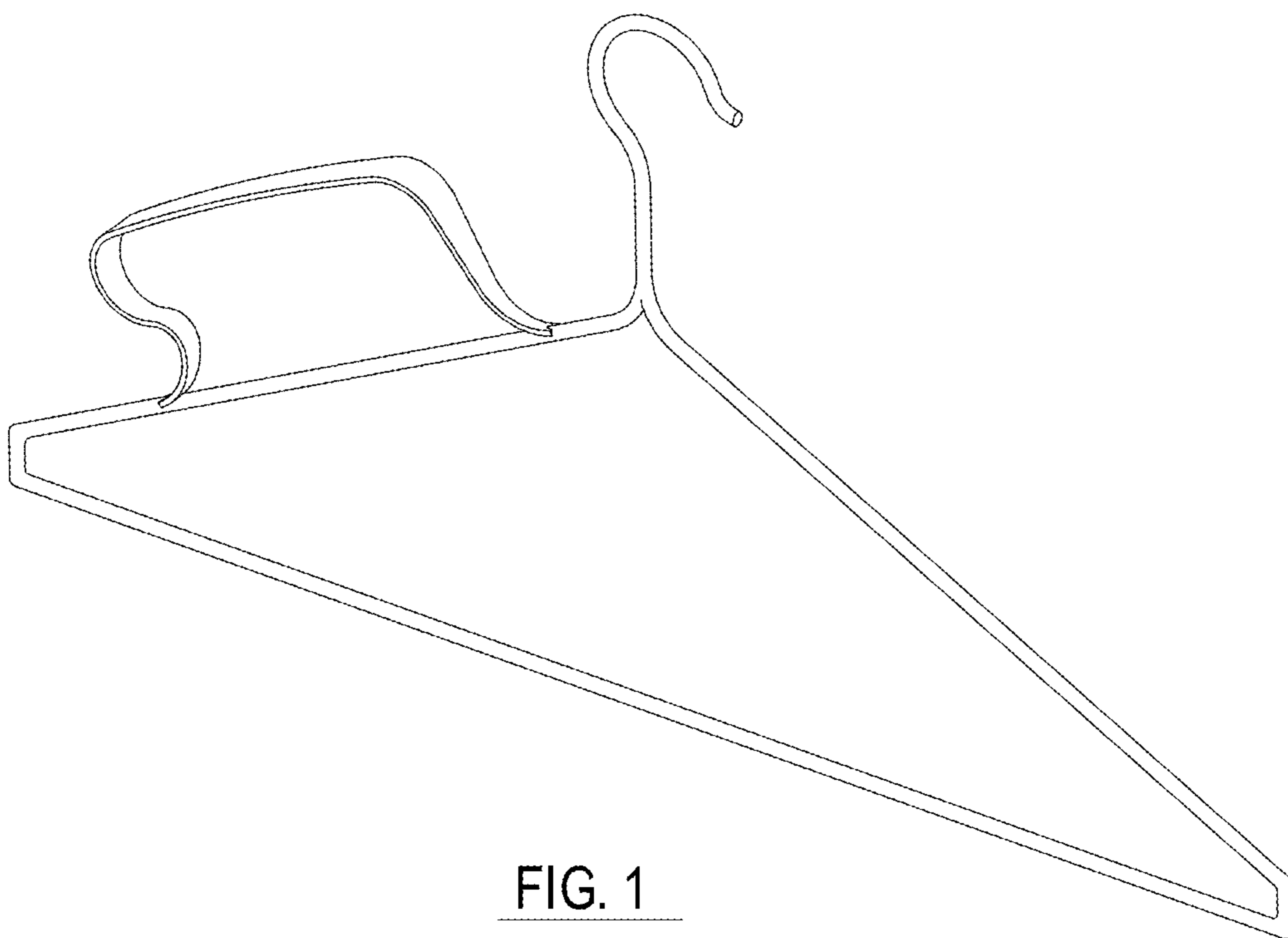


FIG. 1

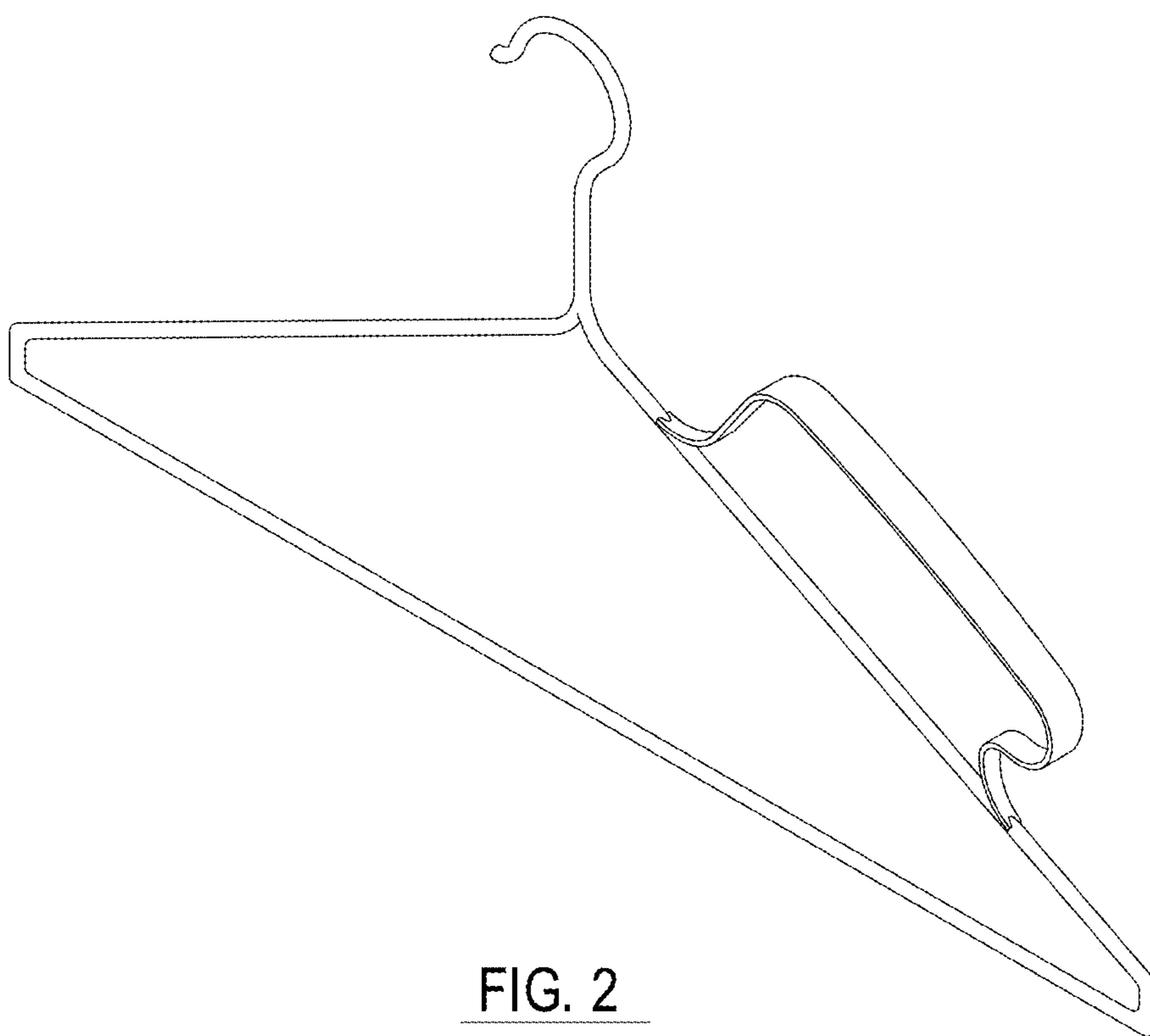


FIG. 2

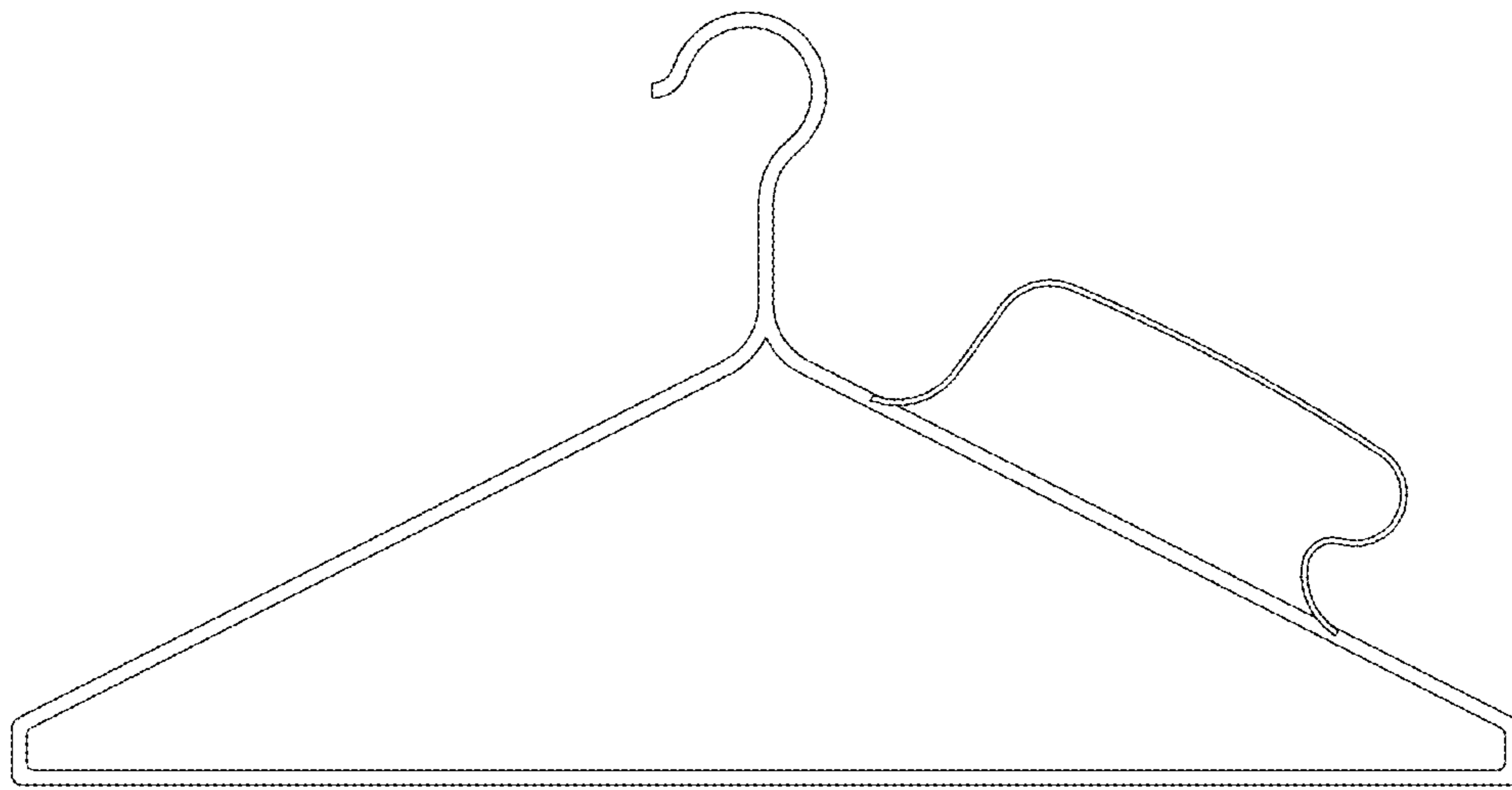


FIG. 3

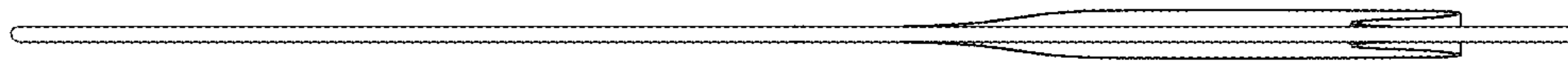


FIG. 4

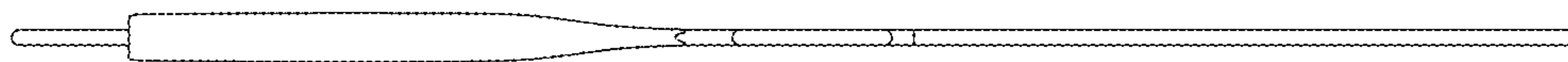


FIG. 5

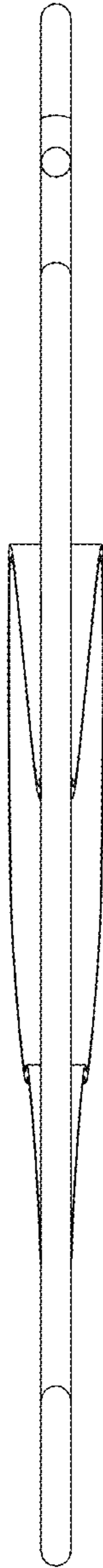


FIG. 6



FIG. 7