



US00D703442S

(12) **United States Design Patent**
Parker

(10) **Patent No.:** **US D703,442 S**
(45) **Date of Patent:** **** Apr. 29, 2014**

(54) **LUGGAGE WHEEL HOUSING WITH WHEEL**

(75) Inventor: **Garrett K. W. Parker**, Berkley, MA
(US)

(73) Assignee: **Samsonite IP Holdings S.a r.l.**,
Lumembourg (LU)

(**) Term: **14 Years**

(21) Appl. No.: **29/427,647**

(22) Filed: **Jul. 20, 2012**

(51) **LOC (10) Cl.** **03-01**

(52) **U.S. Cl.**
USPC **D3/318**

(58) **Field of Classification Search**
USPC D3/279, 299, 301, 303, 318, 319, 273,
D3/289, 292, 294, 295, 296, 228; D9/424,
D9/420; D27/189; 206/349; 220/833;
312/902; 190/100; 150/100, 107, 118
See application file for complete search history.

(56) **References Cited**

U.S. PATENT DOCUMENTS

D421,338 S *	3/2000	Moon	D3/318
D434,904 S	12/2000	Huang		
D438,382 S	3/2001	Chang		
D439,410 S	3/2001	Chang		
D484,028 S	12/2003	Moon		
D487,348 S	3/2004	Fenton et al.		
D513,560 S	1/2006	Neumann		
D539,543 S	4/2007	Wu		
D557,900 S	12/2007	Sijmons		
D575,512 S	8/2008	Moon		
D575,957 S	9/2008	Scicluna et al.		
D576,407 S	9/2008	Moon		
D581,161 S	11/2008	Tong		
D582,160 S *	12/2008	Sijmons	D3/279

D582,678 S	12/2008	Rekuc		
D603,163 S *	11/2009	Van Himbeeck	D3/279
7,832,533 B2 *	11/2010	Selvi	190/124
8,020,679 B2	9/2011	Wu		
D659,395 S *	5/2012	Sijmons	D3/279

OTHER PUBLICATIONS

U.S. Appl. No. 29/440,204, filed Dec. 19, 2012, Garrett K. W. Parker.

* cited by examiner

Primary Examiner — Sandra Snapp

(74) *Attorney, Agent, or Firm* — Dorsey & Whitney LLP

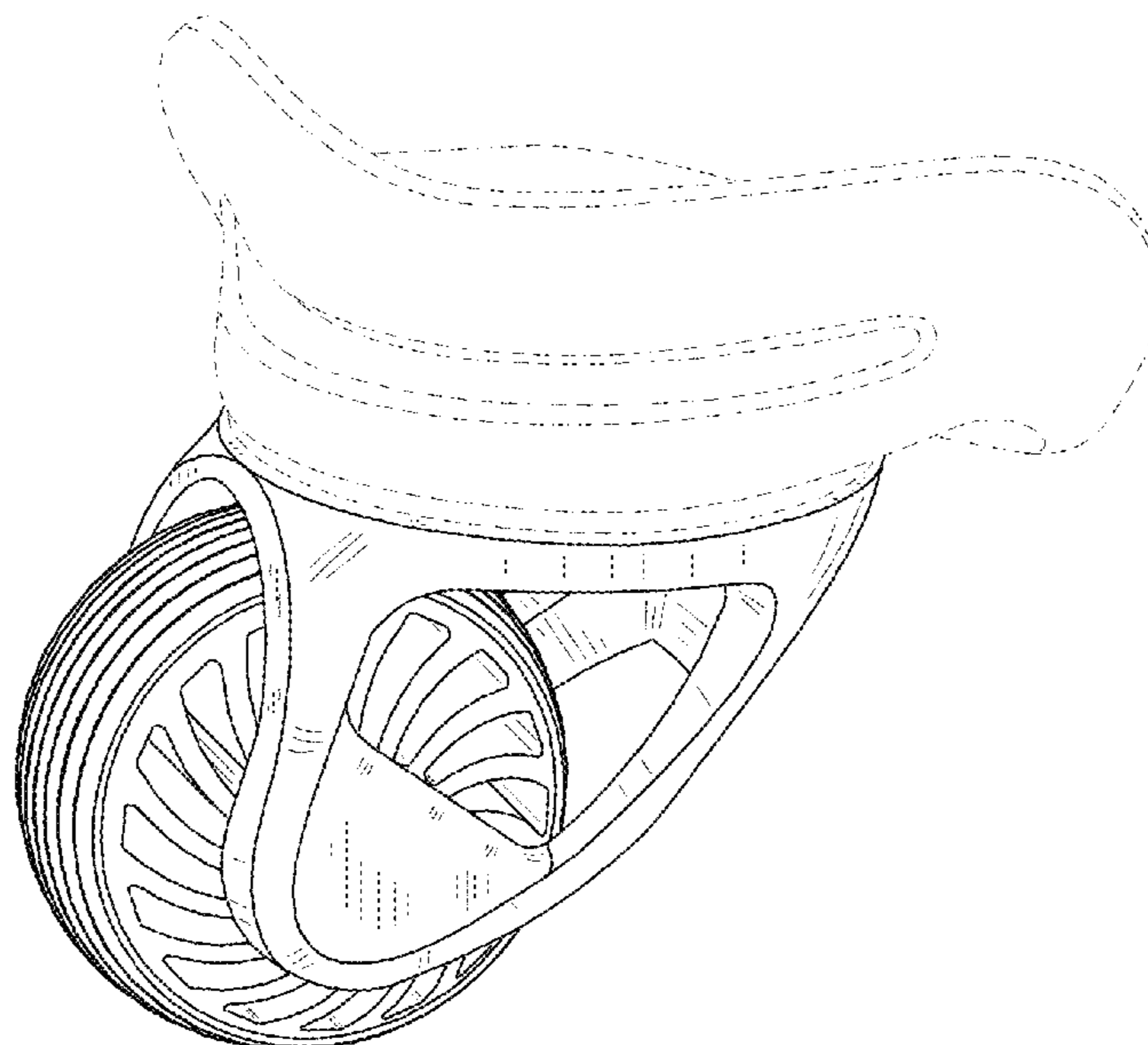
(57) **CLAIM**

The ornamental design for a luggage wheel housing with wheel, as shown and described.

DESCRIPTION

FIG. 1 shows a front perspective view of a luggage wheel housing with wheel;
 FIG. 2 shows a front elevation view of the luggage wheel housing with wheel of FIG. 1;
 FIG. 3 shows a right elevation view of the luggage wheel housing with wheel of FIG. 1;
 FIG. 4 shows a rear elevation view of the luggage wheel housing with wheel of FIG. 1;
 FIG. 5 shows a left elevation view of the luggage wheel housing with wheel of FIG. 1;
 FIG. 6 shows a top view of the luggage wheel housing with wheel of FIG. 1; and,
 FIG. 7 shows a bottom view of the luggage wheel housing with wheel of FIG. 1.
 The dashed lines in FIGS. 1-7 show the environment and boundaries of the luggage wheel housing with wheel and form no part of the claimed invention.

1 Claim, 7 Drawing Sheets



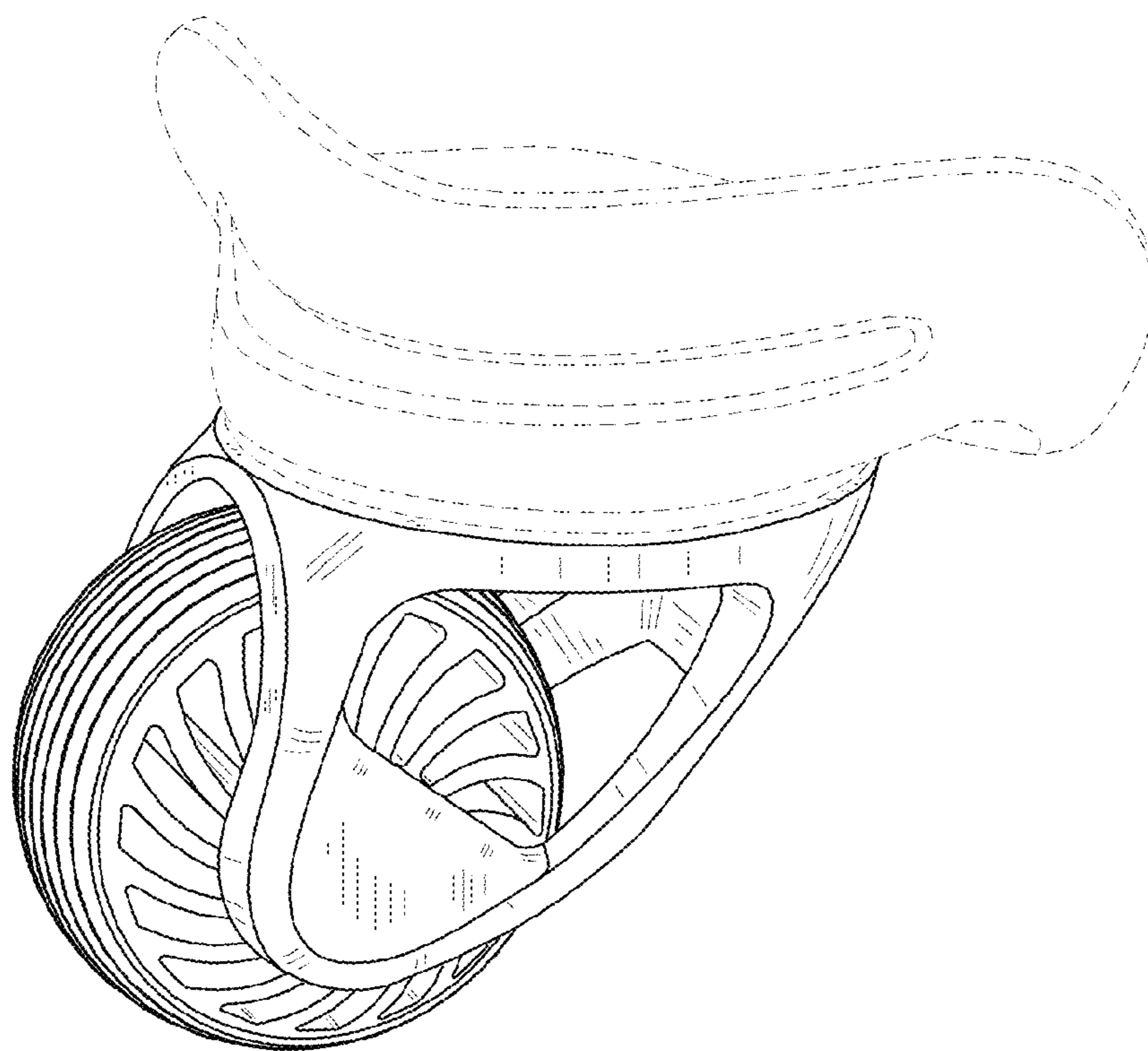


FIG. 1

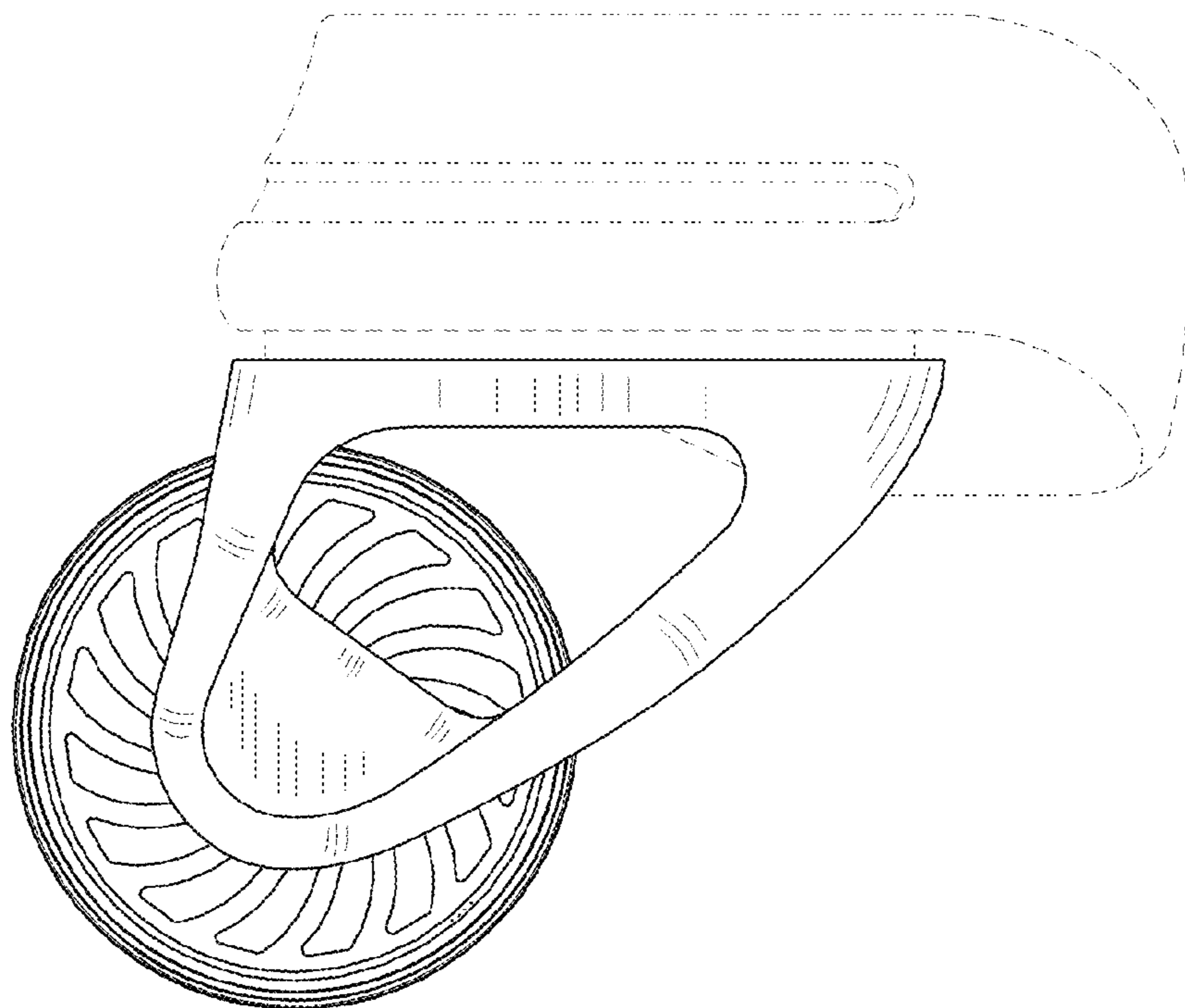


FIG. 2

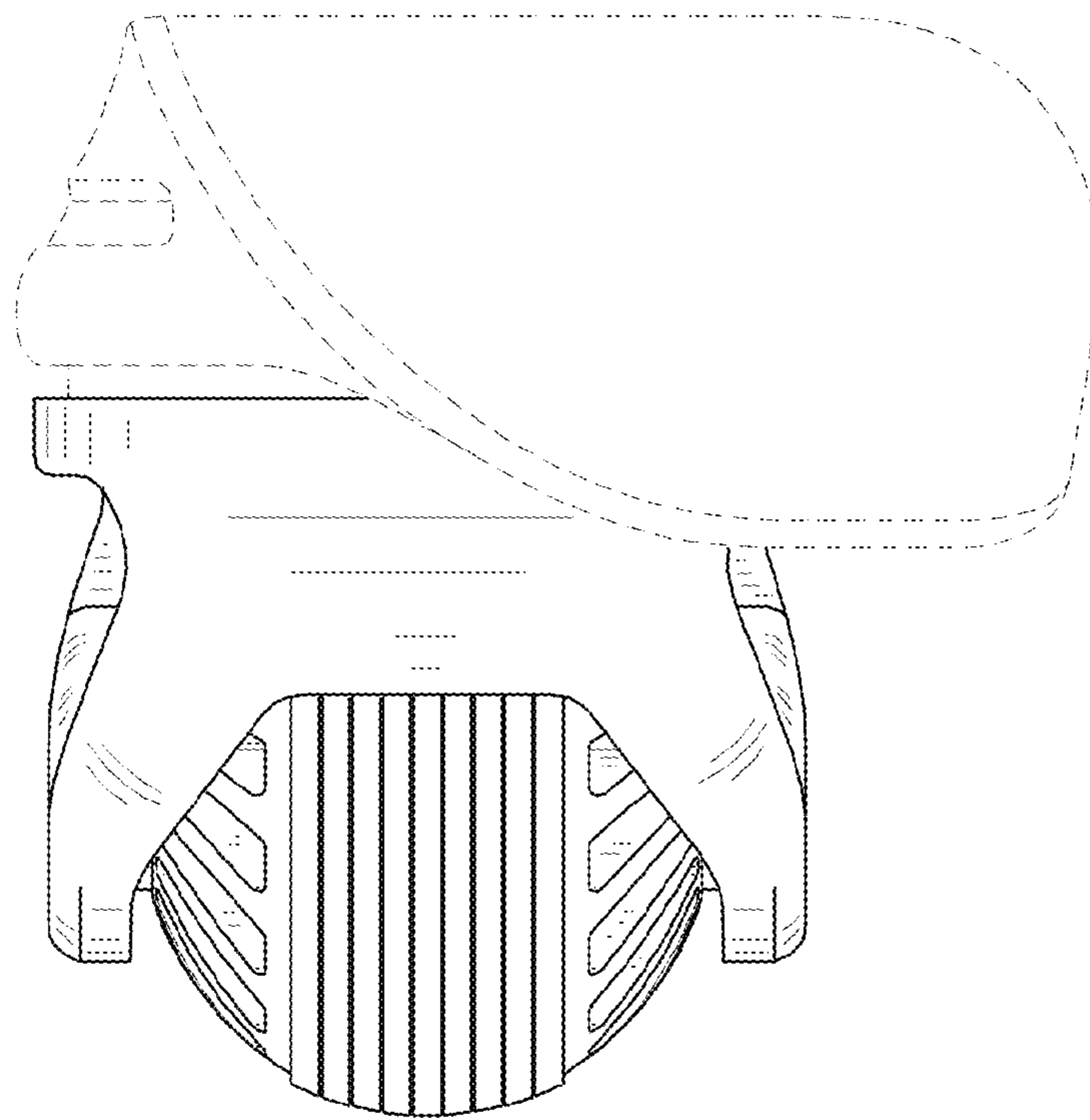


FIG. 3

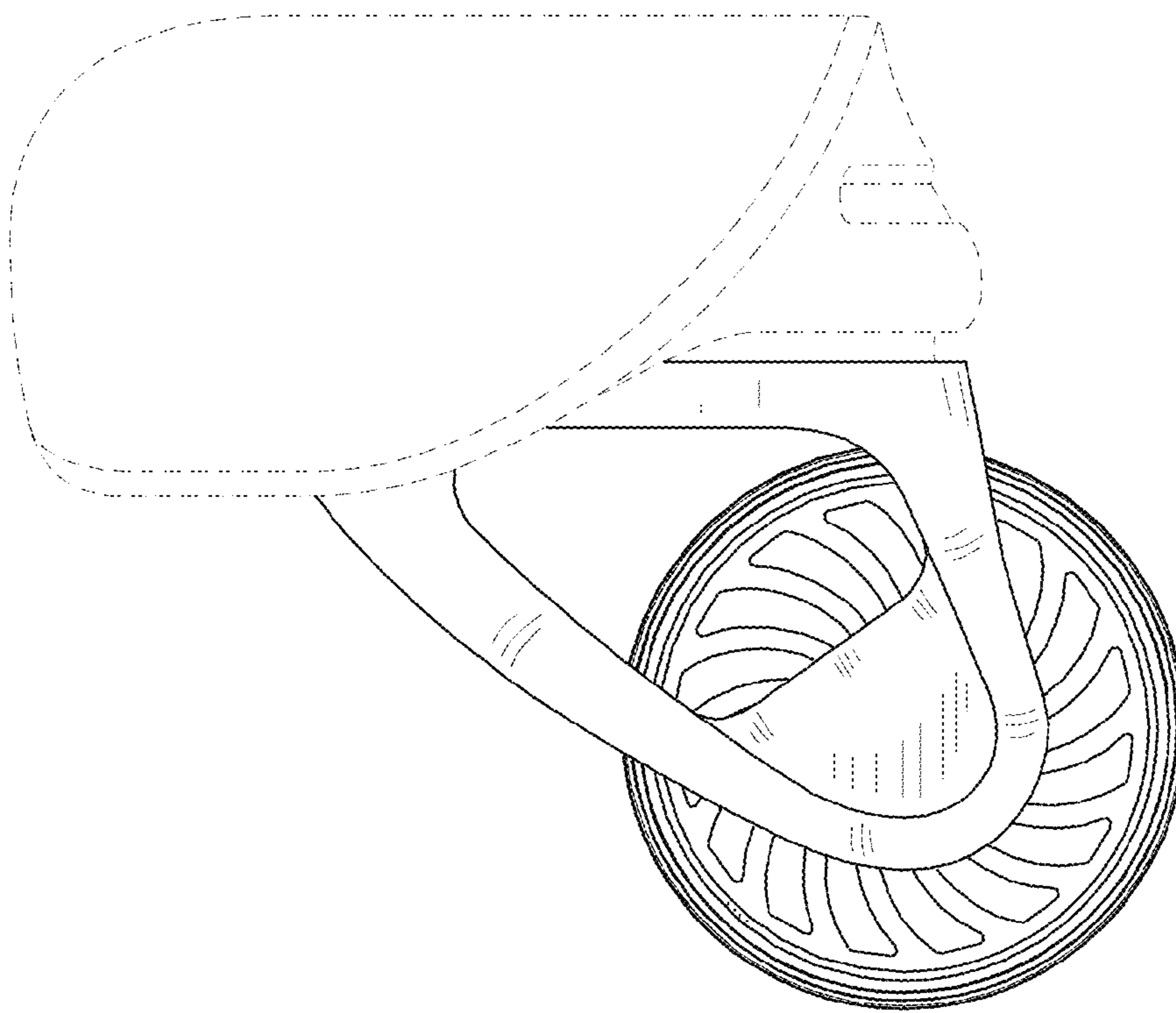


FIG. 4

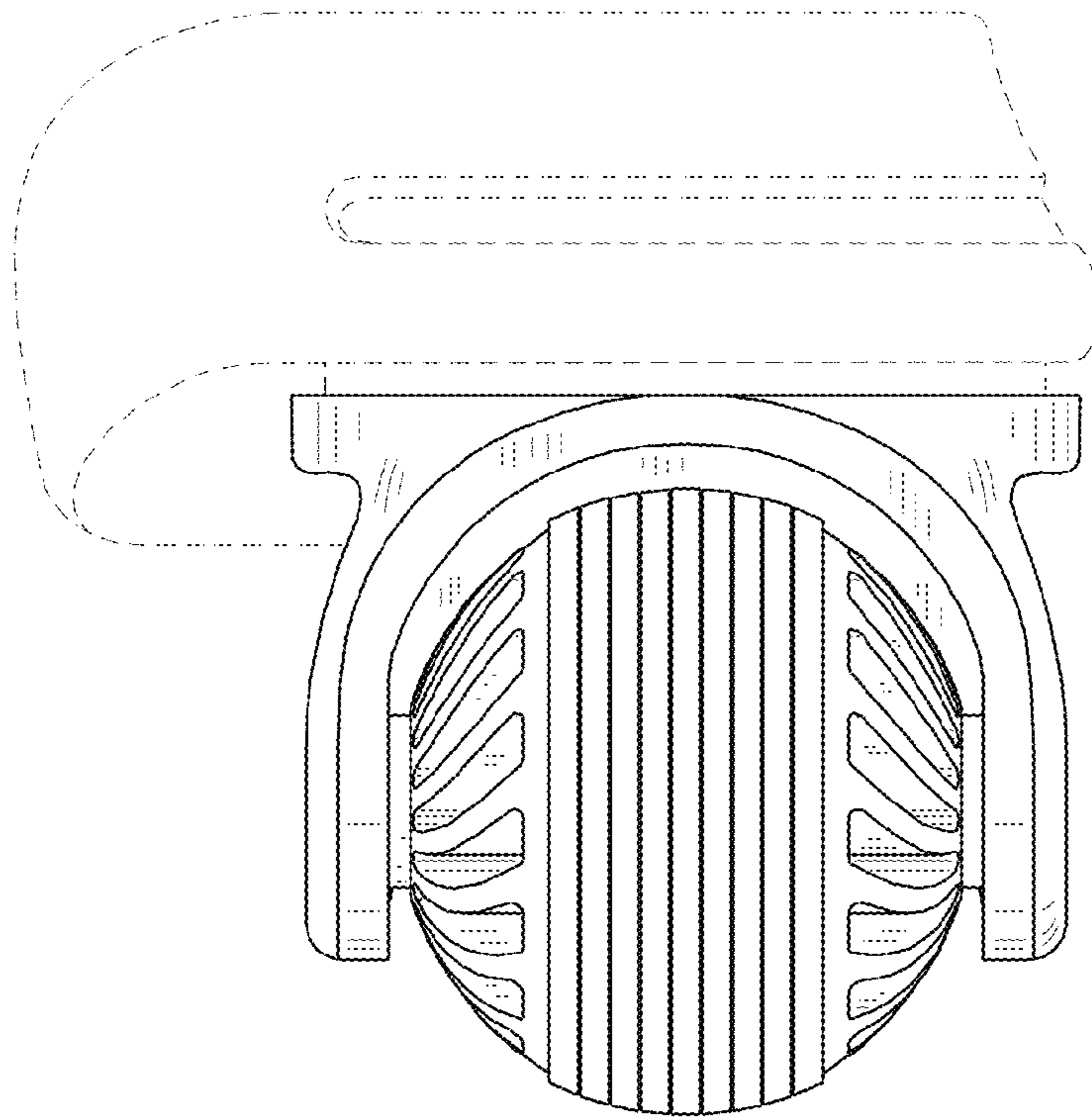


FIG. 5

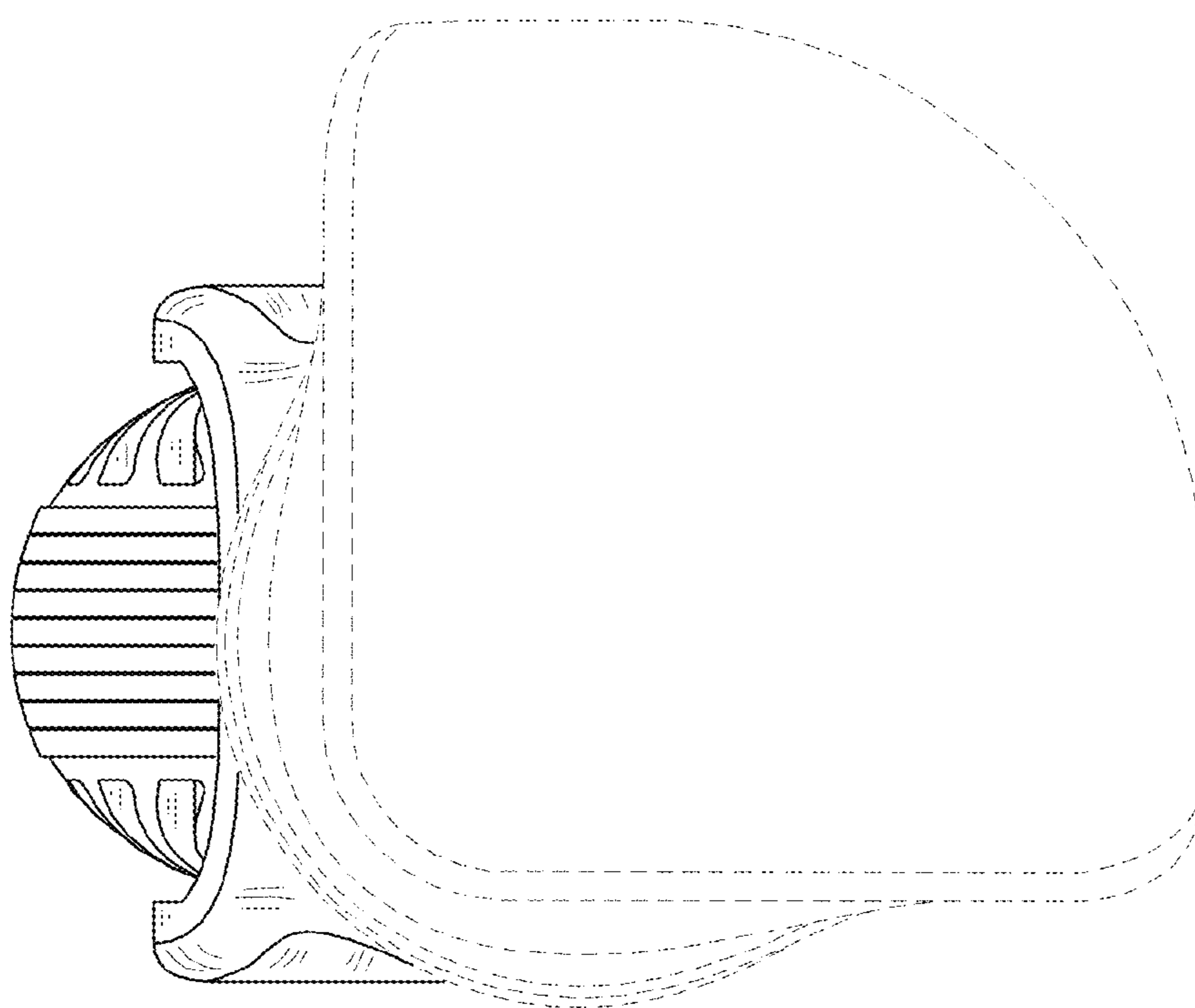


FIG. 6

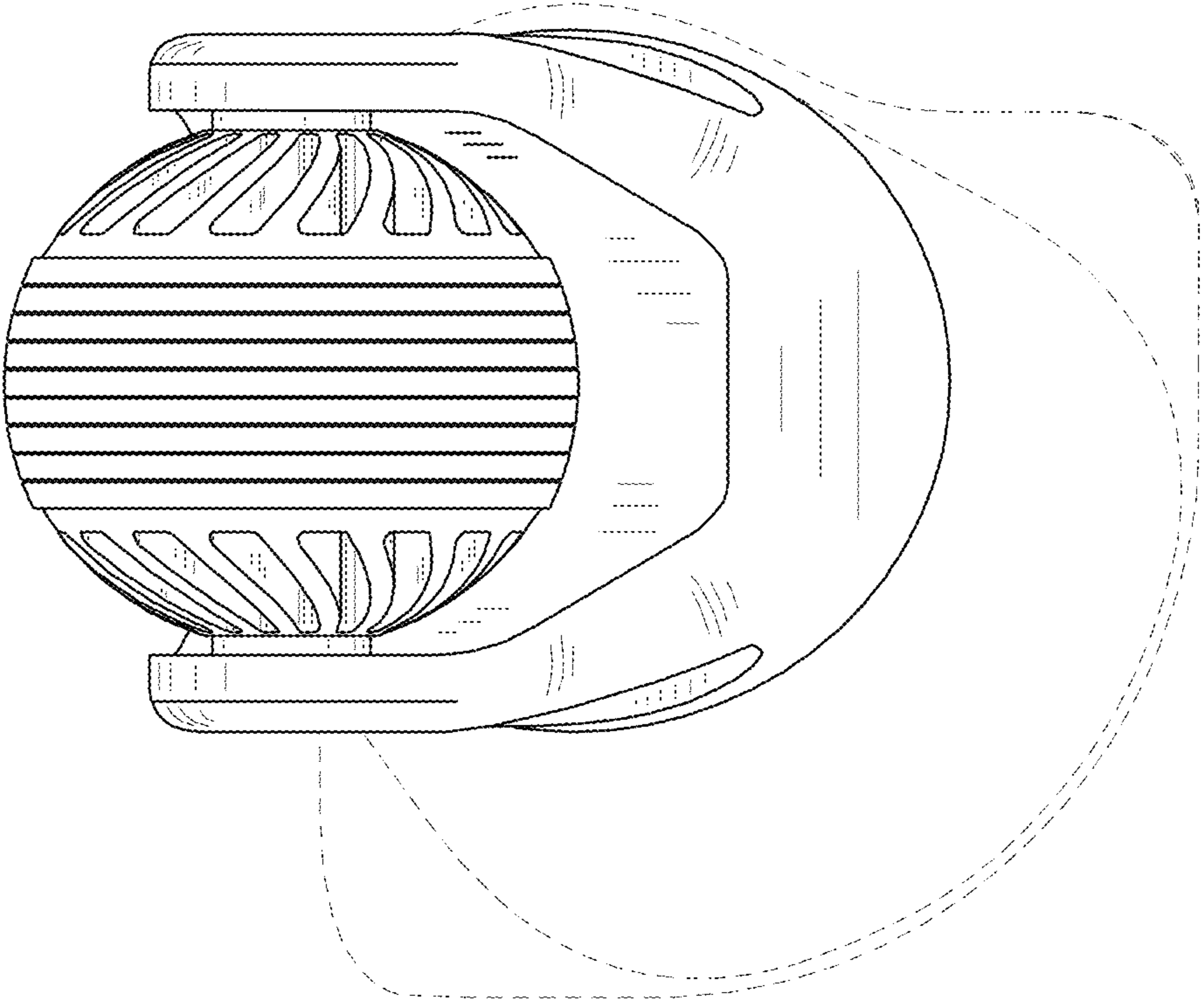


FIG. 7