



US00D703440S

(12) **United States Design Patent**  
**Terrell**

(10) **Patent No.:** **US D703,440 S**

(45) **Date of Patent:** **\*\* Apr. 29, 2014**

(54) **SHOE BAG**

(71) Applicant: **Amy Suzanne Terrell**, Atlanta, GA (US)

(72) Inventor: **Amy Suzanne Terrell**, Atlanta, GA (US)

(\*\*) Term: **14 Years**

(21) Appl. No.: **29/452,159**

(22) Filed: **Apr. 12, 2013**

(51) **LOC (10) Cl.** ..... **03-01**

(52) **U.S. Cl.**  
USPC ..... **D3/289**

(58) **Field of Classification Search**

USPC ..... 206/292, 278; 383/25, 97; D3/301, 300,  
D3/273, 276, 283, 285, 289; 190/108-110,  
190/111, 115-117, 903

See application file for complete search history.

(56) **References Cited**

**U.S. PATENT DOCUMENTS**

2,276,765 A \* 3/1942 De Gree ..... 206/278  
D634,931 S \* 3/2011 Terrell ..... D3/289  
D649,784 S \* 12/2011 Terrell ..... D3/289

D658,375 S \* 5/2012 Schiffman ..... D3/290  
D691,805 S \* 10/2013 Chang ..... D3/301  
2011/0073502 A1 \* 3/2011 Greene et al. .... 206/292

\* cited by examiner

*Primary Examiner* — Jennifer Rivard

(74) *Attorney, Agent, or Firm* — Rodgers & Rodgers

(57) **CLAIM**

The ornamental design for a shoe bag, as shown and described.

**DESCRIPTION**

FIG. 1 is a perspective view of a shoe bag showing my new design;

FIG. 2 is a front elevational view thereof;

FIG. 3 is a top plan view thereof;

FIG. 4 is a right-side elevational view thereof;

FIG. 5 is a left-side elevational view thereof;

FIG. 6 is a bottom plan view thereof;

FIG. 7 is a rear elevational view thereof; and,

FIG. 8 is a perspective view depicting shoes contained within the shoe bag.

The dashed lines in FIG. 8 are included for purposes of illustrating a pair of shoes disposed in the shoe bag and form no part of the claimed design.

**1 Claim, 4 Drawing Sheets**

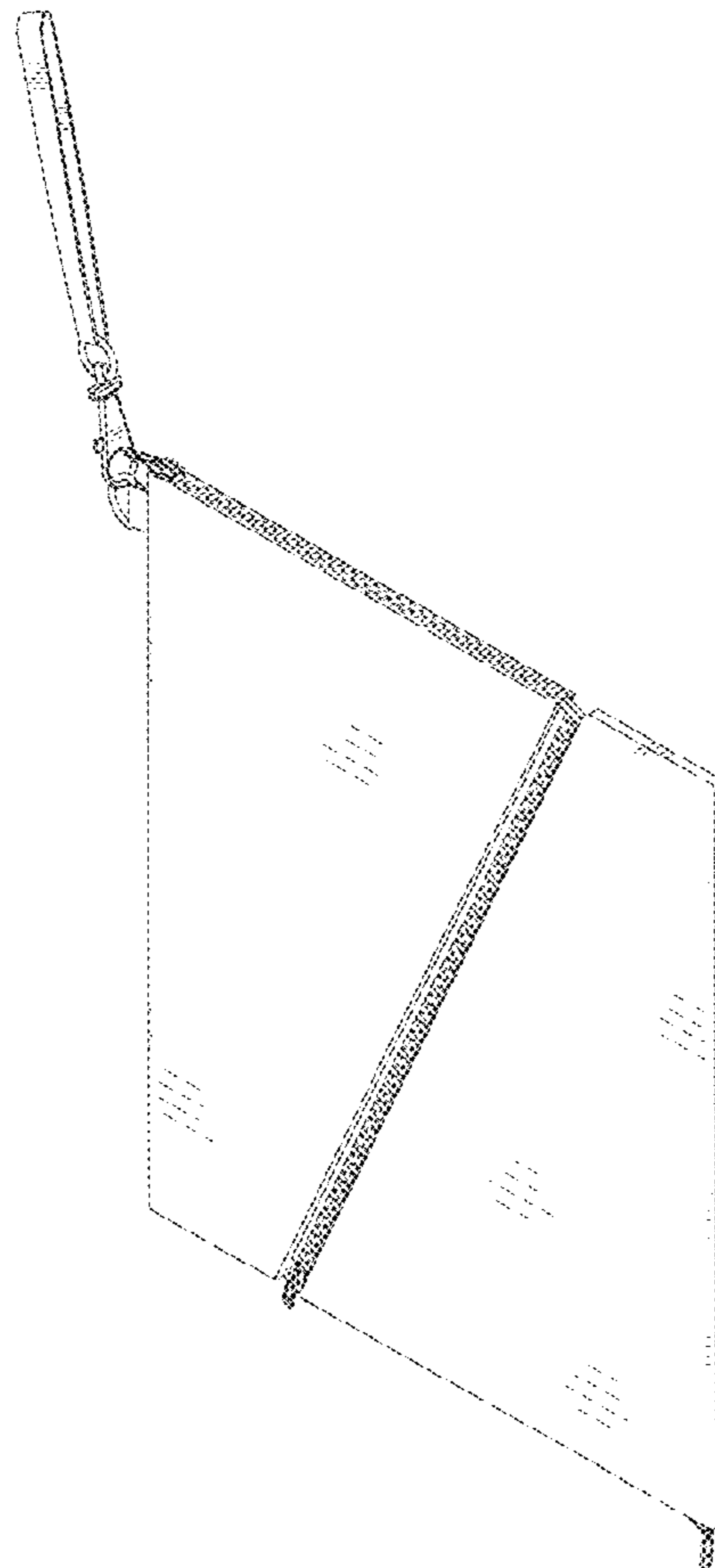
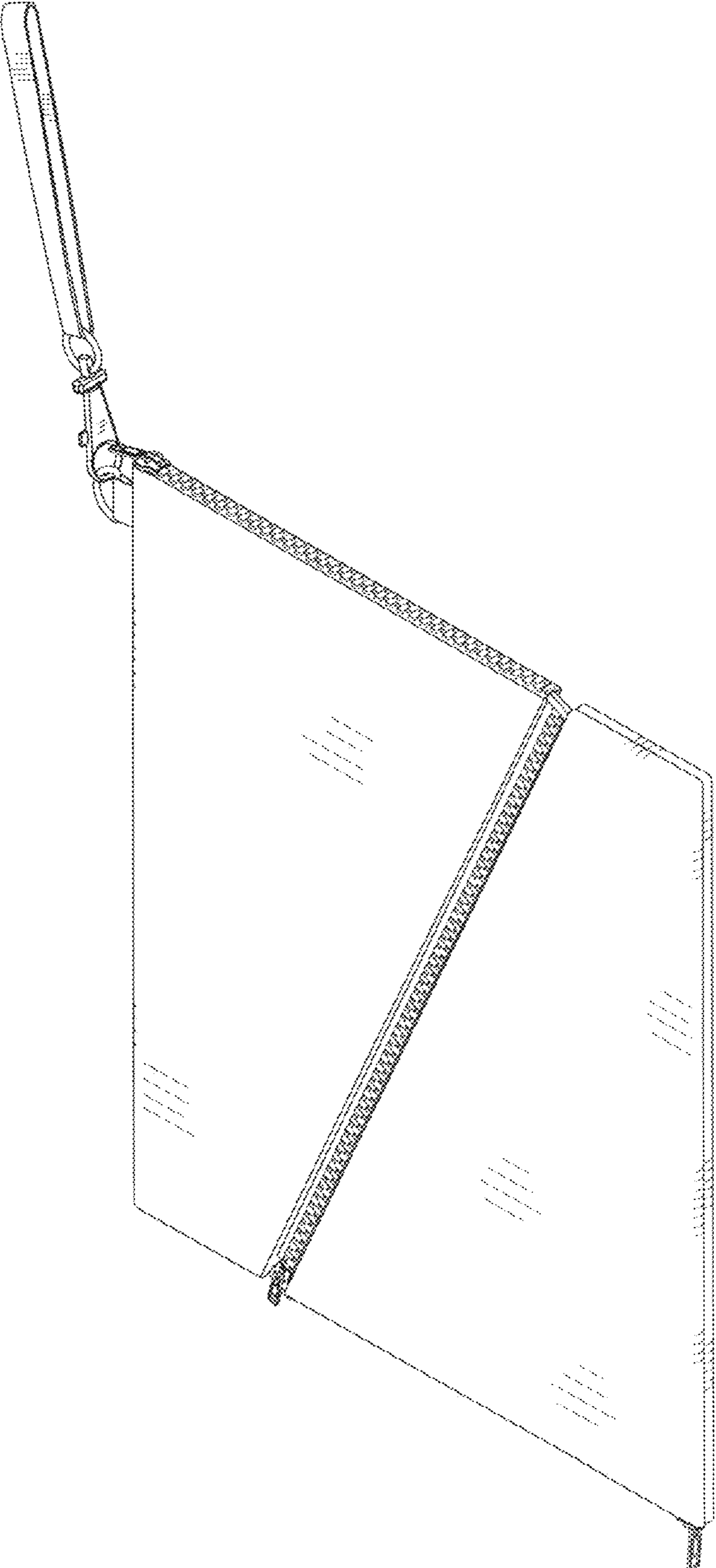


Fig 1



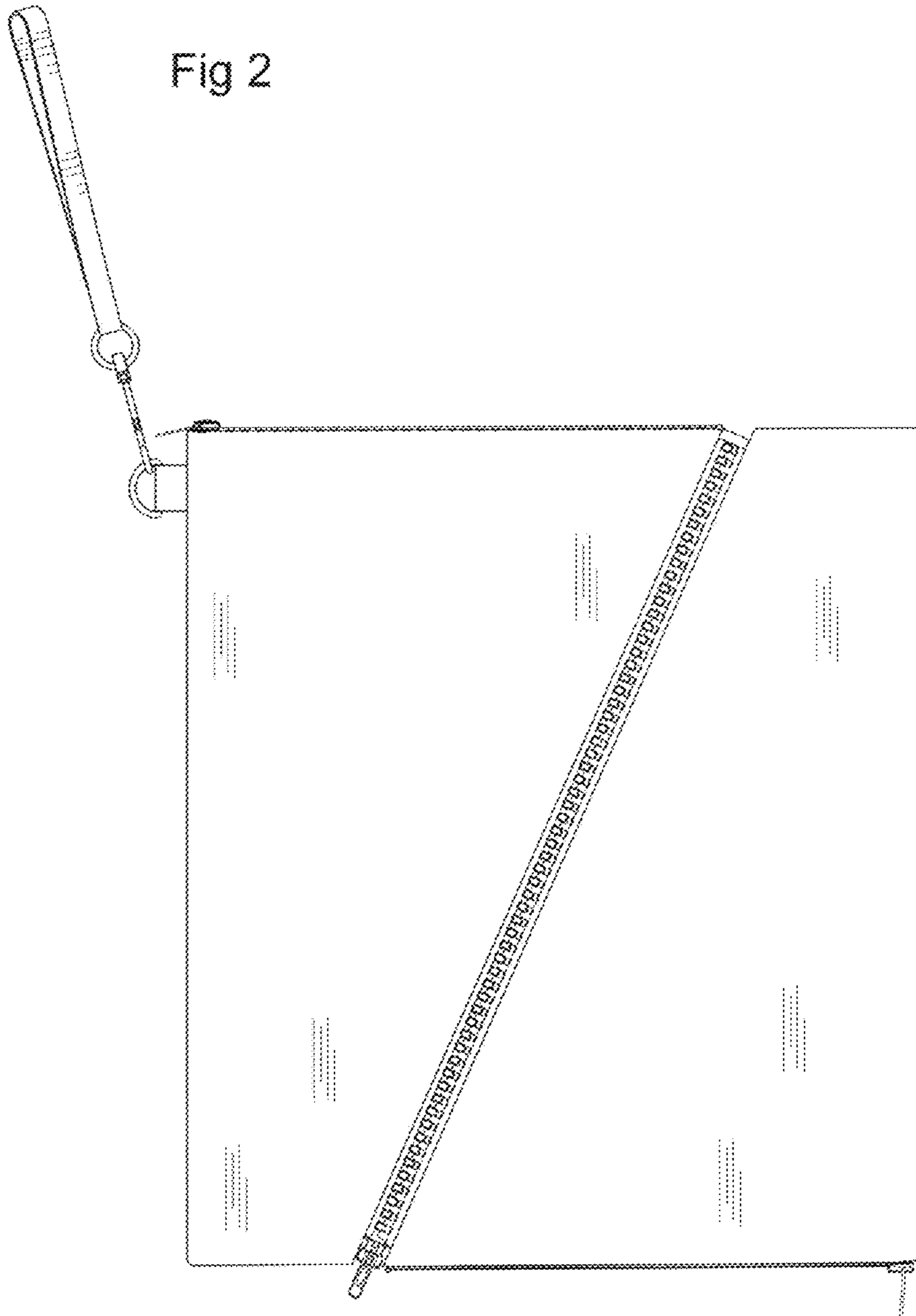


Fig 2

Fig 4

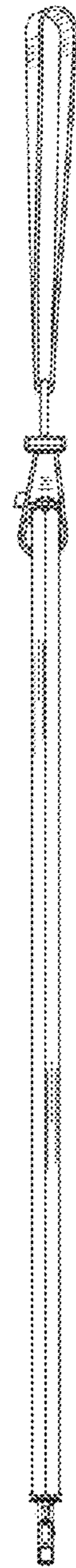
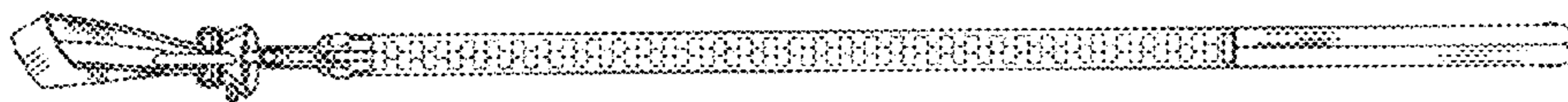


Fig 3



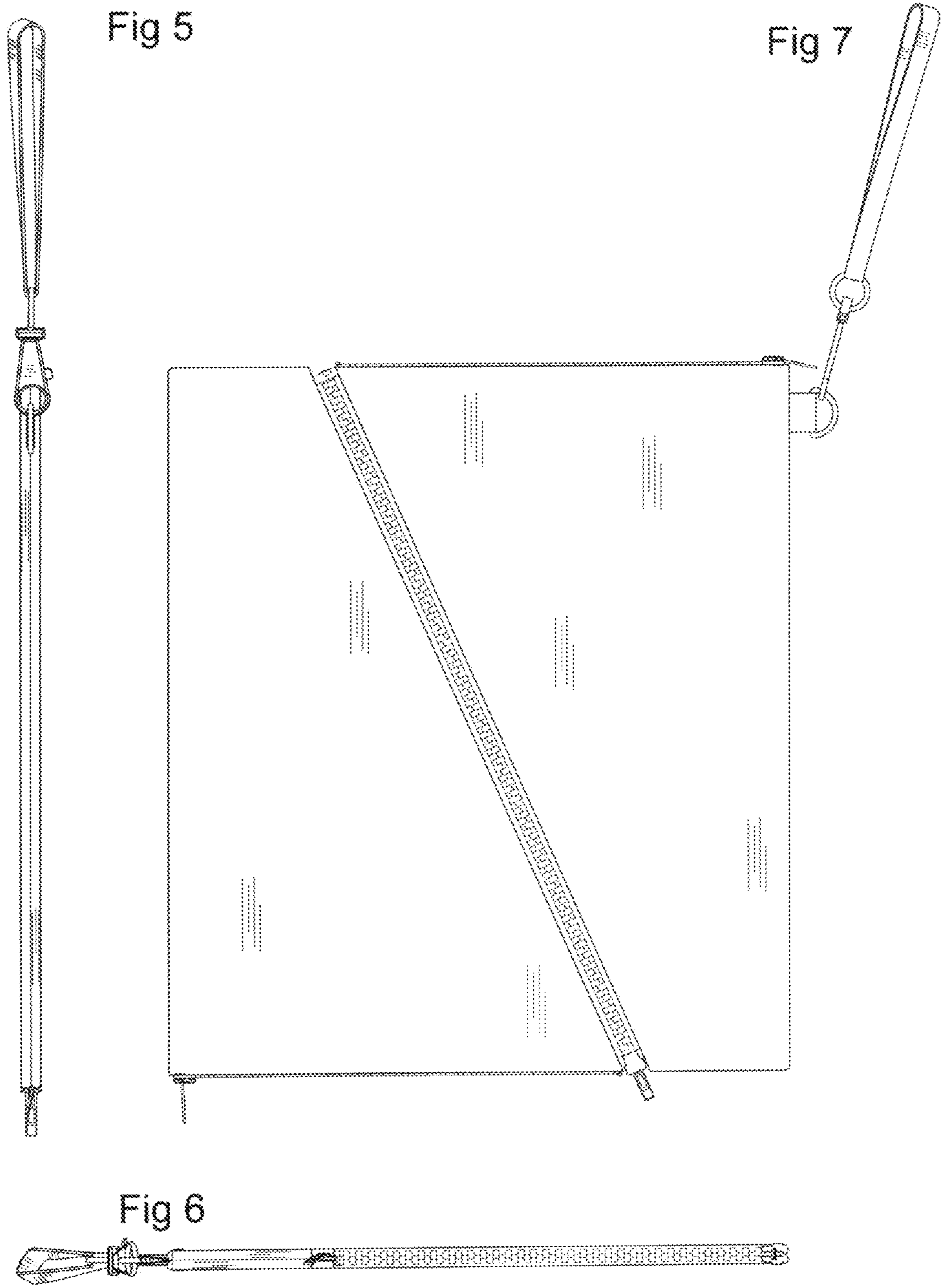


Fig 8

