



US00D703439S

(12) **United States Design Patent**
Fair

(10) **Patent No.:** **US D703,439 S**

(45) **Date of Patent:** **** Apr. 29, 2014**

(54) **CARRYING CASE**

U.S. Appl. No. 29/435,370, filed Oct. 23, 2012, Fair.

(71) Applicant: **Paul Fair**, Denver, CO (US)

* cited by examiner

(72) Inventor: **Paul Fair**, Denver, CO (US)

Primary Examiner — Jennifer Rivard

(73) Assignee: **Thule Organization Solutions, Inc.**,
Longmont, CO (US)

(74) *Attorney, Agent, or Firm* — Sheridan Ross P.C.

(**) Term: **14 Years**

(57) **CLAIM**

The ornamental design for a carrying case, as shown and described.

(21) Appl. No.: **29/435,369**

DESCRIPTION

(22) Filed: **Oct. 23, 2012**

(51) **LOC (10) Cl.** **03-01**

(52) **U.S. Cl.**
USPC **D3/289; D3/301; D3/900**

(58) **Field of Classification Search**
USPC D3/273, 274, 276, 282, 284, 285, 286,
D3/288, 289, 290, 299, 300, 301, 303,
D3/900; 190/900-903, 115; 206/320, 576,
206/45.23

See application file for complete search history.

FIG. 1 is a front perspective view of the carrying case;
FIG. 2 is a top plan view thereof;
FIG. 3 is a front elevation view thereof;
FIG. 4 is a right elevation view thereof;
FIG. 5 is a left elevation view thereof;
FIG. 6 is a rear elevation view thereof;
FIG. 7 is a bottom plan view thereof;
FIG. 8 is a front perspective view of the carrying case of FIG. 1 in an open position;
FIG. 9 is a front perspective view of a carrying case according to an alternative embodiment;
FIG. 10 is a top plan view of the carrying case of FIG. 9;
FIG. 11 is a front elevation view of the carrying case of FIG. 9;
FIG. 12 is a right elevation view of the carrying case of FIG. 9;
FIG. 13 is a left elevation view of the carrying case of FIG. 9;
FIG. 14 is a rear elevation view of the carrying case of FIG. 9;
FIG. 15 is a bottom plan view of the carrying case of FIG. 9; and,
FIG. 16 is a front perspective view of the carrying case of FIG. 9 in an open position.
The broken lines showing a carrying case are included for the purpose of illustrating environment and form no part of the claimed design.

(56) **References Cited**

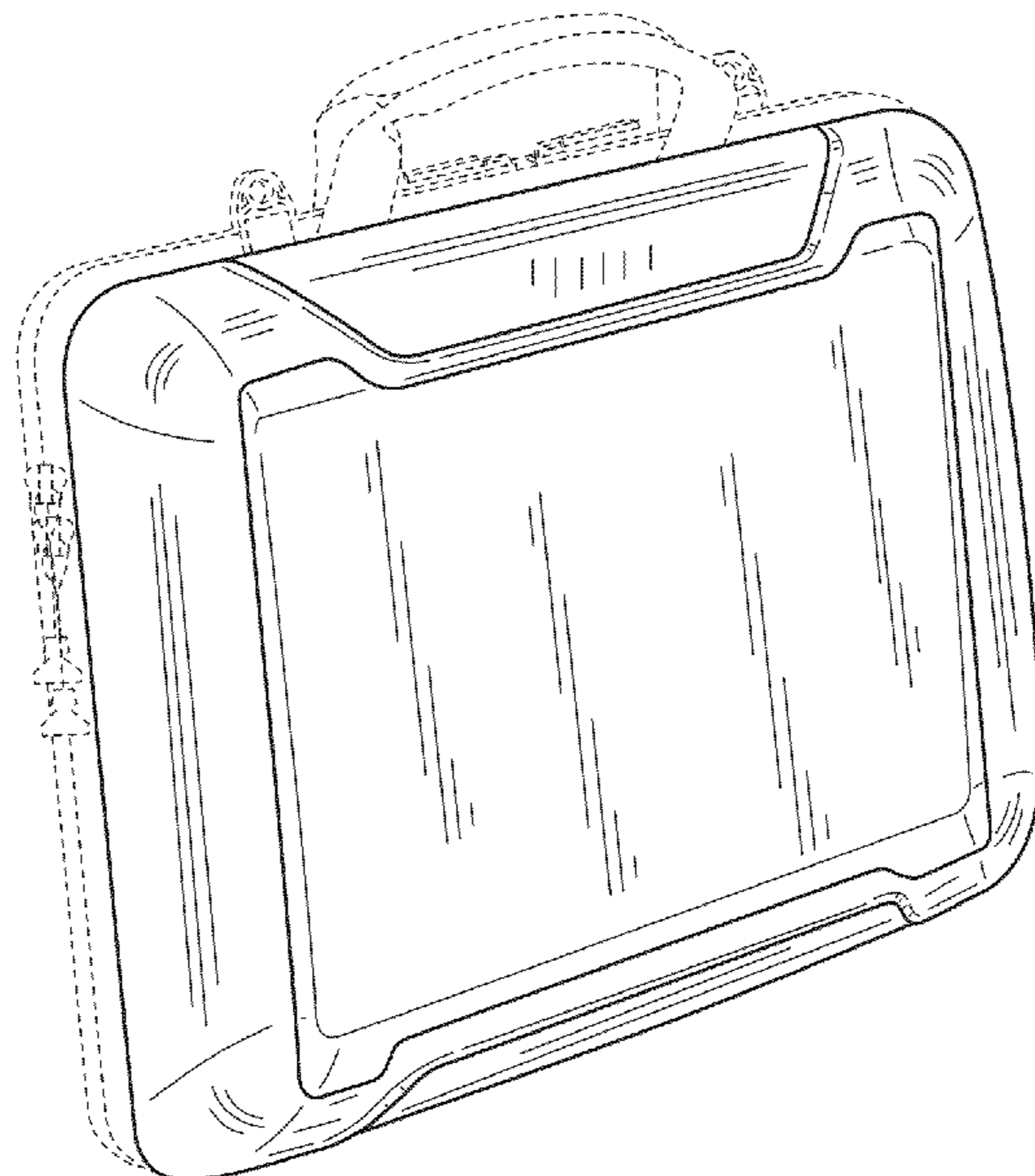
U.S. PATENT DOCUMENTS

D409,385 S *	5/1999	Pearson et al.	D3/301
D413,440 S *	9/1999	Schurman	D3/282
D435,591 S *	12/2000	Wyant	D3/303
D458,127 S *	6/2002	de Groote	D3/294
D540,035 S *	4/2007	Gerard et al.	D3/264
D643,214 S *	8/2011	Weedon et al.	D3/276
D665,170 S *	8/2012	Lipfert et al.	D3/301
D668,872 S *	10/2012	Fair et al.	D3/289
D691,801 S *	10/2013	Lin	D3/282

OTHER PUBLICATIONS

U.S. Appl. No. 29/435,367, filed Oct. 23, 2012, Fair.

1 Claim, 8 Drawing Sheets



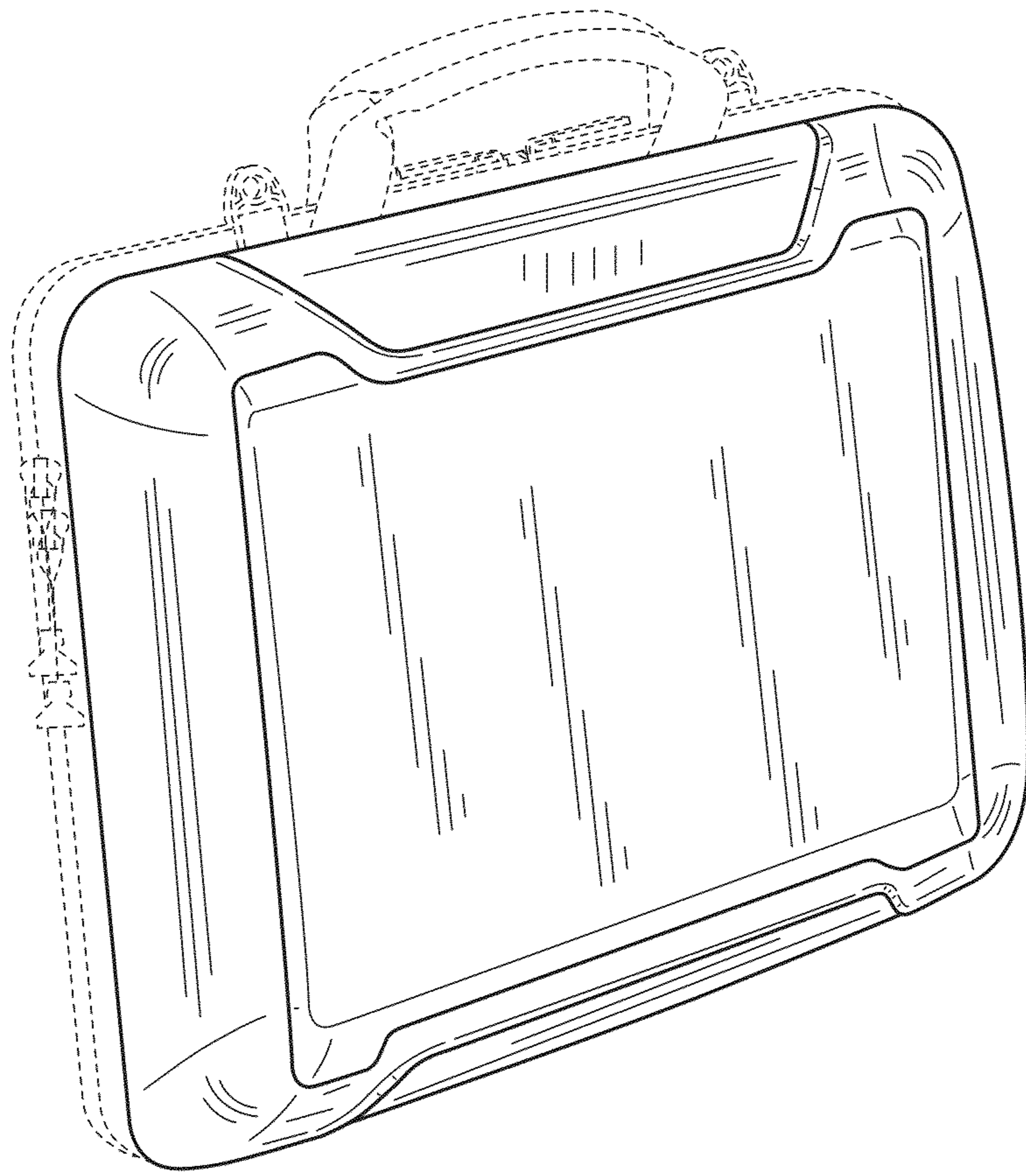


FIG.1

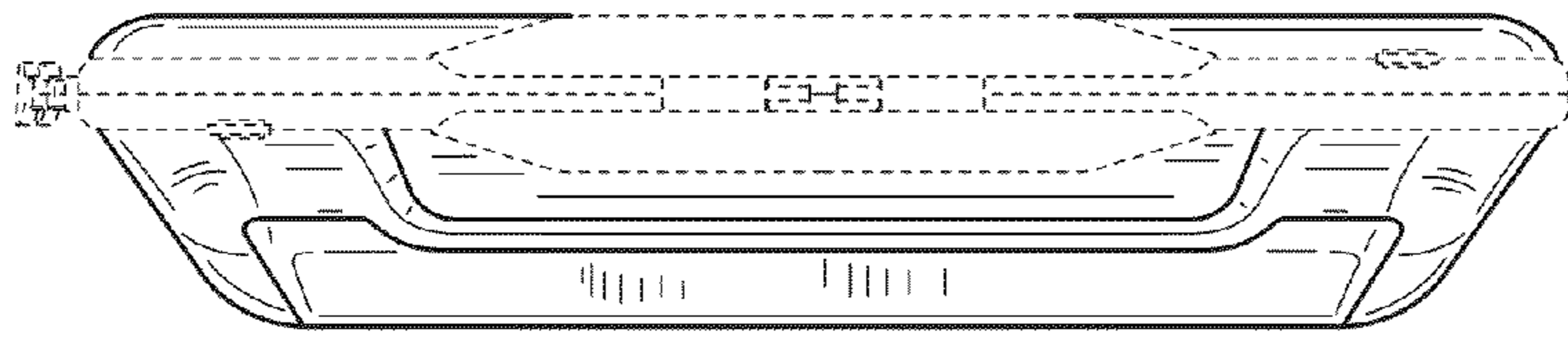


FIG. 2

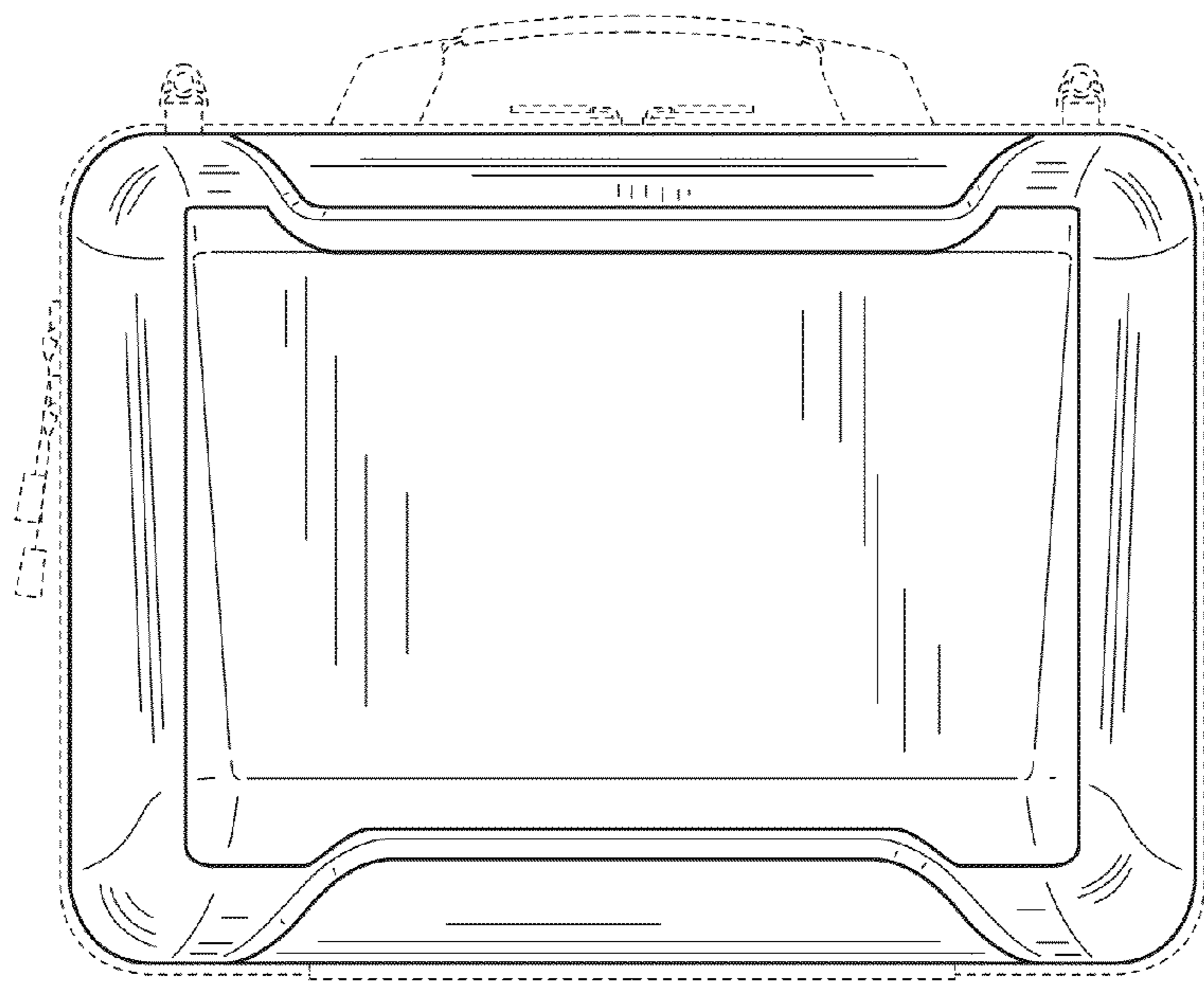


FIG. 3

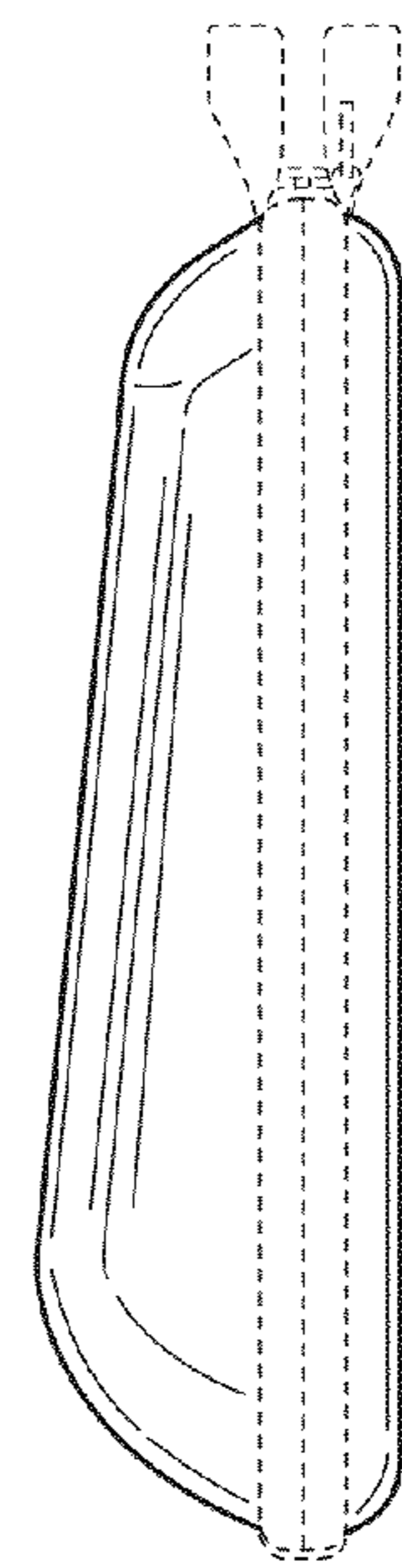


FIG. 4

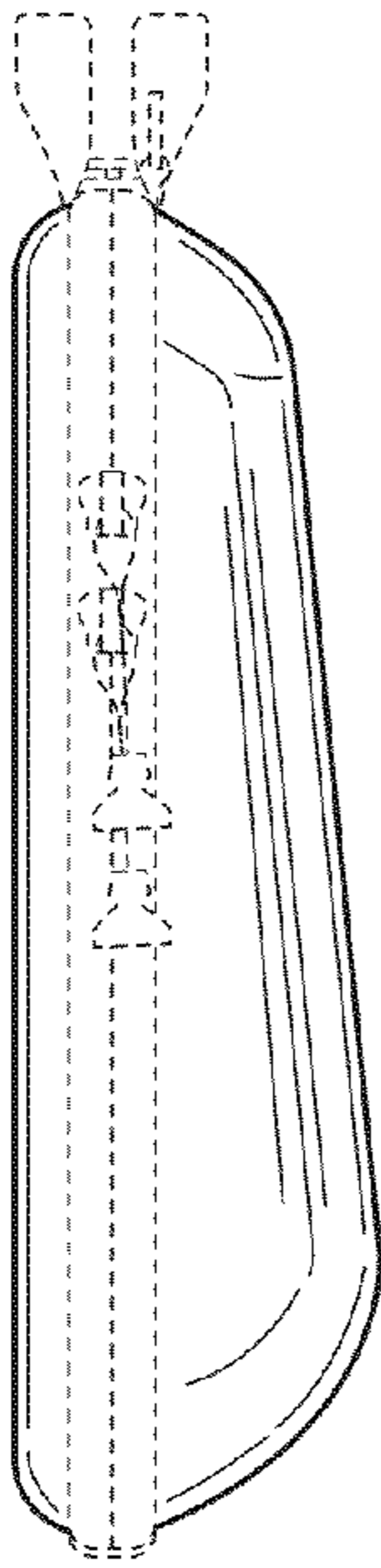


FIG. 5

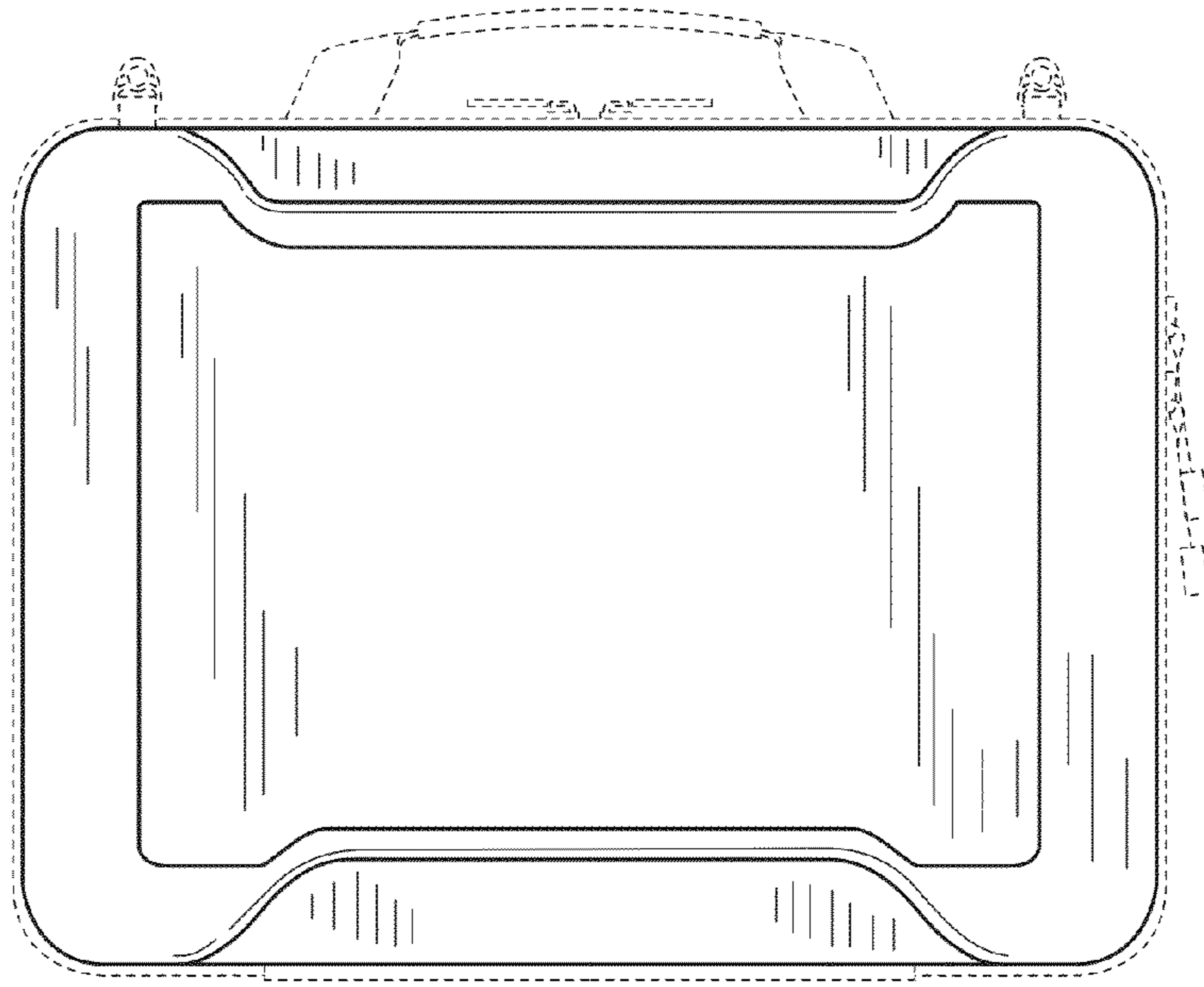


FIG. 6

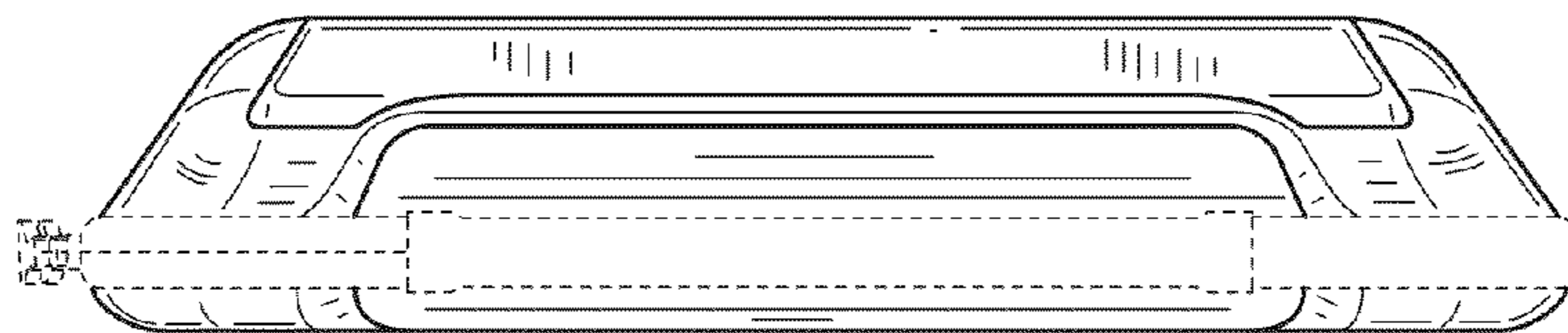


FIG. 7

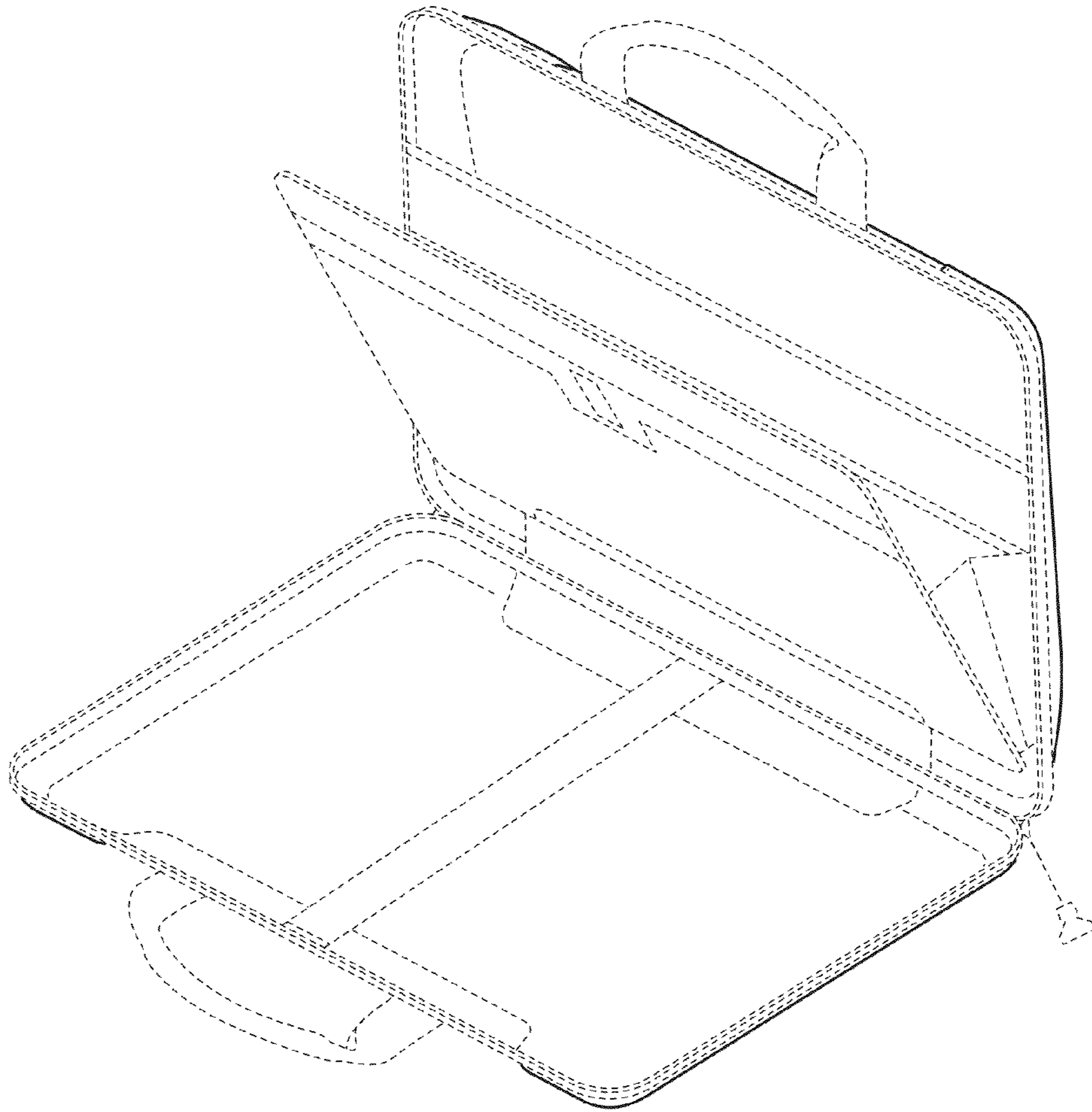


FIG.8

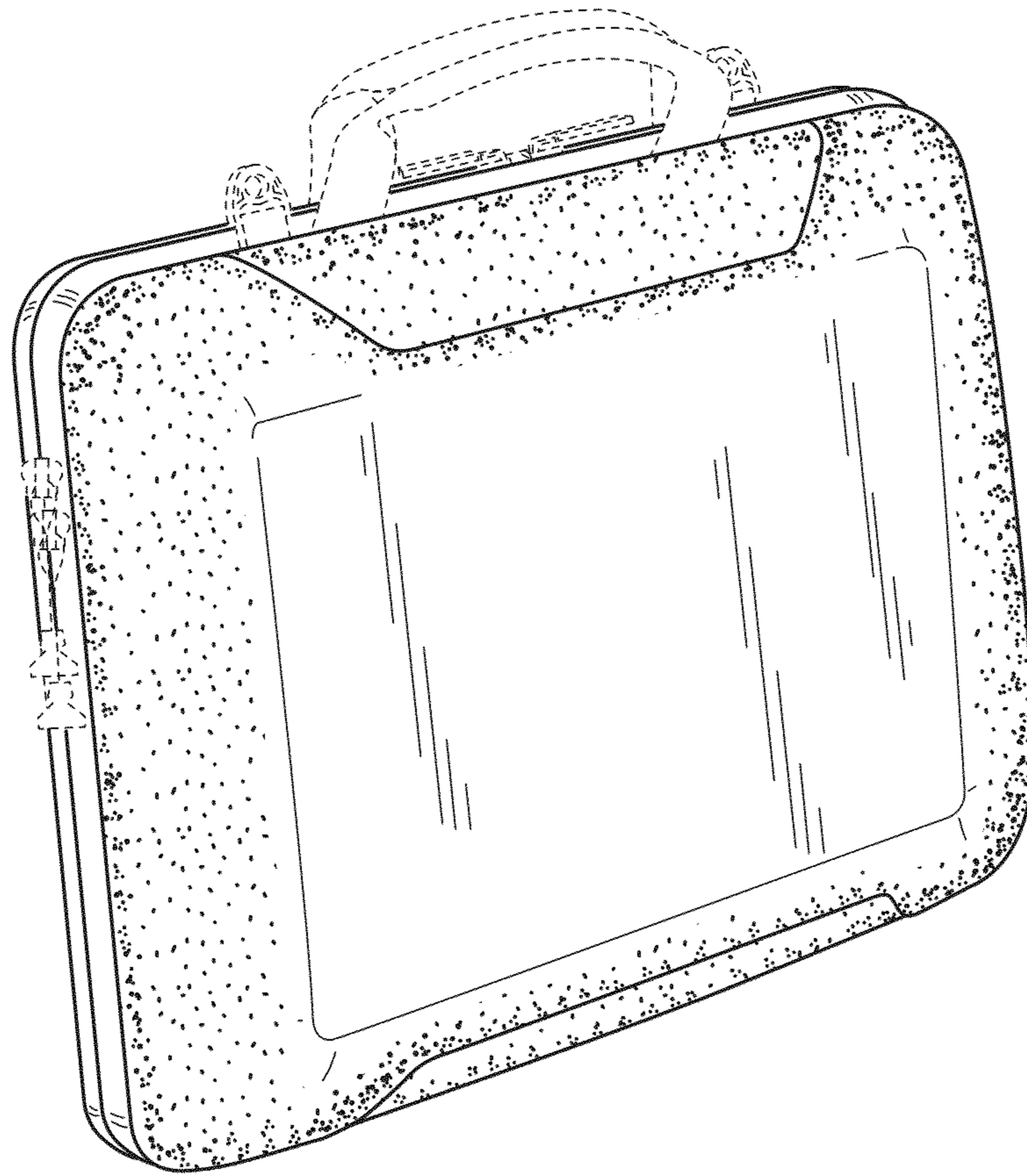


FIG.9

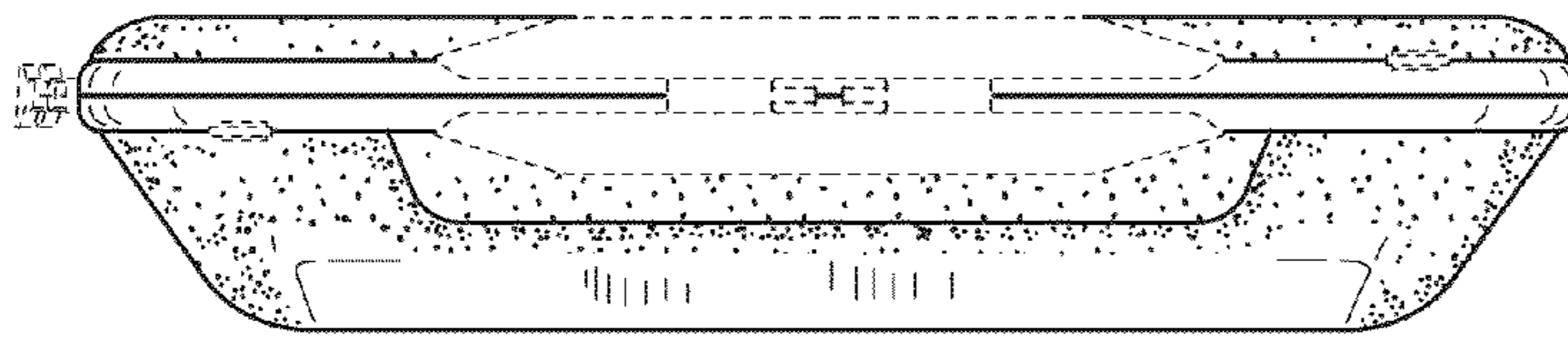


FIG. 10

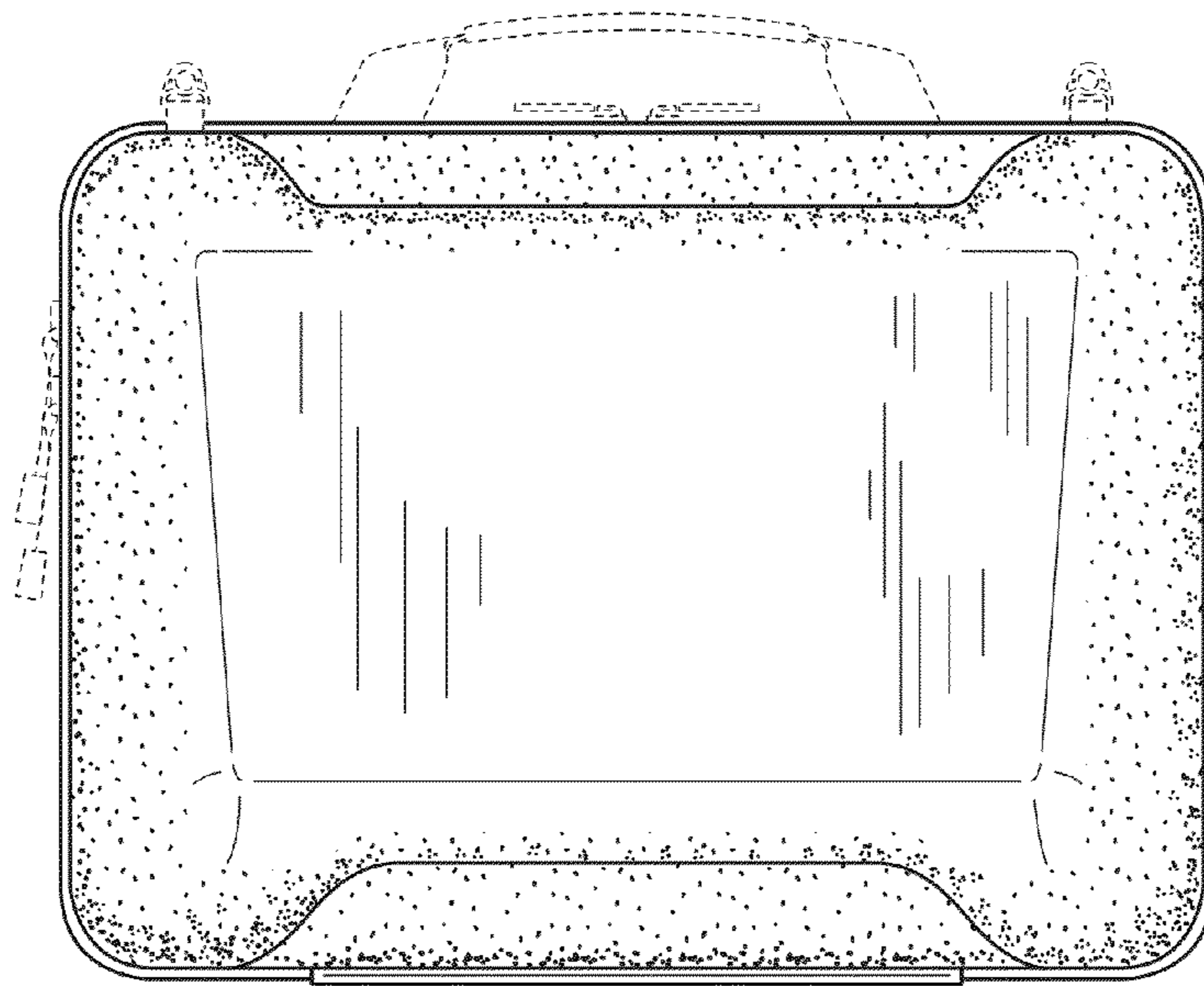


FIG. 11

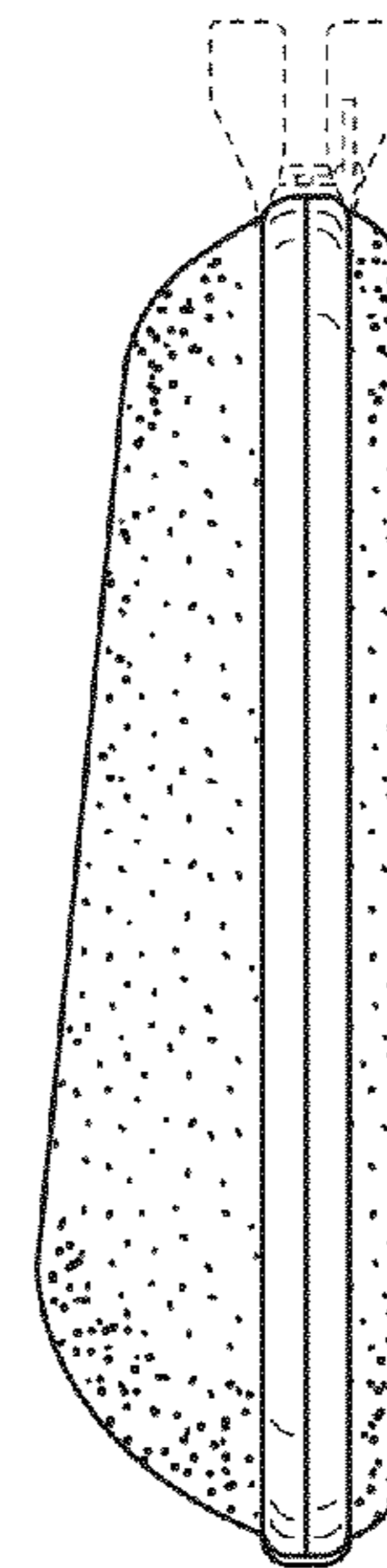


FIG. 12

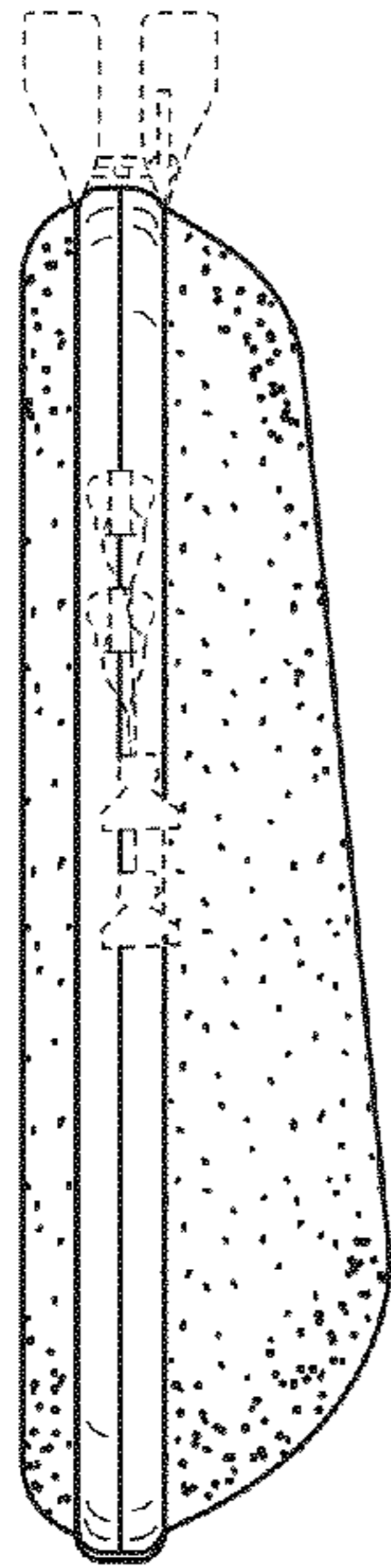


FIG. 13

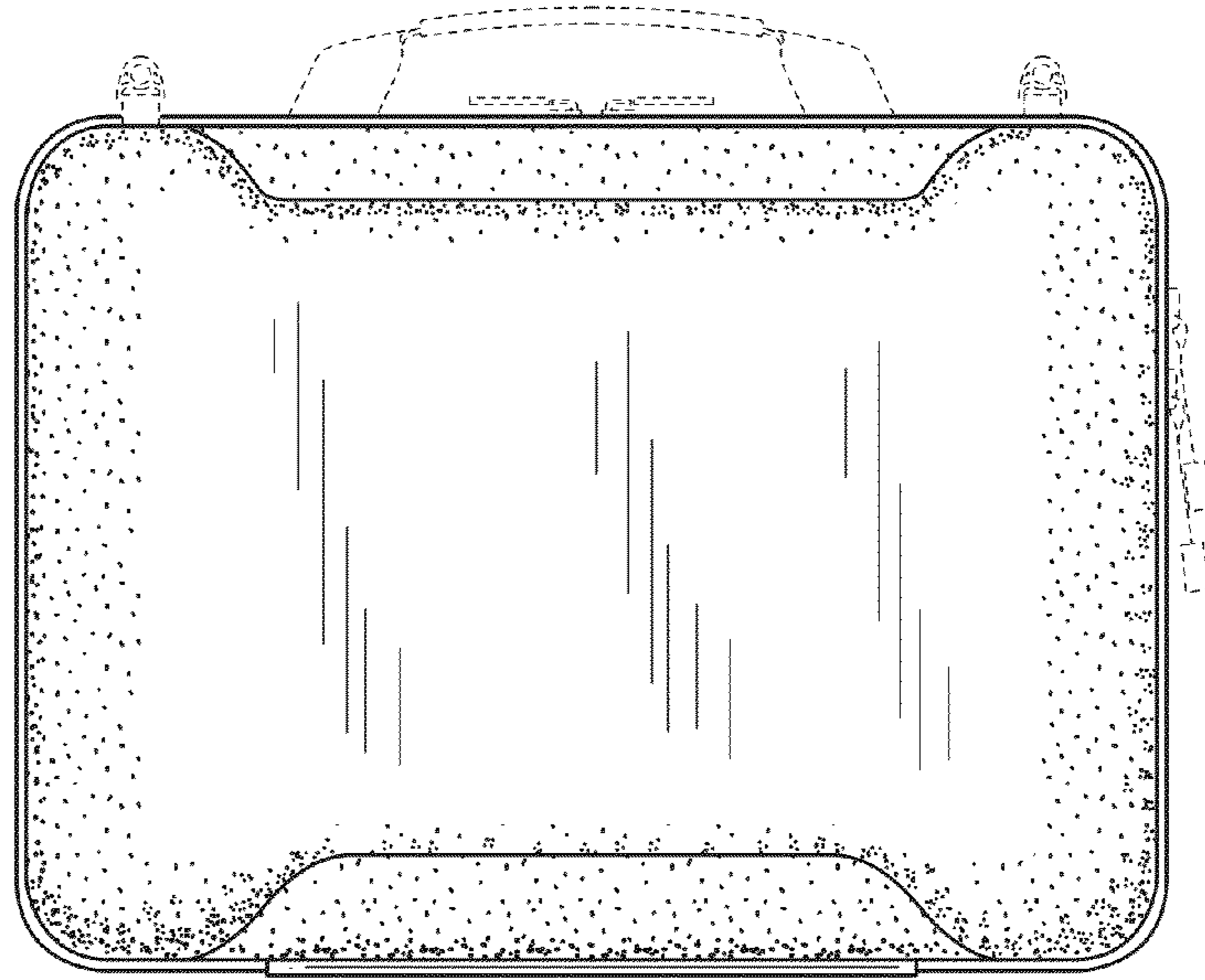


FIG. 14

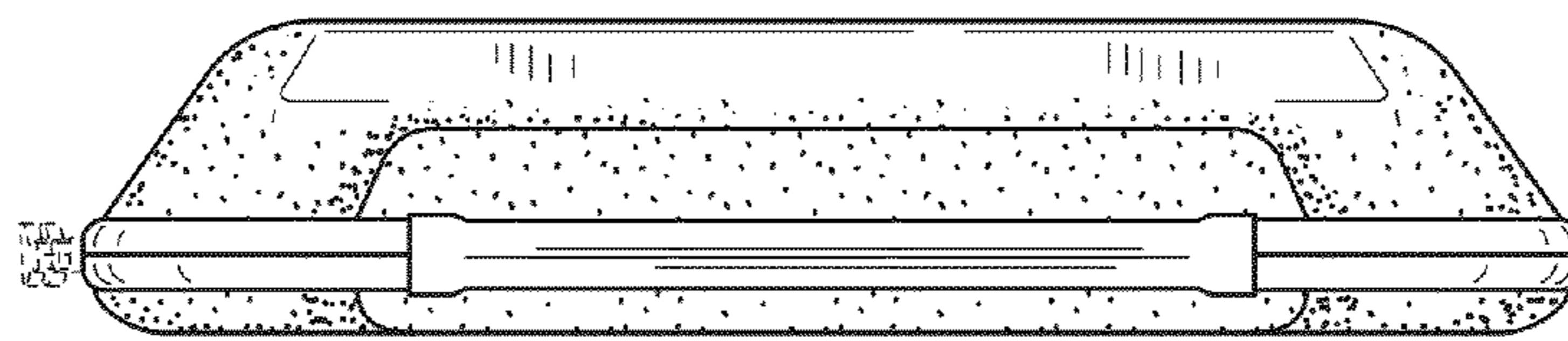


FIG. 15

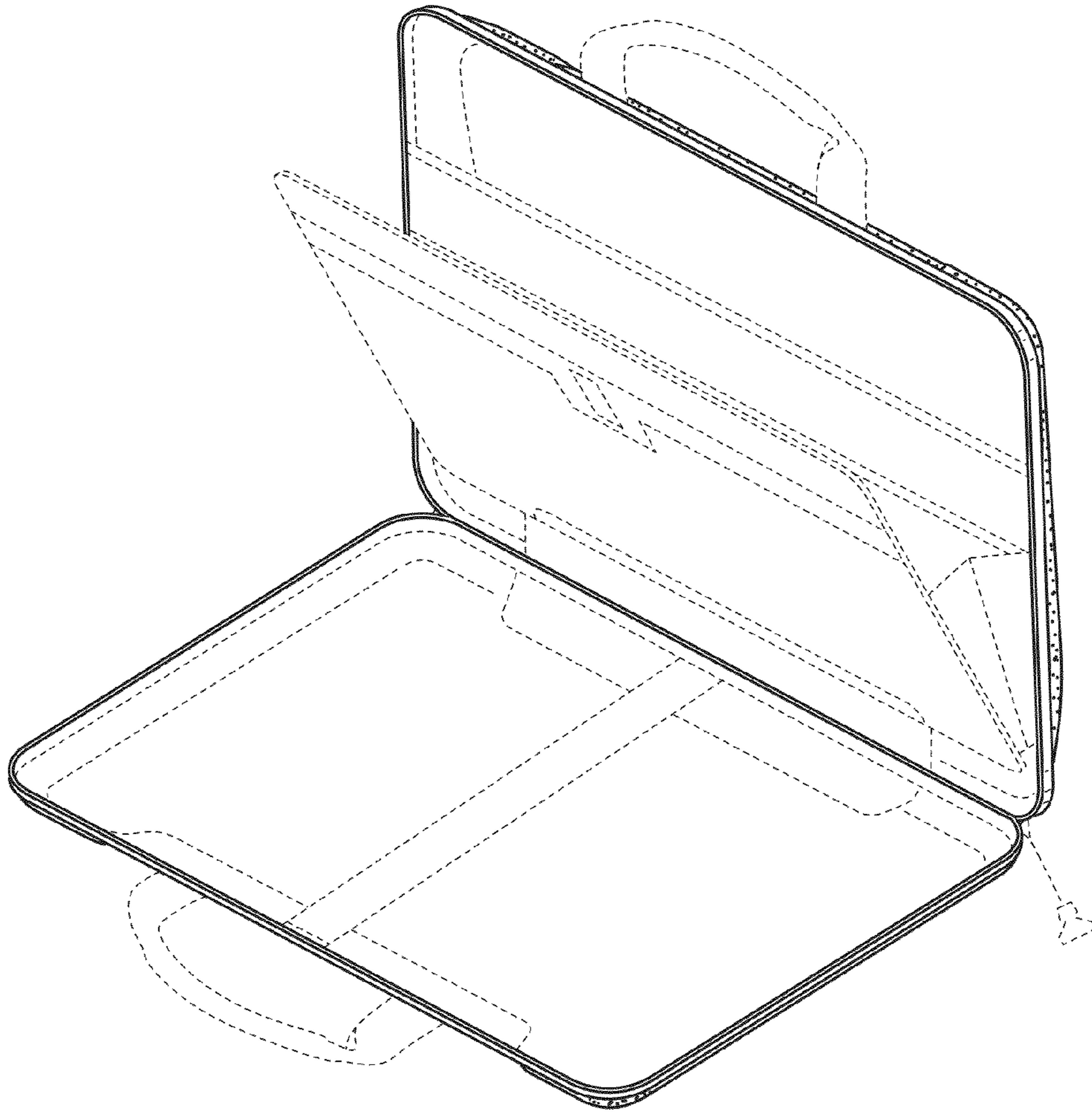


FIG.16