



US00D703437S

(12) **United States Design Patent**  
**Bar-Erez**

(10) **Patent No.:** **US D703,437 S**  
(45) **Date of Patent:** **\*\* Apr. 29, 2014**

(54) **CONTAINER**

(71) Applicant: **The Stanley Works Israel Ltd.**, Rosh Ha'Ayin (IL)

(72) Inventor: **Sharon Fella Bar-Erez**, Emek Hefer (IL)

(73) Assignee: **The Stanley Works Israel Ltd.** (IL)

(\*\*) Term: **14 Years**

(21) Appl. No.: **29/438,492**

(22) Filed: **Nov. 30, 2012**

(30) **Foreign Application Priority Data**

Jun. 6, 2012 (EM) ..... 001329569

(51) **LOC (10) Cl.** ..... **03-01**

(52) **U.S. Cl.**  
USPC ..... **D3/282; D3/905**

(58) **Field of Classification Search**  
USPC ..... D3/273, 276, 281, 282, 283–286,  
D3/294–297, 905; 220/523, 524, 527,  
220/4.27; 206/349, 372–379

See application file for complete search history.

(56) **References Cited**

U.S. PATENT DOCUMENTS

D502,316	S	*	3/2005	Chen	.....	D3/273
D516,311	S	*	3/2006	Lai	.....	D3/282
D601,797	S	*	10/2009	Wenche et al.	.....	D3/294
D608,094	S	*	1/2010	Concari et al.	.....	D3/282
D639,058	S	*	6/2011	Chiu	.....	D3/282
D664,356	S	*	7/2012	Liao	.....	D3/282
D668,455	S	*	10/2012	Chang	.....	D3/282
2008/0011635	A1	*	1/2008	Cho	.....	206/373

\* cited by examiner

*Primary Examiner* — Jennifer Rivard

(74) *Attorney, Agent, or Firm* — Bruce S. Shapiro; John Yun; Stephen R. Valancius

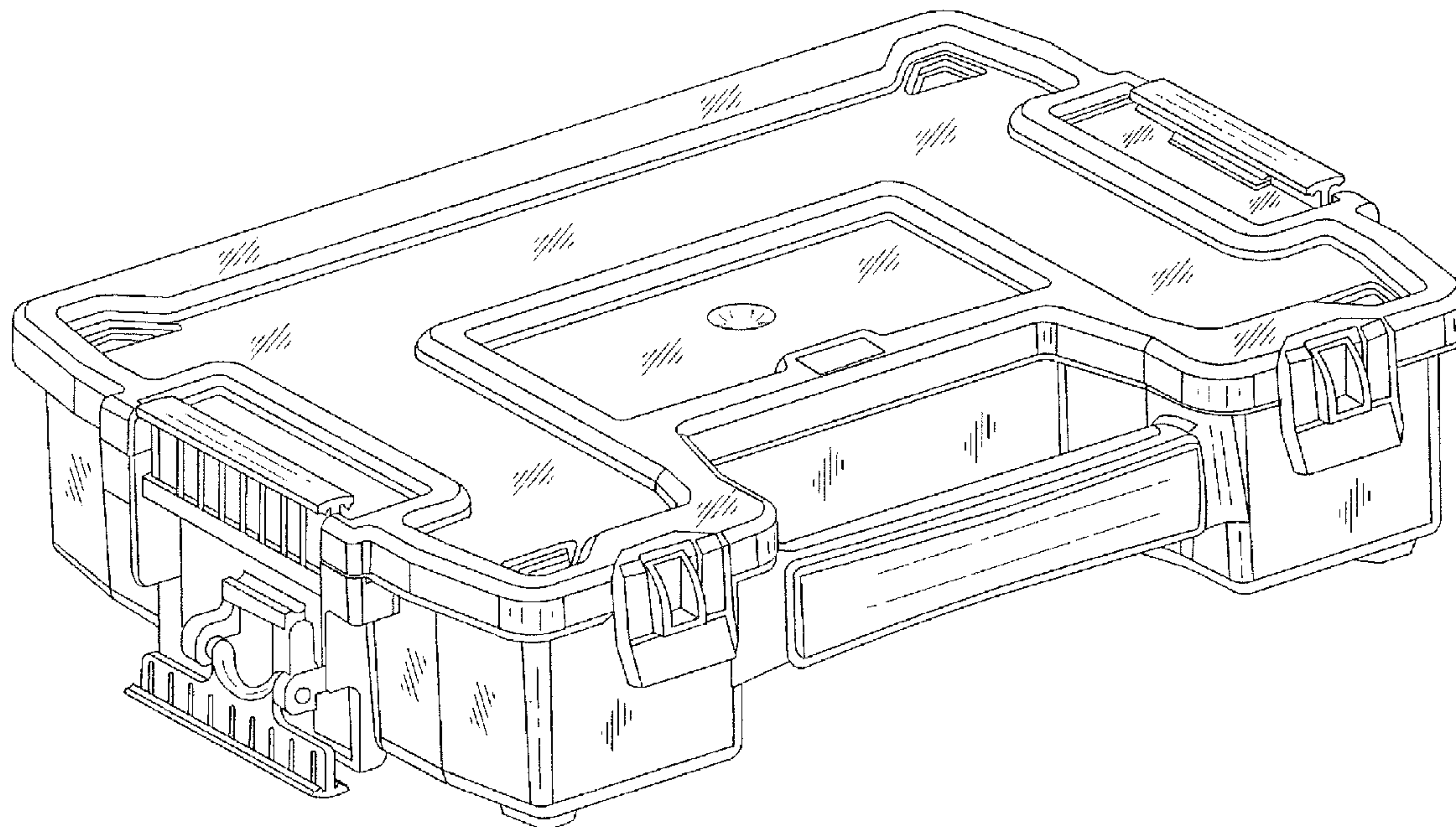
(57) **CLAIM**

The ornamental design for a container, as shown and described.

**DESCRIPTION**

FIG. 1 is a left front perspective view of my new design.  
FIG. 2 is a right side view thereof.  
FIG. 3 is a left side view thereof.  
FIG. 4 is a front view thereof.  
FIG. 5 is a rear view thereof.  
FIG. 6 is a top view thereof; and,  
FIG. 7 is a bottom view thereof.

**1 Claim, 5 Drawing Sheets**



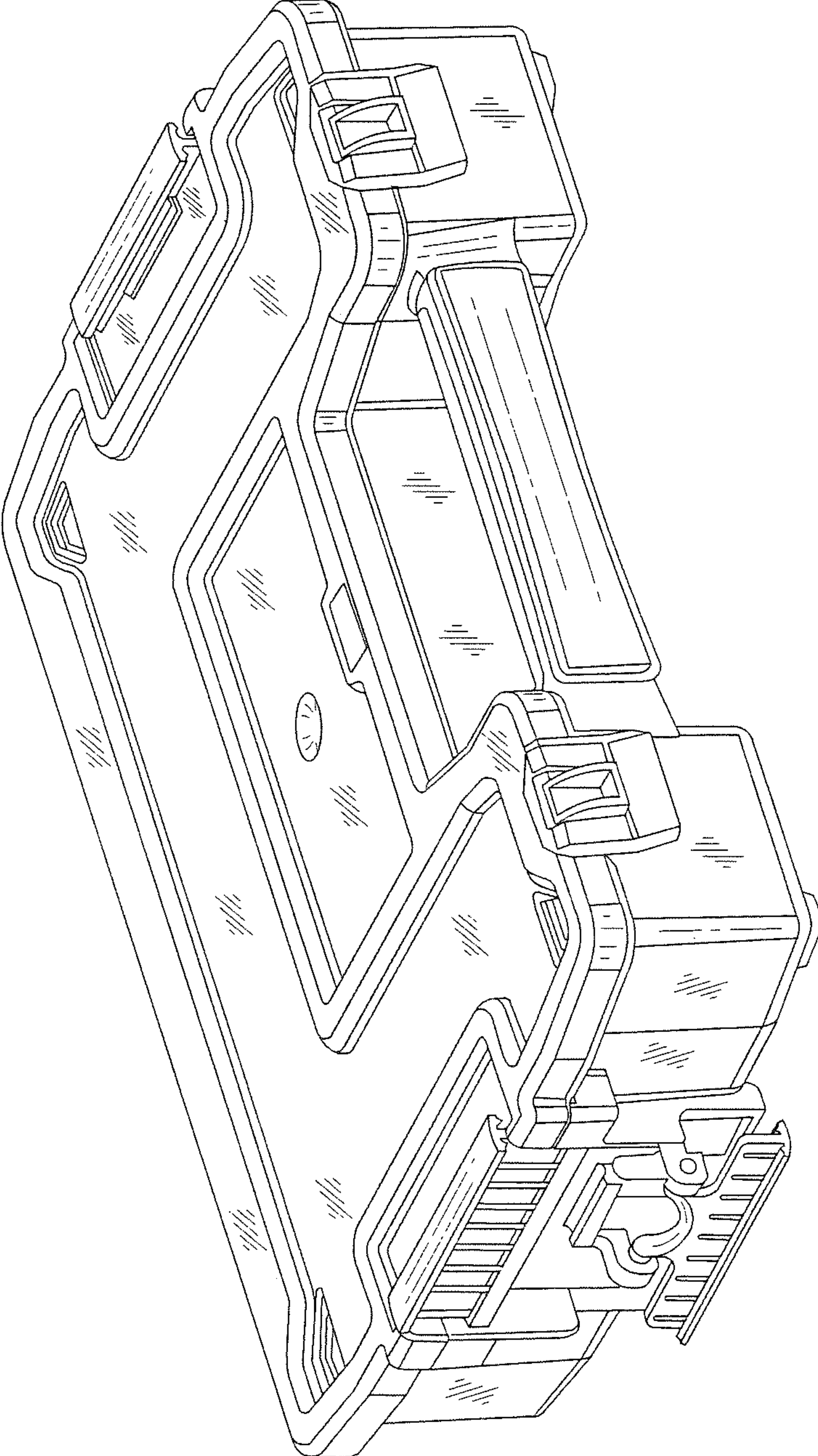


FIG.1

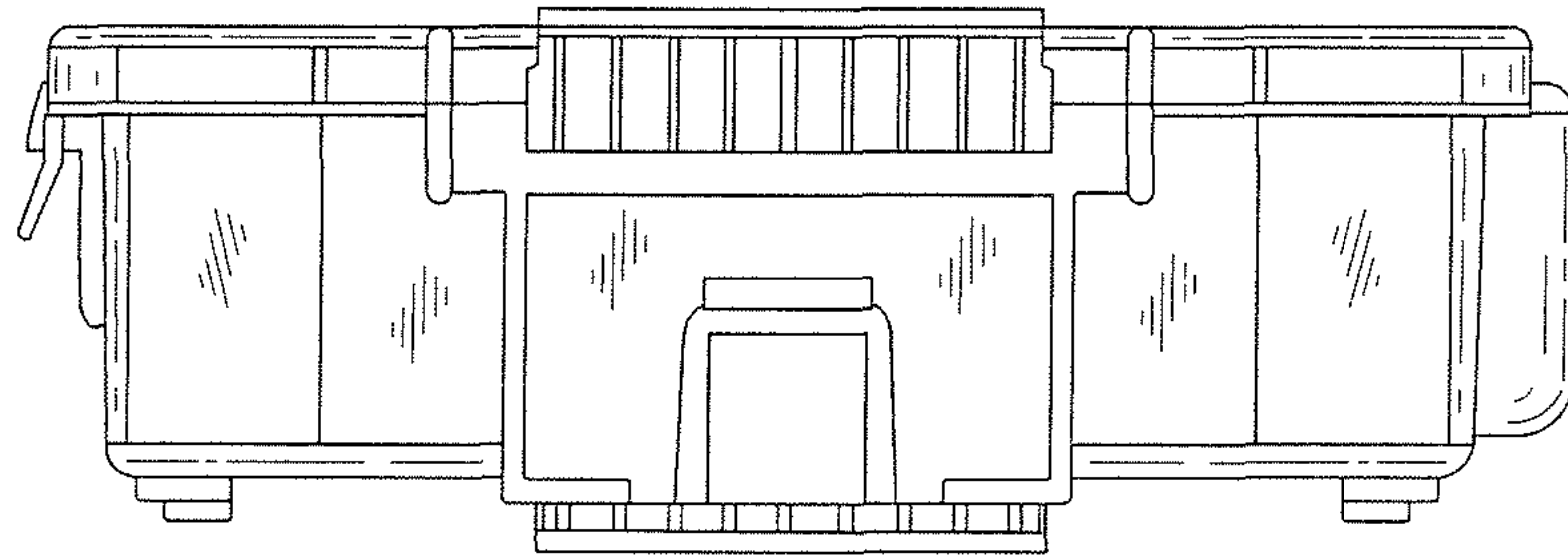


FIG. 2

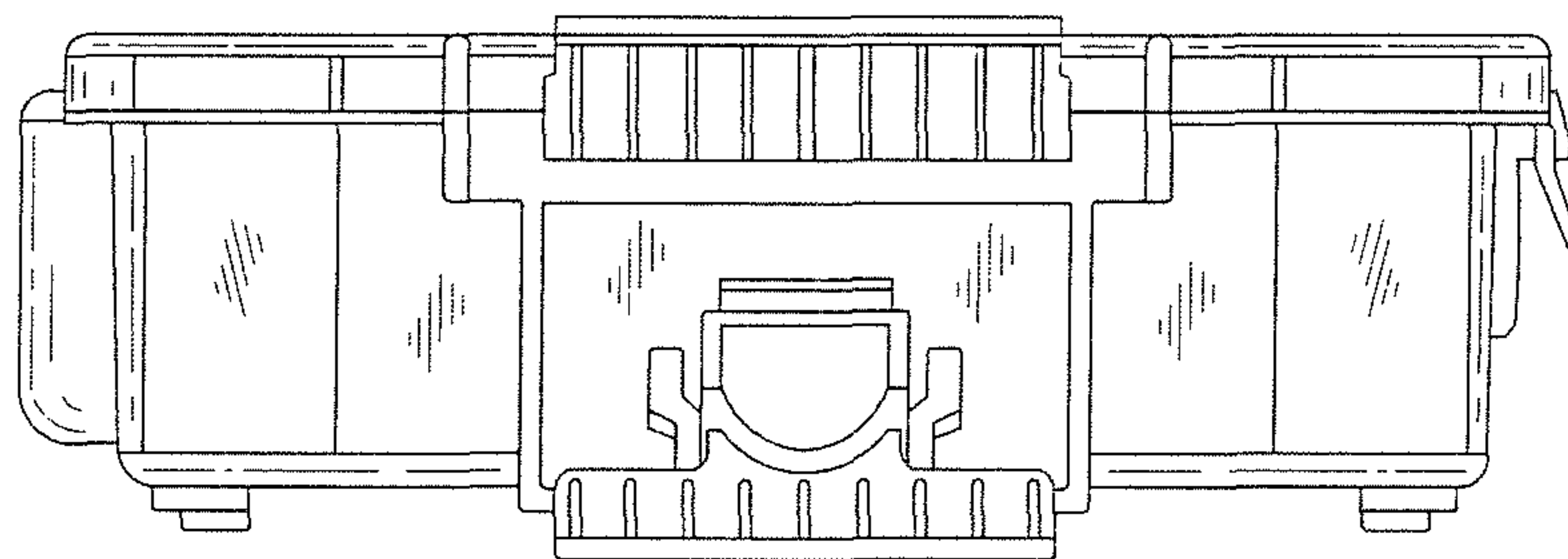


FIG. 3

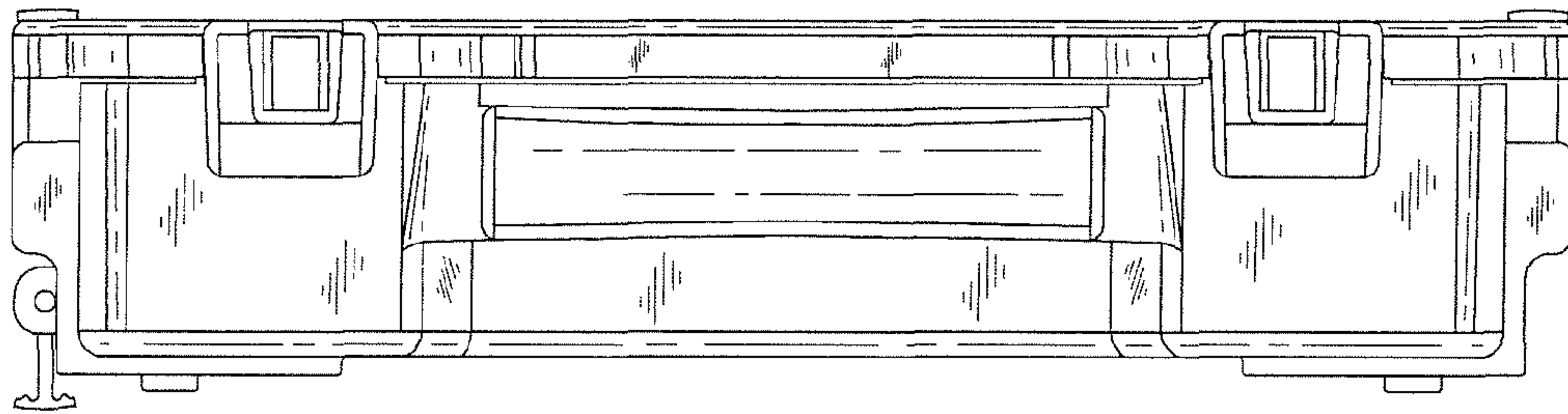


FIG. 4

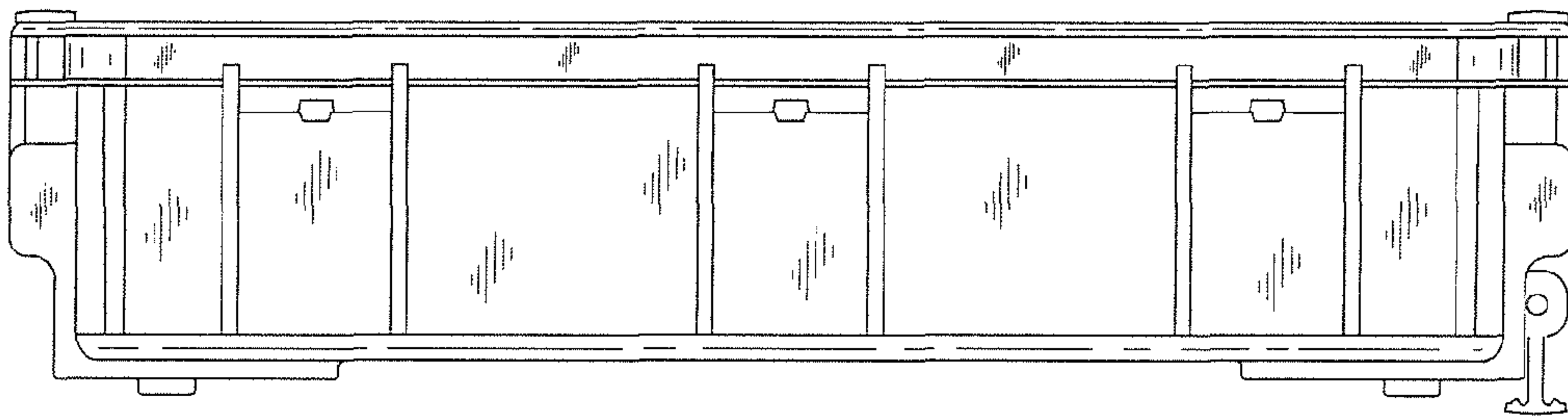


FIG. 5



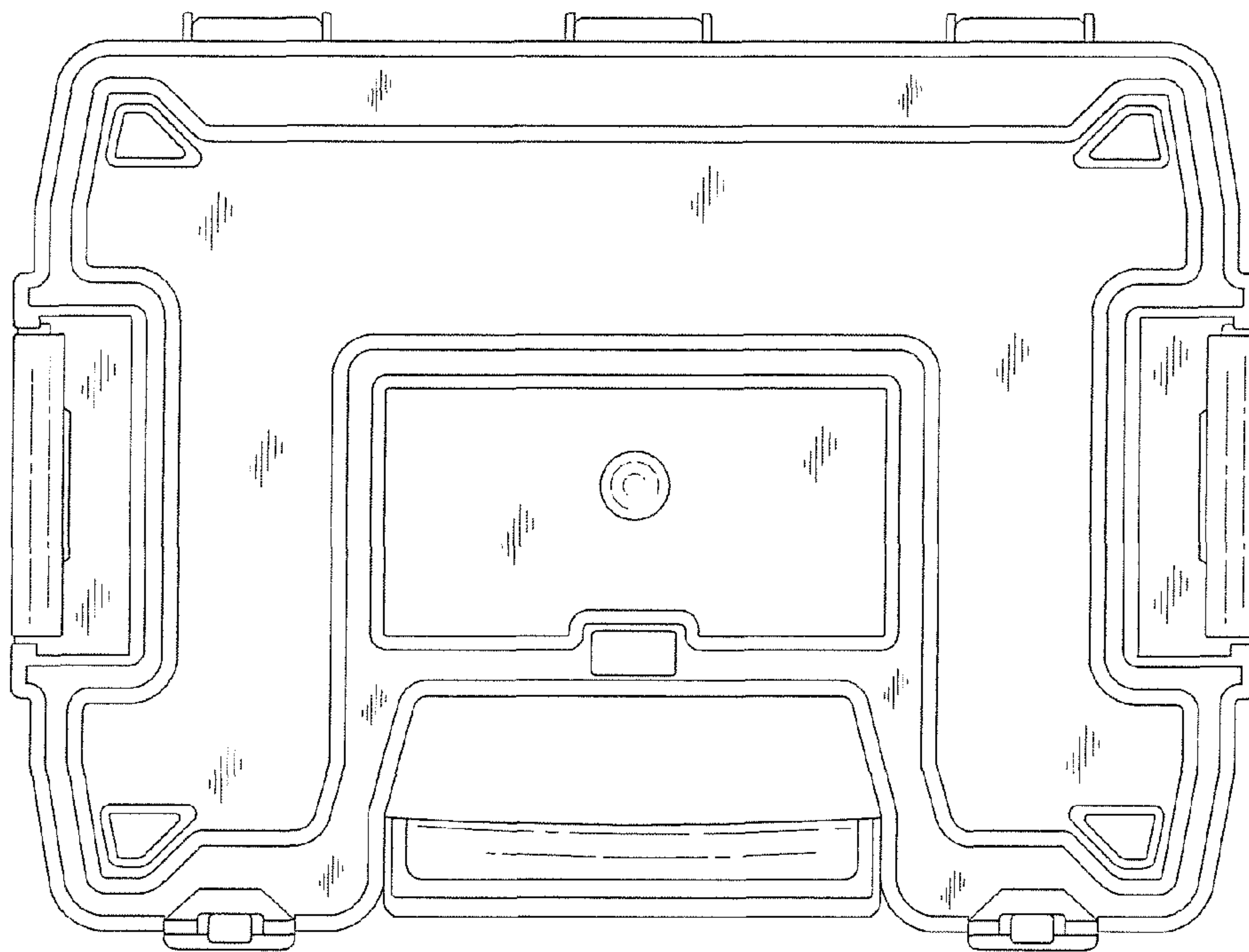


FIG.6

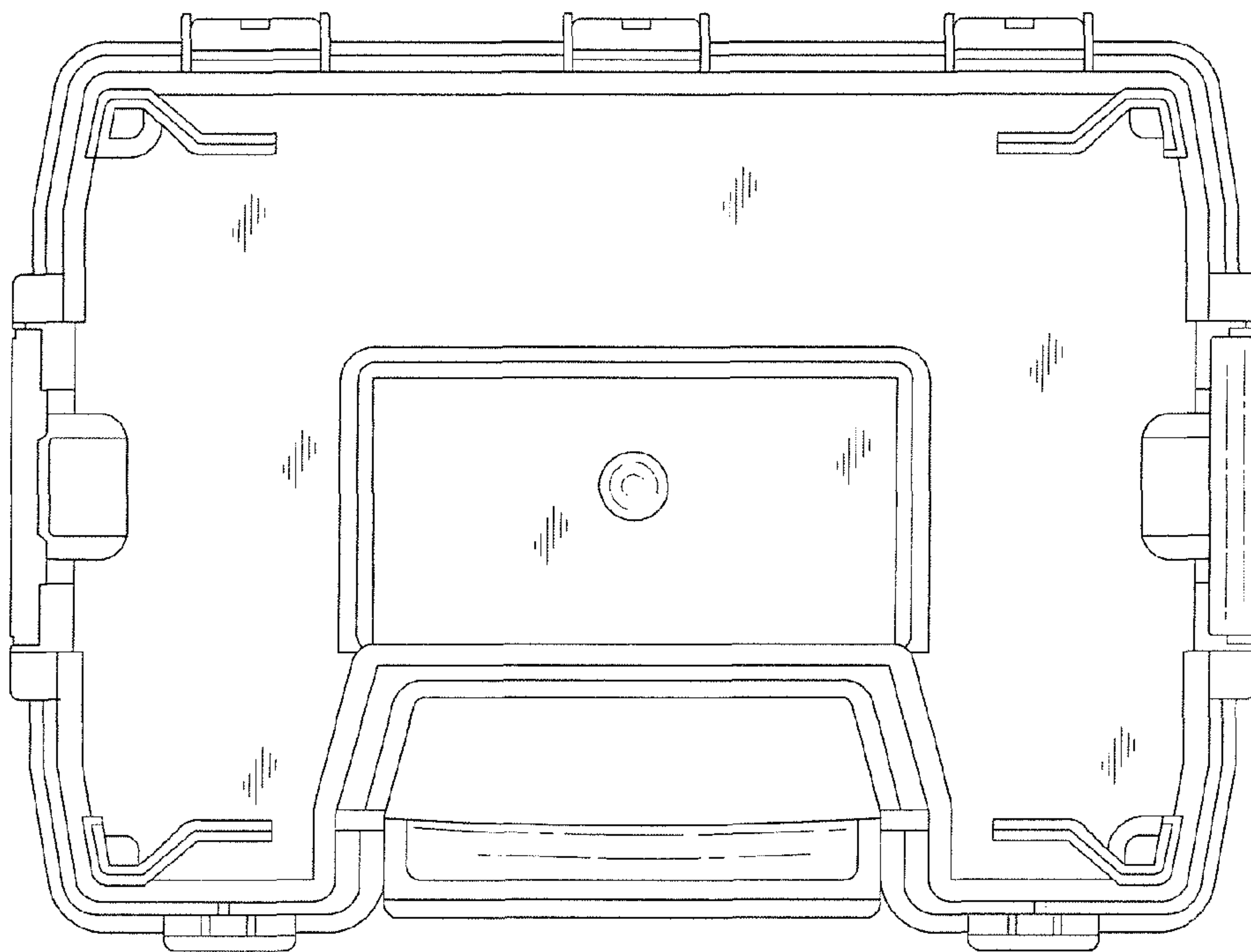


FIG.7