



US00D703436S

(12) **United States Design Patent**
Sabbag et al.

(10) **Patent No.:** **US D703,436 S**

(45) **Date of Patent:** **** Apr. 29, 2014**

(54) **TOOL BOX**

(71) Applicant: **The Stanley Works Israel Ltd.**, Rosh Ha'Ayin (IL)

(72) Inventors: **Yosi Sabbag**, Holon (IL); **Elad Shitrit**, Tel Aviv (IL)

(73) Assignee: **Teh Stanley Works Israel Ltd.** (IL)

(**) Term: **14 Years**

(21) Appl. No.: **29/438,731**

(22) Filed: **Dec. 3, 2012**

(30) **Foreign Application Priority Data**

Jun. 7, 2012 (EM) 001329619

(51) **LOC (10) Cl.** **03-01**

(52) **U.S. Cl.**
USPC **D3/281; D3/291; D3/905**

(58) **Field of Classification Search**
USPC D3/273, 276, 281, 282, 283-286, 297,
D3/905, 296, 291; 220/523, 524, 527,
220/4.27; 206/349, 372-379; 280/47.19,
280/47.26

See application file for complete search history.

(56) **References Cited**

U.S. PATENT DOCUMENTS

D462,519 S *	9/2002	Gaydos et al.	D3/276
D600,912 S *	9/2009	Brunner	D3/291
D649,350 S *	11/2011	Shitrit	D3/281
D668,048 S *	10/2012	Vilkomirski et al.	D3/281
D674,605 S *	1/2013	Vilkomirski et al.	D3/281

* cited by examiner

Primary Examiner — Jennifer Rivard

(74) *Attorney, Agent, or Firm* — Bruce S. Shapiro; John Yun; Stephen R. Valancius

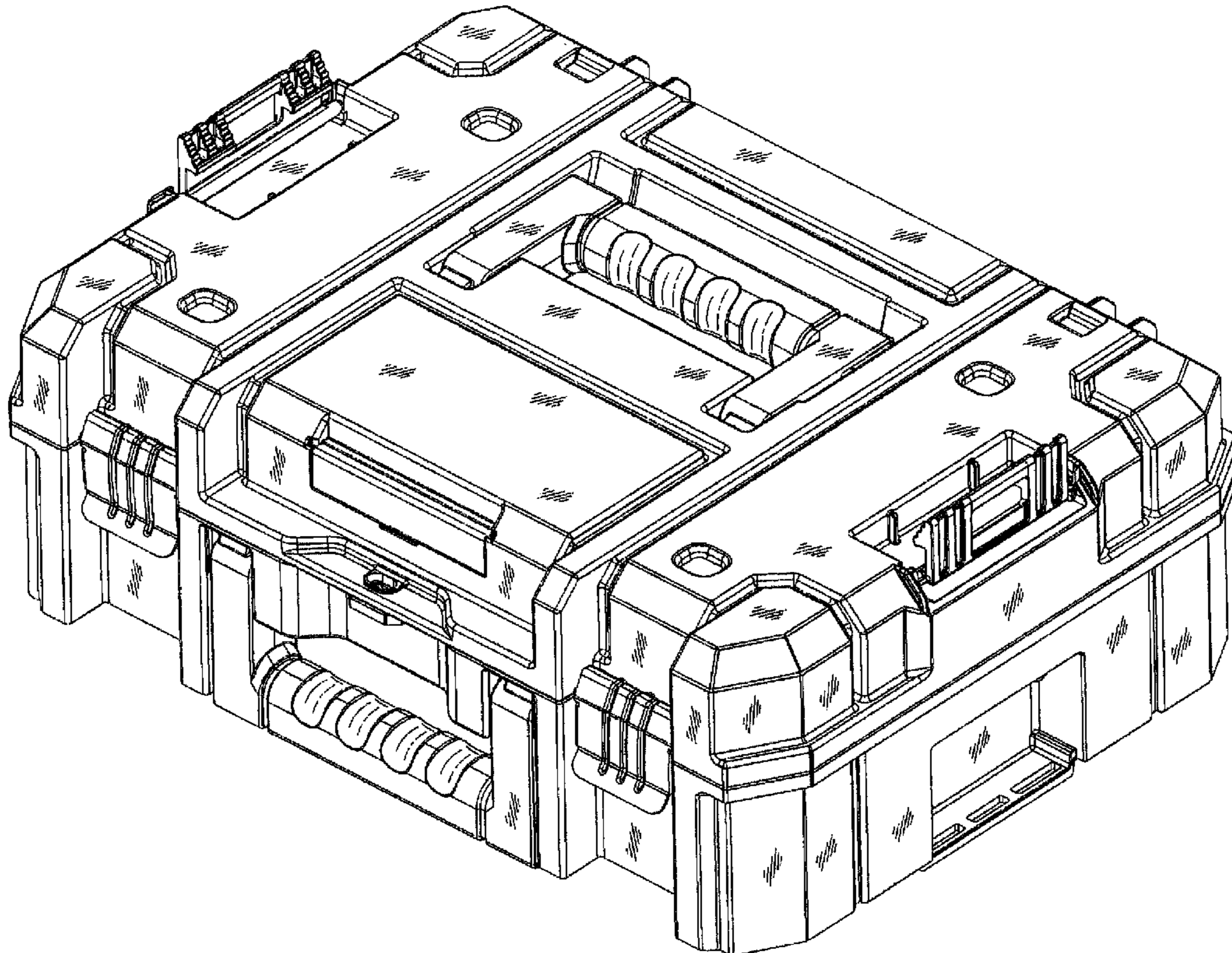
(57) **CLAIM**

The ornamental design for a tool box, as shown and described.

DESCRIPTION

FIG. 1 is a right front perspective view of our new design.
FIG. 2 is a front view thereof.
FIG. 3 is a rear view thereof.
FIG. 4 is a right side view thereof.
FIG. 5 is a left side view thereof.
FIG. 6 is a top view thereof; and,
FIG. 7 is a bottom view thereof.
The broken lines illustrate a portion of the tool box and form no part of the claimed design.

1 Claim, 7 Drawing Sheets



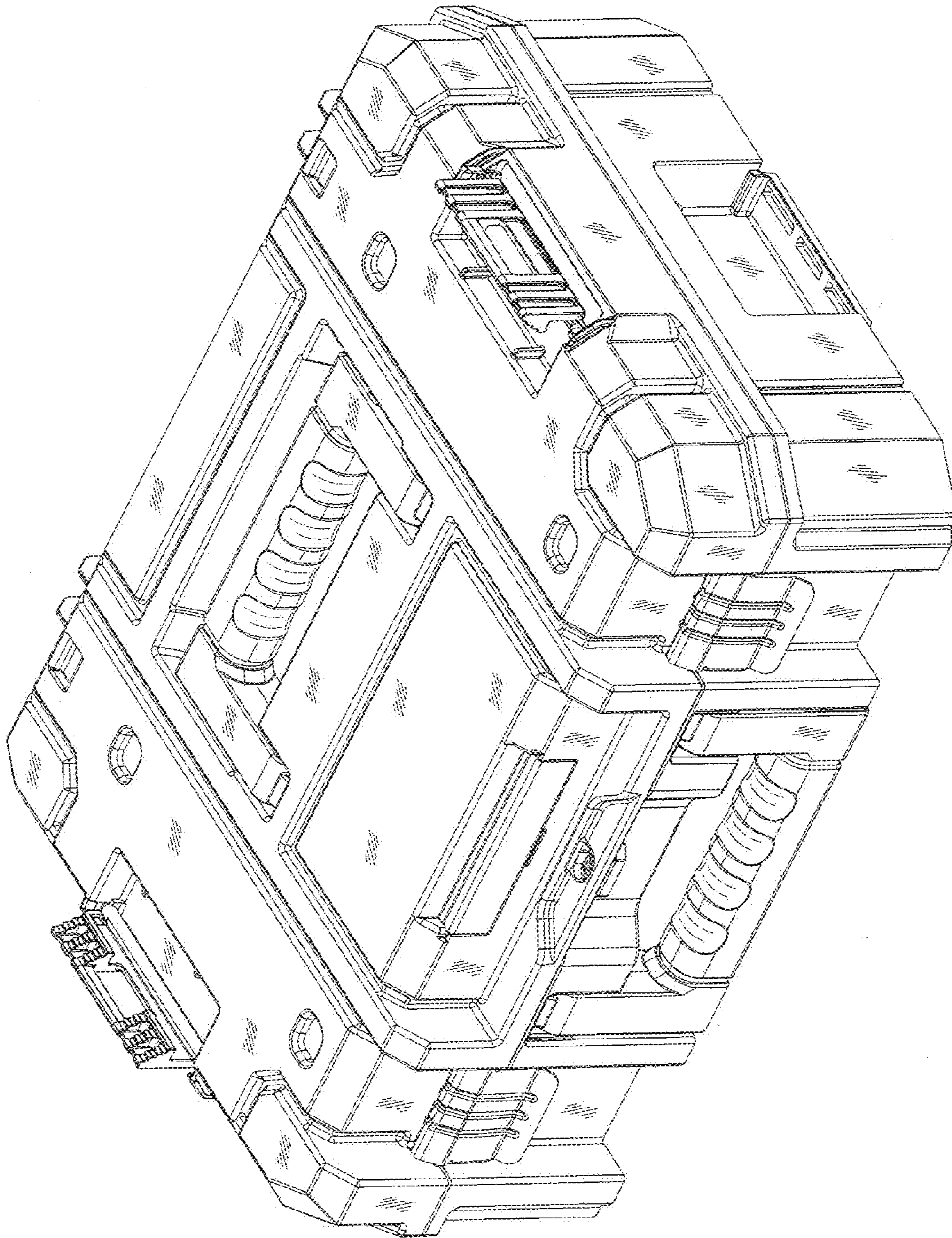


FIG.1

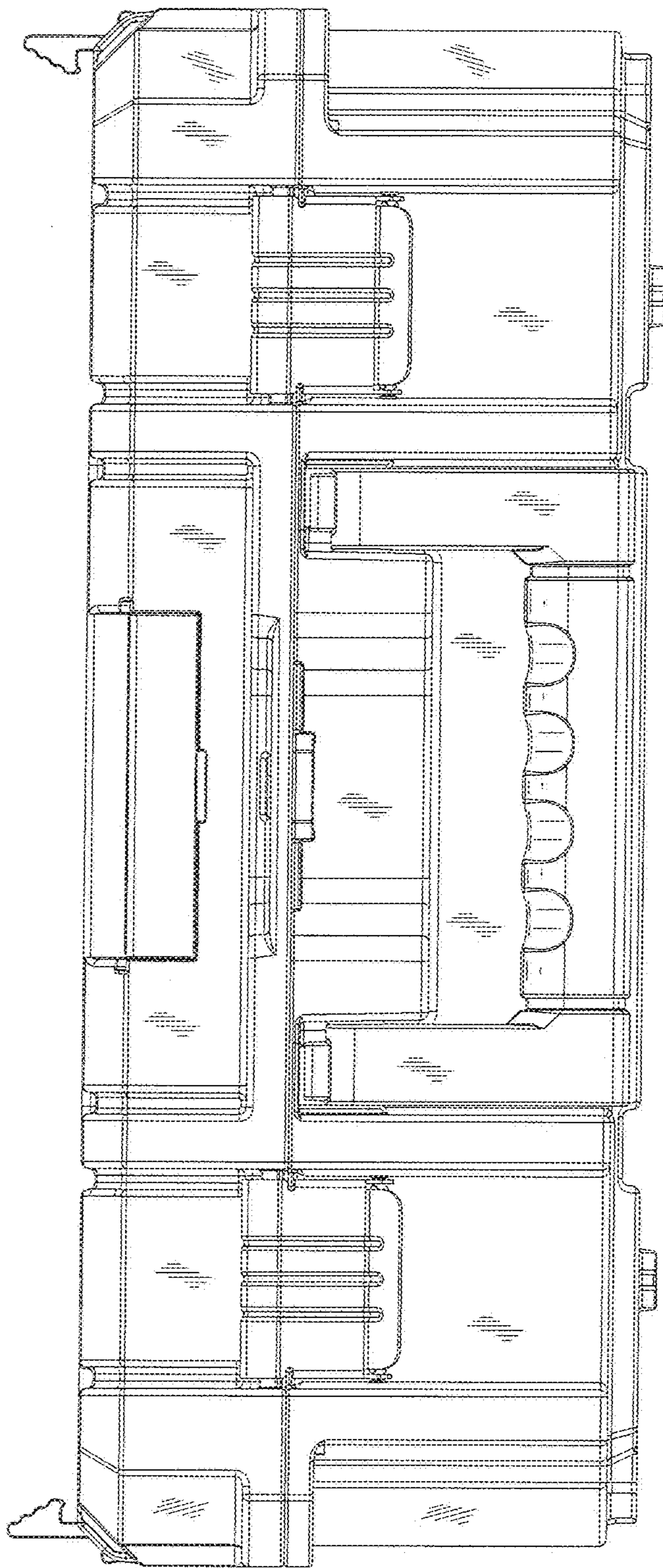


FIG.2

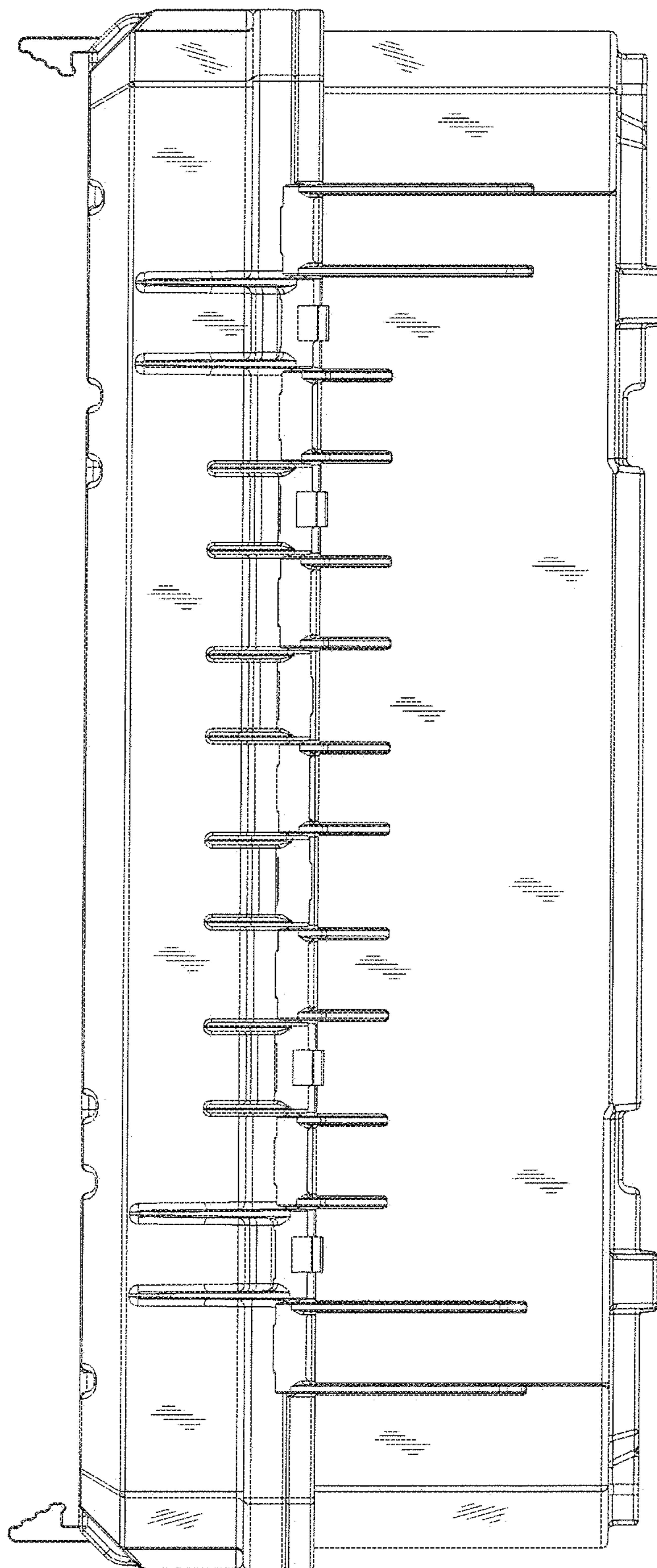


FIG.3

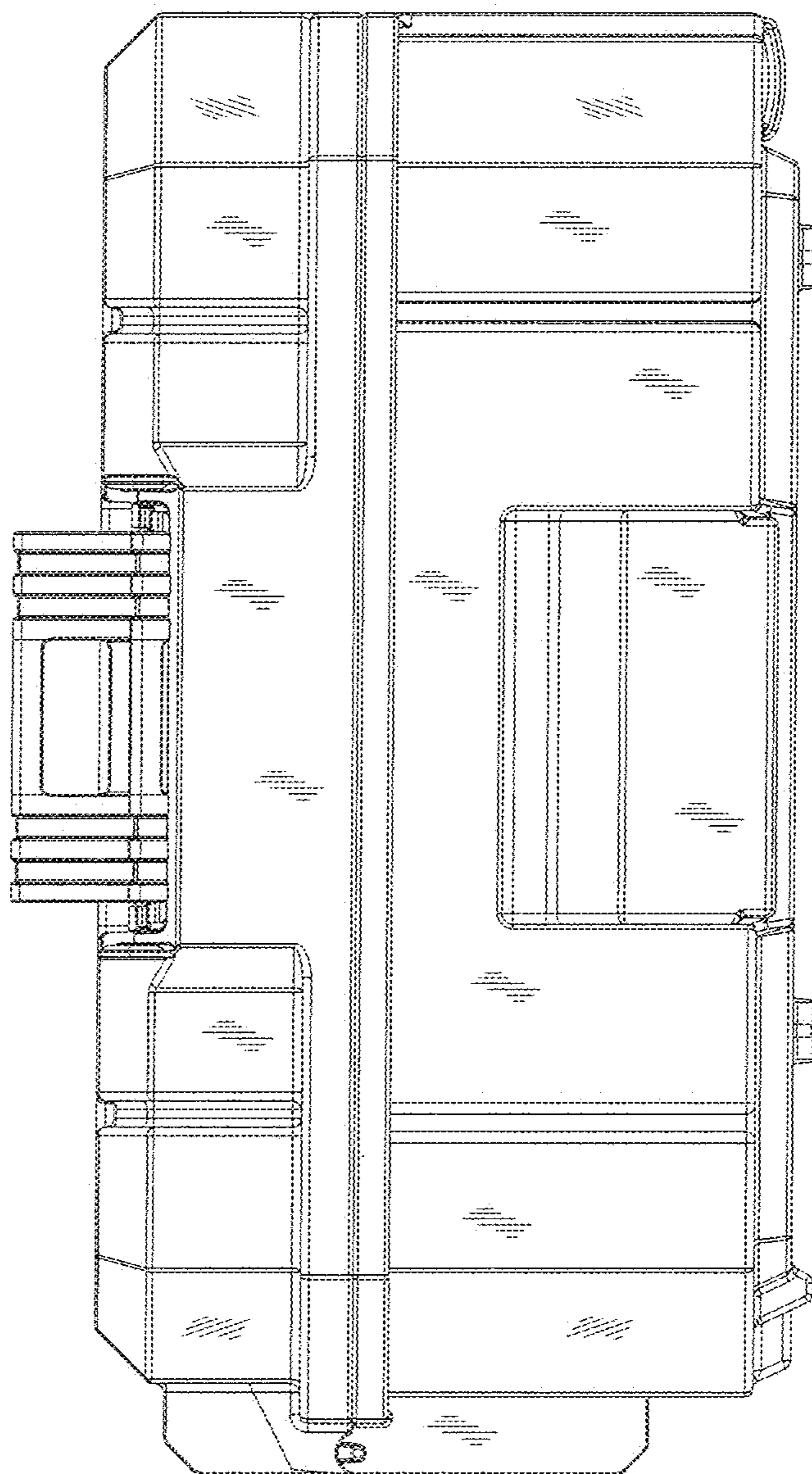


FIG.4

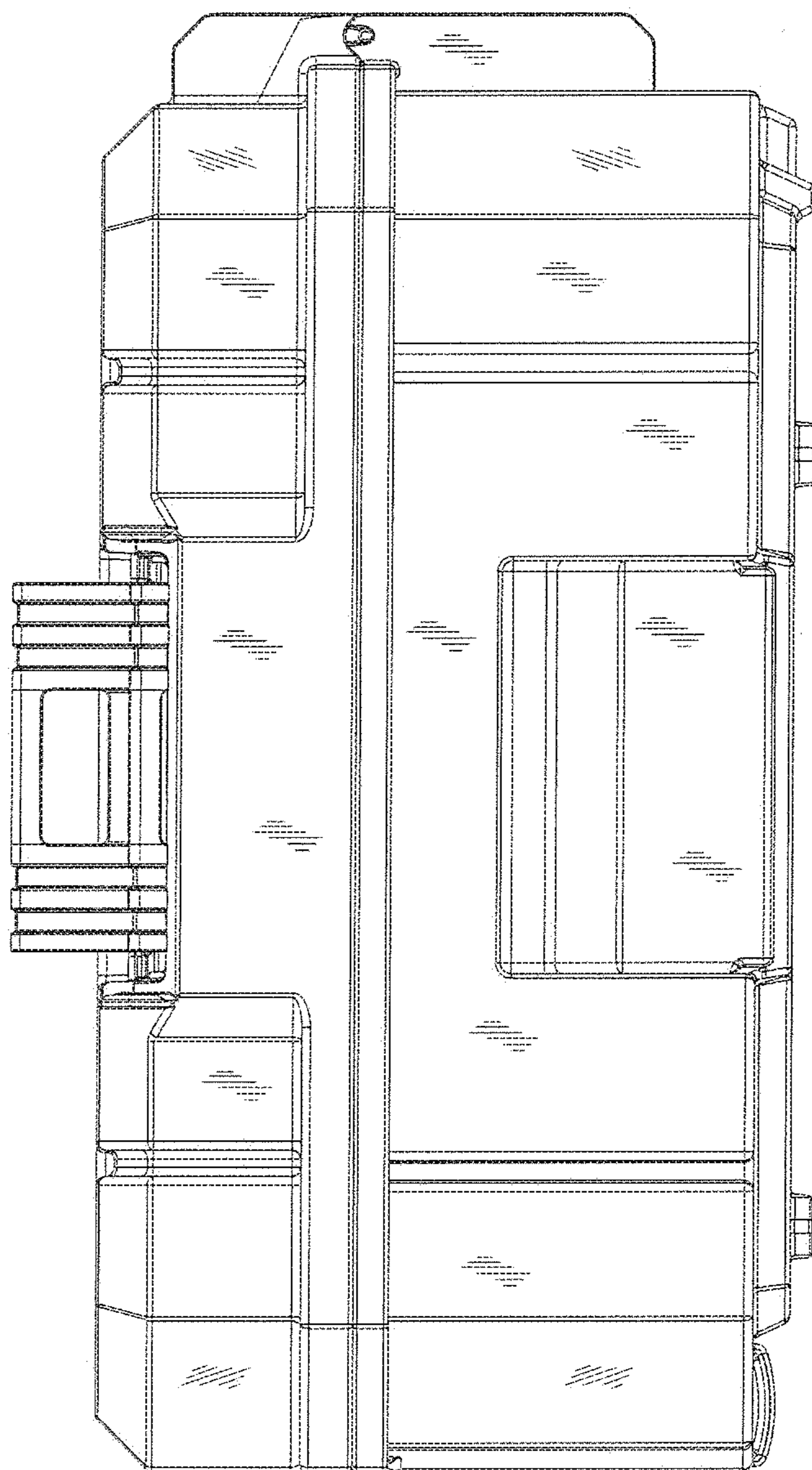


FIG.5

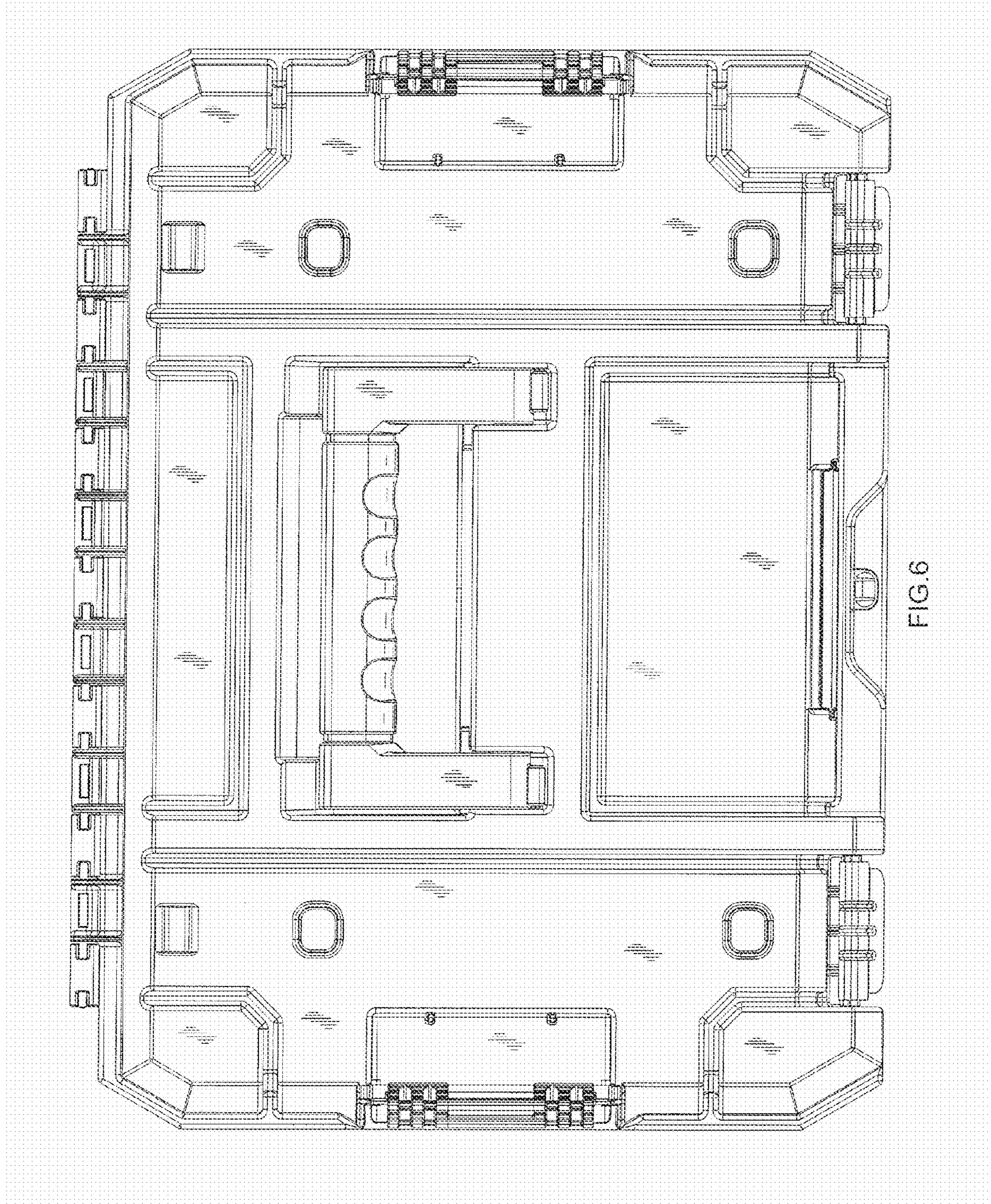


FIG. 6

