



US00D703429S

(12) **United States Design Patent**
Morrison

(10) **Patent No.:** **US D703,429 S**
(45) **Date of Patent:** **** Apr. 29, 2014**

(54) **PORTABLE ELECTRONIC DEVICE HOLDER
AND TETHER**

(71) Applicant: **Maxine J. Morrison**, White Plains, NY
(US)

(72) Inventor: **Maxine J. Morrison**, White Plains, NY
(US)

(**) Term: **14 Years**

(21) Appl. No.: **29/451,601**

(22) Filed: **Apr. 4, 2013**

(51) **LOC (10) Cl.** **03-01**

(52) **U.S. Cl.**
USPC **D3/218**

(58) **Field of Classification Search**
USPC D3/218, 210, 215, 226, 269, 272-273,
D3/303; 206/305, 320; 455/575.1-575.8;
D14/250-253, 130, 440; 379/455,
379/446-447, 454, 420.04, 426, 433.11;
224/191, 240-241, 245, 682-683

See application file for complete search history.

(56) **References Cited**

U.S. PATENT DOCUMENTS

D447,864 S * 9/2001 Casparian D3/218
D622,716 S * 8/2010 Andre et al. D14/250
D680,321 S * 4/2013 Jones D3/215
D684,358 S * 6/2013 Pegg D3/218

* cited by examiner

Primary Examiner — Catheri Oliver-Garcia
(74) *Attorney, Agent, or Firm* — Dale J. Ream

(57) **CLAIM**

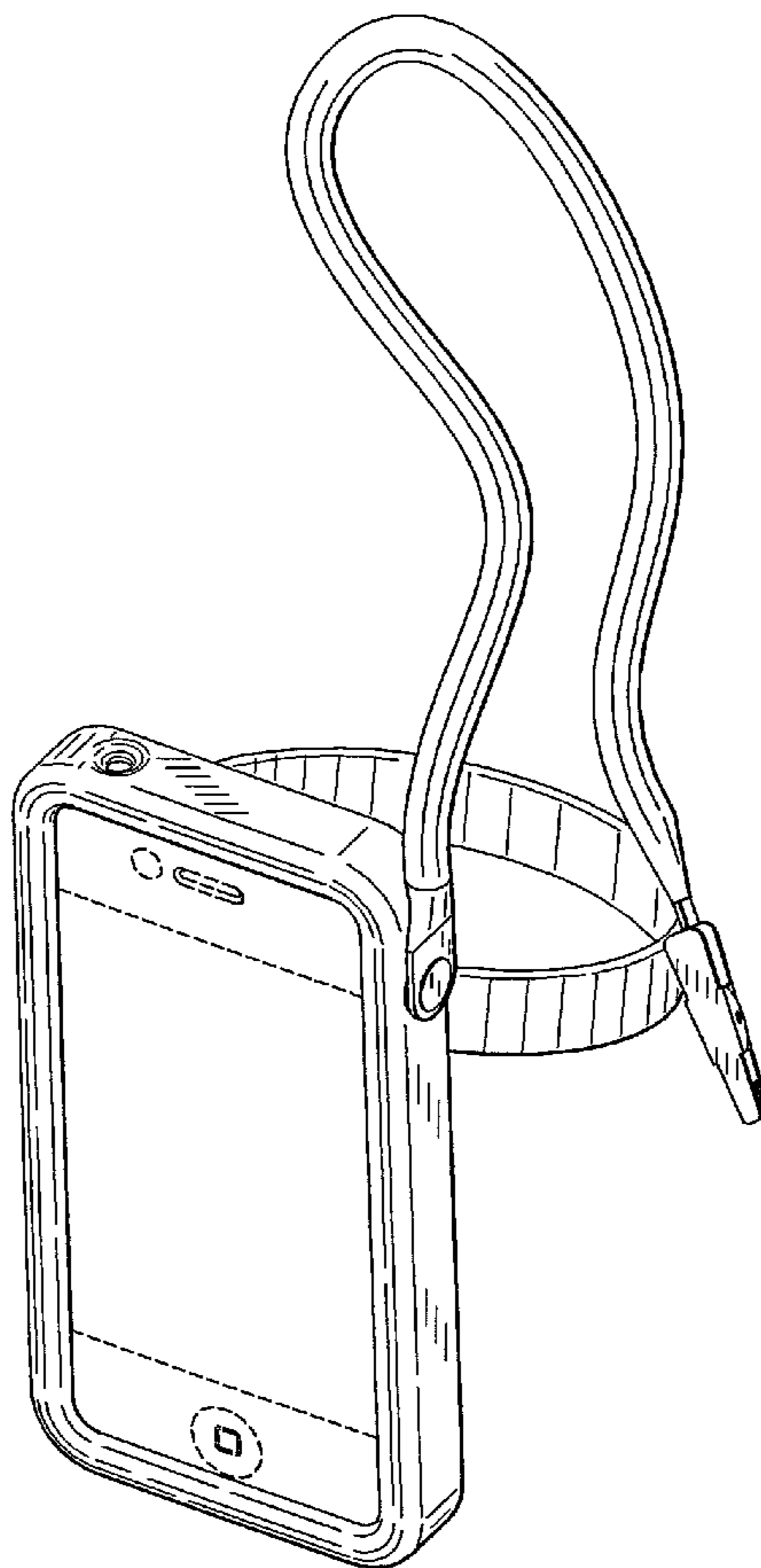
The ornamental design for a portable electronic device holder and tether, as shown and described.

DESCRIPTION

FIG. 1 is a perspective view of a portable electronic device holder and tether showing my new design;
FIG. 2 is a front view thereof;
FIG. 3 is a rear view thereof;
FIG. 4 is a left side view thereof;
FIG. 5 is a right side view thereof;
FIG. 6 is a top view thereof; and,
FIG. 7 is a bottom view thereof.

In the drawings, the broken lines showing an electronic device illustrate environment and form no part of the claimed design.

1 Claim, 6 Drawing Sheets



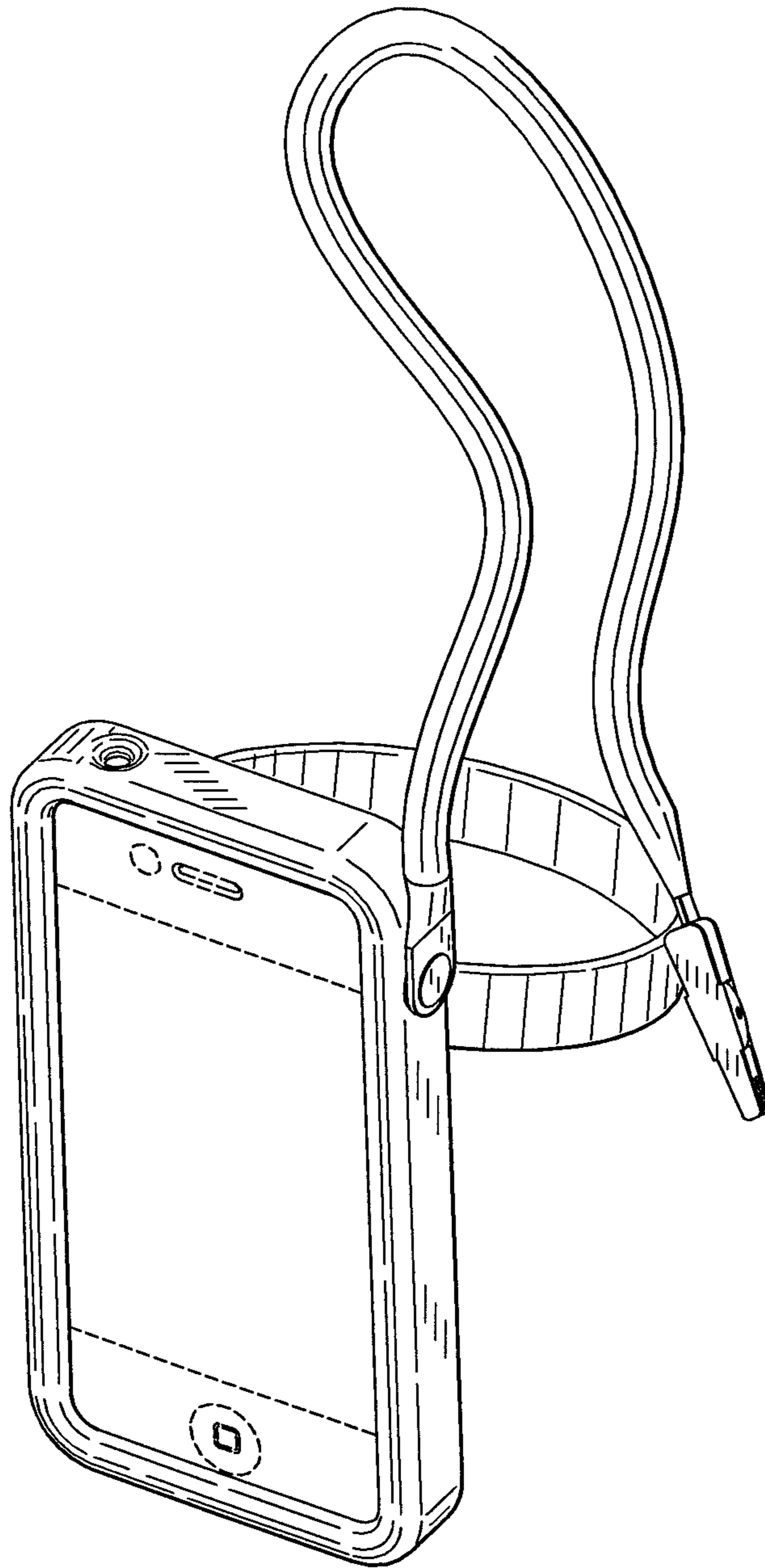


Fig. 1

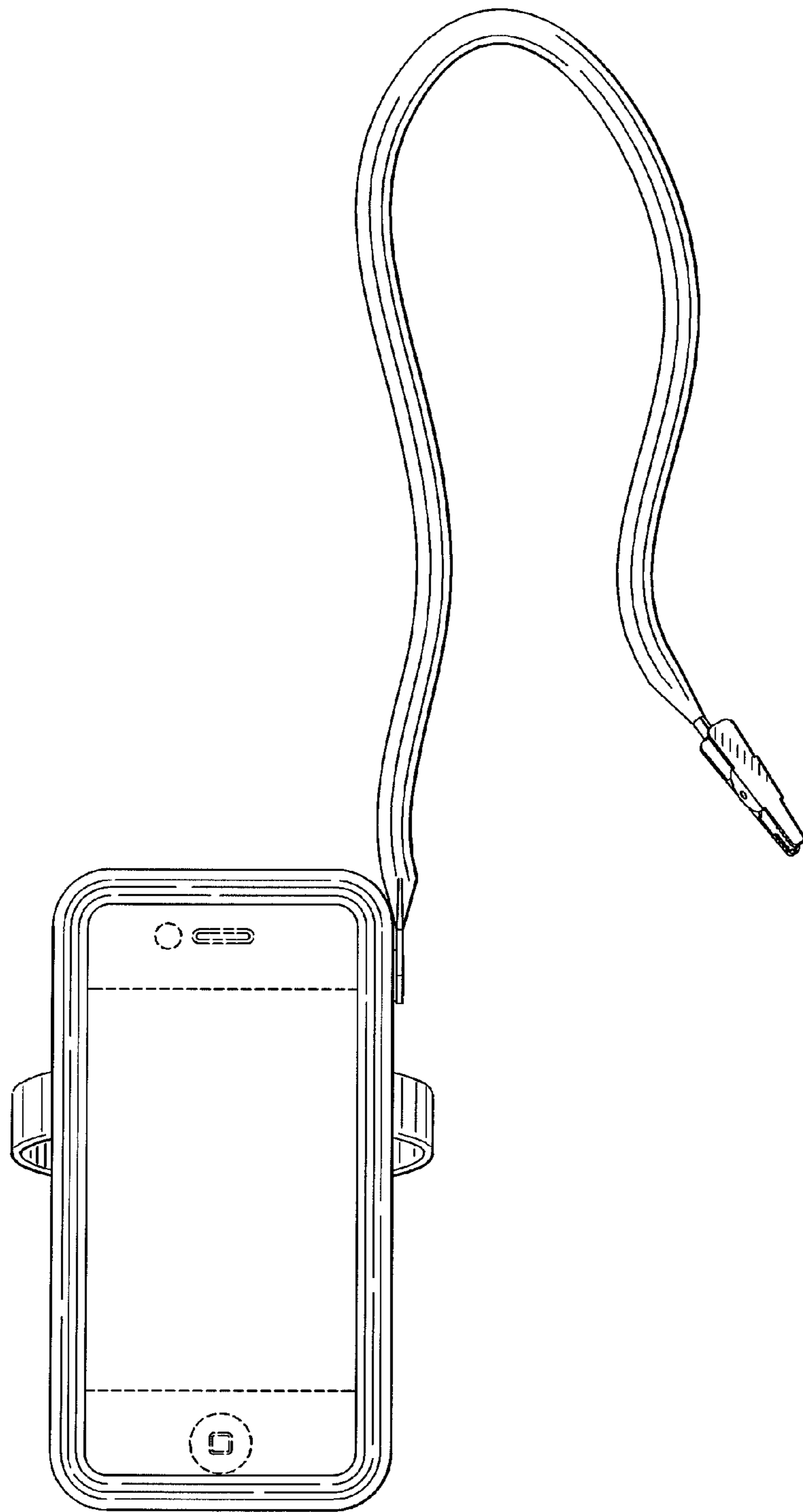


Fig. 2

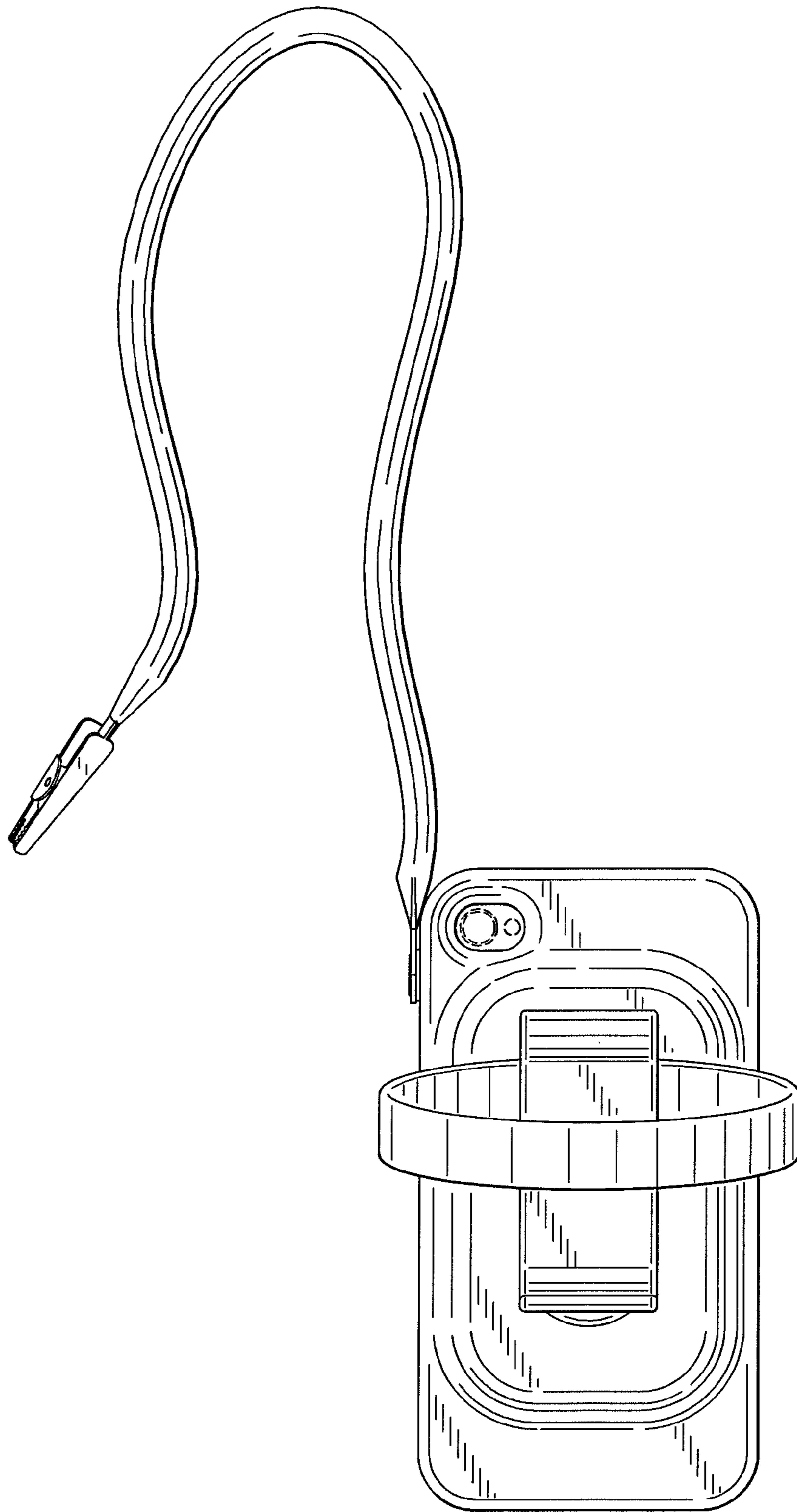


Fig. 3

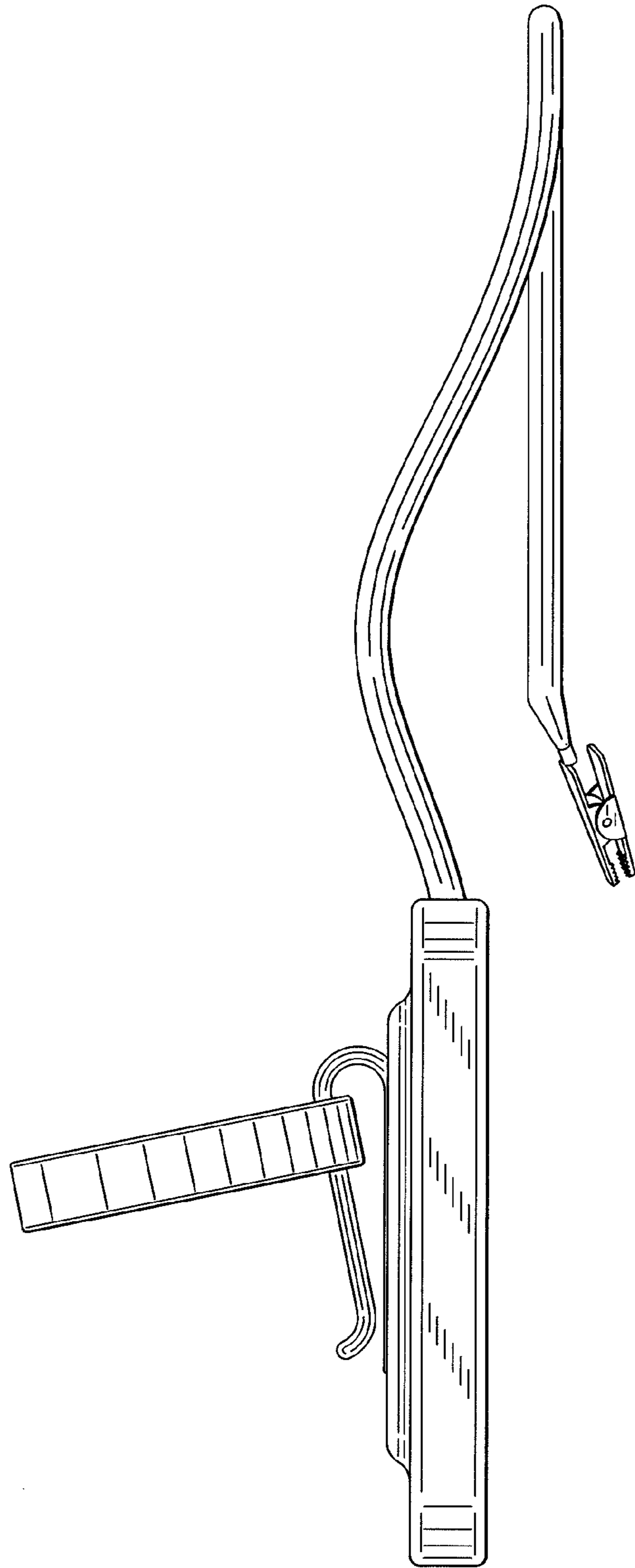


Fig. 4

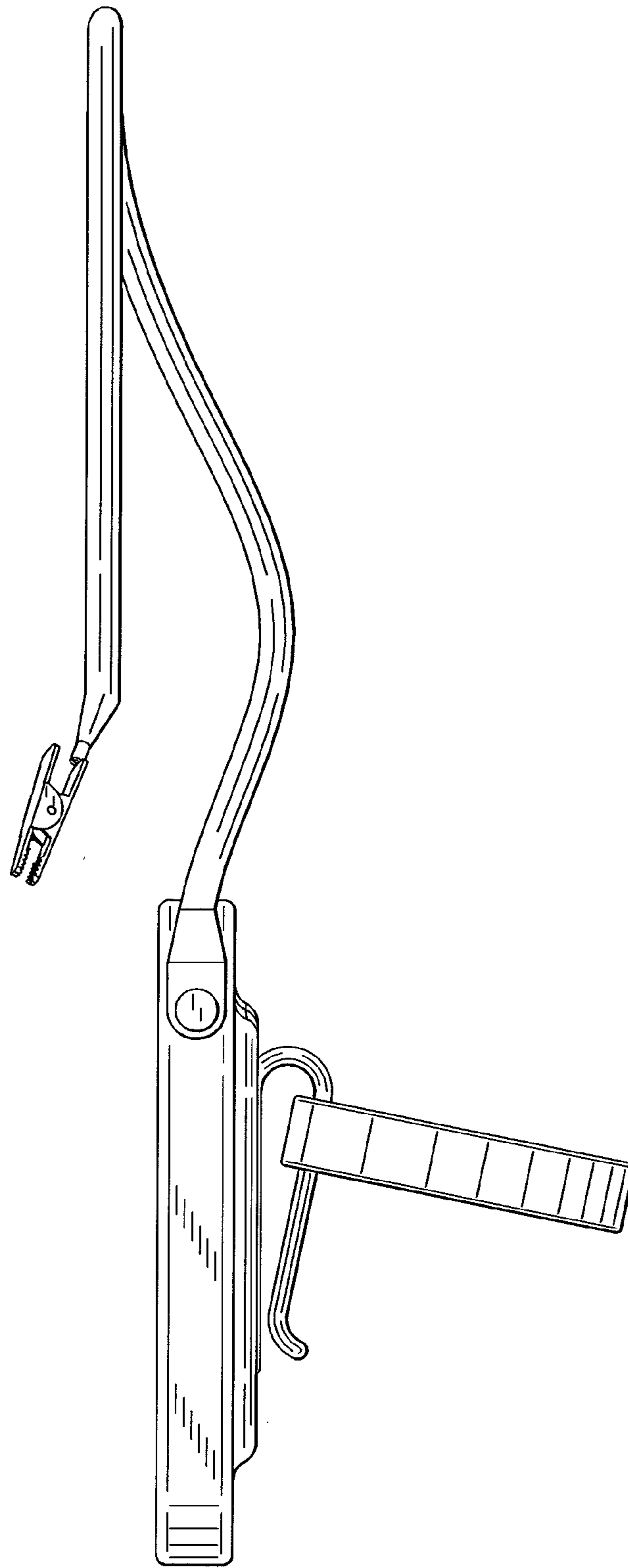


Fig. 5

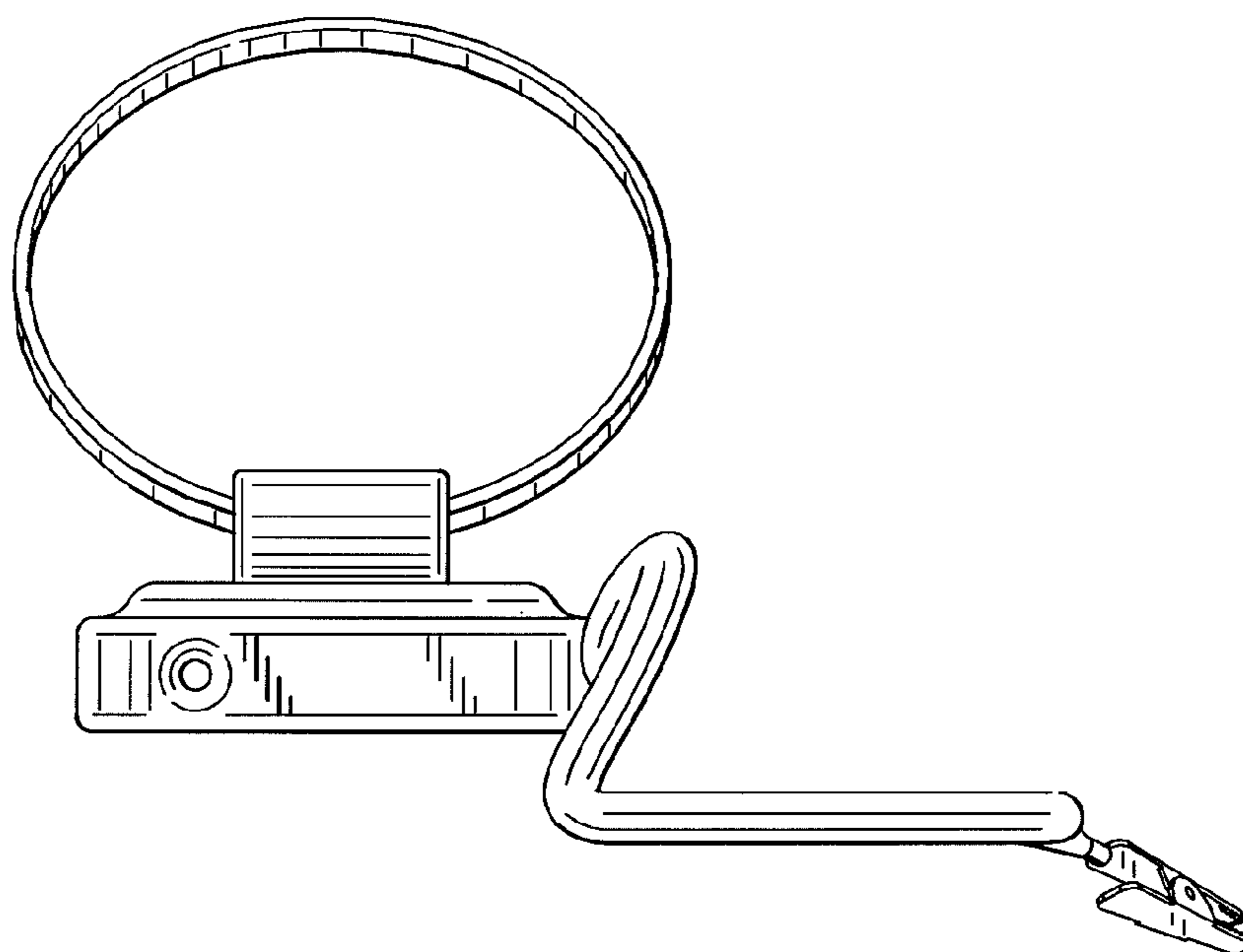


Fig. 6

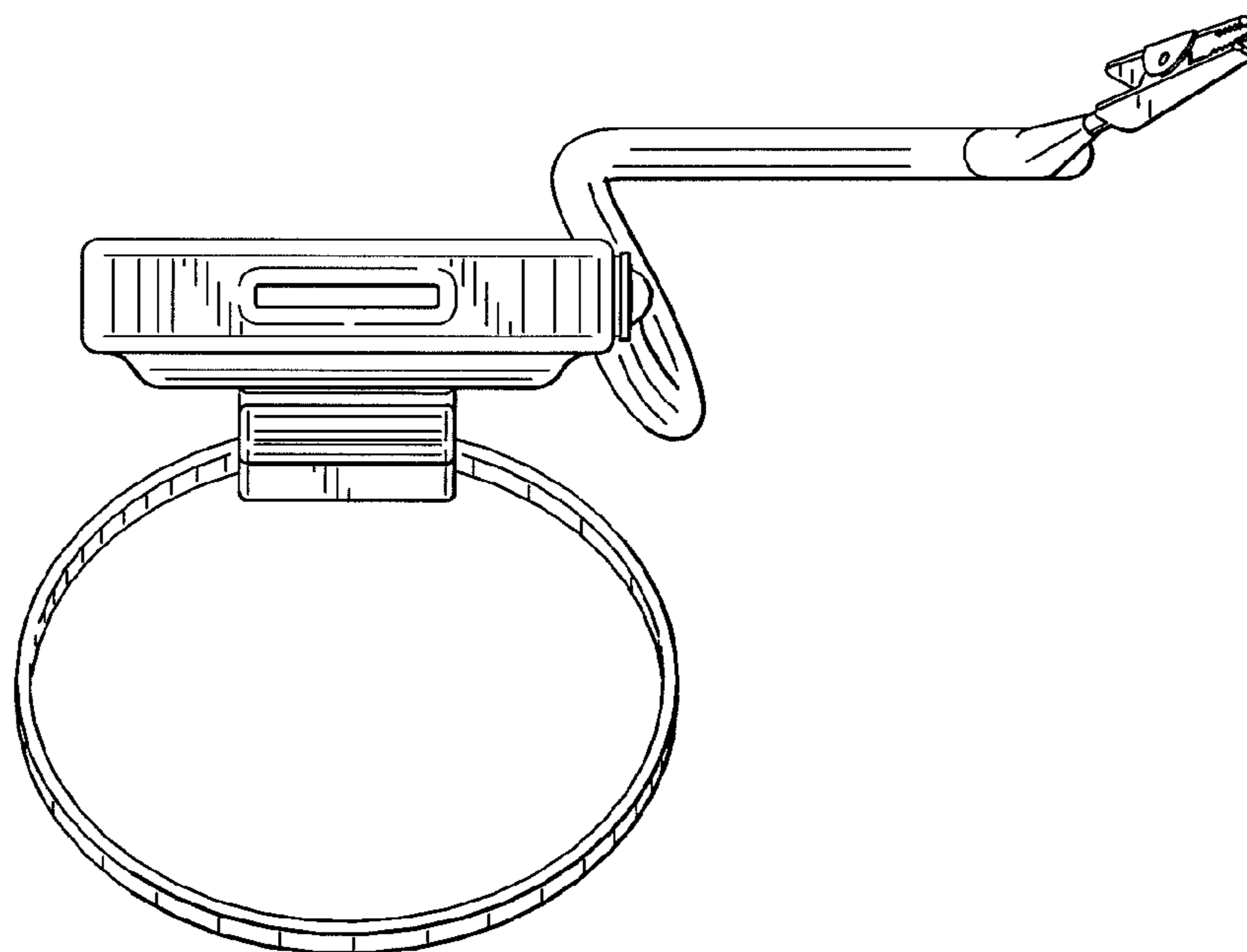


Fig. 7