



US00D703428S

(12) **United States Design Patent**
Lee

(10) **Patent No.:** **US D703,428 S**
(45) **Date of Patent:** **** Apr. 29, 2014**

(54) **TAXI CAB KEY CHAIN**

(71) Applicant: **Jay Lee**, New York, NY (US)

(72) Inventor: **Jay Lee**, New York, NY (US)

(73) Assignee: **Kikkerland Design, Inc.**, New York, NY (US)

(**) Term: **14 Years**

(21) Appl. No.: **29/468,835**

(22) Filed: **Oct. 3, 2013**

(51) **LOC (10) Cl.** **03-01**

(52) **U.S. Cl.**
USPC **D3/211**

(58) **Field of Classification Search**

USPC D11/1-2, 14, 26-29, 89-92, 44, 48, 81,
D11/99; 63/26-28, 32; D3/207-212; D8/16,
D8/38, 347, 348, 33; 70/456 B, 457, 458;
206/37.1; D21/576, 593, 594, 606,
D21/609, 610, 611, 659, 660, 398, 533, 548,
D21/550; D30/157; 54/83.1; 446/431;
180/89.1

See application file for complete search history.

(56) **References Cited**

U.S. PATENT DOCUMENTS

D126,374 S *	4/1941	Calichio	D3/211
2,694,844 A *	11/1954	Grumbach	24/374
D406,506 S *	3/1999	Wysopal	D8/38
5,884,513 A *	3/1999	Norris	70/456 R
D413,433 S *	9/1999	Robertson	D3/211
D427,699 S *	7/2000	Fai	D26/47
D543,692 S *	6/2007	Lee	D3/211
D594,734 S *	6/2009	Youngerman	D8/348

* cited by examiner

Primary Examiner — Ralf Seifert

(74) *Attorney, Agent, or Firm* — Cascio & Zervas

(57) **CLAIM**

The ornamental design for a taxi cab key chain, as shown and described.

DESCRIPTION

FIG. 1 is a top plan view of the taxi cab key chain showing my design;

FIG. 2 is a bottom plan view thereof;

FIG. 3 is a right side elevational view thereof;

FIG. 4 is a left side elevational view thereof;

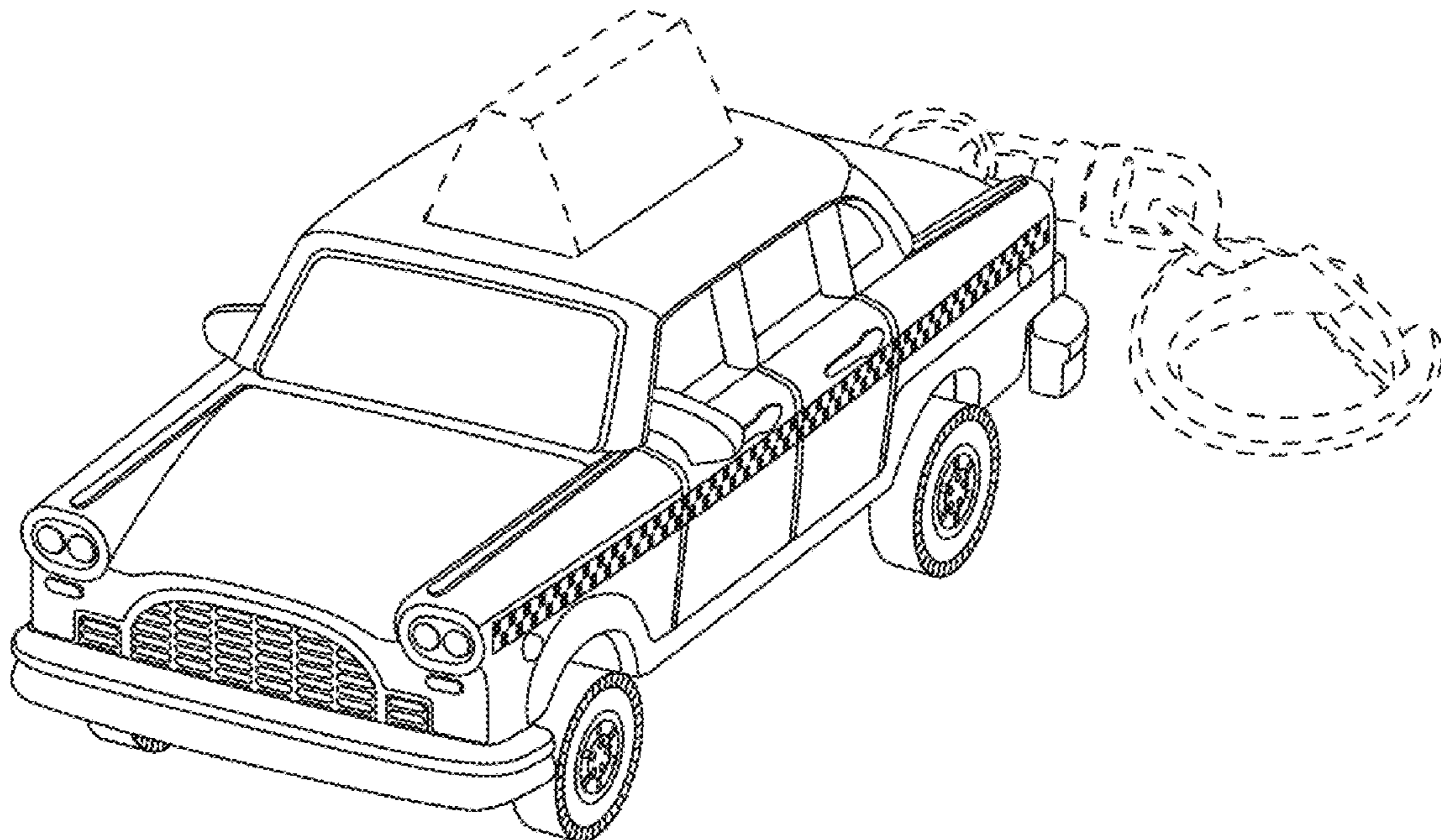
FIG. 5 is a rear elevational view thereof;

FIG. 6 is a front elevational view thereof; and,

FIG. 7 is a front perspective view thereof.

The phantom lines shown in the Figures are illustrative of environmental structure only and form no part of the claimed design.

1 Claim, 2 Drawing Sheets



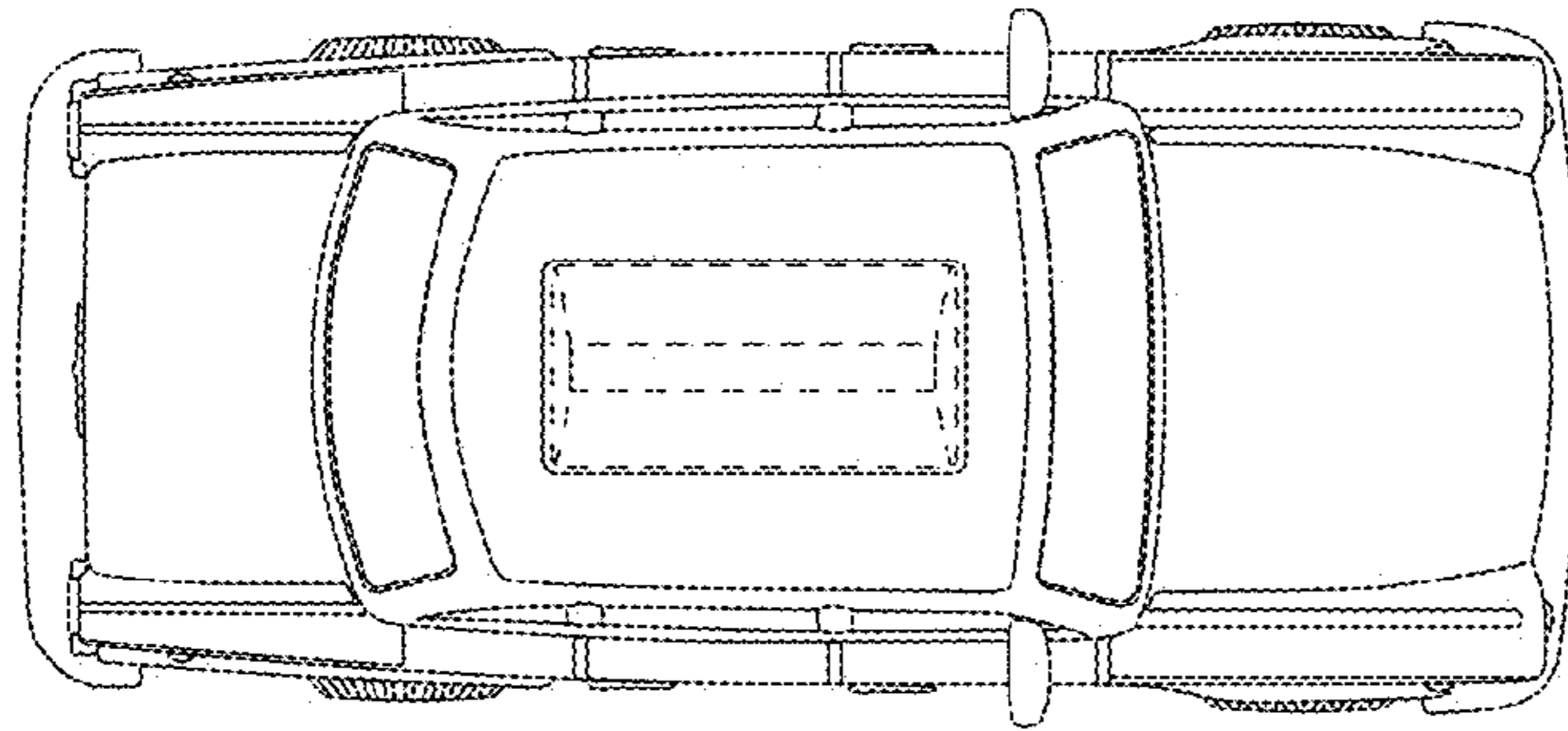


FIG. 1

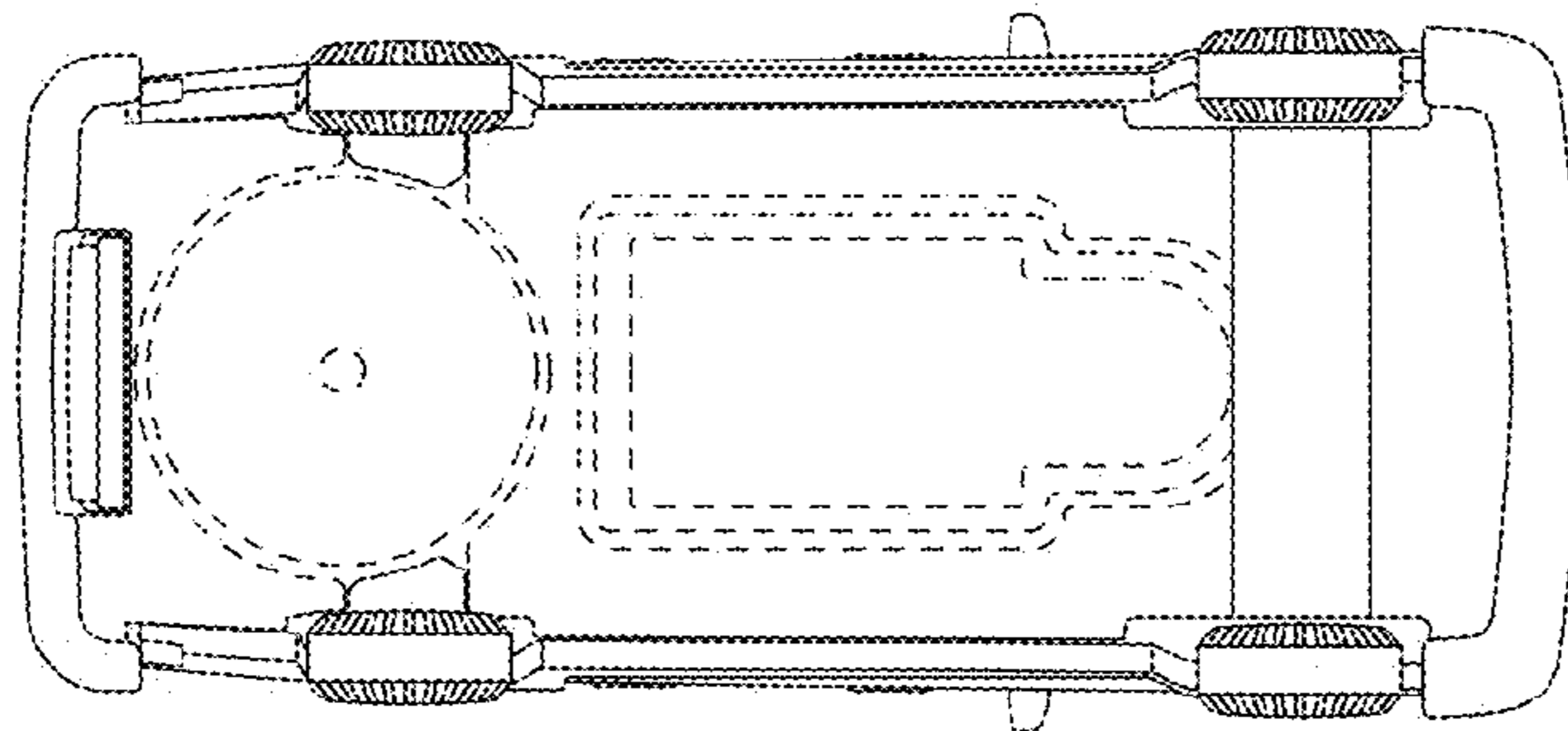


FIG. 2

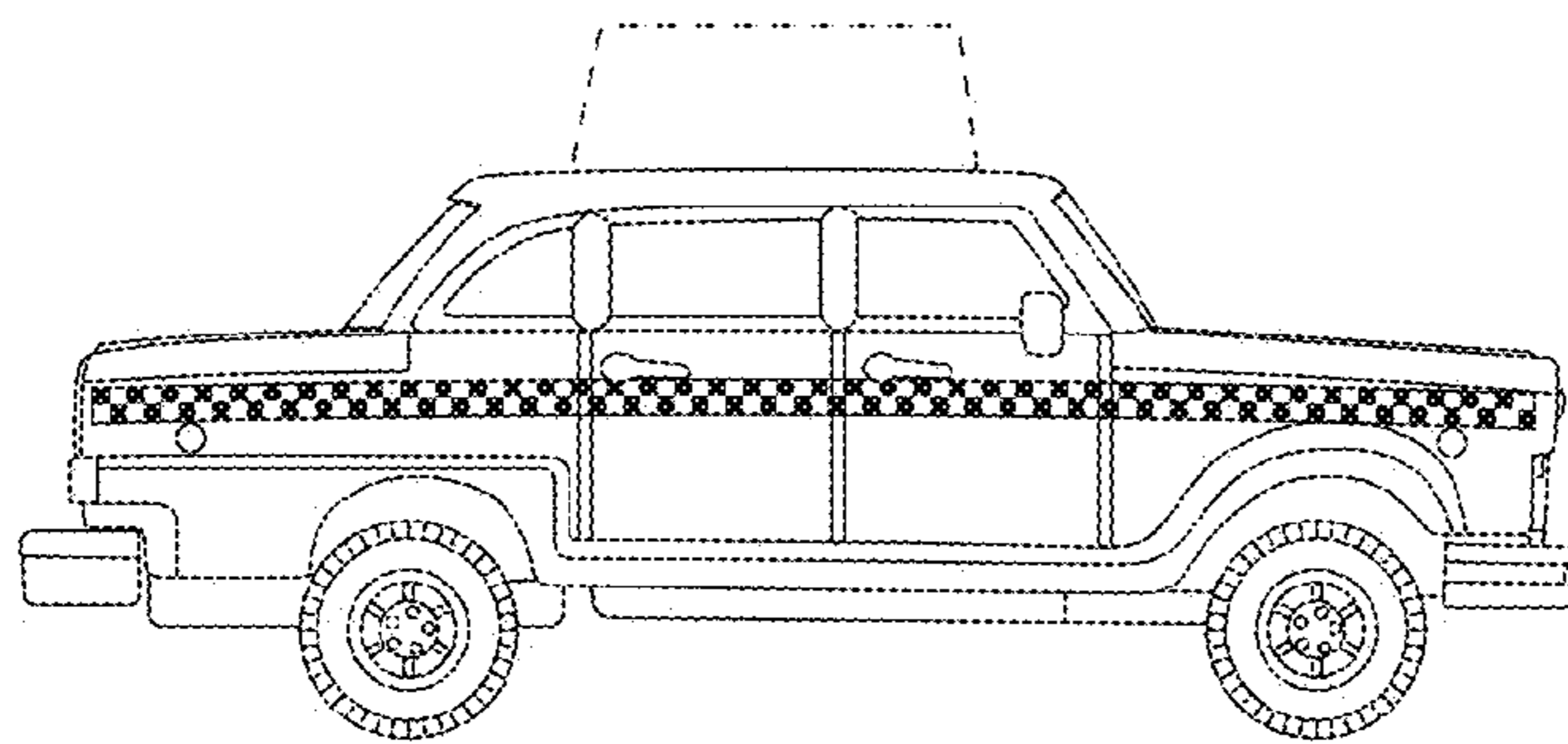


FIG. 3

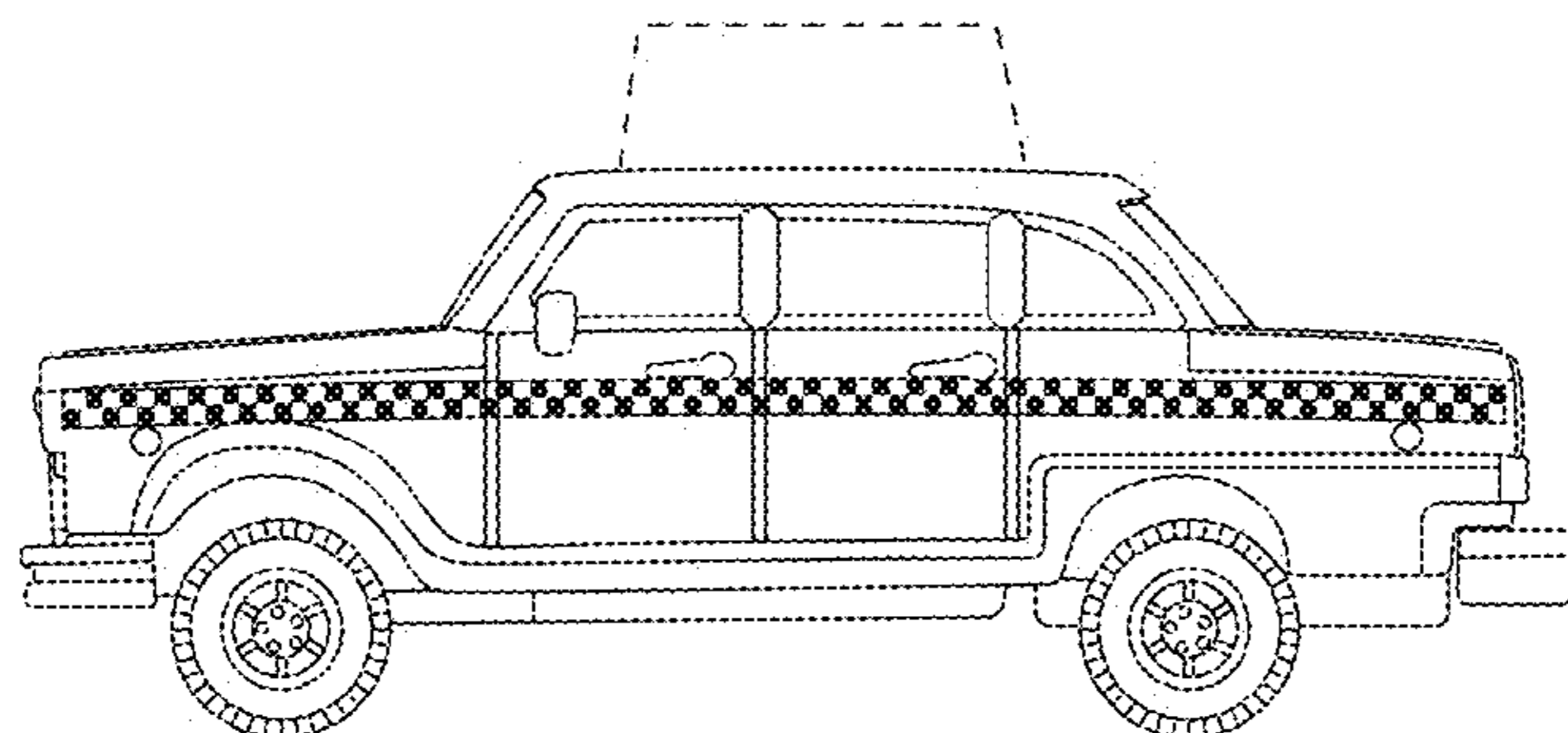


FIG. 4

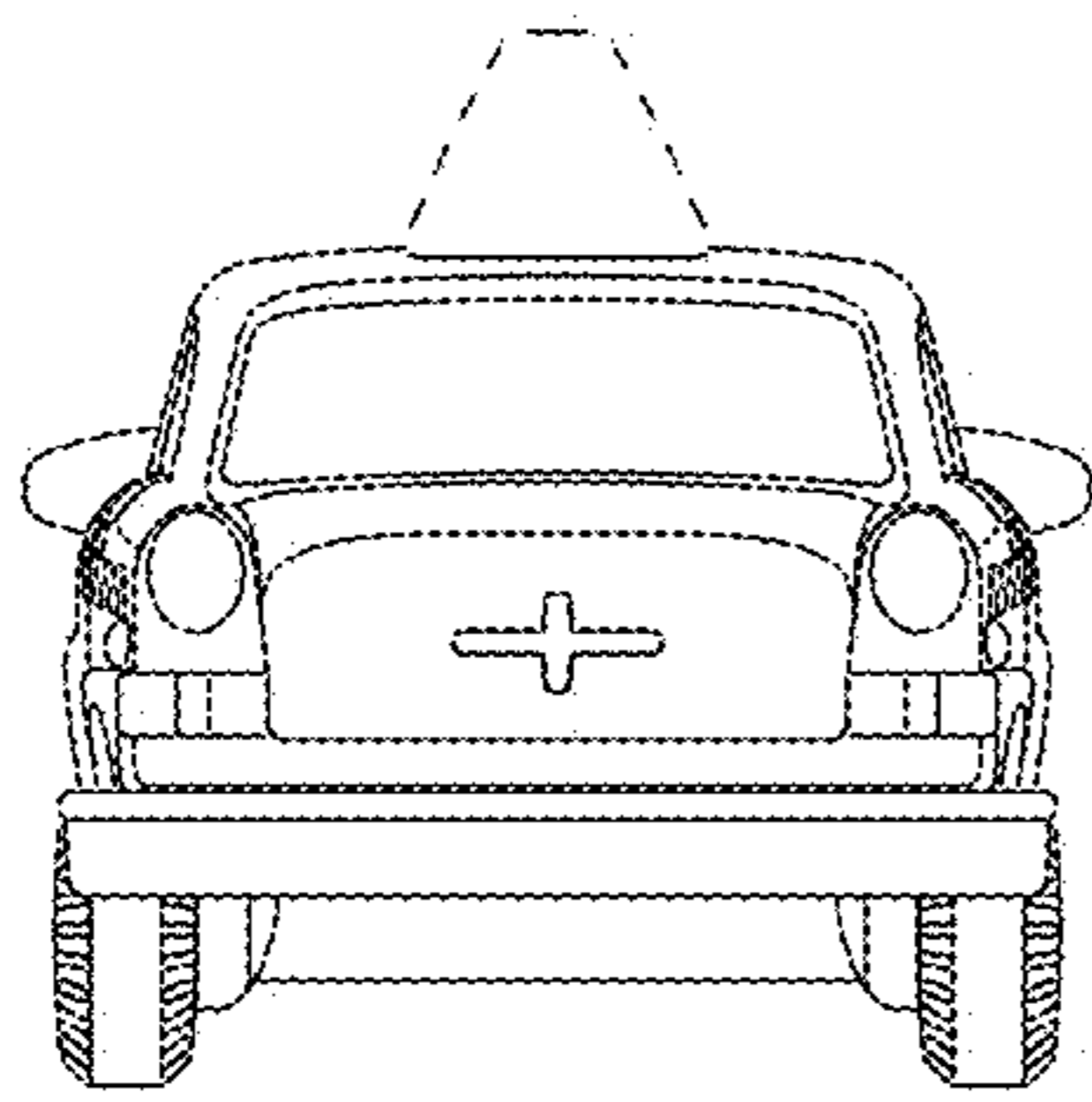


FIG. 5

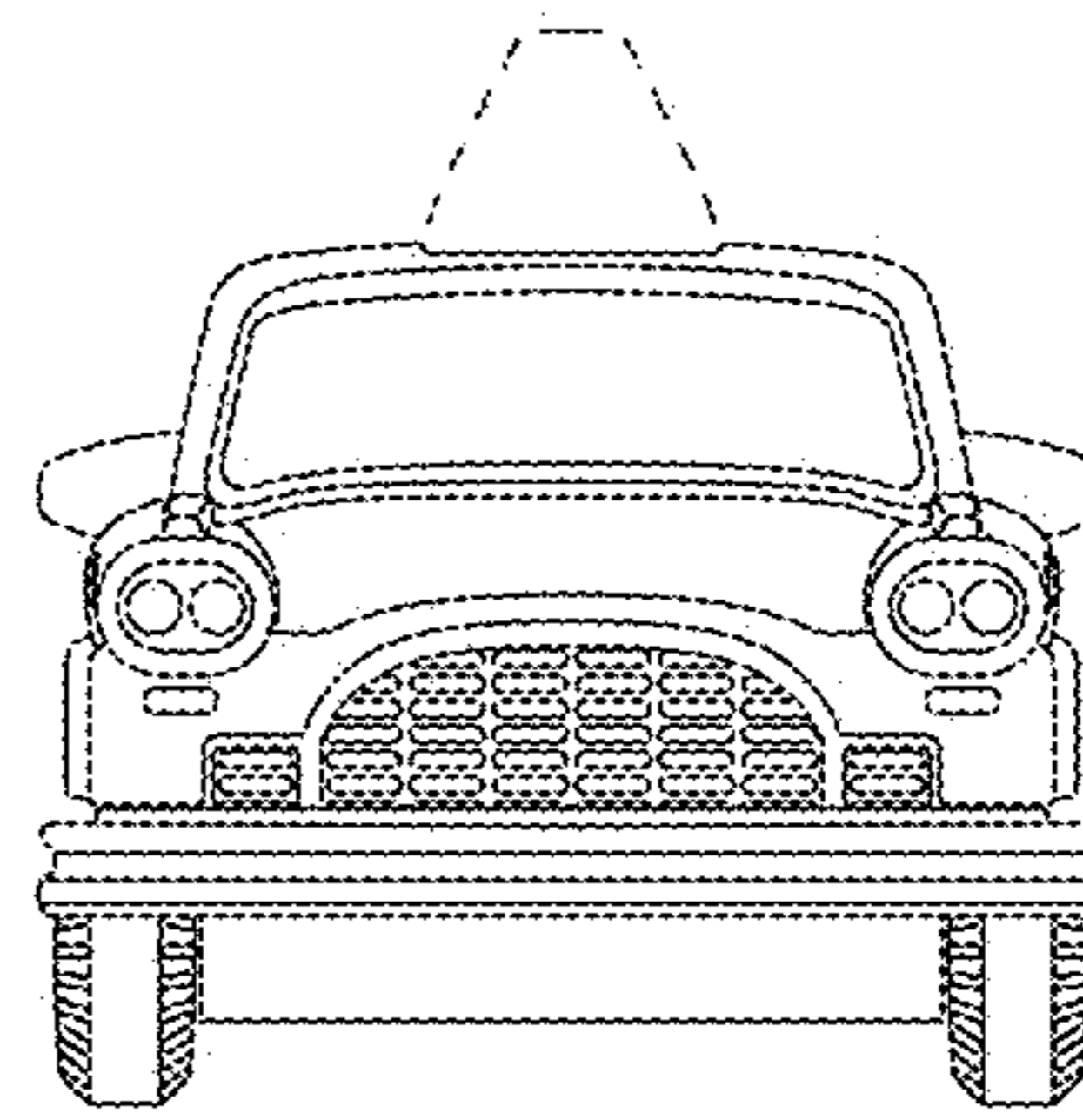


FIG. 6

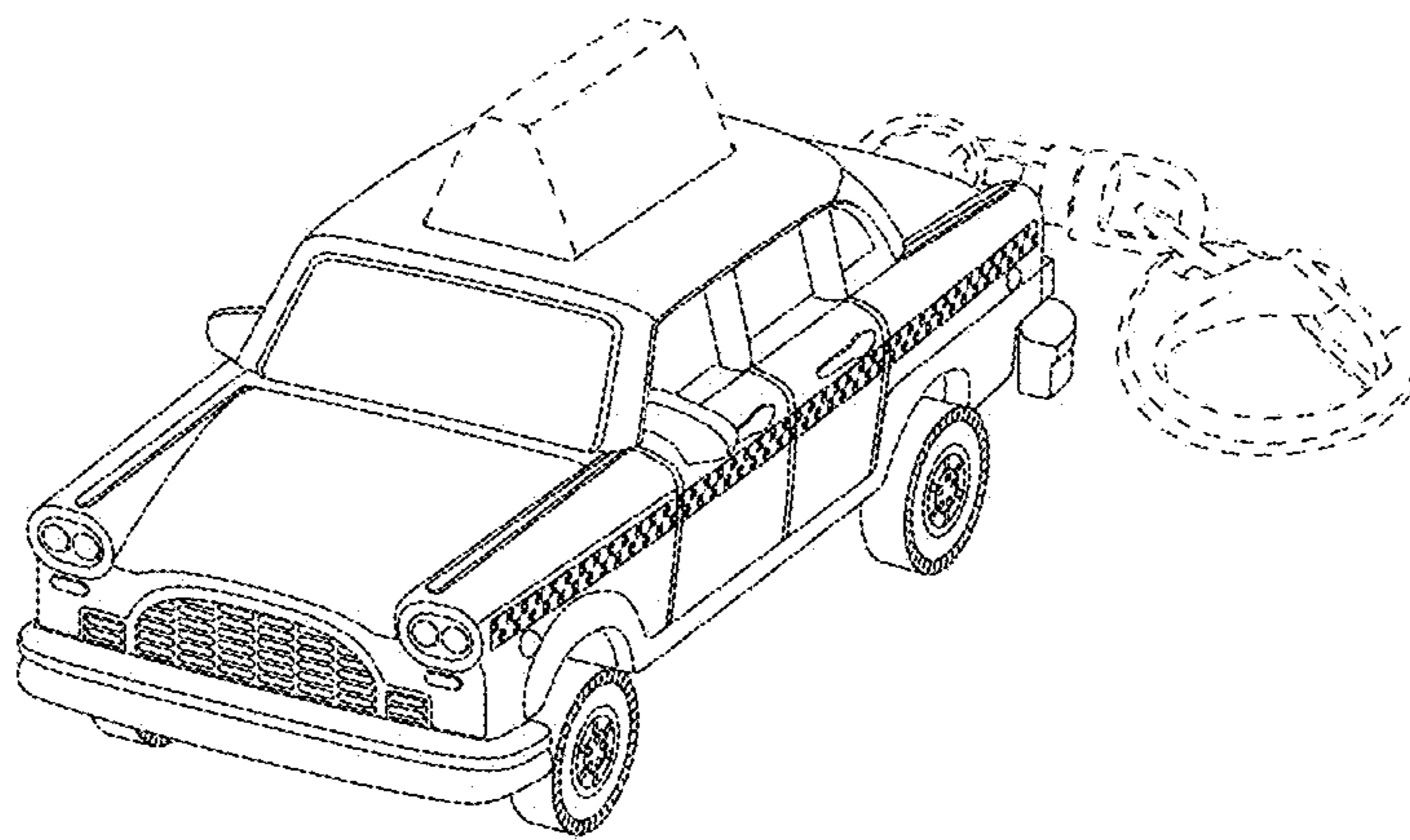


FIG. 7