



US00D703414S

(12) **United States Design Patent**  
**Fretz et al.**

(10) **Patent No.:** **US D703,414 S**  
(45) **Date of Patent:** **\*\* Apr. 22, 2014**

(54) **WINCH**

(75) Inventors: **Darren G. Fretz**, Canby, OR (US);  
**Bryan M. Averill**, Portland, OR (US);  
**Steven W. Shuyler**, Clackamas, OR  
(US); **Bryon M. Borntrager**, West Linn,  
OR (US); **Kyle A. Hartelt**, Portland, OR  
(US); **Glenda M. Steele**, Milwaukie, OR  
(US)

(73) Assignee: **Warn Industries, Inc.**, Clackamas, OR  
(US)

(\*\*) Term: **14 Years**

(21) Appl. No.: **29/426,013**

(22) Filed: **Jun. 29, 2012**

(51) **LOC (10) Cl.** ..... **12-05**

(52) **U.S. Cl.**  
USPC ..... **D34/33**

(58) **Field of Classification Search**  
USPC ..... D34/33; 254/362, 356, 372, 380, 901,  
254/382, 374, 316  
See application file for complete search history.

(56) **References Cited**

**U.S. PATENT DOCUMENTS**

1,550,114 A 8/1925 Simpson  
2,360,713 A \* 10/1944 Parker ..... 254/337  
2,365,141 A \* 12/1944 Sully ..... 254/270  
3,190,617 A \* 6/1965 Burrows ..... 254/342

4,103,872 A \* 8/1978 Hirasuka ..... 254/356  
5,098,068 A 3/1992 Jussila  
5,170,885 A \* 12/1992 Guenther et al. .... 218/134  
5,482,255 A \* 1/1996 Daschel et al. .... 254/378  
6,073,917 A \* 6/2000 Plummer ..... 254/389  
D473,992 S 4/2003 Hodge  
6,601,828 B2 8/2003 Strbuncelj et al.  
6,604,731 B2 \* 8/2003 Hodge ..... 254/344  
D489,157 S 4/2004 Lawson  
6,864,650 B2 \* 3/2005 Heravi et al. .... 318/280  
D550,924 S \* 9/2007 Huang ..... D34/33  
D597,105 S \* 7/2009 Geisler et al. .... D15/9  
D599,524 S 9/2009 Averill et al.  
7,891,641 B1 2/2011 Miller  
2009/0134372 A1 \* 5/2009 Giacomini et al. .... 254/342

\* cited by examiner

*Primary Examiner* — Cynthia Ramirez

(74) *Attorney, Agent, or Firm* — Harness, Dickey & Pierce,  
P.L.C.

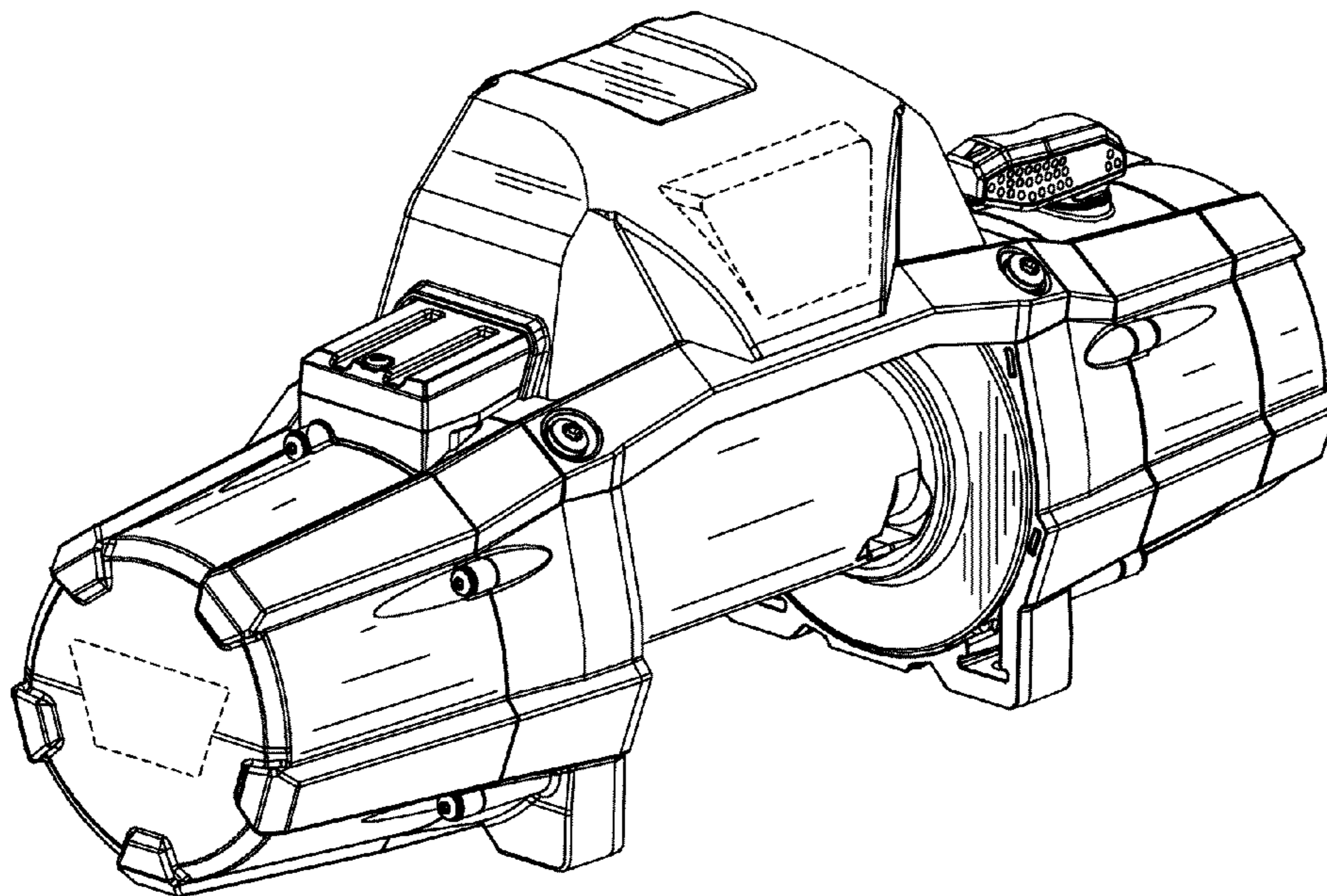
(57) **CLAIM**

The ornamental design for a winch, as shown and described.

**DESCRIPTION**

FIG. 1 is a front perspective view of the winch;  
FIG. 2 is a front plan view of the winch;  
FIG. 3 is a top plan view of the winch;  
FIG. 4 is a right side plan view of the winch; and,  
FIG. 5 is a left side plan view of the winch (the bottom and  
rear views are not considered to be ornamental).  
The lines shown in phantom are for illustrative purposes only  
and do not form part of the claimed design.

**1 Claim, 4 Drawing Sheets**



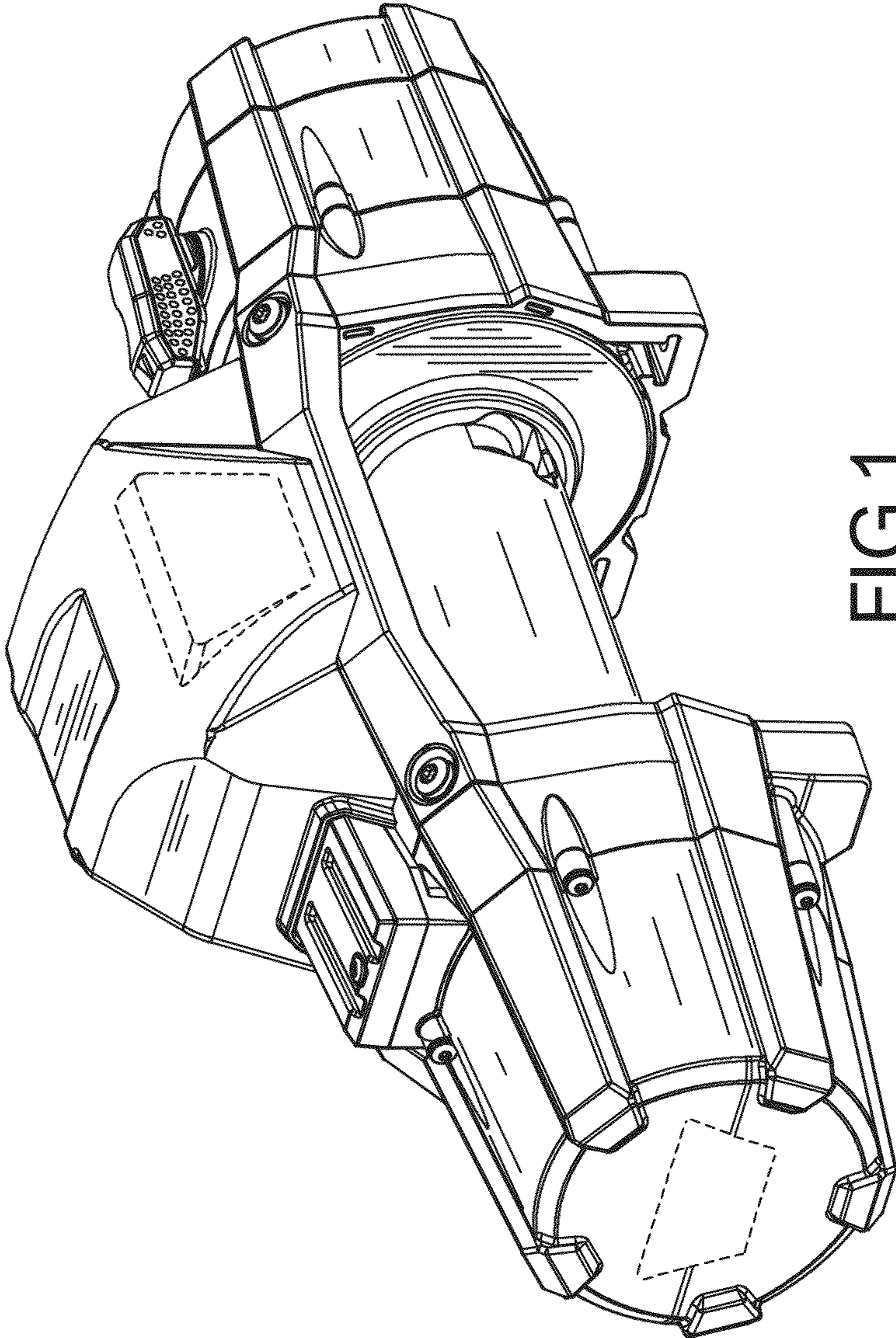


FIG 1



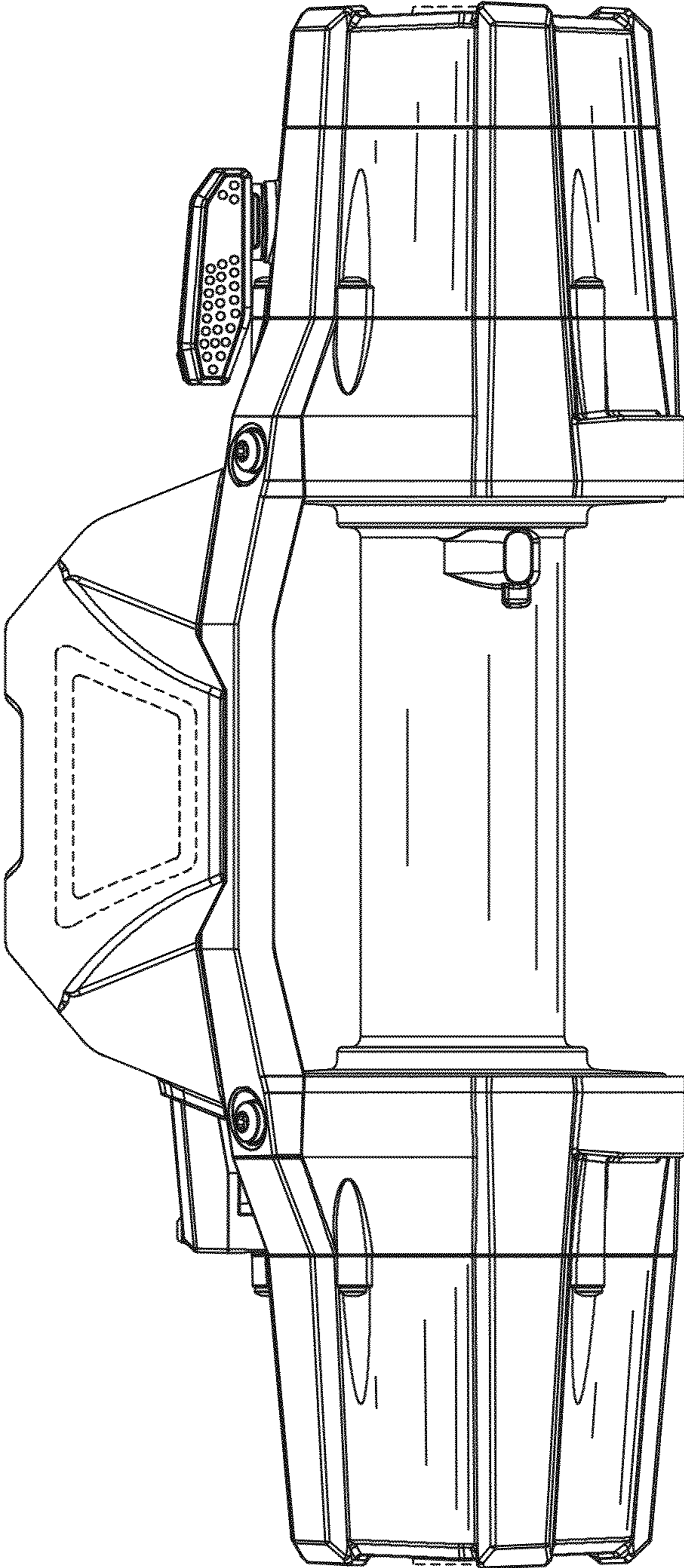


FIG 2

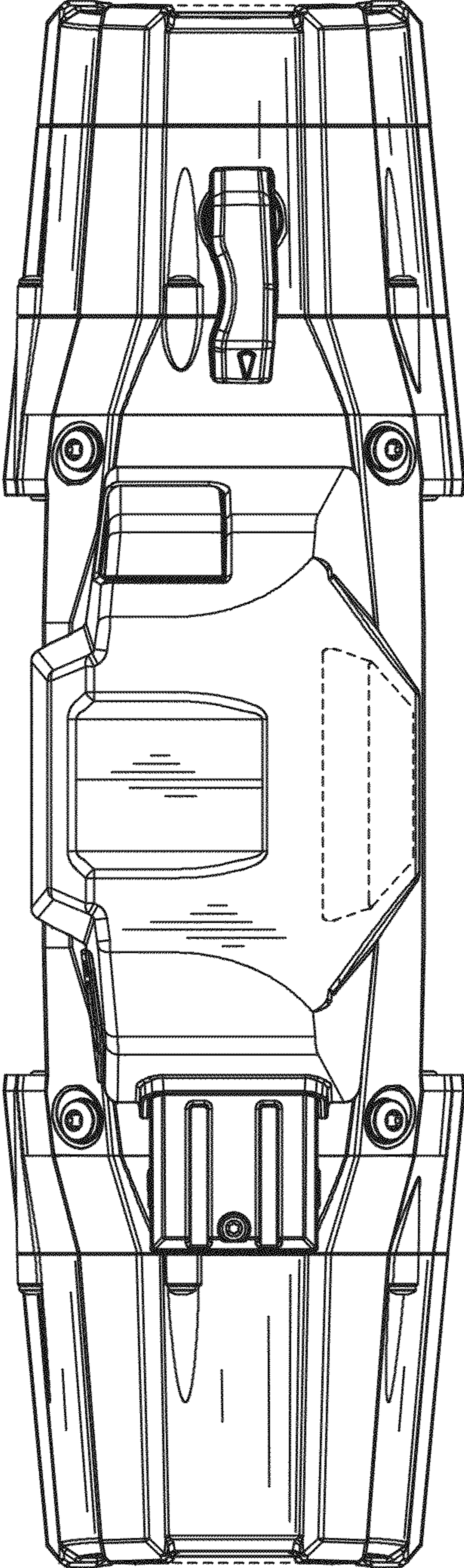


FIG 3



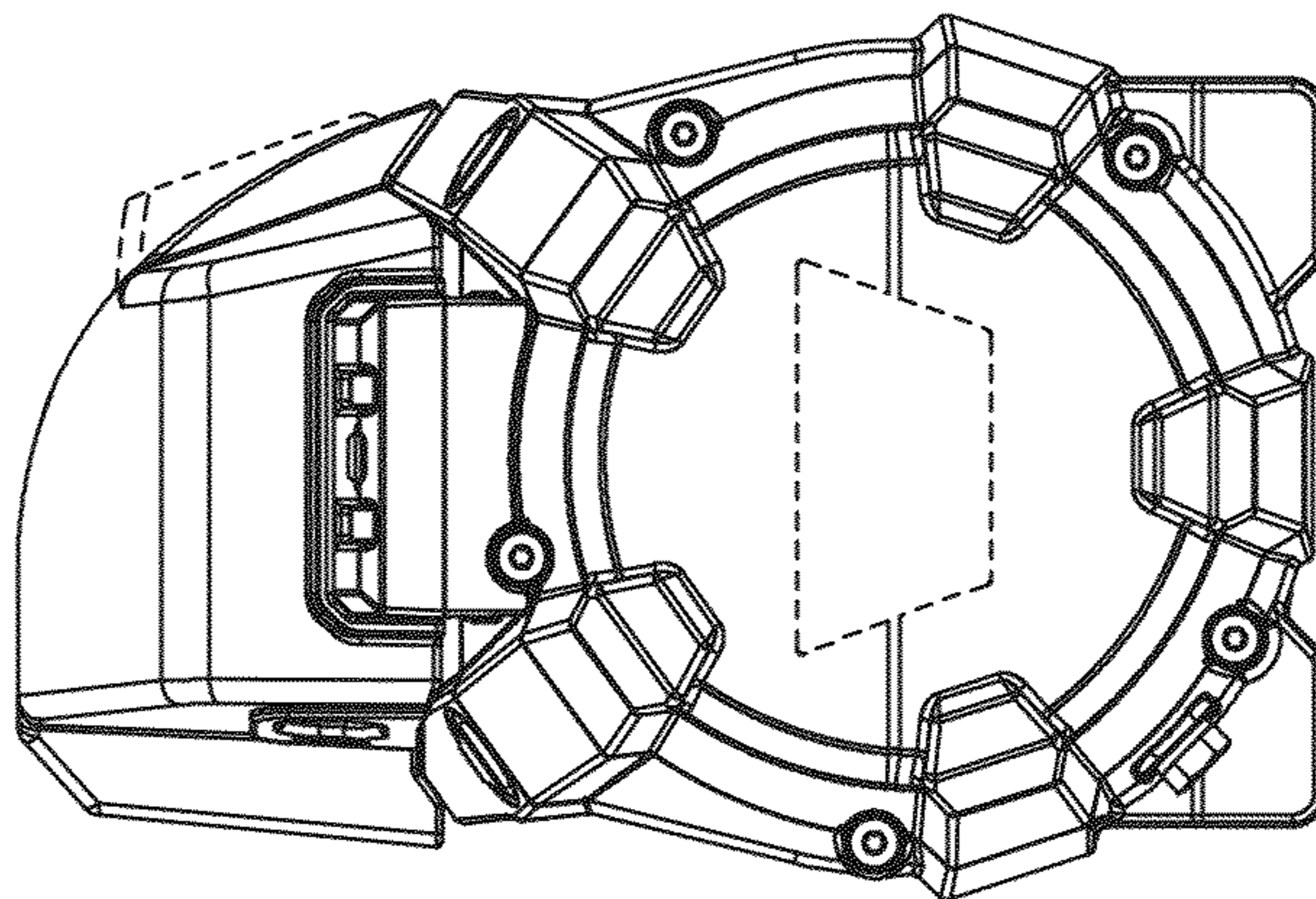


FIG 5

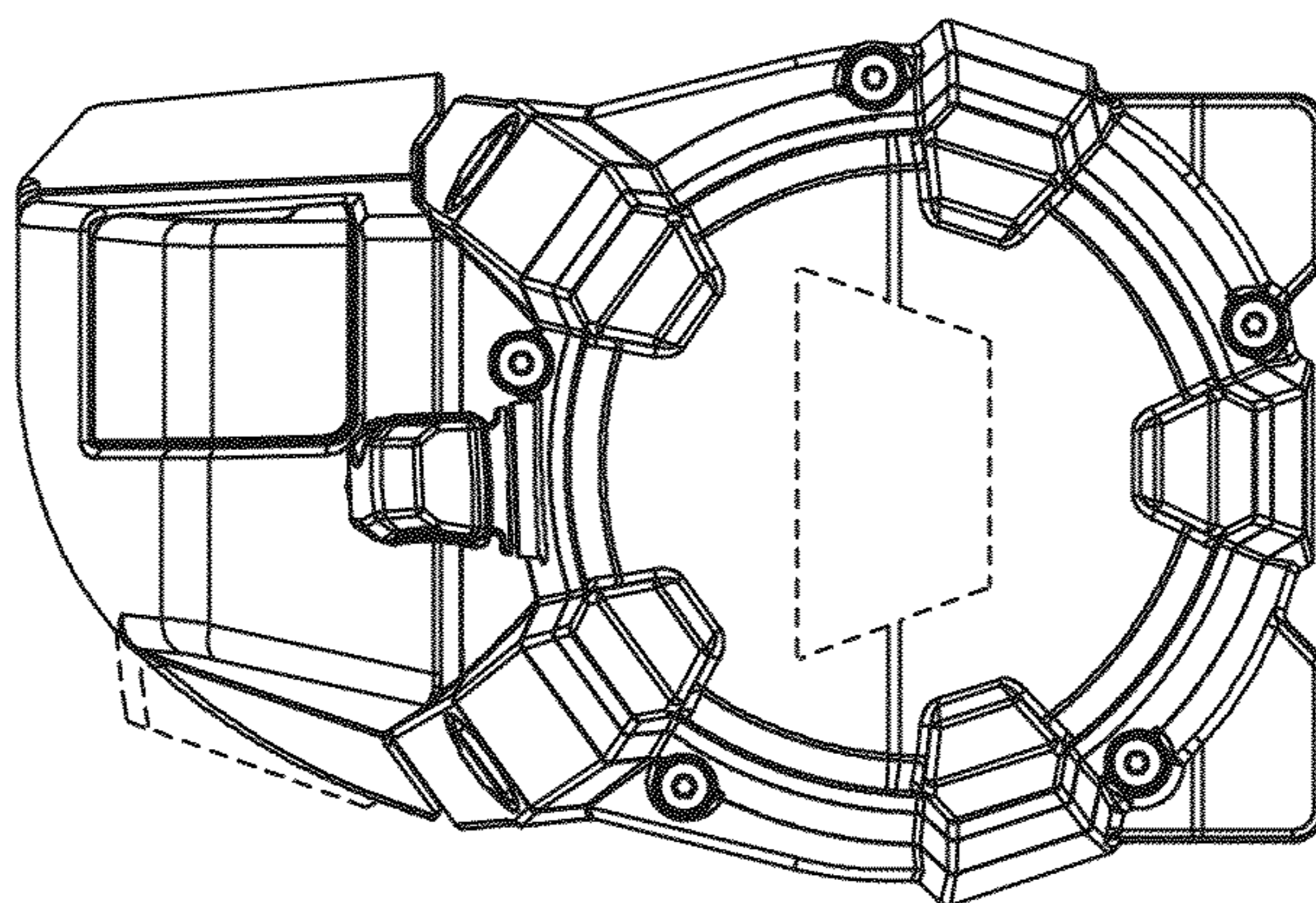


FIG 4