



US00D703411S

(12) **United States Design Patent**
Lin

(10) **Patent No.:** **US D703,411 S**
(45) **Date of Patent:** **** Apr. 22, 2014**

(54) **GOLF BAG CART**

(71) Applicant: **Macauto Industrial Co., Ltd.**, Tainan (TW)

(72) Inventor: **Paul Lin**, Tainan (TW)

(73) Assignee: **Macauto Industrial Co., Ltd.**, Tainan (TW)

(**) Term: **14 Years**

(21) Appl. No.: **29/444,964**

(22) Filed: **Feb. 6, 2013**

(30) **Foreign Application Priority Data**

Nov. 5, 2012 (TW) 101306476

(51) **LOC (10) Cl.** **12-13**

(52) **U.S. Cl.**
USPC **D34/15**

(58) **Field of Classification Search**
USPC D34/12-27; 280/DIG. 5, 62, 47.19,
280/47.26, 47.17, 47.18, 47.24, 40, 30, 41,
280/646, 652, 47.22, 79.11; 180/19.3, 19.1,
180/65.6

See application file for complete search history.

(56) **References Cited**

U.S. PATENT DOCUMENTS

D570,571 S * 6/2008 Liao D34/15
D586,522 S * 2/2009 Liao D34/15

D629,993 S * 12/2010 Liao D34/15
D632,040 S * 2/2011 Liao D34/15
D638,600 S * 5/2011 Wu D34/15
D638,601 S * 5/2011 Lin D34/15
D657,524 S * 4/2012 Liao D34/15
D664,732 S * 7/2012 Liao D34/15

* cited by examiner

Primary Examiner — Cynthia Ramirez

(74) *Attorney, Agent, or Firm* — Brinks Gilson & Lione

(57) **CLAIM**

The ornamental design for golf bag cart, as shown and described.

DESCRIPTION

FIG. 1 is a perspective view of golf bag cart showing my new design;

FIG. 2 is a front elevational view thereof;

FIG. 3 is a rear elevational view thereof;

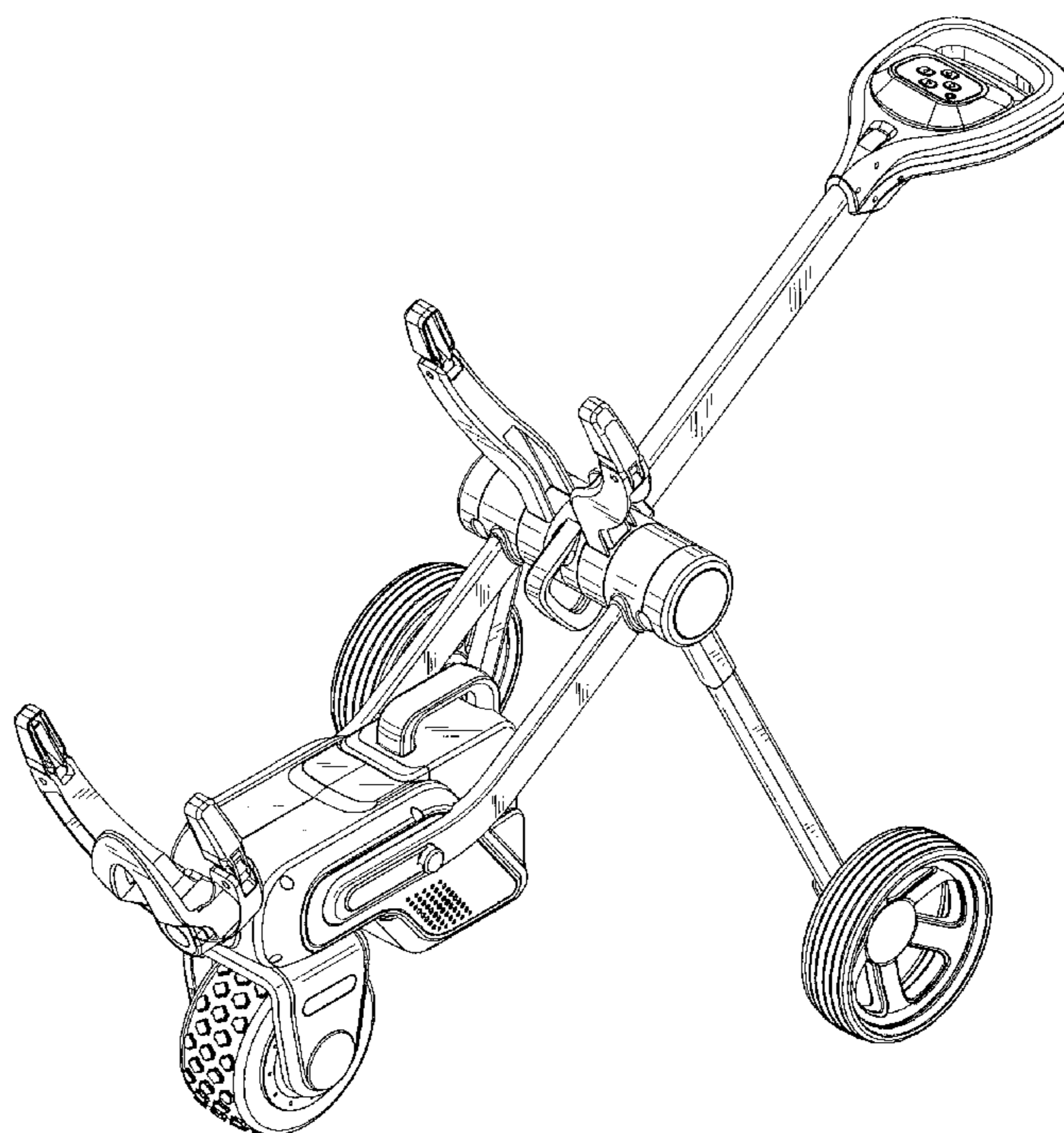
FIG. 4 is a left side elevational view thereof;

FIG. 5 is a right side elevational view thereof;

FIG. 6 is a top plan view thereof; and,

FIG. 7 is a bottom plan view thereof.

1 Claim, 7 Drawing Sheets



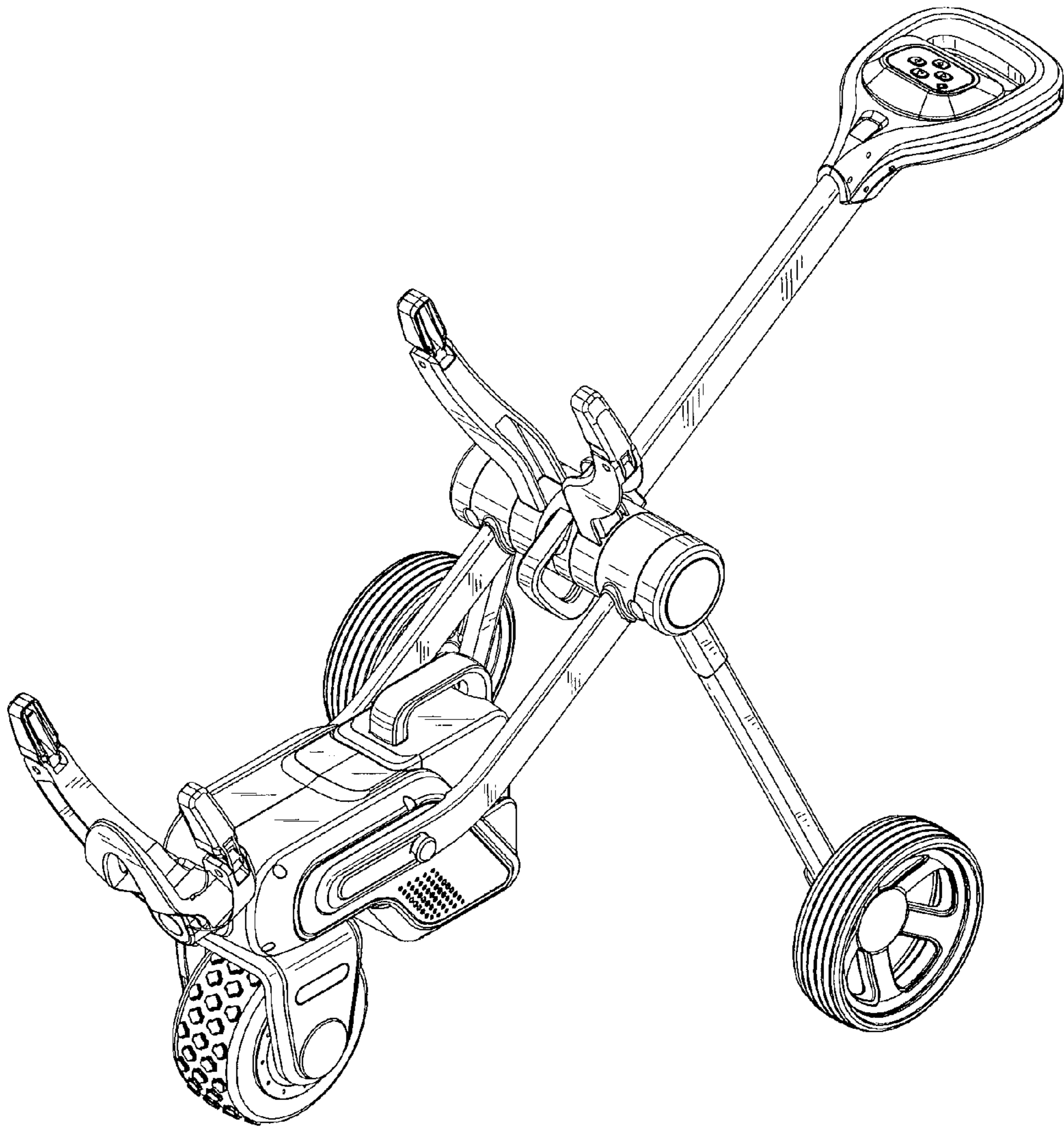


FIG. 1

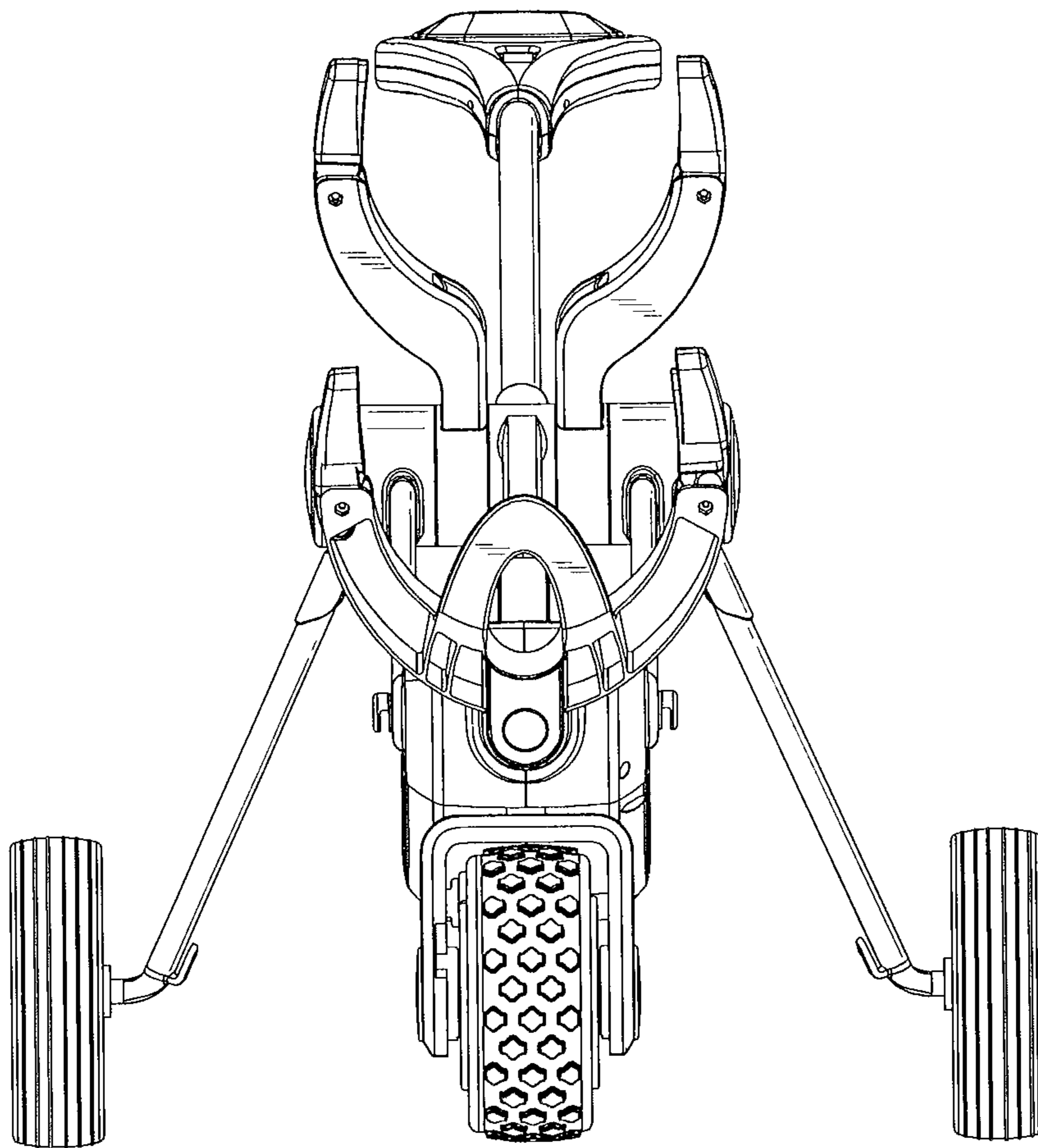


FIG. 2

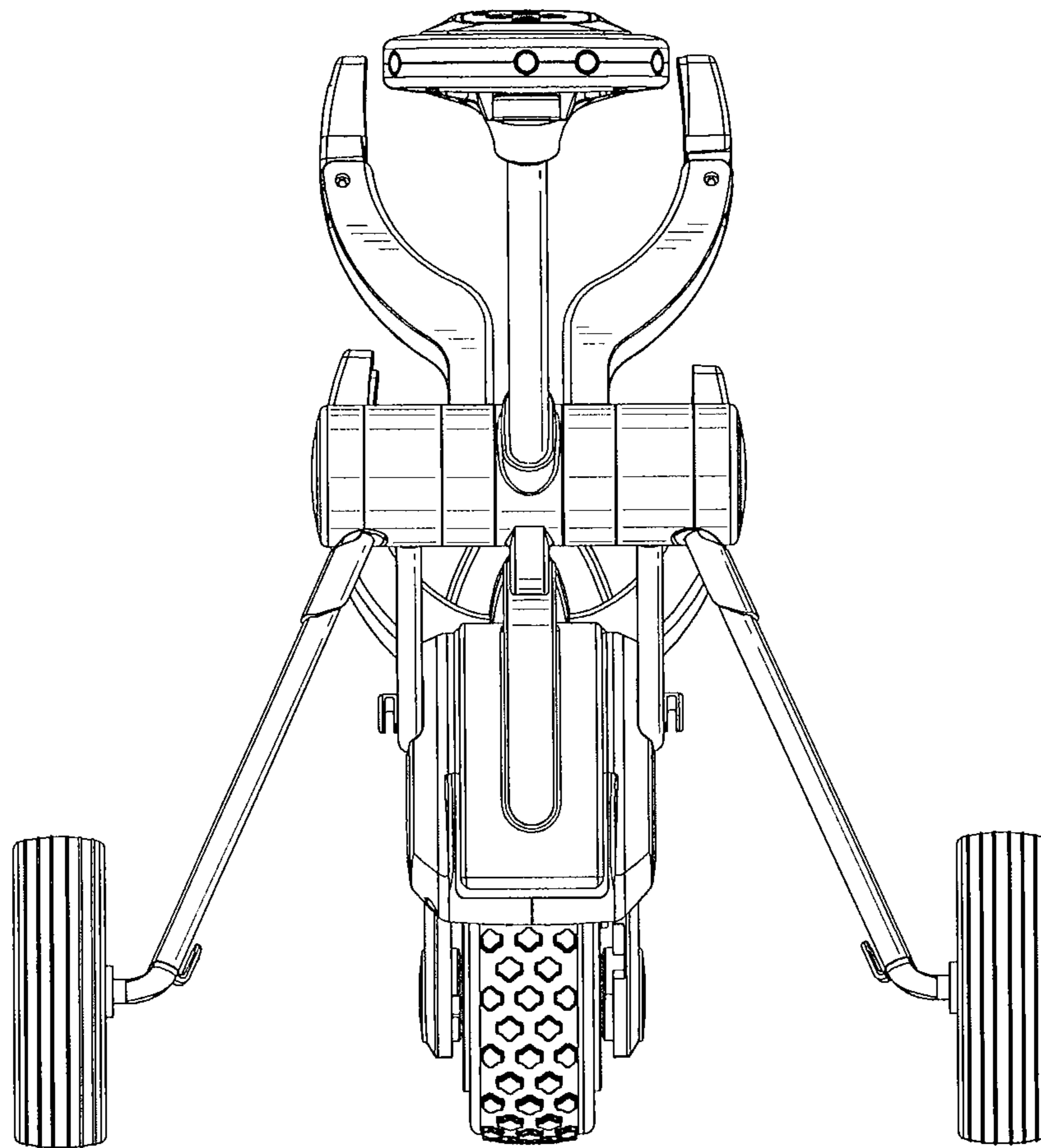


FIG. 3

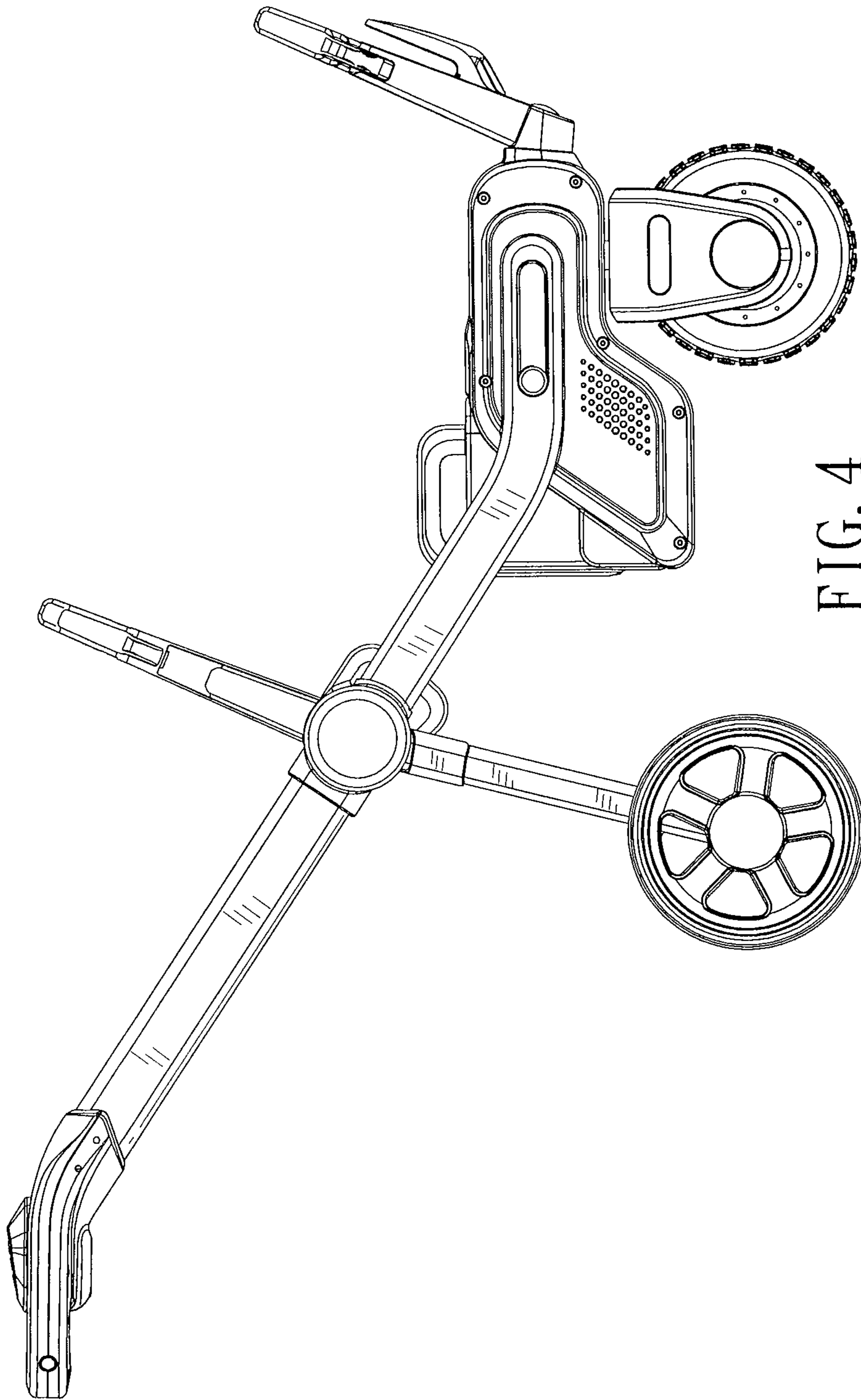


FIG. 4

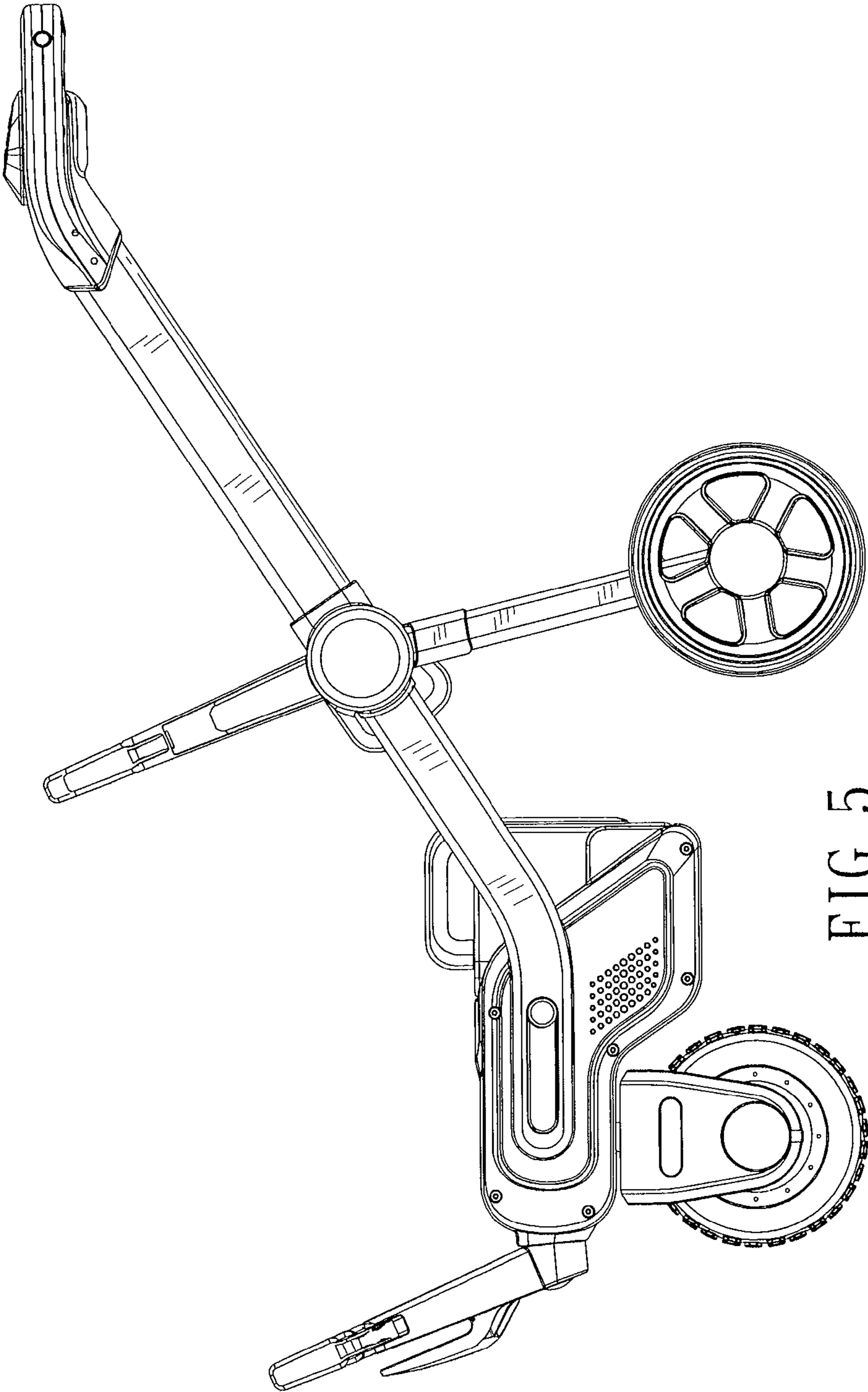


FIG. 5

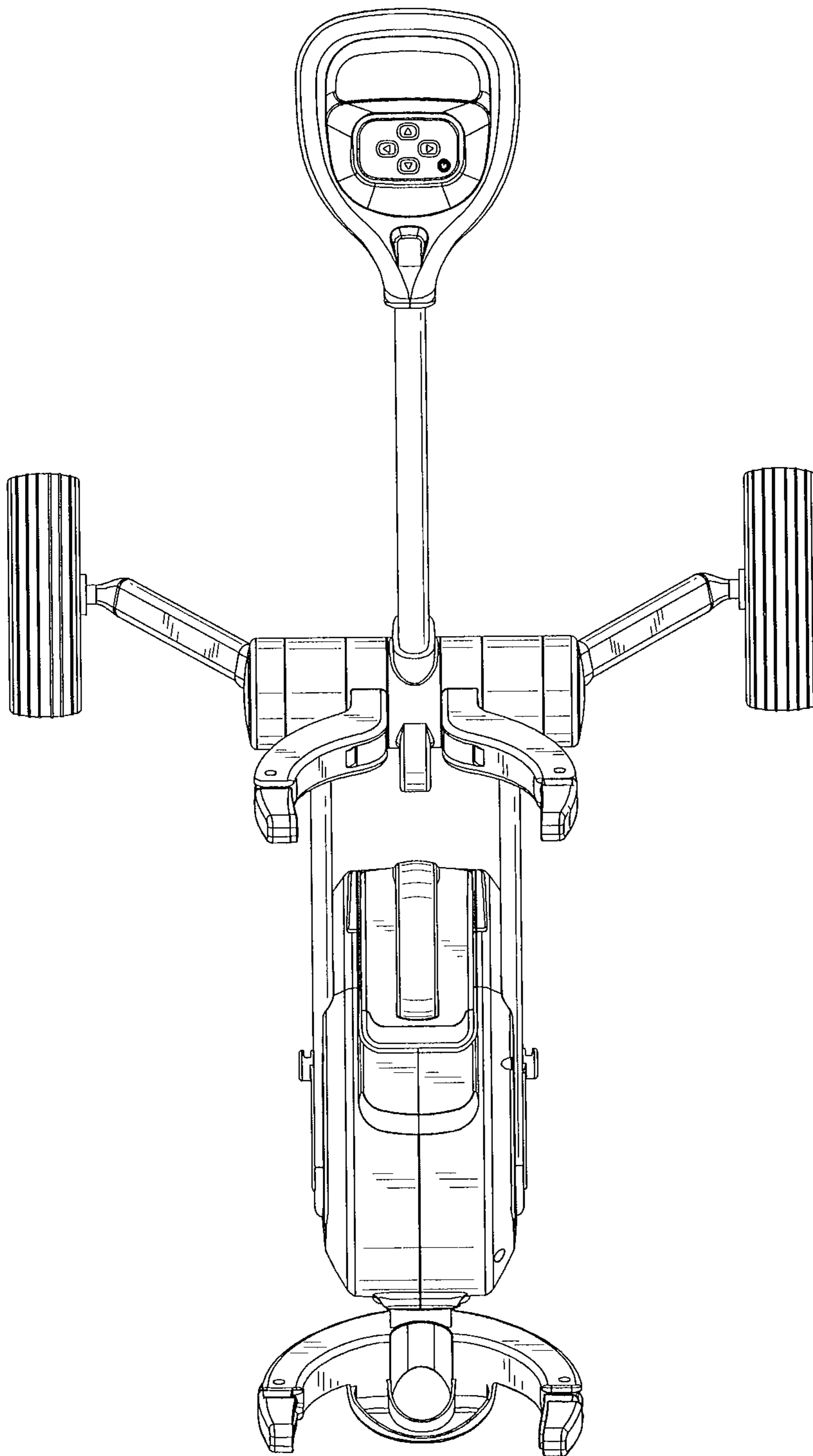


FIG. 6

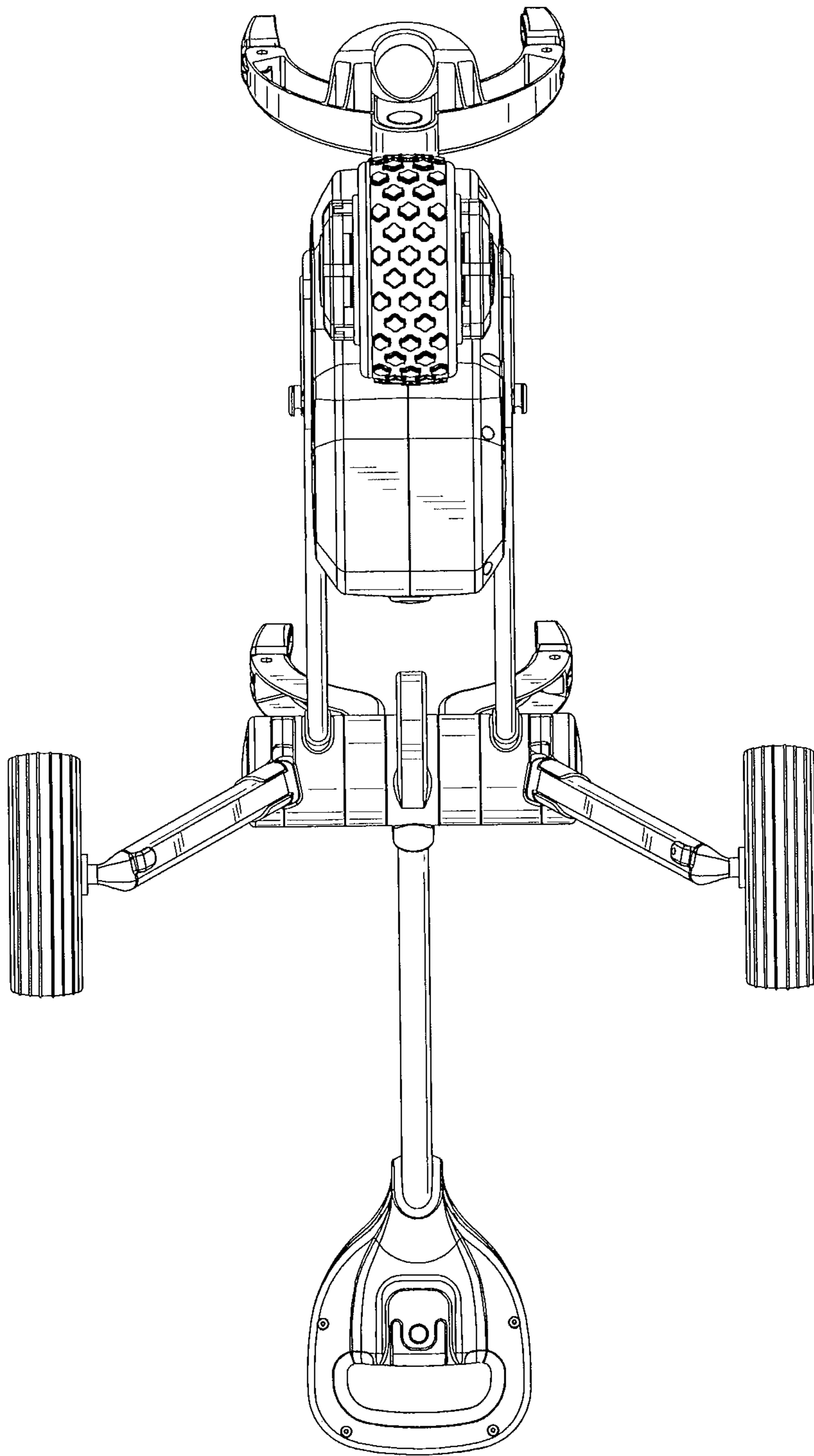


FIG. 7