



US00D703410S

(12) **United States Design Patent**
Sisko

(10) **Patent No.:** **US D703,410 S**
(45) **Date of Patent:** **** Apr. 22, 2014**

(54) **TRASH RECEPTACLE FLEXIBLE TOW STRAP**

(71) Applicant: **Tibor Frank Sisko**, Vista, CA (US)

(72) Inventor: **Tibor Frank Sisko**, Vista, CA (US)

(**) Term: **14 Years**

(21) Appl. No.: **29/451,293**

(22) Filed: **Mar. 29, 2013**

Related U.S. Application Data

(63) Continuation-in-part of application No. 13/506,020, filed on Mar. 21, 2012, now abandoned.

(51) **LOC (10) Cl.** **12-02**

(52) **U.S. Cl.**
USPC **D34/10**

(58) **Field of Classification Search**
USPC D34/10, 11, 28; D8/14; 224/543;
280/480, 400; 414/462

See application file for complete search history.

(56) **References Cited**

U.S. PATENT DOCUMENTS

D35,096	S	*	9/1901	Carry	D34/28
D282,994	S	*	3/1986	Prader	D6/566
4,638,968	A	*	1/1987	Auten	248/97
D294,559	S	*	3/1988	Schwalbach	D9/434
D303,305	S	*	9/1989	Deacon	D34/6

4,984,759	A	*	1/1991	Perlant	248/99
5,026,105	A	*	6/1991	Feldman	294/170
D345,838	S	*	4/1994	Bunn	D34/6
D409,913	S	*	5/1999	Le Roux	D9/434
5,992,803	A	*	11/1999	LeRoux	248/100
6,224,127	B1		5/2001	Hodge		
D507,688	S	*	7/2005	Jean	D34/10
D519,701	S	*	4/2006	Trudeau	D34/6
7,021,644	B1		4/2006	Master		
7,530,537	B2		5/2009	Kandah	248/99
D628,758	S	*	12/2010	Stone	D34/5
2002/0145024	A1		10/2002	Schuster		
2005/0173600	A1		8/2005	Morris	248/95
2006/0011784	A1		1/2006	Liebermann	248/95
2006/0291985	A1		12/2006	Sullivan		
2010/0288952	A1		11/2010	Christensen	251/129.15

* cited by examiner

Primary Examiner — Cynthia Ramirez

(74) *Attorney, Agent, or Firm* — George S. Levy

(57) **CLAIM**

The ornamental design for a trash receptacle flexible towing device, as shown and described.

DESCRIPTION

FIG. 1 a perspective view of a trash receptacle flexible towing device.

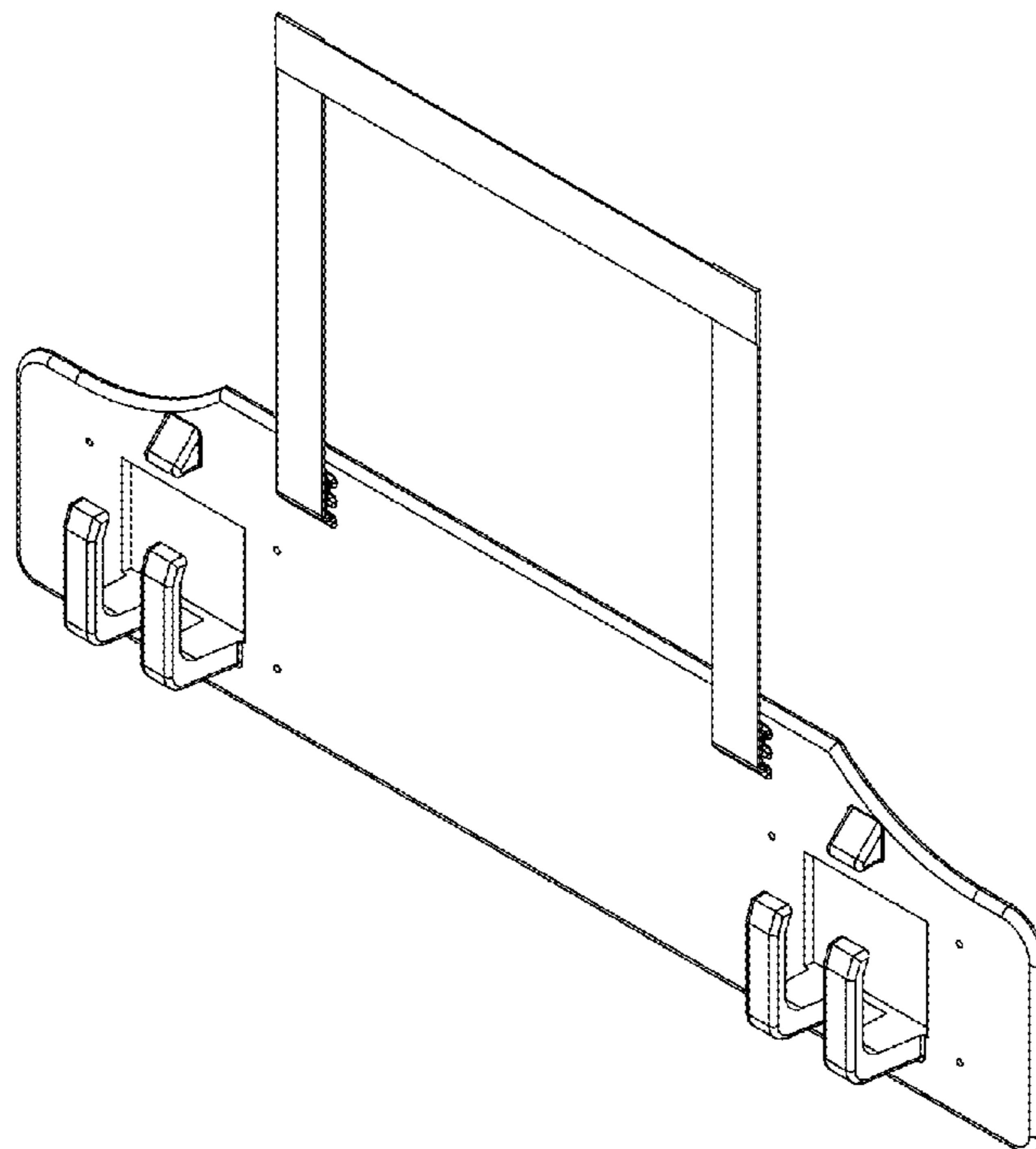
FIG. 2 is a top view thereof.

FIG. 3 is a bottom view thereof.

FIG. 4 is a front view thereof; and,

FIG. 5 is a side view thereof.

1 Claim, 5 Drawing Sheets



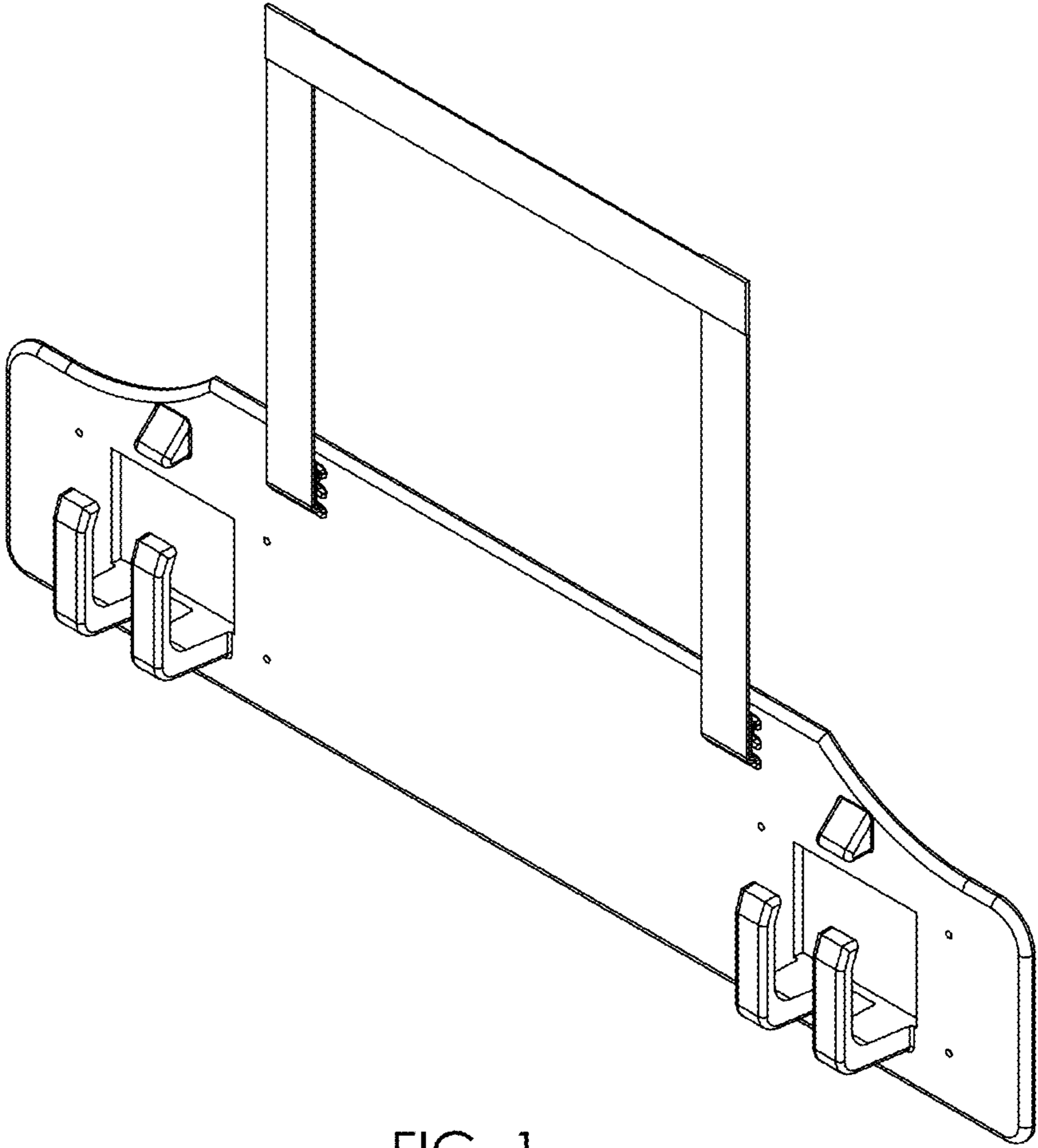


FIG. 1

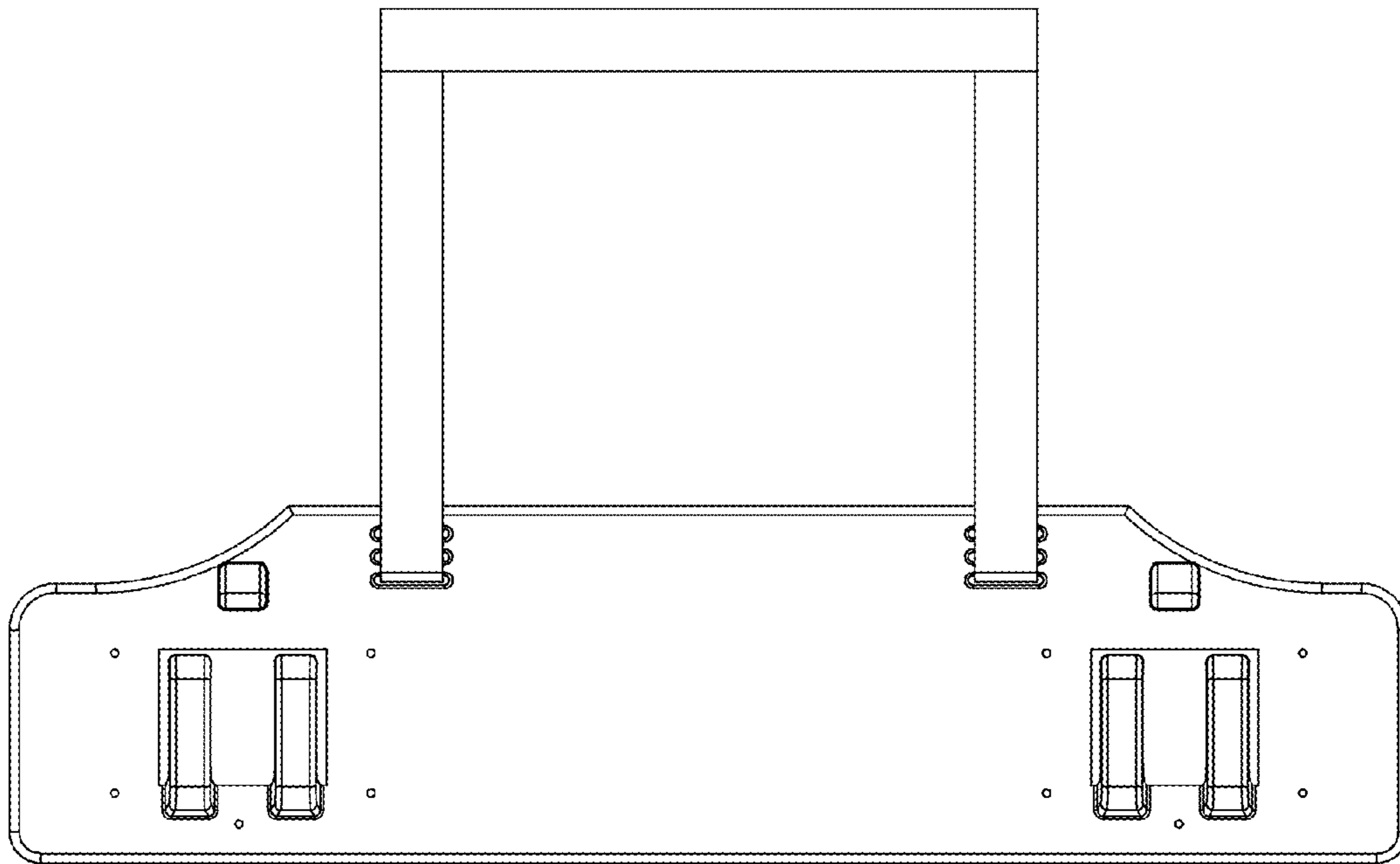


FIG. 2

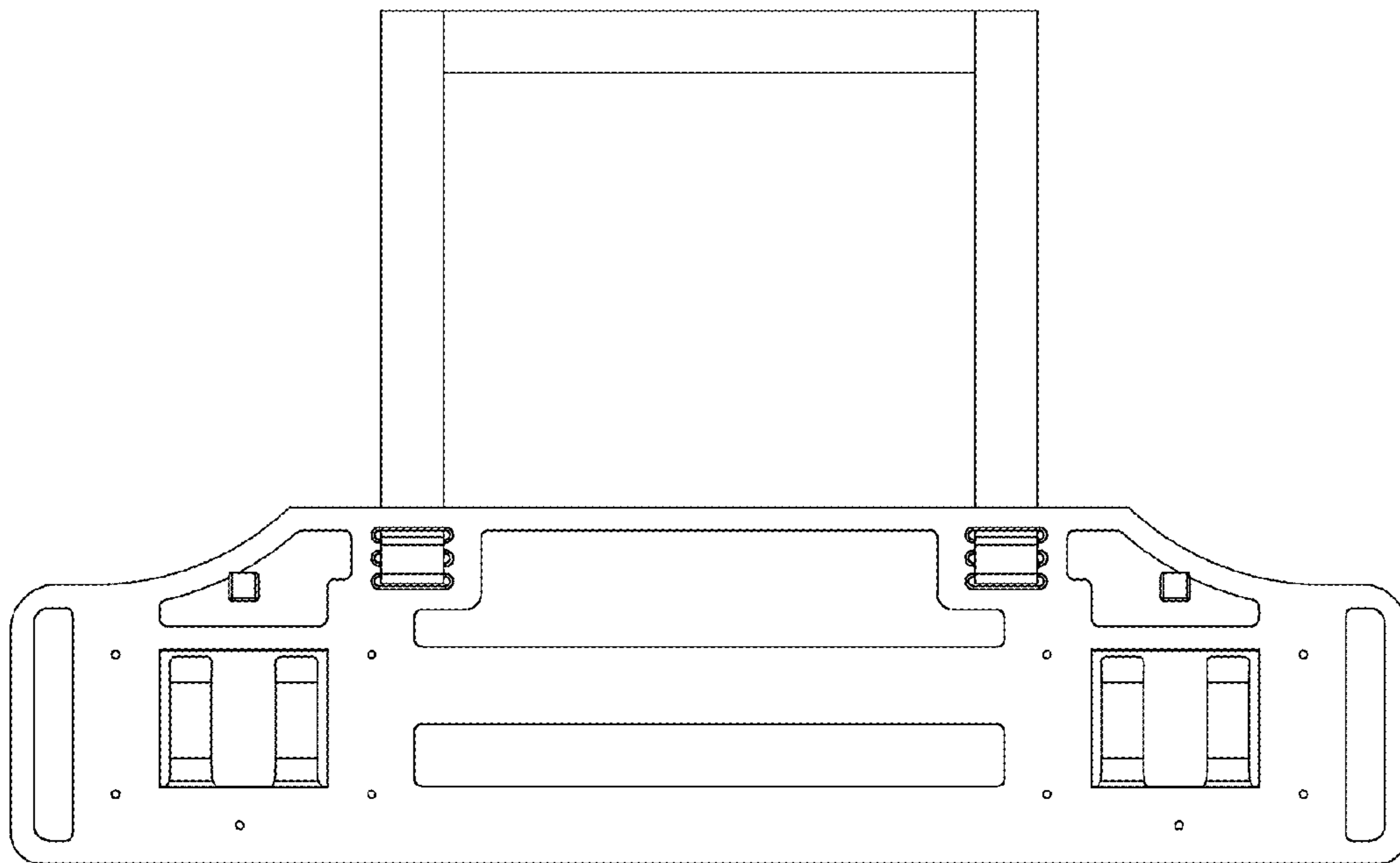


FIG. 3

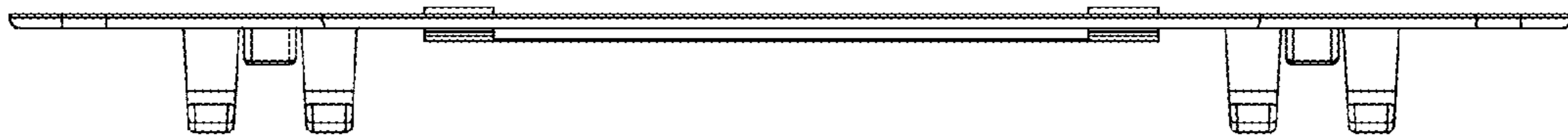


FIG. 4

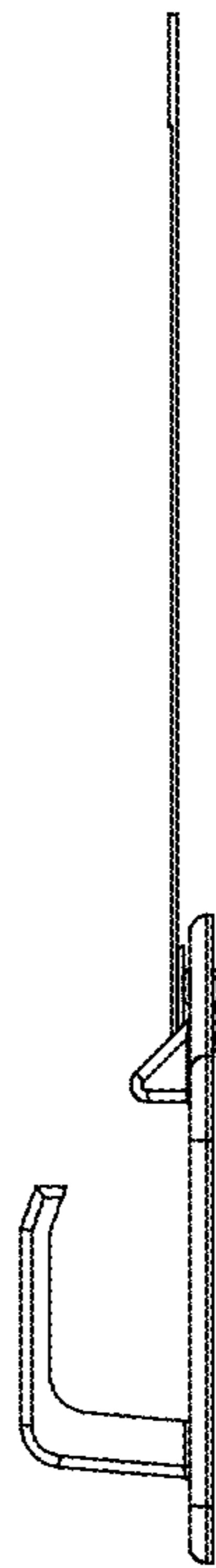


FIG. 5