



US00D703407S

(12) **United States Design Patent**  
**Xiong**

(10) **Patent No.:** **US D703,407 S**

(45) **Date of Patent:** **\*\* Apr. 22, 2014**

(54) **WATER MOP**

(71) Applicant: **Tong Xiong**, Madison, WI (US)

(72) Inventor: **Tong Xiong**, Madison, WI (US)

(\*\*) Term: **14 Years**

(21) Appl. No.: **29/458,233**

(22) Filed: **Jun. 17, 2013**

(51) **LOC (10) Cl.** ..... **04-01**

(52) **U.S. Cl.**  
USPC ..... **D32/45**

(58) **Field of Classification Search**  
USPC ..... D32/40, 45, 50, 51; 15/228, 119.2,  
15/210.1, 229.3, 229.4; 401/137-140  
See application file for complete search history.

(56) **References Cited**

**U.S. PATENT DOCUMENTS**

D458,427 S \* 6/2002 Kunkler et al. .... D32/45  
D583,118 S \* 12/2008 Snyder ..... D32/51

7,480,956 B2 \* 1/2009 Policicchio et al. .... 15/228  
D597,717 S \* 8/2009 Rosenzweig et al. .... D32/45  
8,186,898 B2 \* 5/2012 Bradbury et al. .... 401/139  
D673,748 S \* 1/2013 Snyder et al. .... D32/50

\* cited by examiner

*Primary Examiner* — Robin V Webster

(74) *Attorney, Agent, or Firm* — QuickPatents; Kevin Prince

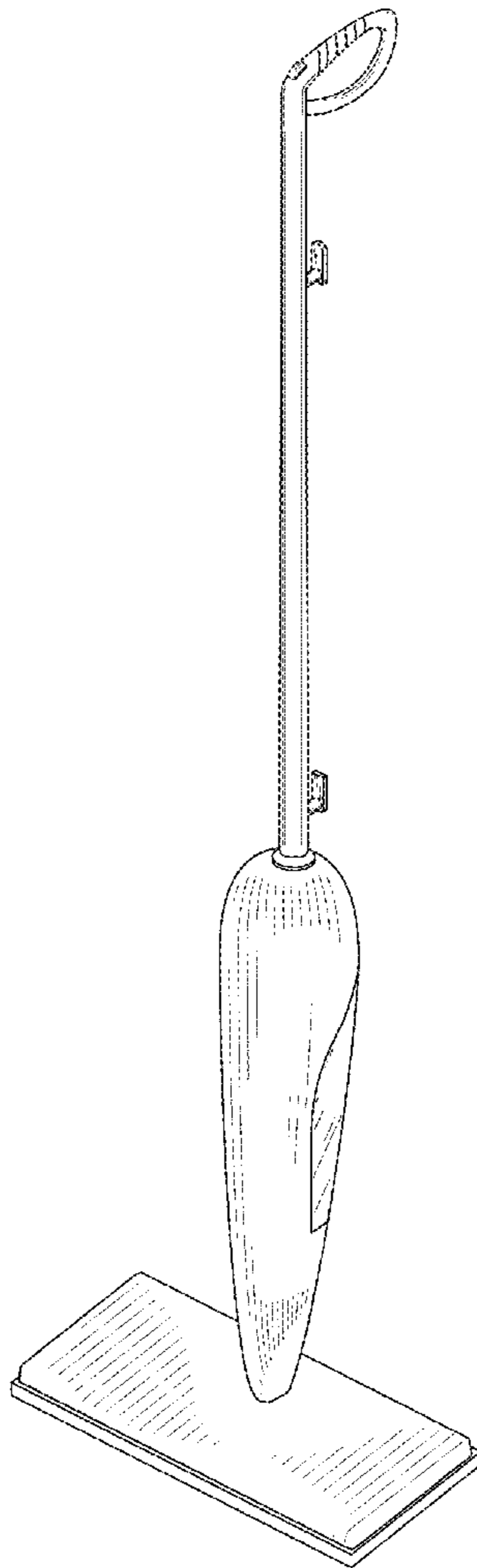
(57) **CLAIM**

I claim the ornamental design for a water mop, as shown and described.

**DESCRIPTION**

FIG. 1 is a perspective view of a water mop, showing my new design;  
FIG. 2 is a front elevational view thereof;  
FIG. 3 is a rear elevational view thereof;  
FIG. 4 is a right-side elevational view thereof;  
FIG. 5 is a left-side elevational view thereof;  
FIG. 6 is a top plan view thereof; and,  
FIG. 7 is a bottom plan view thereof.

**1 Claim, 4 Drawing Sheets**



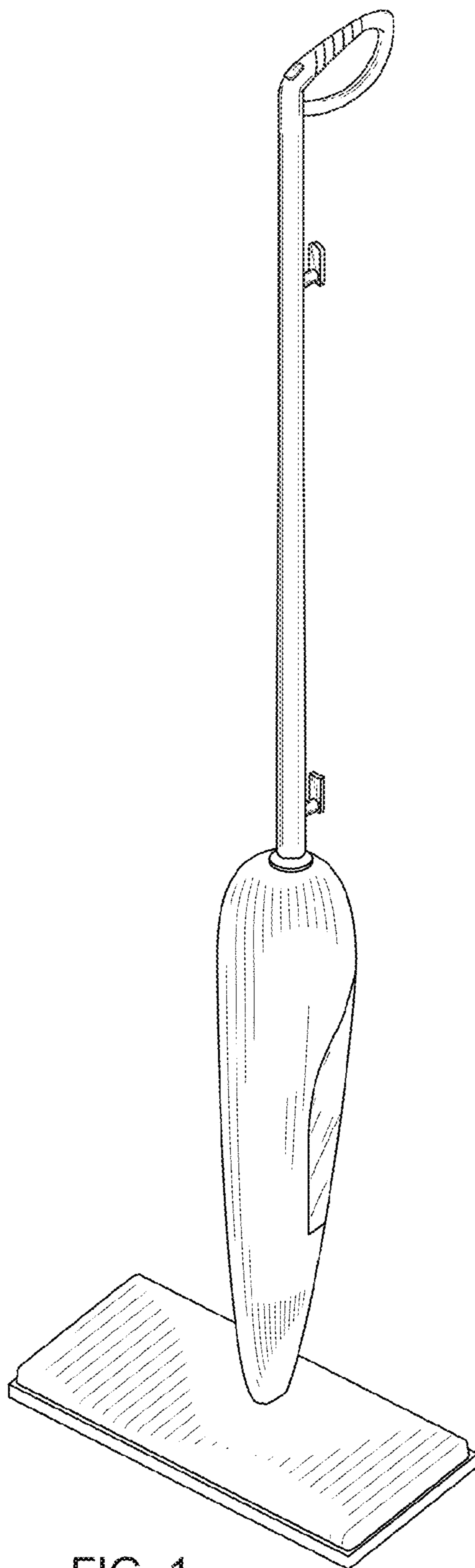


FIG. 1

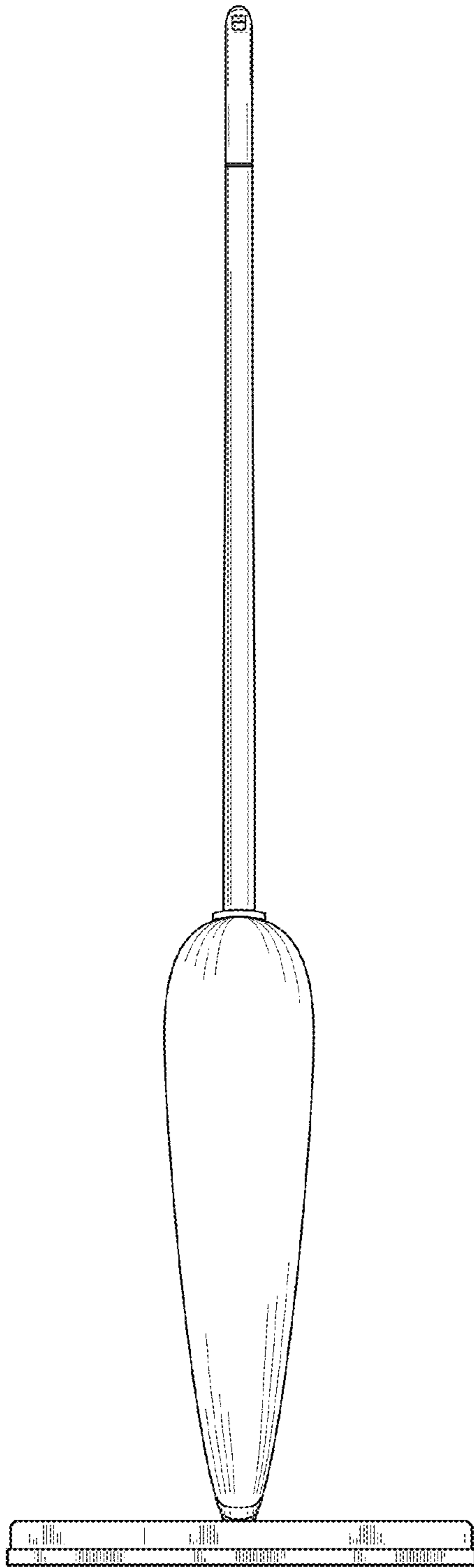


FIG. 2

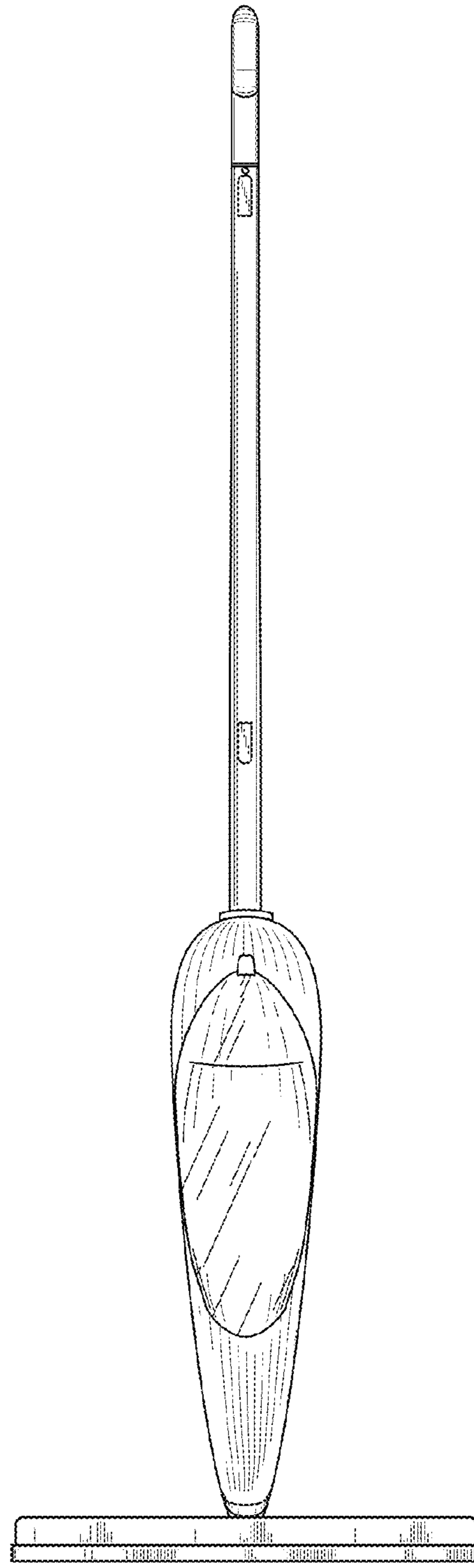


FIG. 3

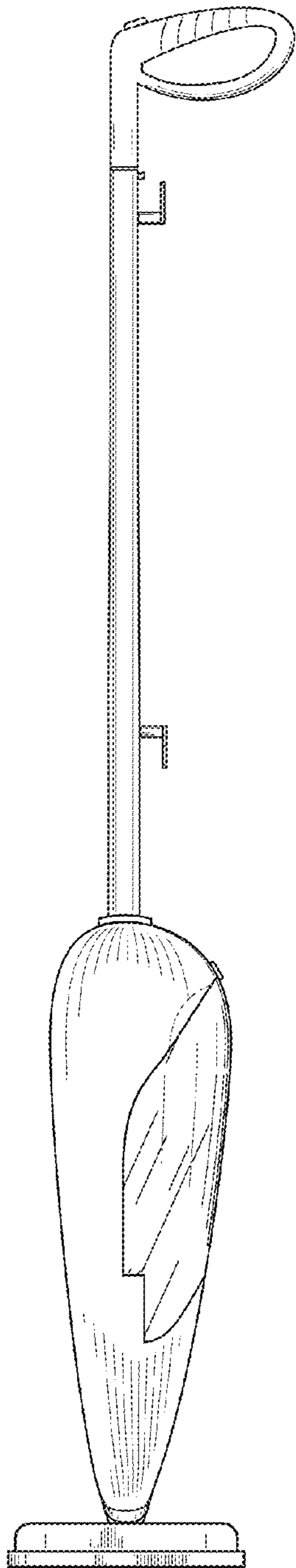


FIG. 4

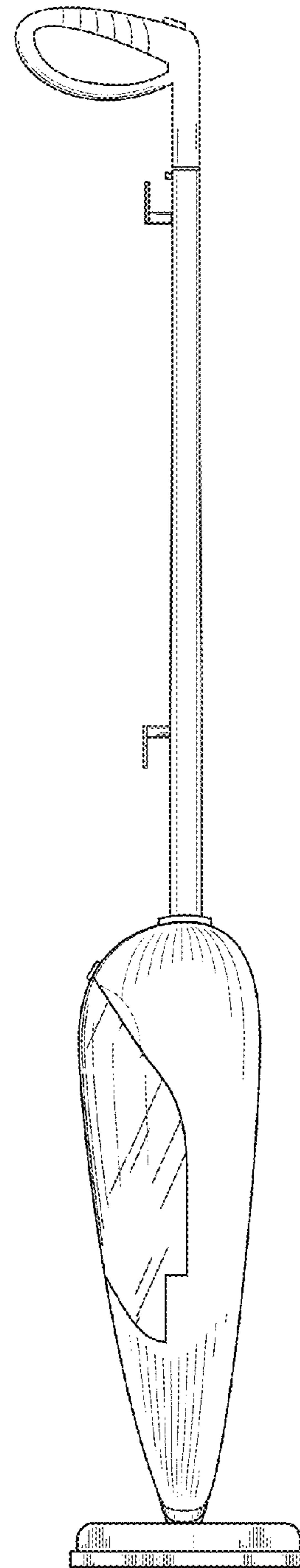


FIG. 5

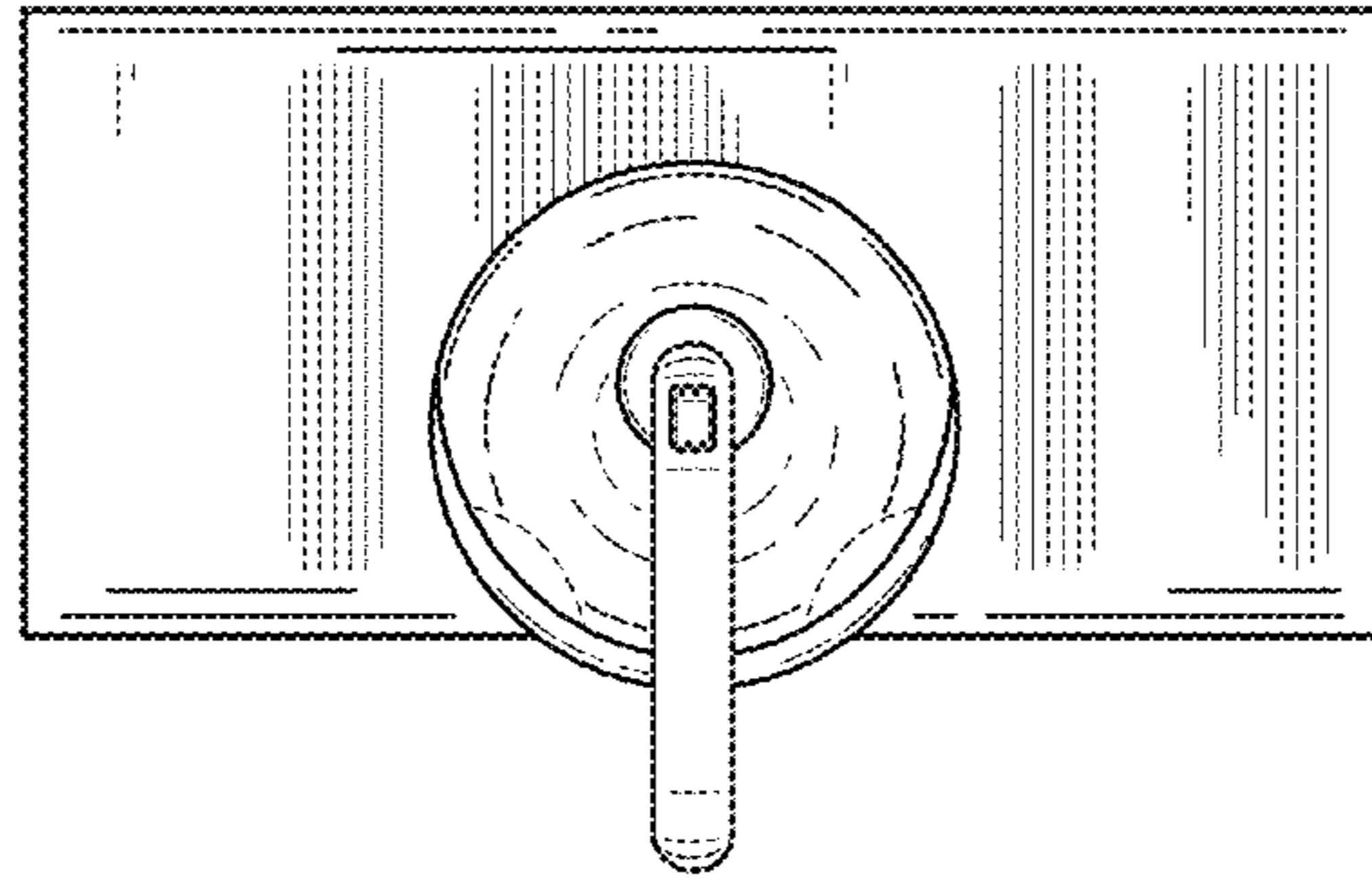


FIG. 6

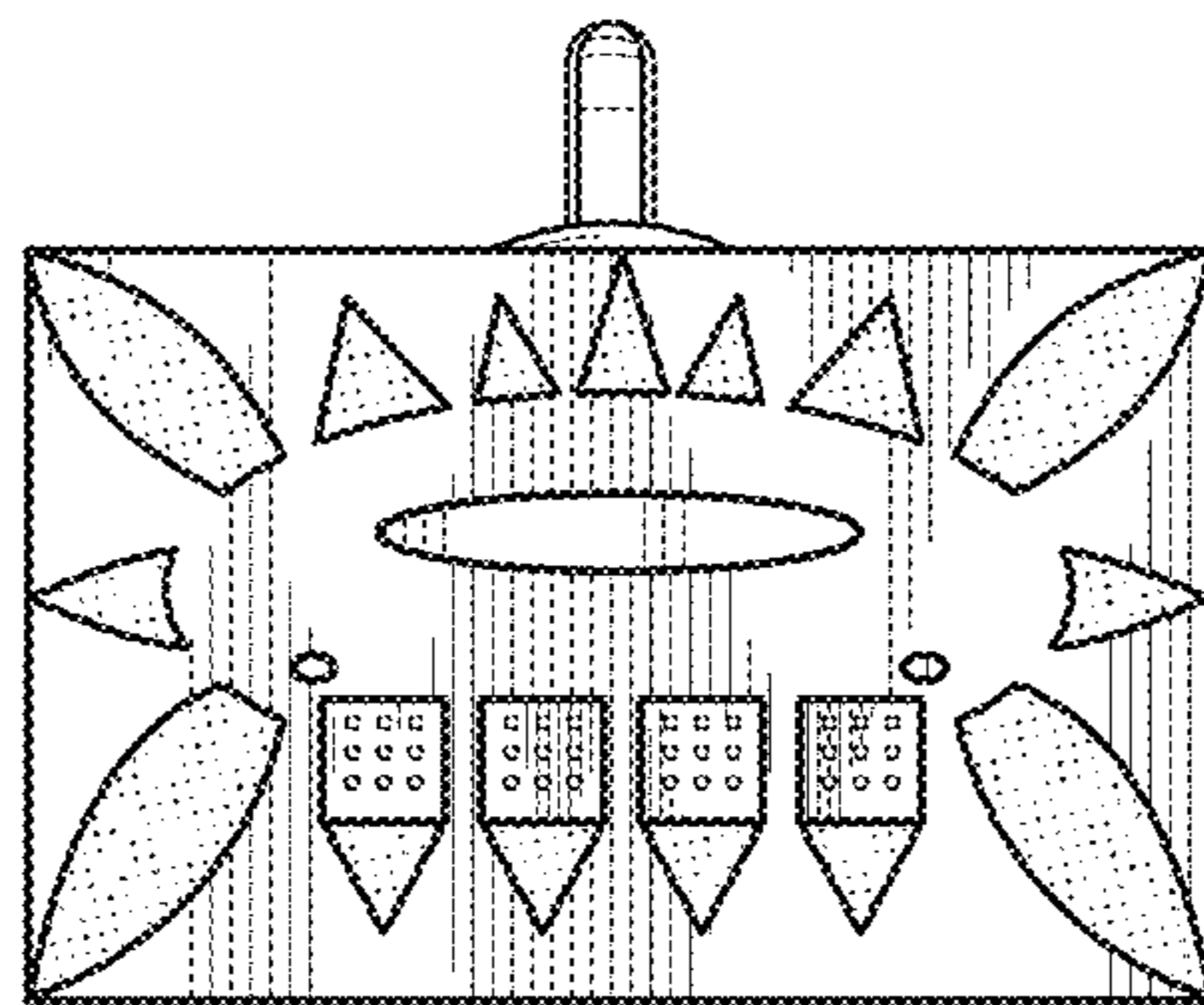


FIG. 7