



US00D703406S

(12) **United States Design Patent**  
**Meyer**

(10) **Patent No.:** **US D703,406 S**

(45) **Date of Patent:** **\*\* Apr. 22, 2014**

(54) **PART OF WINDOW CLEANING APPLIANCE**

D640,432 S 6/2011 Jackson  
D652,595 S \* 1/2012 Pottes ..... D32/41  
D685,554 S \* 7/2013 Malvasio ..... D32/40

(71) Applicant: **Alfred Kaercher GmbH & Co. KG**,  
Winnenden (DE)

(72) Inventor: **Michael Meyer**, Schwaikheim (DE)

(73) Assignee: **Alfred Kaercher GmbH & Co. KG**,  
Winnenden (DE)

(\*\*) Term: **14 Years**

(21) Appl. No.: **29/446,166**

(22) Filed: **Feb. 21, 2013**

(30) **Foreign Application Priority Data**

Aug. 28, 2012 (WO) ..... DM/079 032

(51) **LOC (10) Cl.** ..... **04-01**

(52) **U.S. Cl.**  
USPC ..... **D32/41**

(58) **Field of Classification Search**  
USPC ..... D32/40, 41, 42, 45; 15/245, 245.1, 121,  
15/208, 209.1  
See application file for complete search history.

(56) **References Cited**

**U.S. PATENT DOCUMENTS**

D235,119 S \* 5/1975 Gode ..... D4/118  
D291,378 S \* 8/1987 Viner ..... D32/41  
D316,318 S 4/1991 Cheang  
D338,090 S 8/1993 Kamiyama  
D366,738 S \* 1/1996 Israel ..... D32/42  
5,615,449 A 4/1997 Sepke  
D386,852 S 11/1997 Viner  
D417,934 S \* 12/1999 Footer et al. .... D32/42  
D468,877 S 1/2003 Burgos  
D515,758 S \* 2/2006 Turchi et al. .... D32/42  
7,674,060 B2 3/2010 Lucero

**OTHER PUBLICATIONS**

Extract from catalog of Alfred Kaercher GmbH & Co. KG,  
“Programme 2008”, cover, p. 80 and last page (Dec. 2007).

Extract from catalog of Alfred Kaercher GmbH & Co. KG,  
“Programme 2009 Kaercher Residential”, cover, p. 114 and last page  
(Mar. 2009).

Extract from catalog of Alfred Kaercher GmbH & Co. KG,  
“Programme 2010 Home & Garden”, cover, p. 116 and last page  
(Nov. 2009).

Extract from catalog of Alfred Kaercher GmbH & Co. KG,  
“Programme 2011 Kaercher Home & Garden”, cover, p. 124 and last  
page (Nov. 2010).

Extract from catalog of Alfred Kaercher GmbH & Co. KG,  
“Programme 2012 Kaercher Home & Garden”, cover, p. 107 and last  
page (Oct. 2011).

\* cited by examiner

*Primary Examiner* — Robin V Webster

(74) *Attorney, Agent, or Firm* — Lipsitz & McAllister, LLC

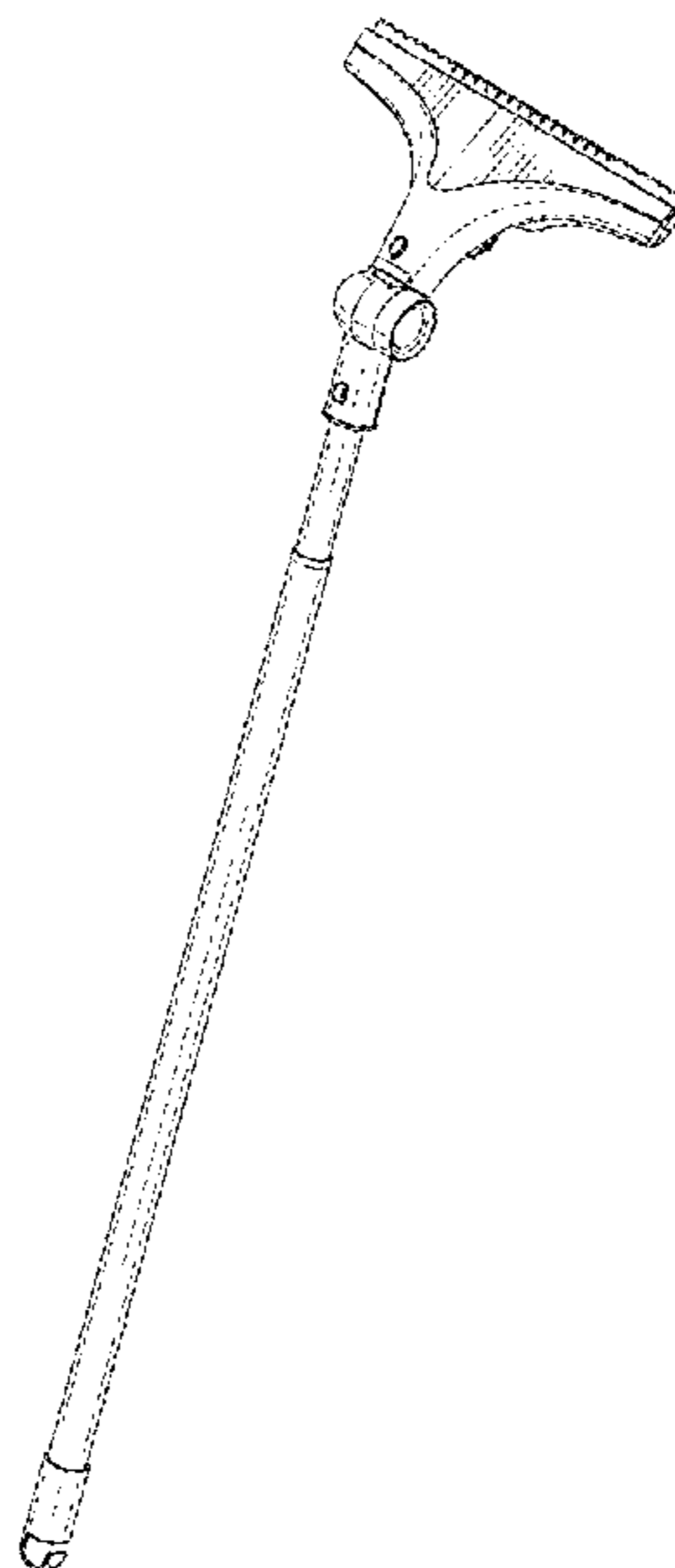
(57) **CLAIM**

The ornamental design for a part of window cleaning appli-  
ance, as shown and described.

**DESCRIPTION**

FIG. 1 is a rear and right side perspective view of a part of  
window cleaning appliance showing my new design;  
FIG. 2 is a rear and left side perspective view thereof;  
FIG. 3 is a front elevational view thereof;  
FIG. 4 is a left side elevational view thereof;  
FIG. 5 is a rear elevational view thereof;  
FIG. 6 is a right side elevational view thereof; and,  
FIG. 7 is a top plan view thereof.

**1 Claim, 7 Drawing Sheets**



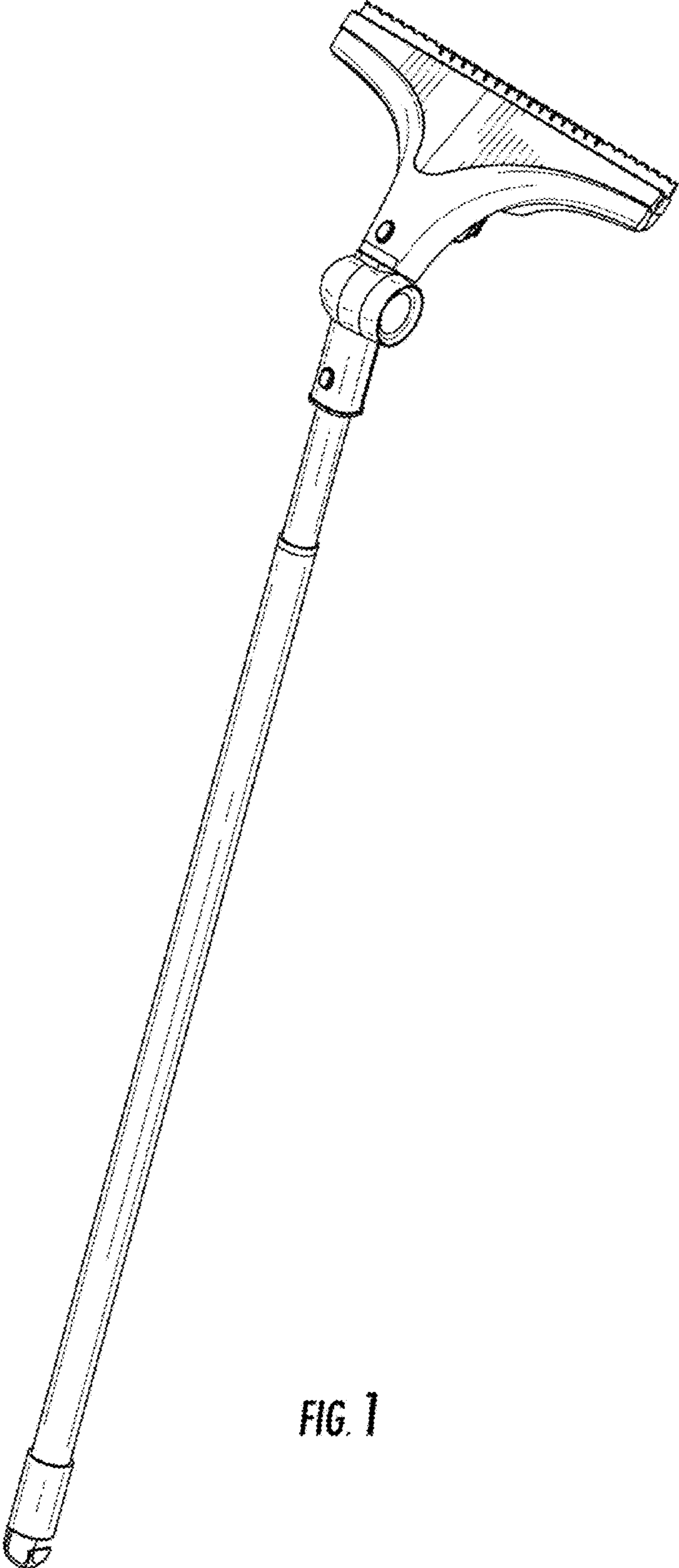


FIG. 1

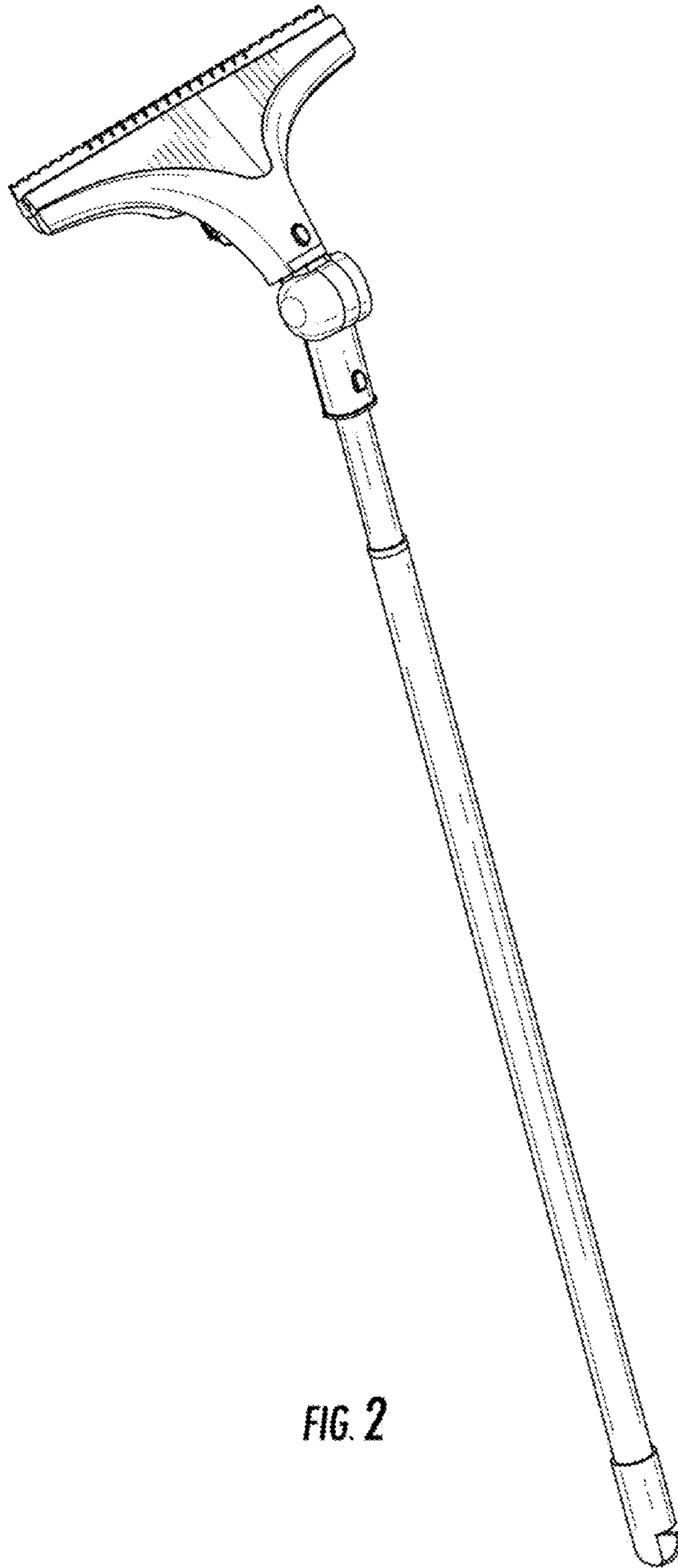


FIG. 2

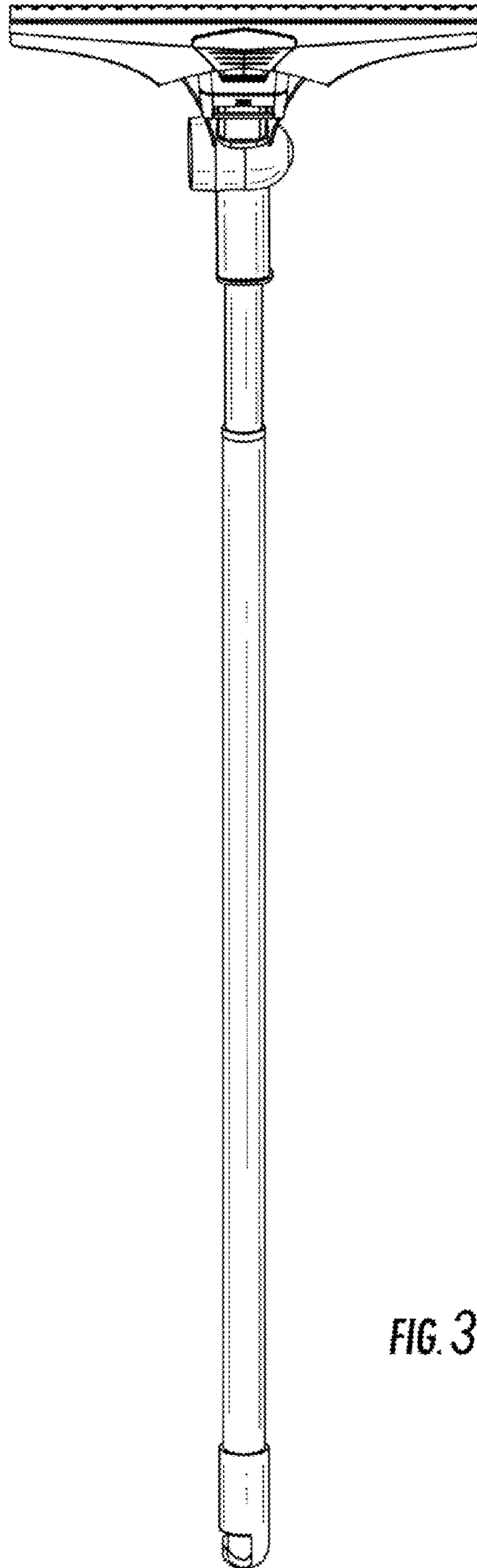


FIG. 3

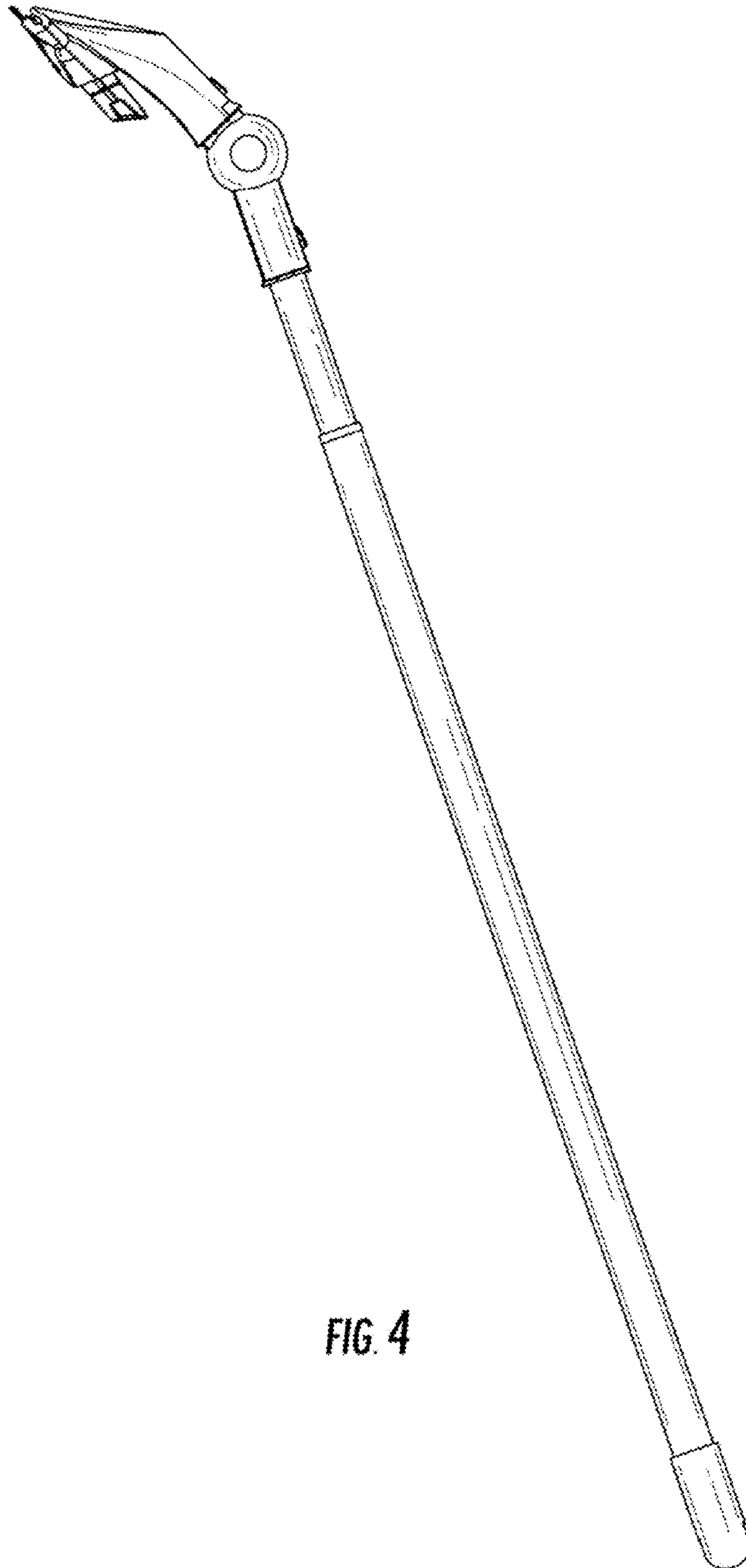


FIG. 4

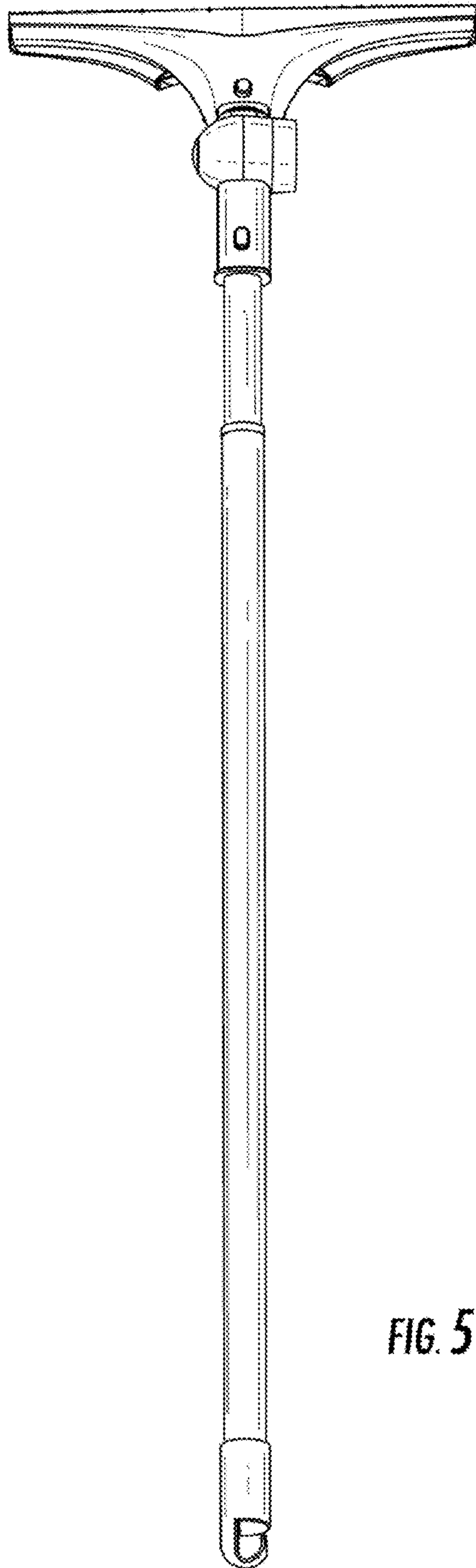


FIG. 5



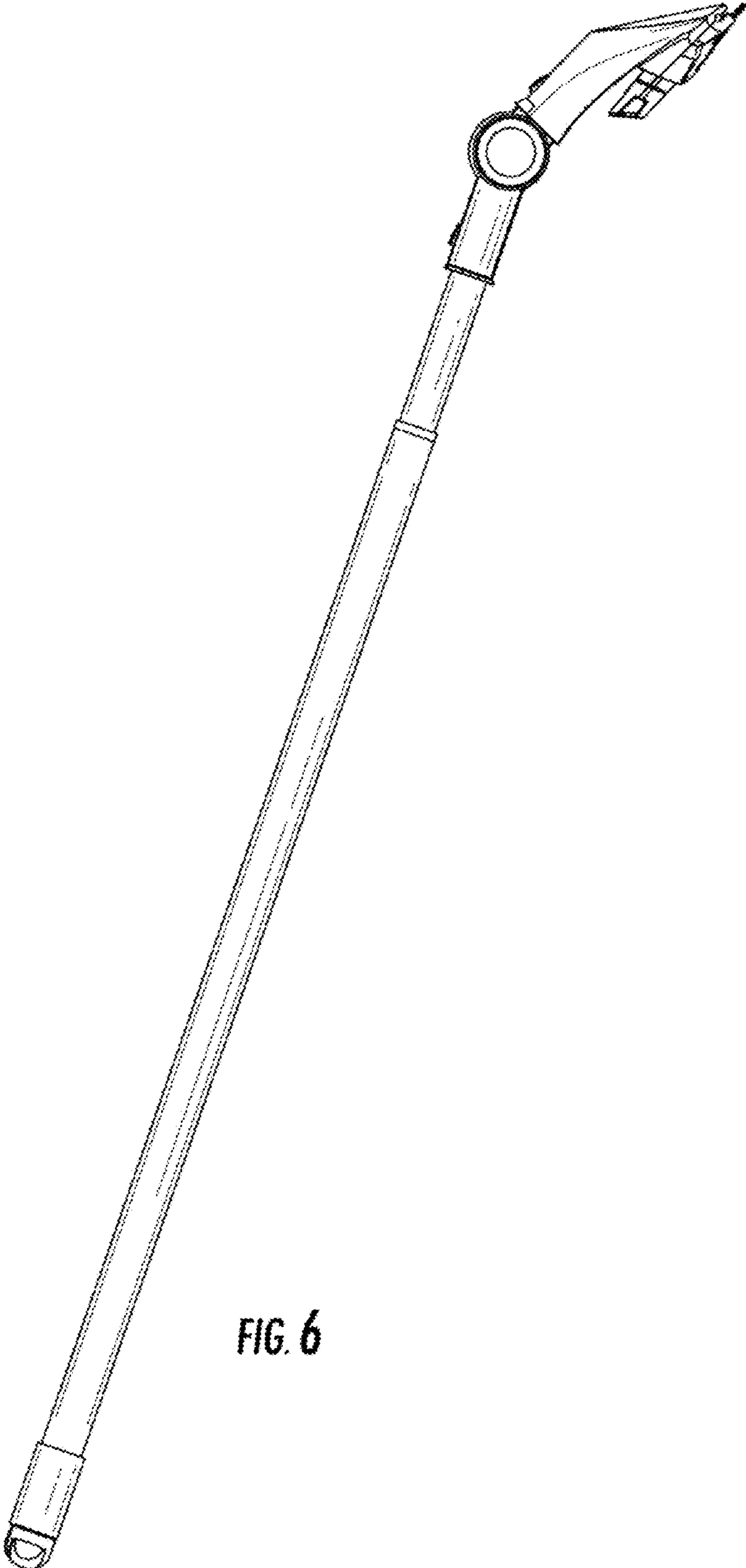


FIG. 6

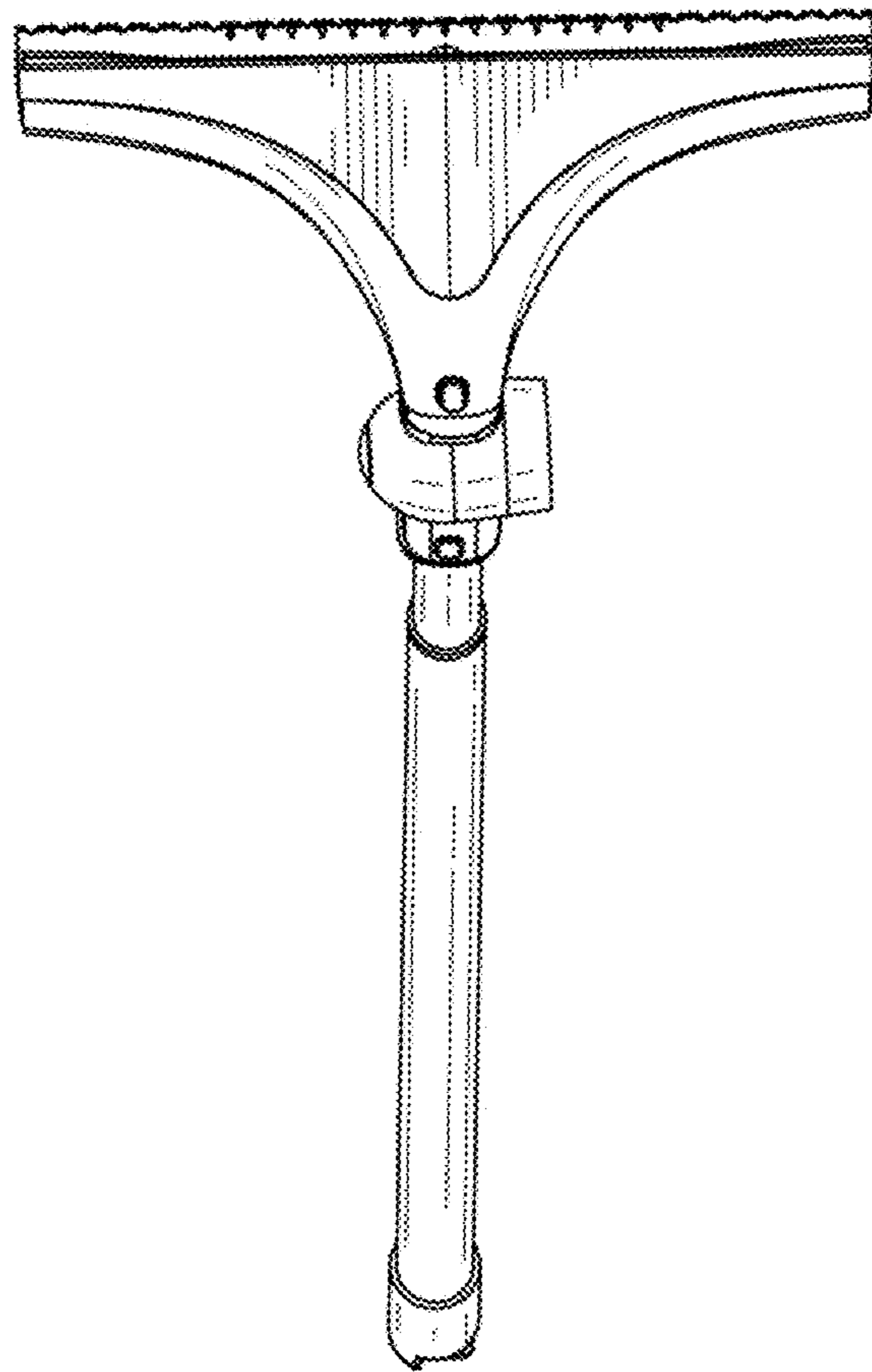


FIG. 7