



US00D703405S

(12) **United States Design Patent**
Meyer

(10) **Patent No.:** **US D703,405 S**

(45) **Date of Patent:** **** Apr. 22, 2014**

(54) **WINDOW CLEANING APPLIANCE**

D640,432 S 6/2011 Jackson
D649,314 S * 11/2011 Quinlan et al. D32/41
D685,550 S * 7/2013 Tronconi et al. D32/40

(71) Applicant: **Alfred Kaercher GmbH & Co. KG**,
Winnenden (DE)

(72) Inventor: **Michael Meyer**, Schwaikheim (DE)

(73) Assignee: **Alfred Kaercher GmbH & Co. KG**,
Winnenden (DE)

(**) Term: **14 Years**

(21) Appl. No.: **29/446,158**

(22) Filed: **Feb. 21, 2013**

(30) **Foreign Application Priority Data**

Aug. 28, 2012 (WO) DM/079 045

(51) **LOC (10) Cl.** **04-01**

(52) **U.S. Cl.**
USPC **D32/41**

(58) **Field of Classification Search**
USPC D32/40, 41, 42, 45; 15/245, 245.1, 121,
15/208, 209.1
See application file for complete search history.

(56) **References Cited**

U.S. PATENT DOCUMENTS

D316,318 S 4/1991 Cheang
D338,090 S 8/1993 Kamiyama
D377,698 S * 1/1997 Schaffer D32/42
5,615,449 A 4/1997 Sepke
D386,852 S 11/1997 Viner
D463,082 S * 9/2002 Harrington D32/46
D468,877 S 1/2003 Burgos
D515,262 S * 2/2006 Hay D32/41
7,674,060 B2 3/2010 Lucero
7,748,074 B2 * 7/2010 Guizzi 15/245
D627,532 S * 11/2010 Yang et al. D32/41
D634,496 S * 3/2011 Porco D32/41

OTHER PUBLICATIONS

Extract from catalog of Alfred Kaercher GmbH & Co. KG,
“Programme 2008”, cover, p. 80 and last page (Dec. 2007).

Extract from catalog of Alfred Kaercher GmbH & Co. KG,
“Programme 2009 Kaercher Residential”, cover, p. 114 and last page
(Mar. 2009).

Extract from catalog of Alfred Kaercher GmbH & Co. KG,
“Programme 2010 Home & Garden”, cover, p. 116 and last page
(Nov. 2009).

Extract from catalog of Alfred Kaercher GmbH & Co. KG,
“Programme 2011 Kaercher Home & Garden”, cover, p. 124 and last
page (Nov. 2010).

Extract from catalog of Alfred Kaercher GmbH & Co. KG,
“Programme 2012 Kaercher Home & Garden”, cover, p. 107 and last
page (Oct. 2011).

Extract from catalog of Alfred Kaercher GmbH & Co. KG,
“Programme 2013 Kaercher Home & Garden”, cover, pp. 103-104
and last page (Oct. 2012).

* cited by examiner

Primary Examiner — Robin V Webster

(74) *Attorney, Agent, or Firm* — Lipsitz & McAllister, LLC

(57) **CLAIM**

The ornamental design for a window cleaning appliance, as
shown and described.

DESCRIPTION

FIG. 1 is a front and left side perspective view of a window
cleaning appliance showing my new design;

FIG. 2 is a rear and left side perspective view thereof;

FIG. 3 is a front elevational view thereof;

FIG. 4 is a left side elevational view thereof;

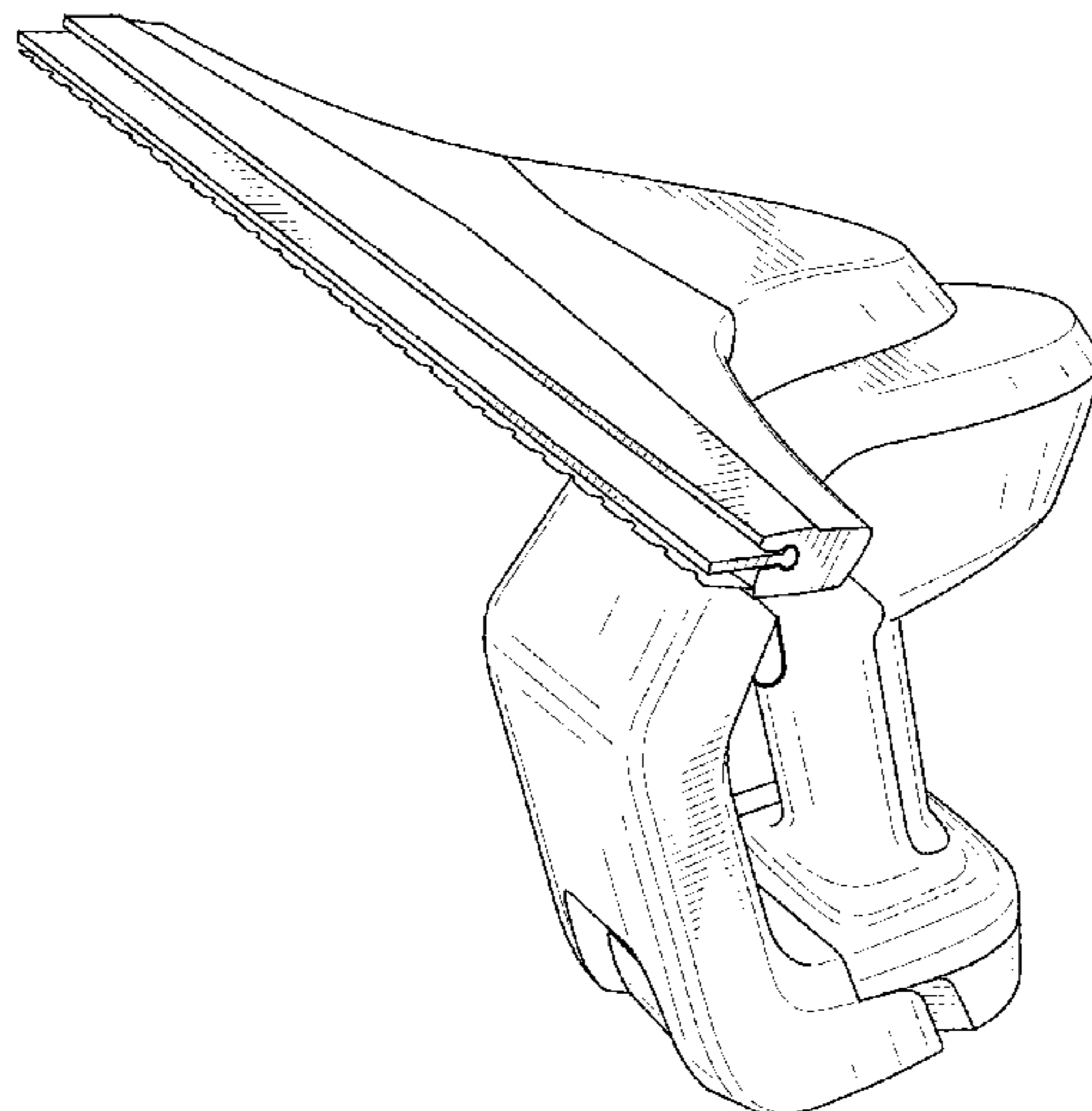
FIG. 5 is a rear elevational view thereof;

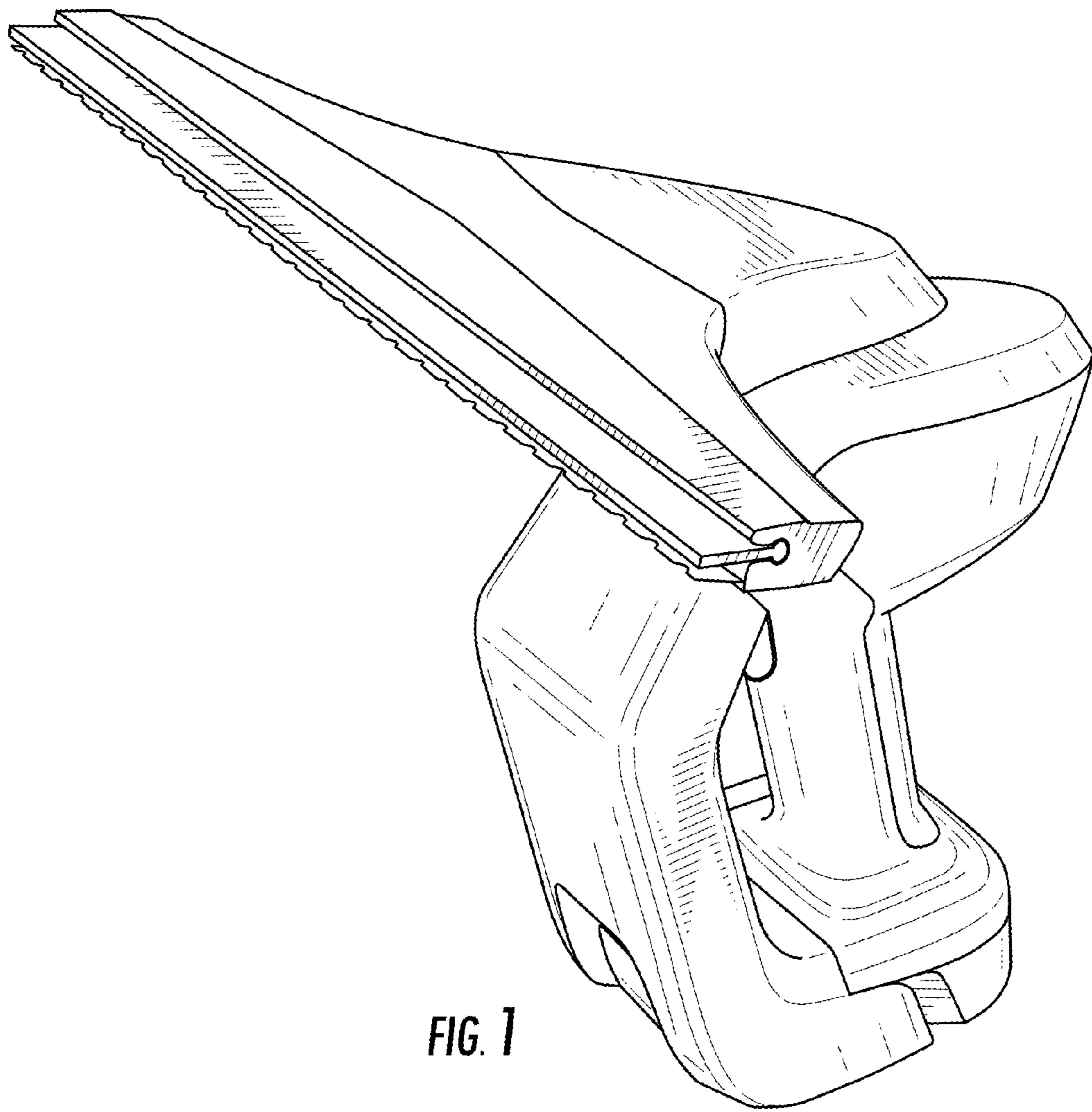
FIG. 6 is a right side elevational view thereof;

FIG. 7 is a top plan view thereof; and,

FIG. 8 is a bottom plan view thereof.

1 Claim, 8 Drawing Sheets





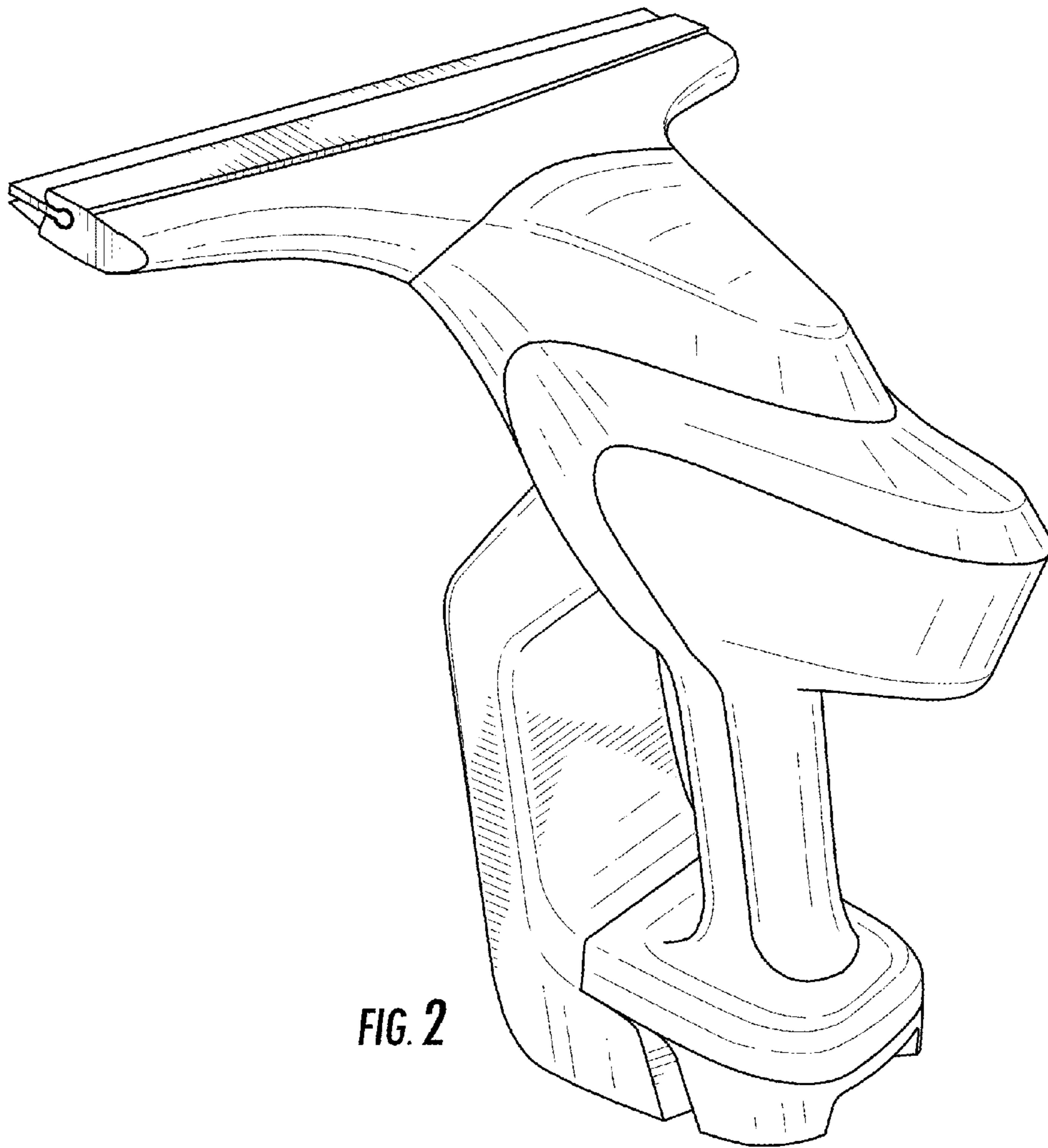


FIG. 2

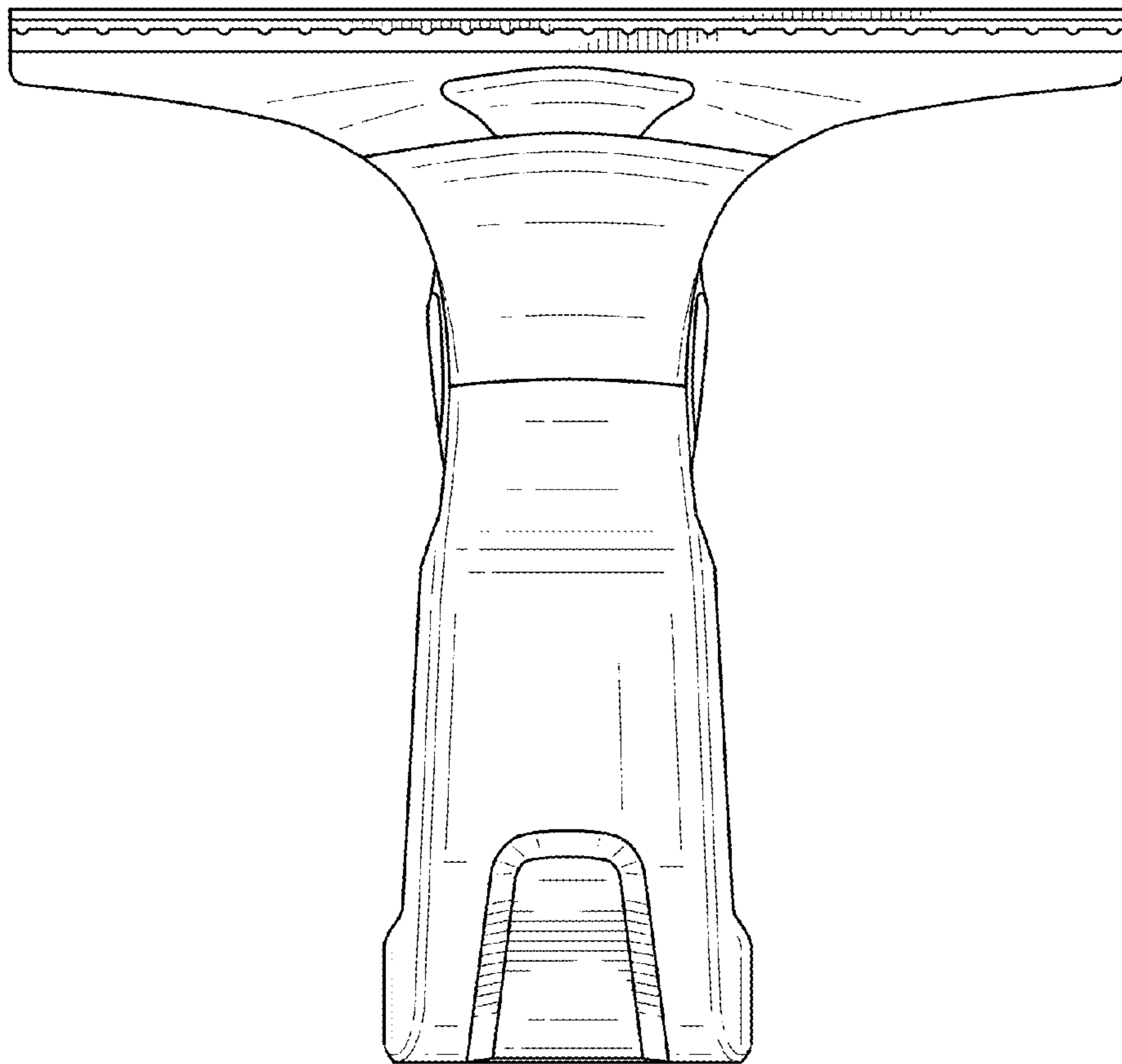


FIG. 3

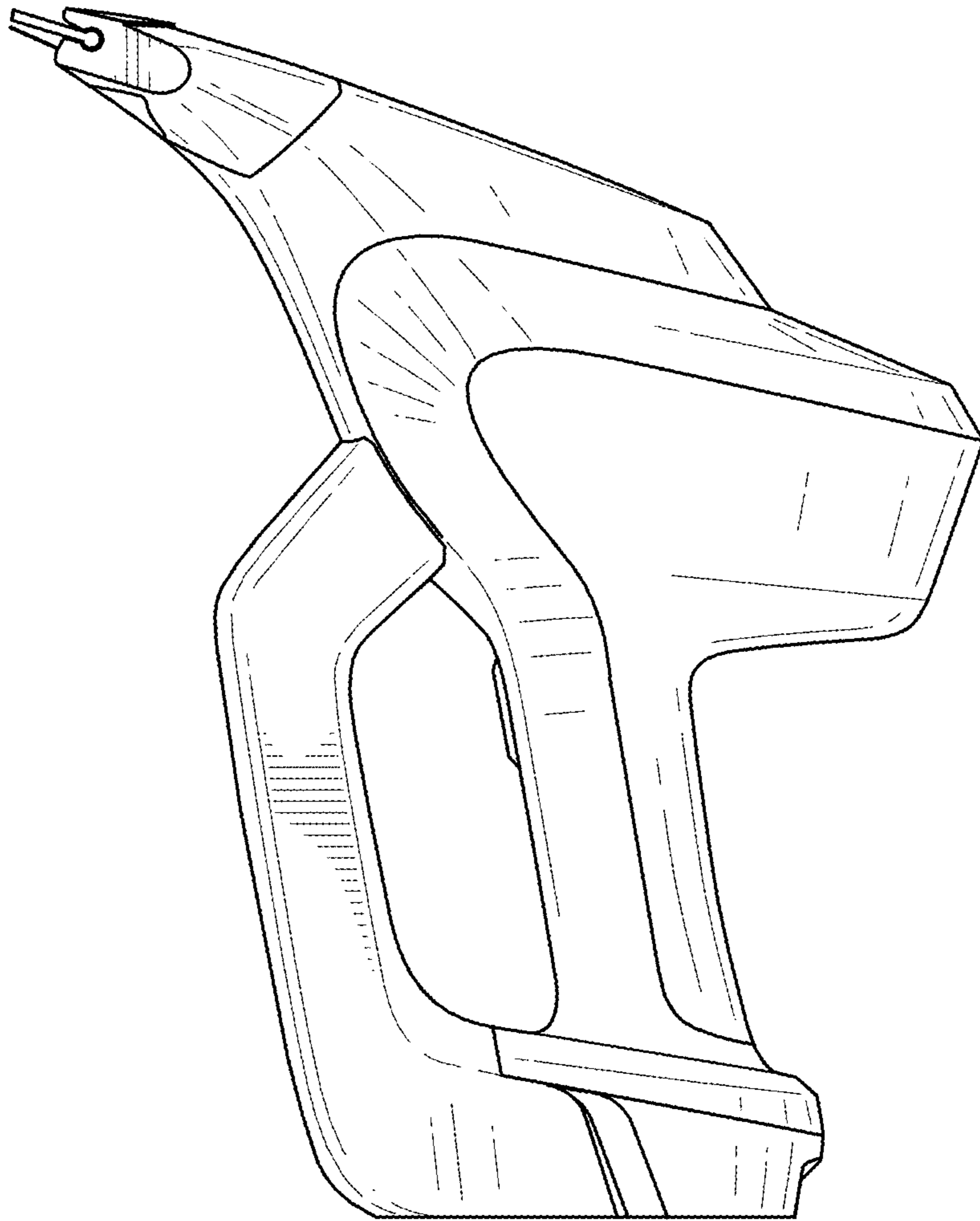


FIG. 4

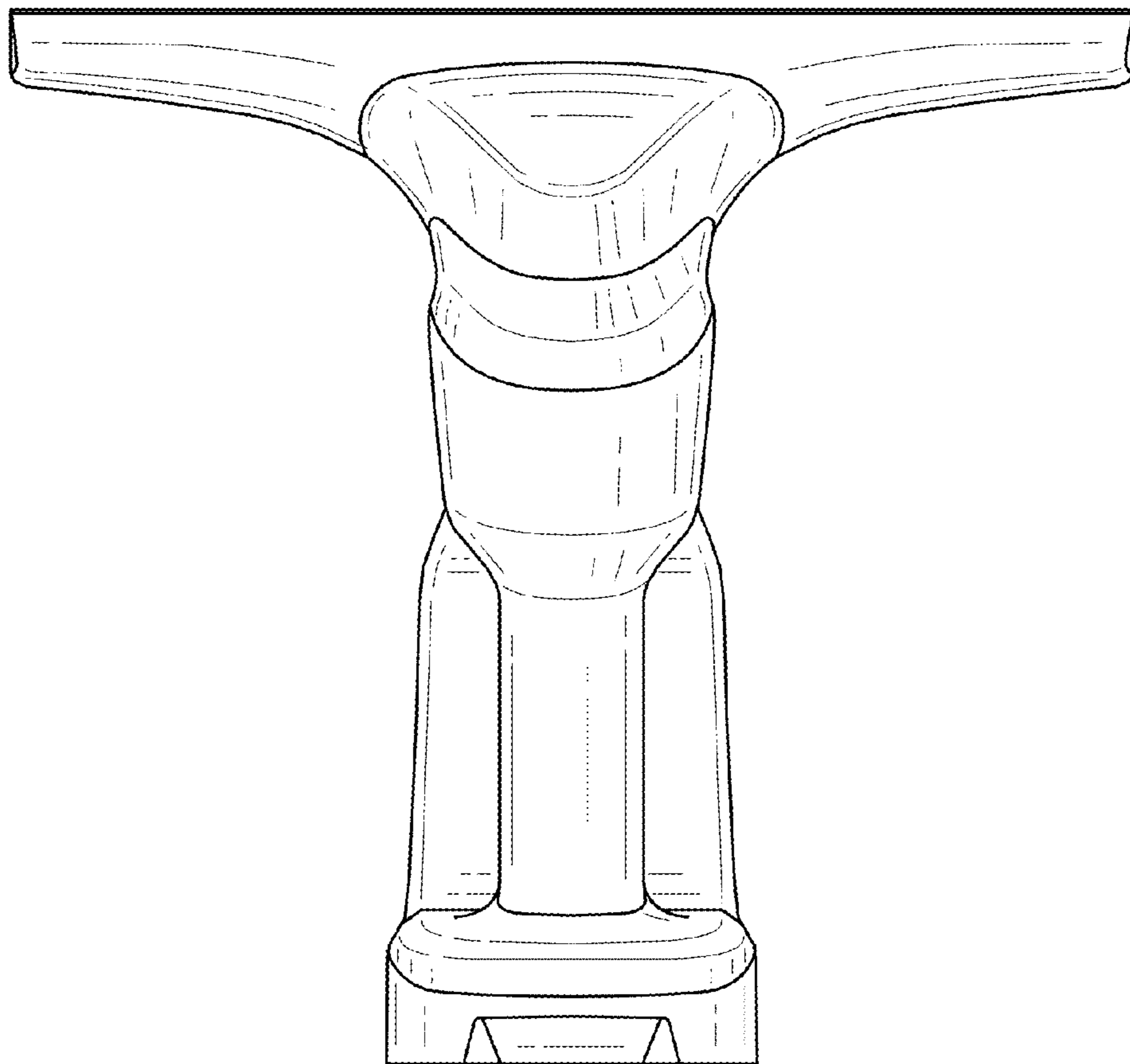


FIG. 5

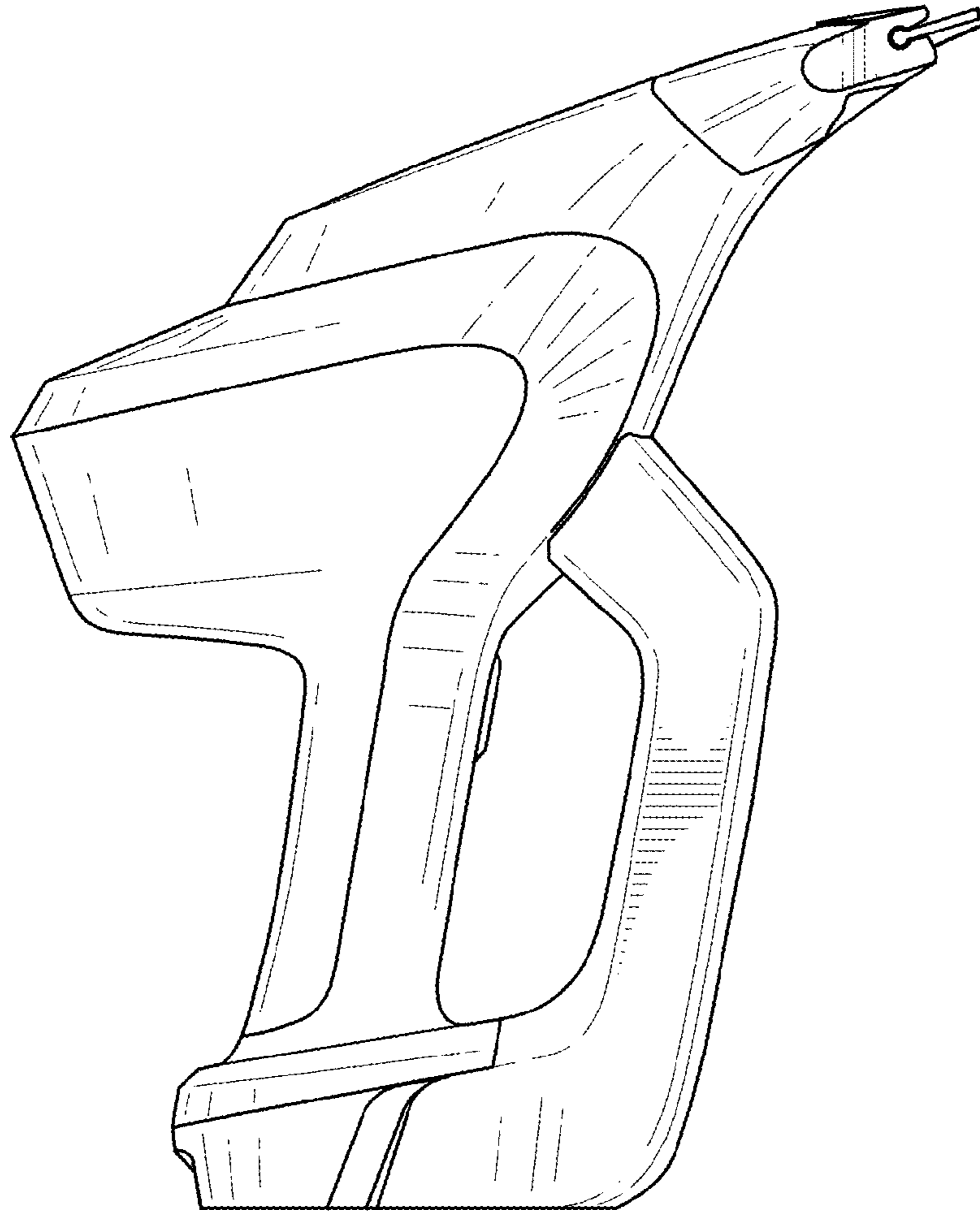


FIG. 6

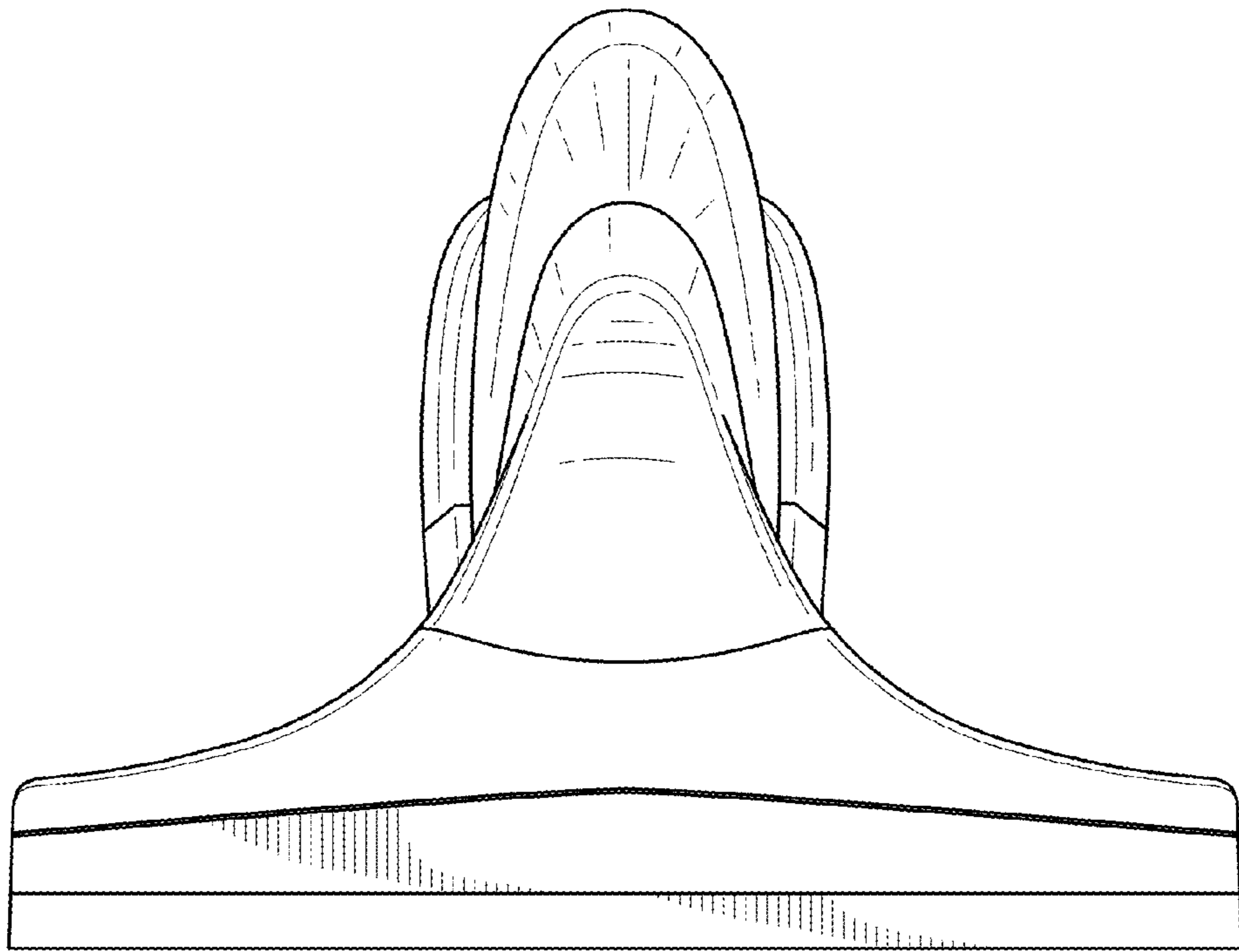


FIG. 7

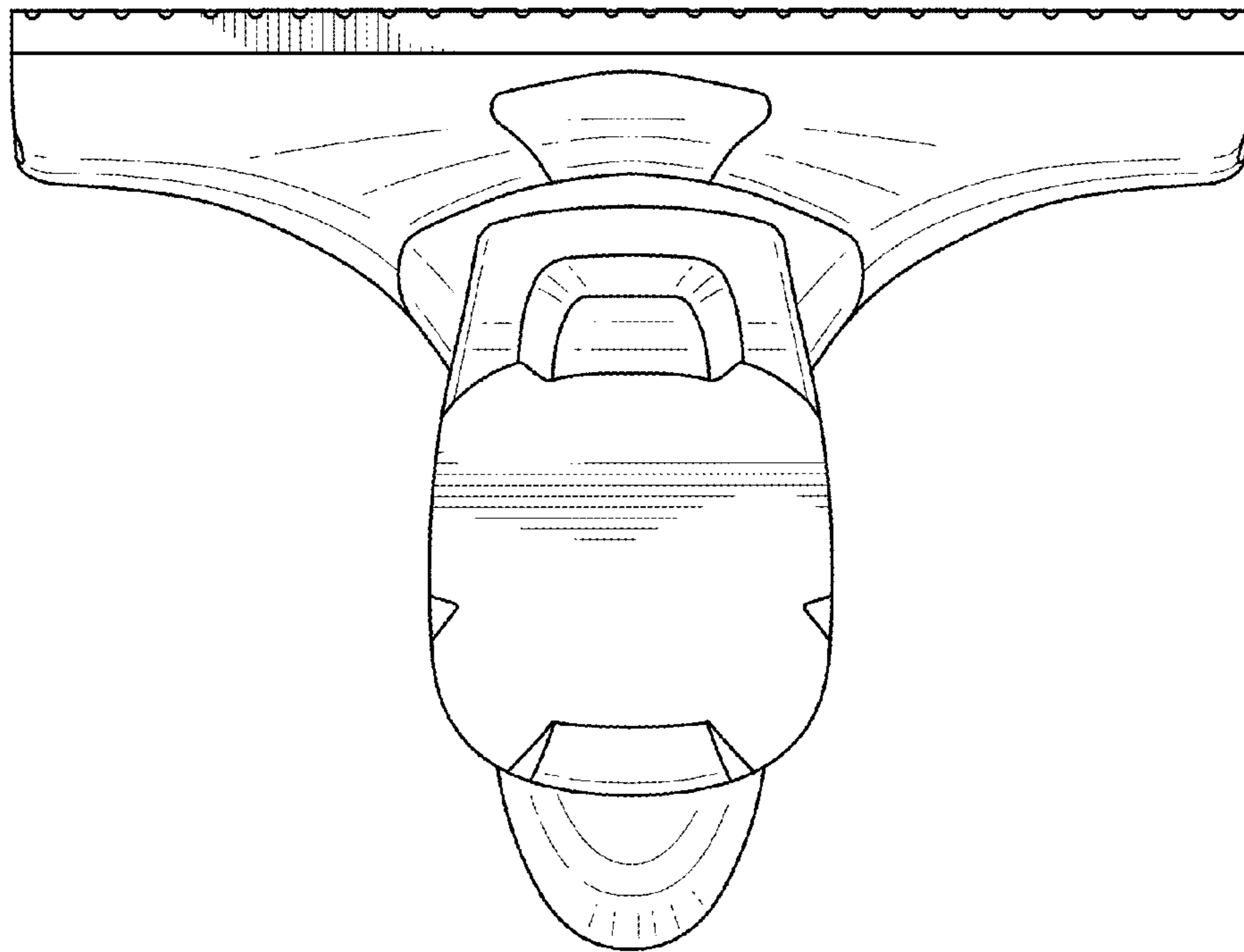


FIG. 8