



US00D703403S

(12) **United States Design Patent**  
**Dey et al.**

(10) **Patent No.:** **US D703,403 S**  
(45) **Date of Patent:** **\*\* Apr. 22, 2014**

- (54) **LAUNDRY CADDY**
- (71) Applicants: **John Dey**, El Cerrito, CA (US); **Jacob Gano**, El Sabrante, CA (US)
- (72) Inventors: **John Dey**, El Cerrito, CA (US); **Jacob Gano**, El Sabrante, CA (US)
- (\*\*) Term: **14 Years**
- (21) Appl. No.: **29/464,239**
- (22) Filed: **Aug. 14, 2013**
- (51) **LOC (10) Cl.** ..... **08-99**
- (52) **U.S. Cl.**  
USPC ..... **D32/35**
- (58) **Field of Classification Search**  
USPC ..... D32/35, 37, 53; D3/201, 302, 304, 305, D3/306, 307, 308, 309, 312, 314; D7/300, D7/312, 315, 317, 318, 397, 401.1, 505, D7/509, 533, 538, 541, 543, 549, 555, 590, D7/600, 600.4, 601, 602, 608, 615, 701, D7/703; D9/420, 423, 501, 503, 517, 633, D9/721, 738, 742, 772; D34/5, 6, 11; 206/292, 299; 220/23.88, 284, 752, 220/760, 767, 768, 769, 770, 771, 780, 781, 220/782, 783  
See application file for complete search history.

|           |      |         |                    |       |           |
|-----------|------|---------|--------------------|-------|-----------|
| 1,362,713 | A *  | 12/1920 | McColl             | ..... | 220/770   |
| 2,469,034 | A *  | 5/1949  | Garris             | ..... | 220/532   |
| 3,804,289 | A *  | 4/1974  | Churan             | ..... | 220/782   |
| 4,219,136 | A    | 8/1980  | Williams et al.    |       |           |
| 4,399,926 | A *  | 8/1983  | Eidels-Dubovoy     | ..... | 220/284   |
| D279,621  | S *  | 7/1985  | Richer             | ..... | D3/302    |
| 4,678,103 | A    | 7/1987  | Dirksing           |       |           |
| 4,835,804 | A    | 6/1989  | Arnau-Munoz et al. |       |           |
| 4,874,107 | A    | 10/1989 | Arnau-Munoz et al. |       |           |
| D367,408  | S *  | 2/1996  | Fordyce            | ..... | D7/703    |
| D381,259  | S *  | 7/1997  | Hayes              | ..... | D9/503    |
| 6,472,360 | B1   | 10/2002 | Beggs et al.       |       |           |
| 7,594,594 | B2   | 9/2009  | Troost et al.      |       |           |
| D641,594  | S *  | 7/2011  | Huang              | ..... | D7/629    |
| 7,988,005 | B2 * | 8/2011  | Wagner             | ..... | 220/23.88 |
| D660,084  | S *  | 5/2012  | Gilbert            | ..... | D7/538    |

\* cited by examiner

*Primary Examiner* — Deanna L Pratt  
*Assistant Examiner* — Natasha Vujcic  
(74) *Attorney, Agent, or Firm* — Buckingham, Doolittle & Burroughs, LLC

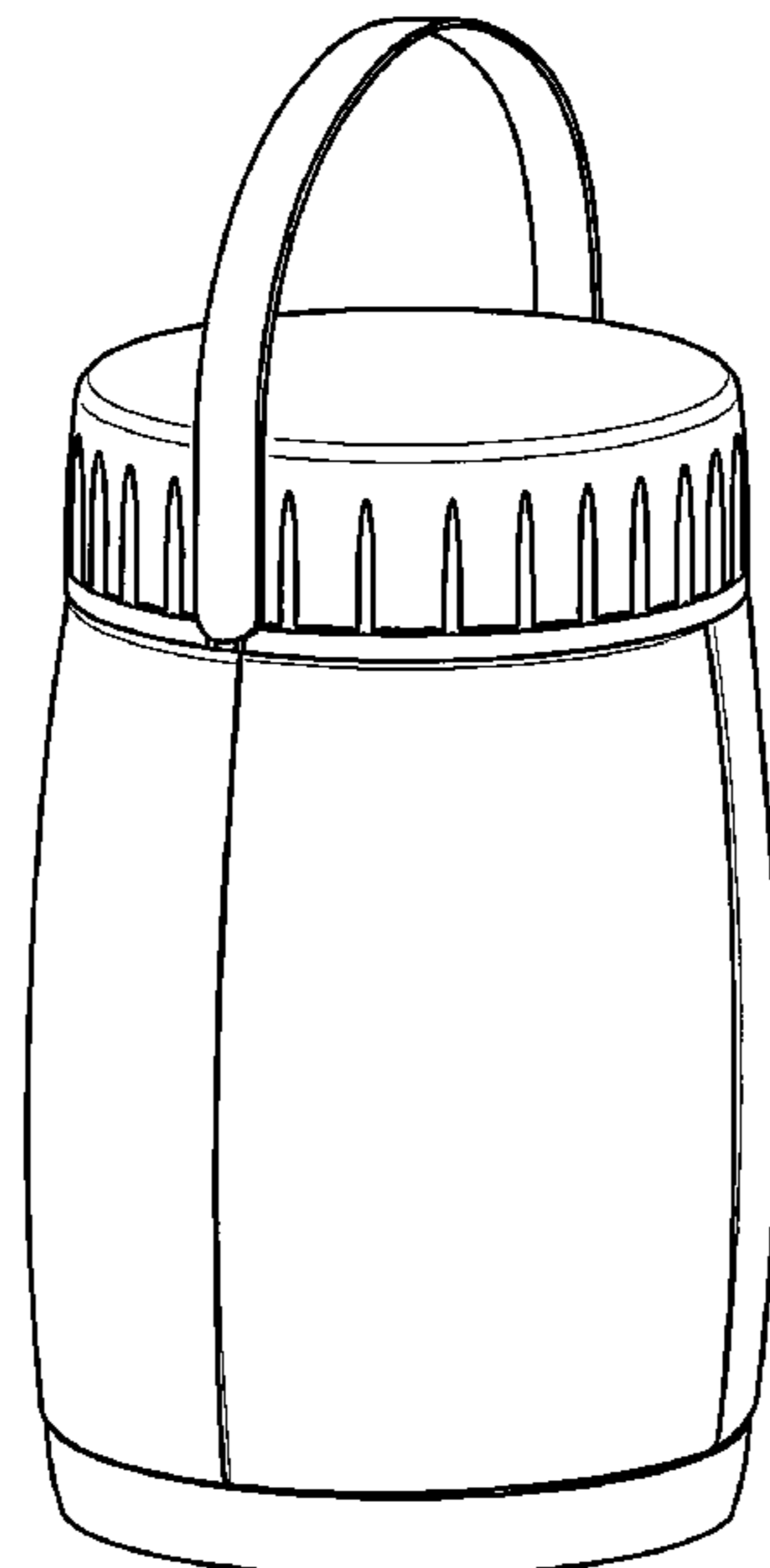
(57) **CLAIM**  
We claim the ornamental design for a laundry caddy, as shown and described.

**DESCRIPTION**

FIG. 1 is a perspective view of the laundry caddy; FIG. 2 is a left side elevational view thereof; FIG. 3 is a right side elevational view thereof; FIG. 4 is a top view thereof; FIG. 5 is a bottom view thereof; and, FIG. 6 is a partially exploded perspective view of the laundry caddy of FIG. 1 wherein the lid on one of the quarter portions is in the open position.

**1 Claim, 4 Drawing Sheets**

- (56) **References Cited**  
U.S. PATENT DOCUMENTS  
64,705 A \* 5/1867 Randol ..... 220/780  
D4,837 S \* 4/1871 Bockee ..... D32/53  
249,371 A \* 11/1881 Knapp ..... 220/767  
1,134,427 A \* 4/1915 Ullrich ..... 220/780



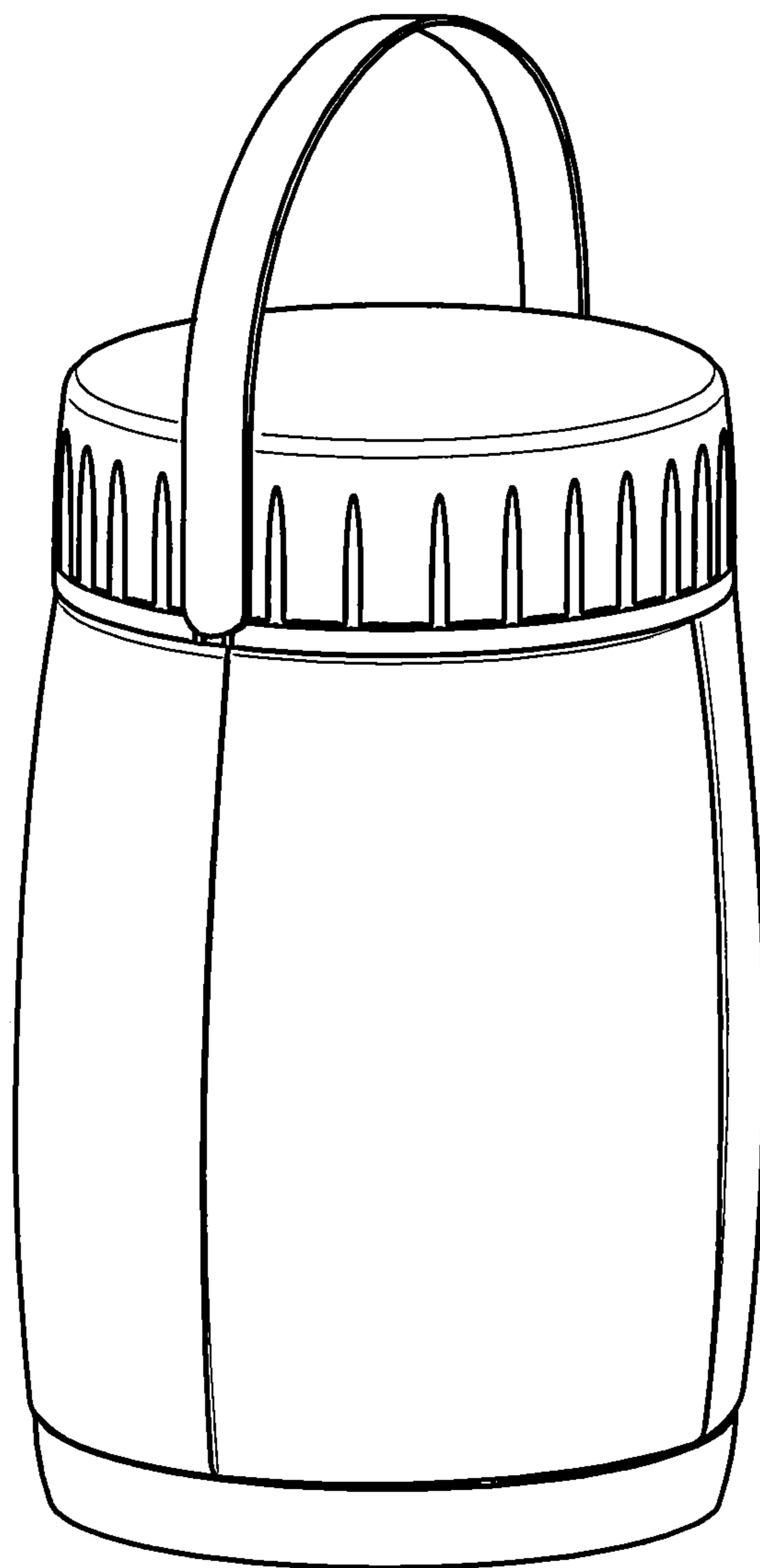


FIG. 1

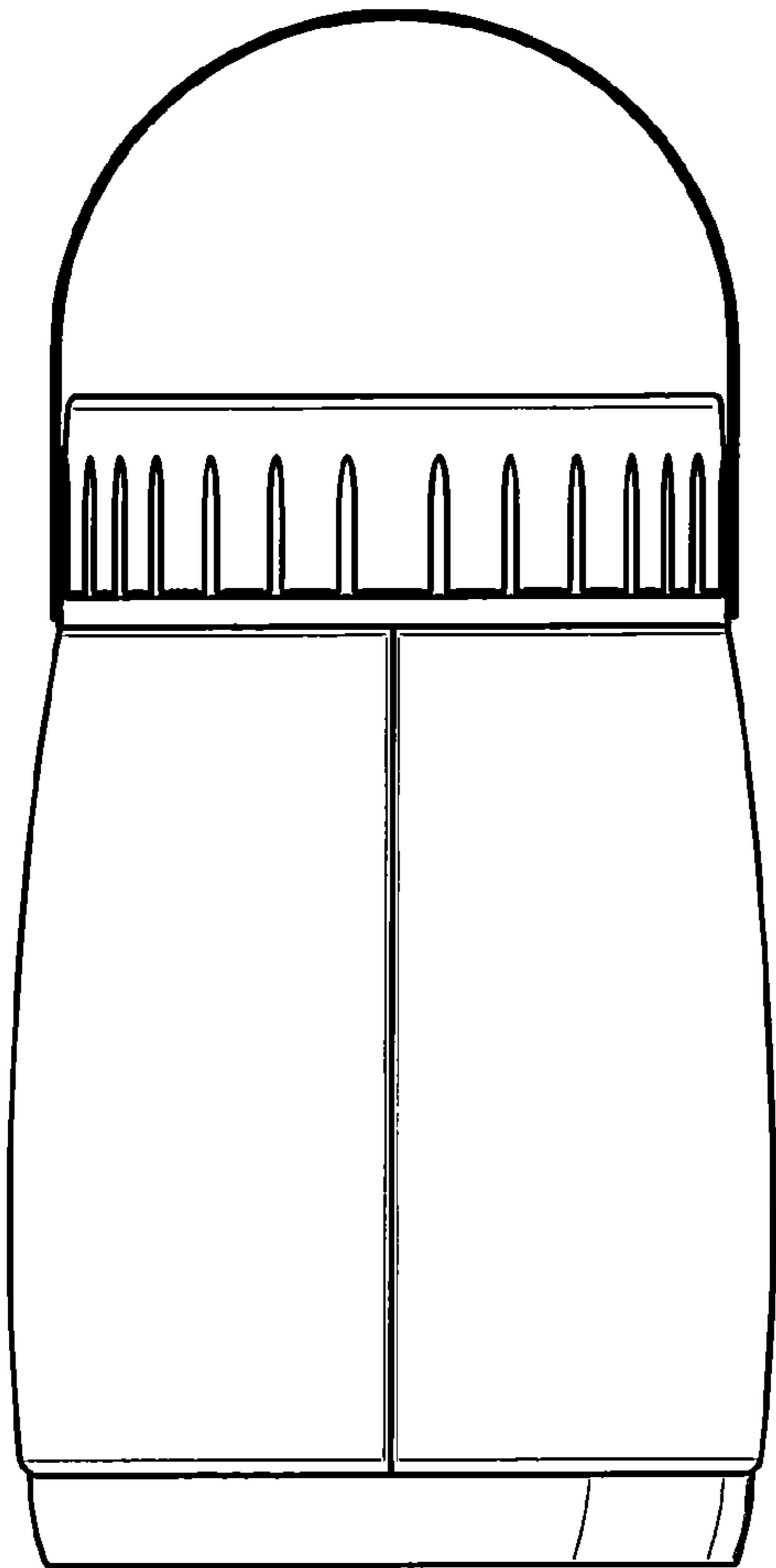


FIG. 2

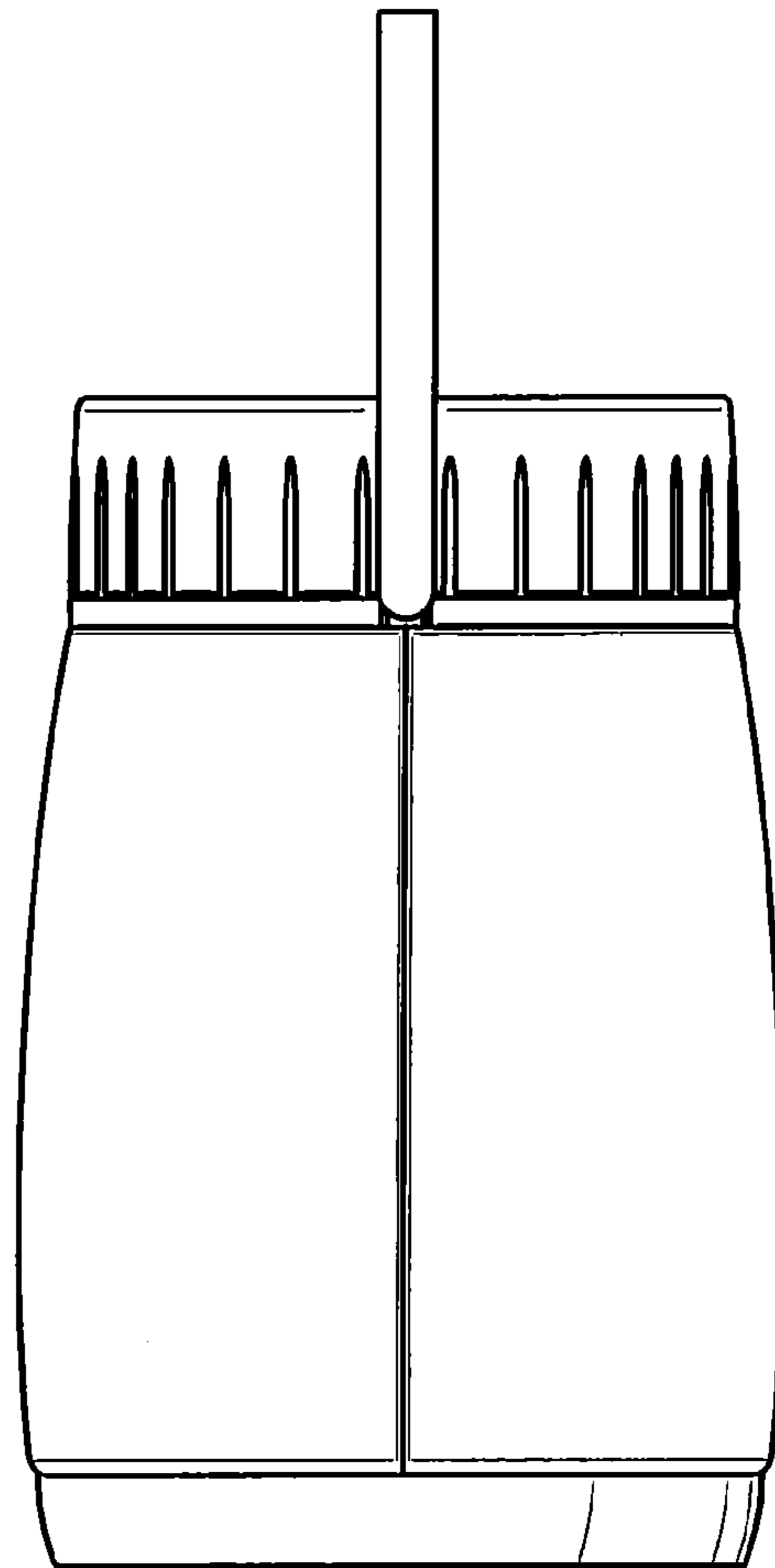


FIG. 3

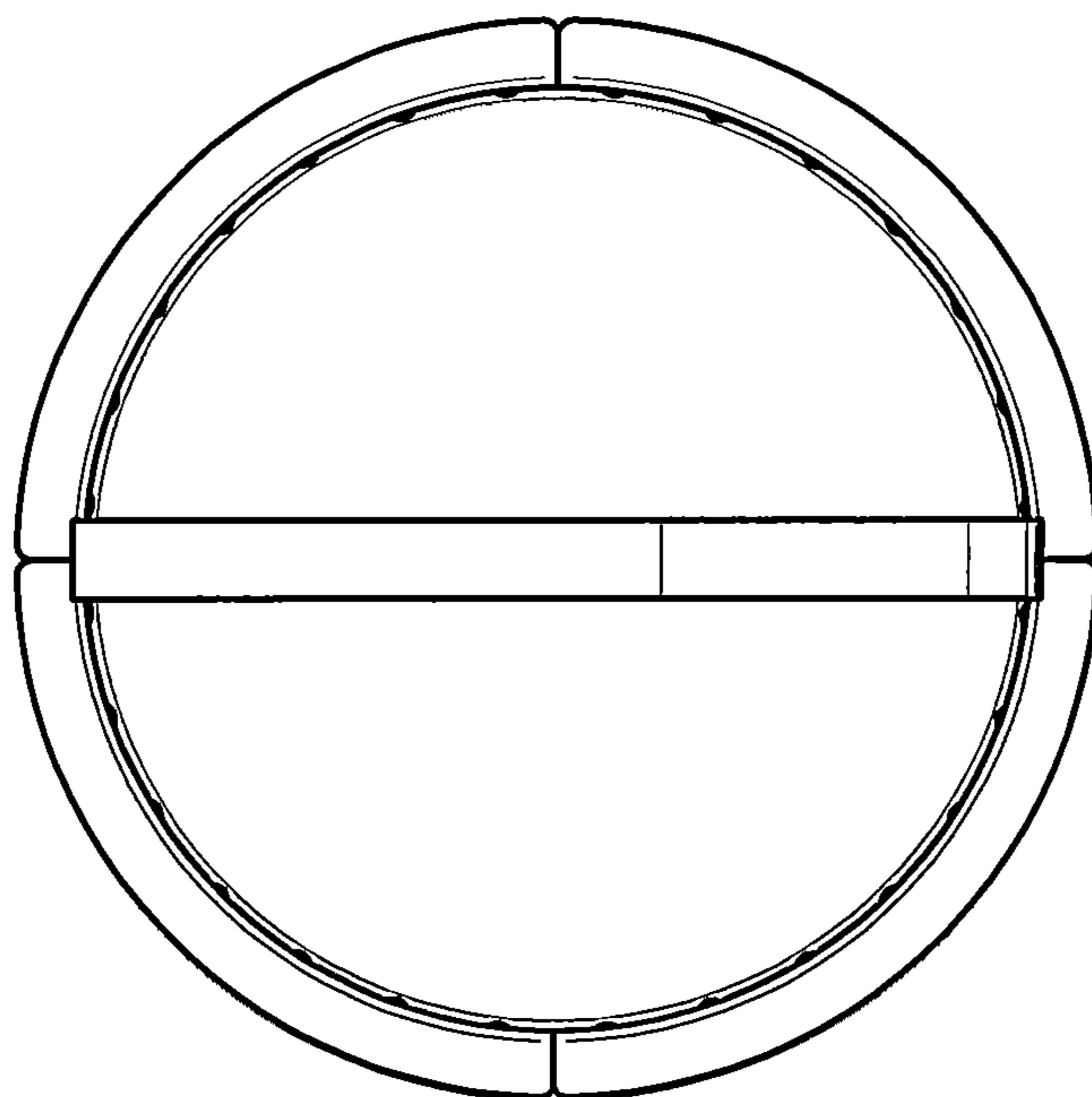


FIG. 4

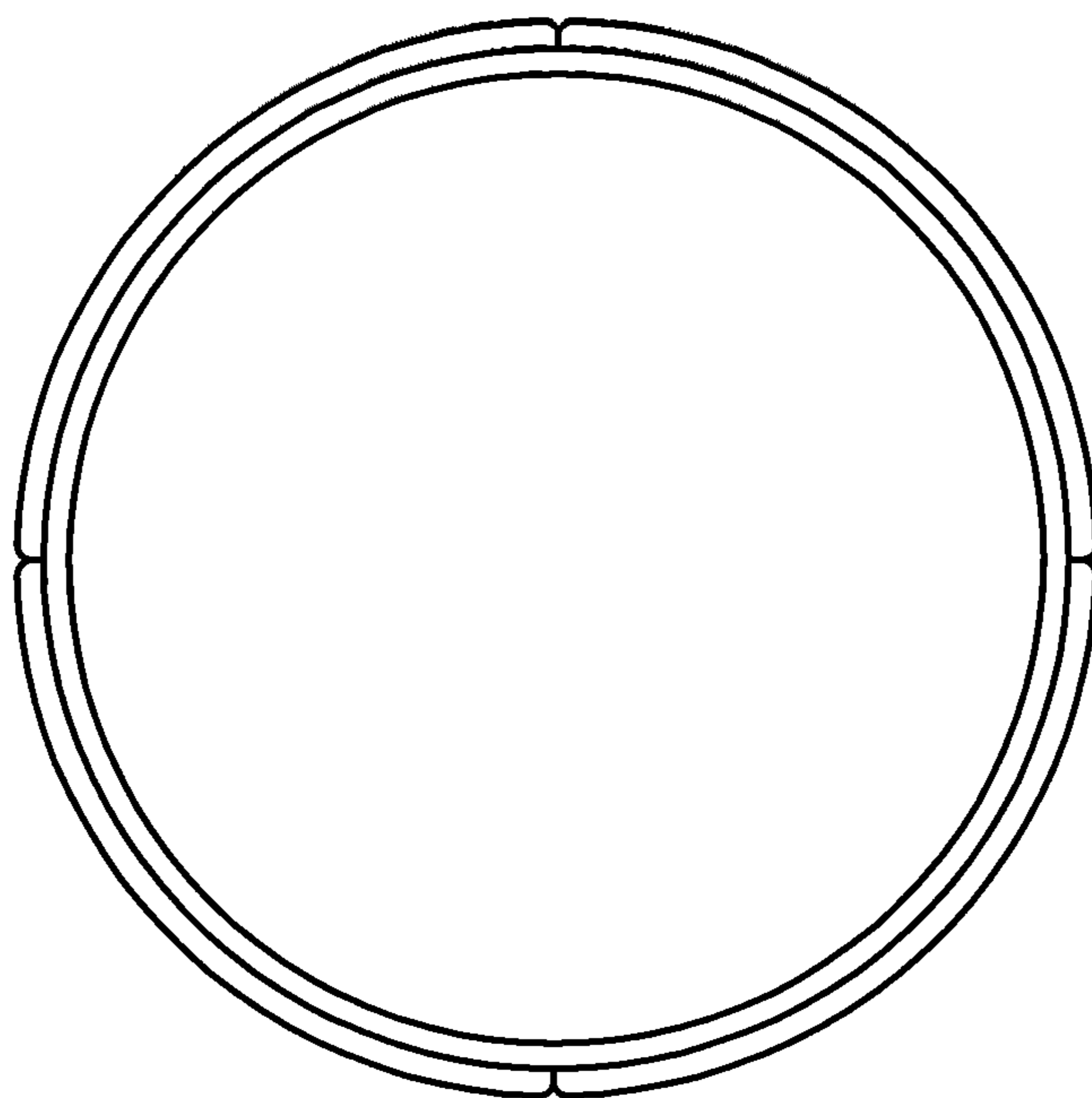


FIG. 5

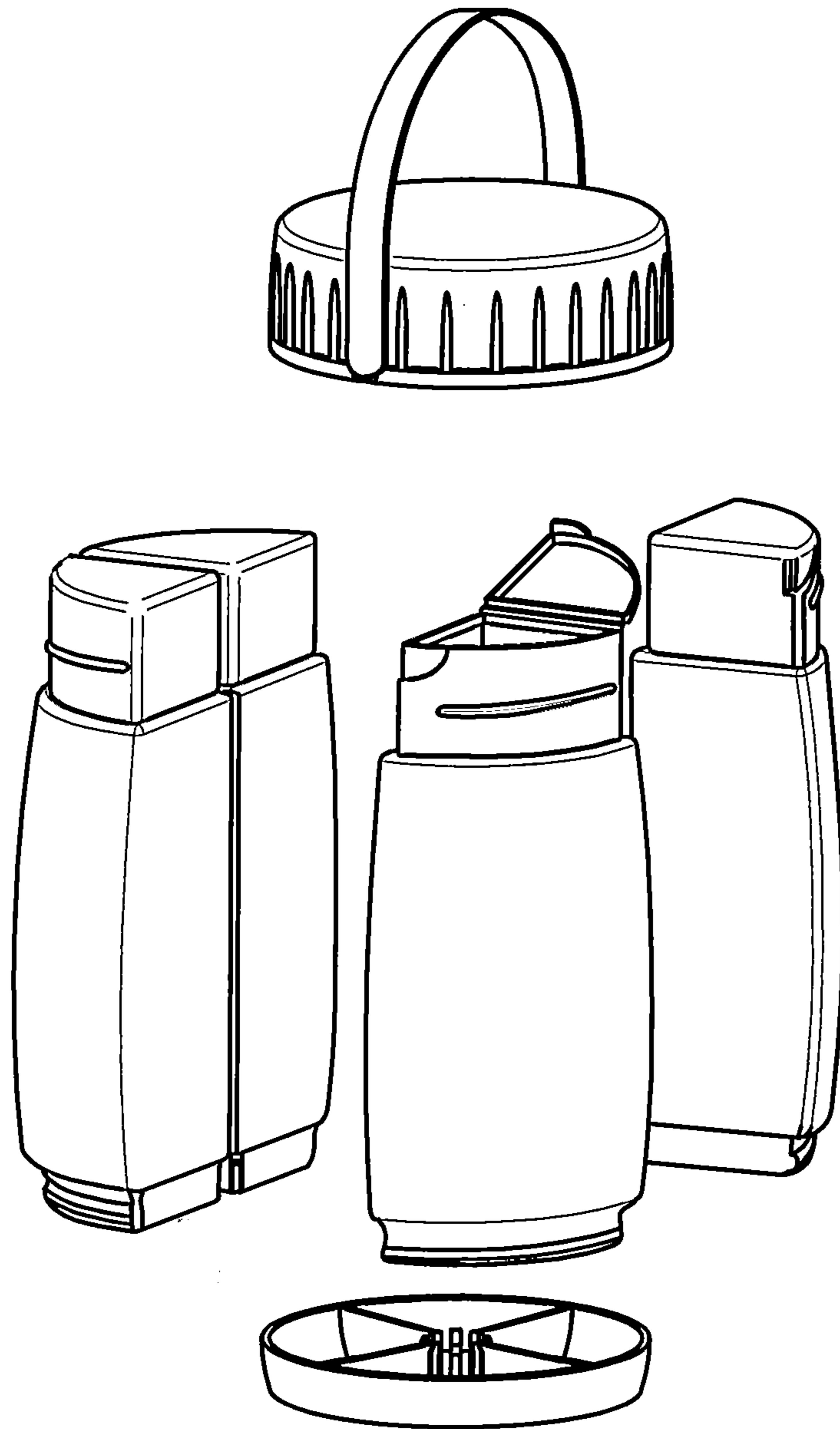


FIG. 6