



US00D703402S

(12) **United States Design Patent**
Thorne

(10) **Patent No.:** **US D703,402 S**

(45) **Date of Patent:** **** Apr. 22, 2014**

(54) **VACUUM ATTACHMENT FOR A CLEANING APPARATUS**

(71) Applicant: **Euro-Pro Operating LLC**, Newton, MA (US)

(72) Inventor: **Jason Boyd Thorne**, Tai Po (HK)

(73) Assignee: **Euro-Pro Operating LLC**, Newton, MA (US)

(**) Term: **14 Years**

(21) Appl. No.: **29/449,123**

(22) Filed: **Mar. 14, 2013**

(51) **LOC (10) Cl.** **15-05**

(52) **U.S. Cl.**
USPC **D32/32**

(58) **Field of Classification Search**
USPC D32/17, 22, 31-33, 50; 15/415.1-422, 15/1, 400, 414, 328, 329, 320, 22, 353, 15/361, 410, 383, 363, 327.1, 405, 246.2, 15/246.3, 4, 412, 396-399, 393, 98; 285/7
See application file for complete search history.

(56) **References Cited**

U.S. PATENT DOCUMENTS

D486,279 S * 2/2004 Chen D32/17
D524,498 S * 7/2006 Luebbering et al. D32/32

D619,315 S * 7/2010 Ayers D32/32
D655,468 S * 3/2012 Karsan D32/33
2010/0236018 A1 * 9/2010 Vrdoljak et al. 15/412
2010/0287716 A1 * 11/2010 Kasper et al. 15/4
2013/0232719 A1 * 9/2013 Luedke et al. 15/320

* cited by examiner

Primary Examiner — Ruth McInroy

(74) *Attorney, Agent, or Firm* — Wolf, Greenfield & Sacks, P.C.

(57) **CLAIM**

We claim the ornamental design for a vacuum attachment for a cleaning apparatus, as shown and described.

DESCRIPTION

FIG. 1 is a top, front, right side perspective view of a vacuum attachment for a cleaning apparatus in accordance with the present design;

FIG. 2 is a top plan view thereof;

FIG. 3 is a bottom plan view thereof;

FIG. 4 is a right side elevational view thereof;

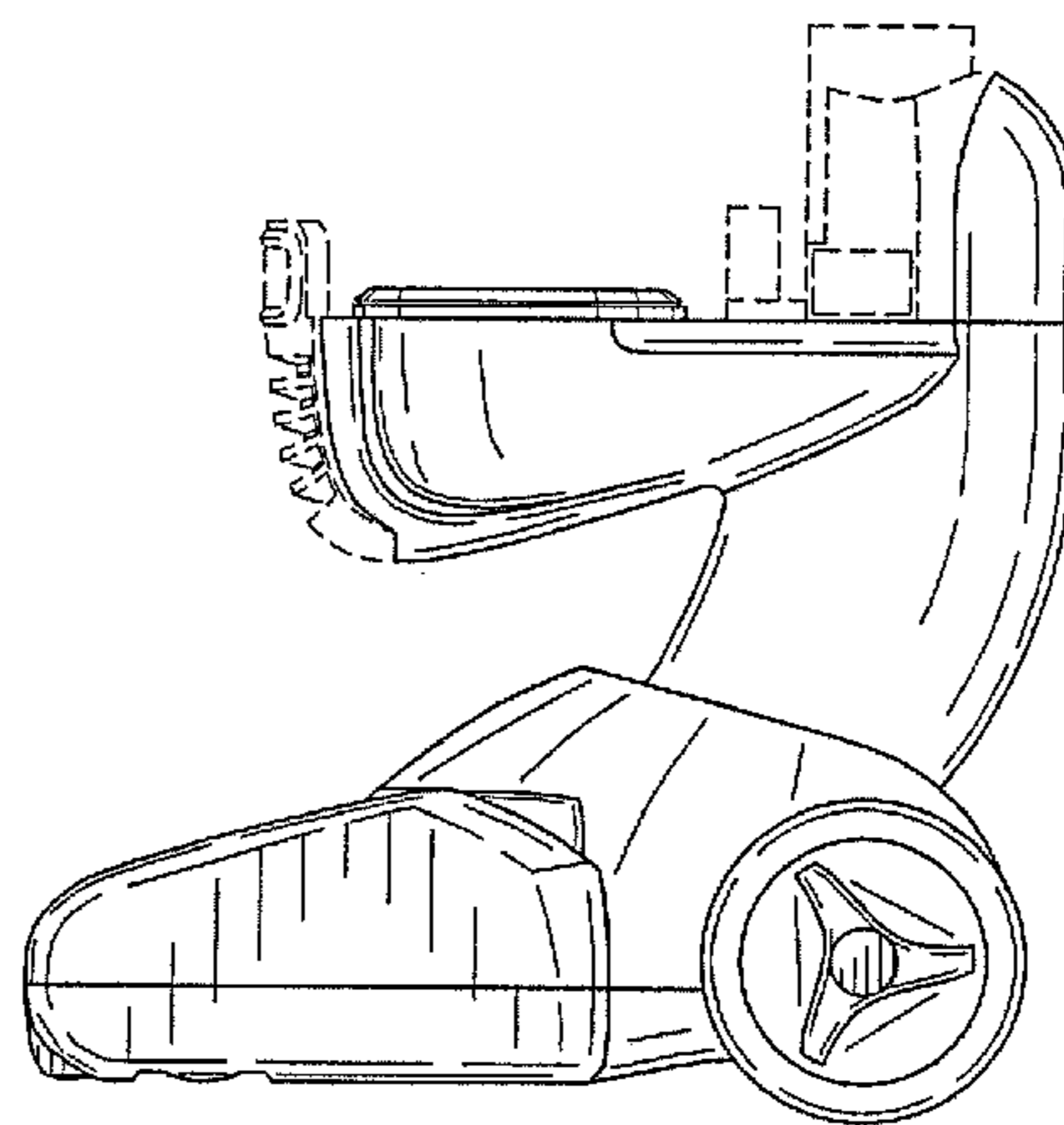
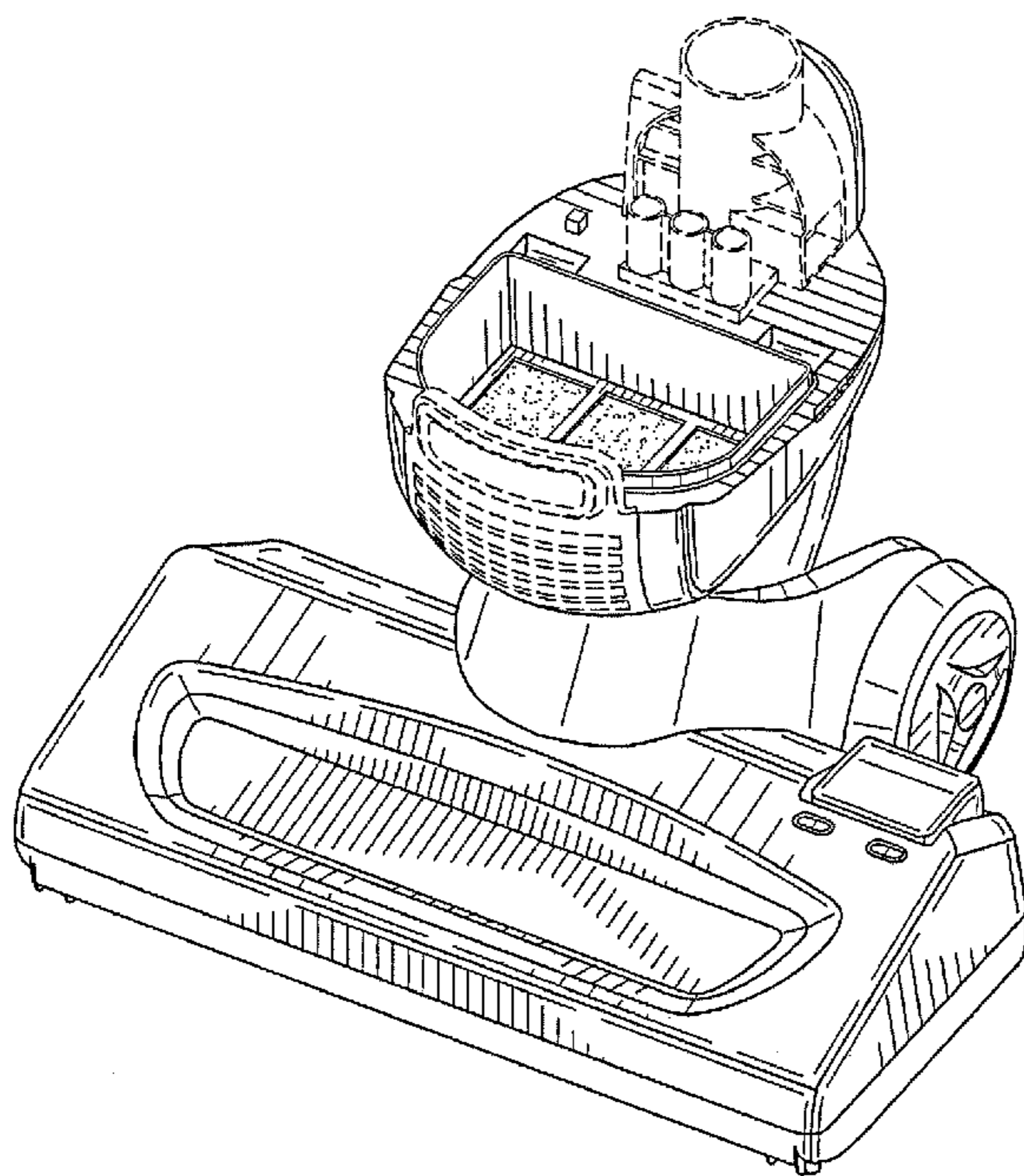
FIG. 5 is a left side elevational view thereof;

FIG. 6 is a front plan view thereof; and,

FIG. 7 is a rear plan view thereof.

The broken lines in the figures illustrate portions of the vacuum attachment that form no part of the claimed design.

1 Claim, 3 Drawing Sheets



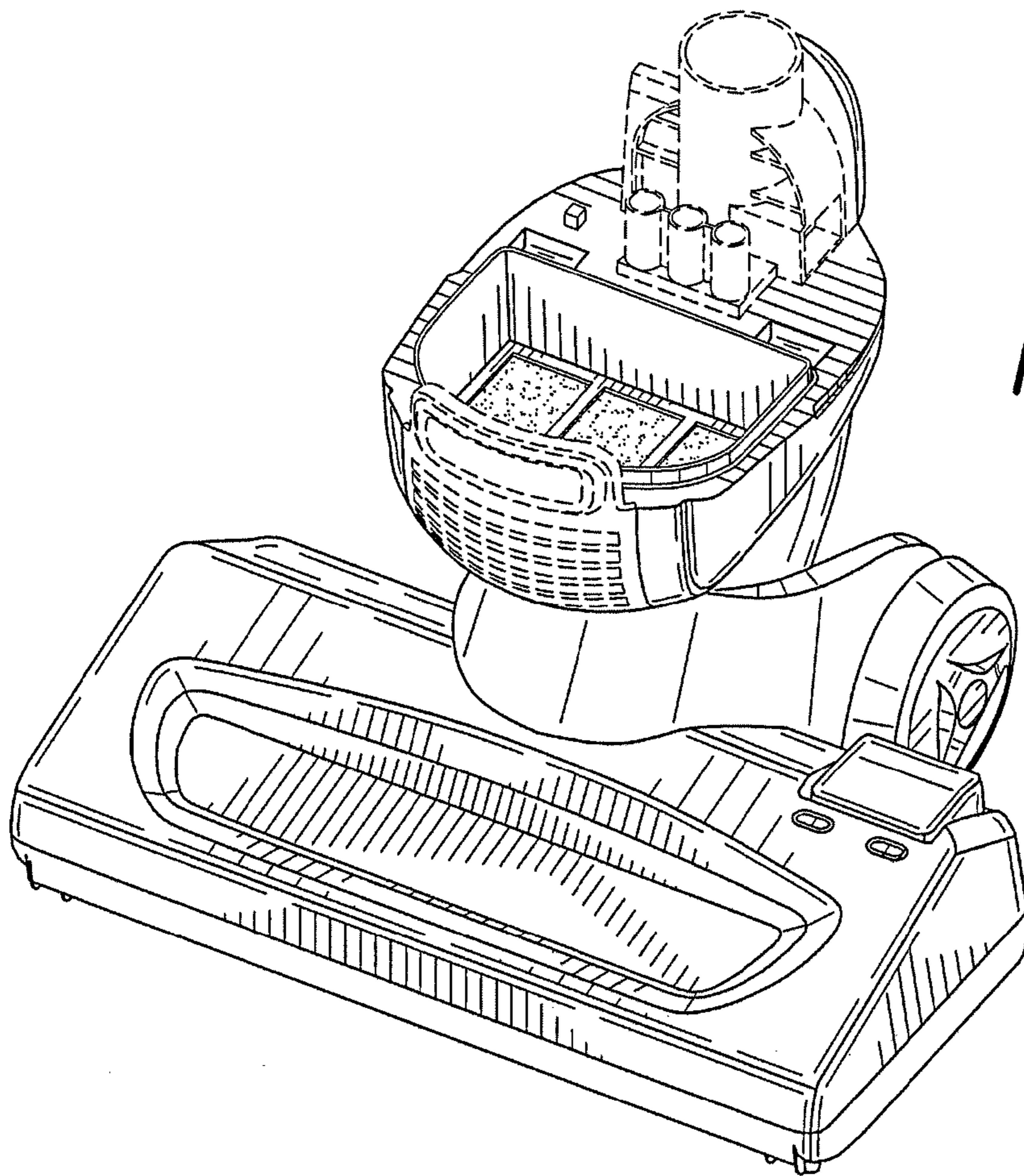
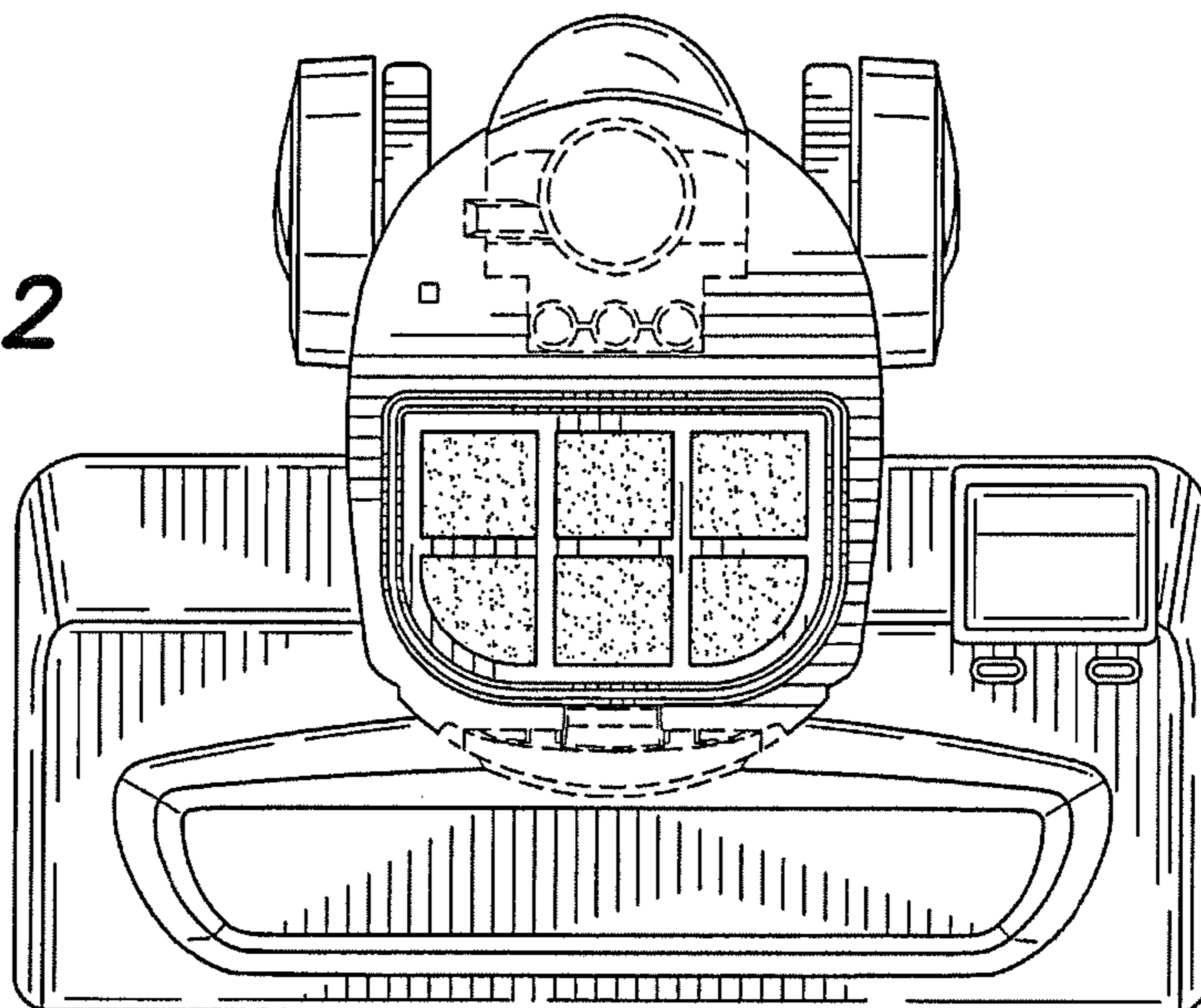


FIG. 1

FIG. 2



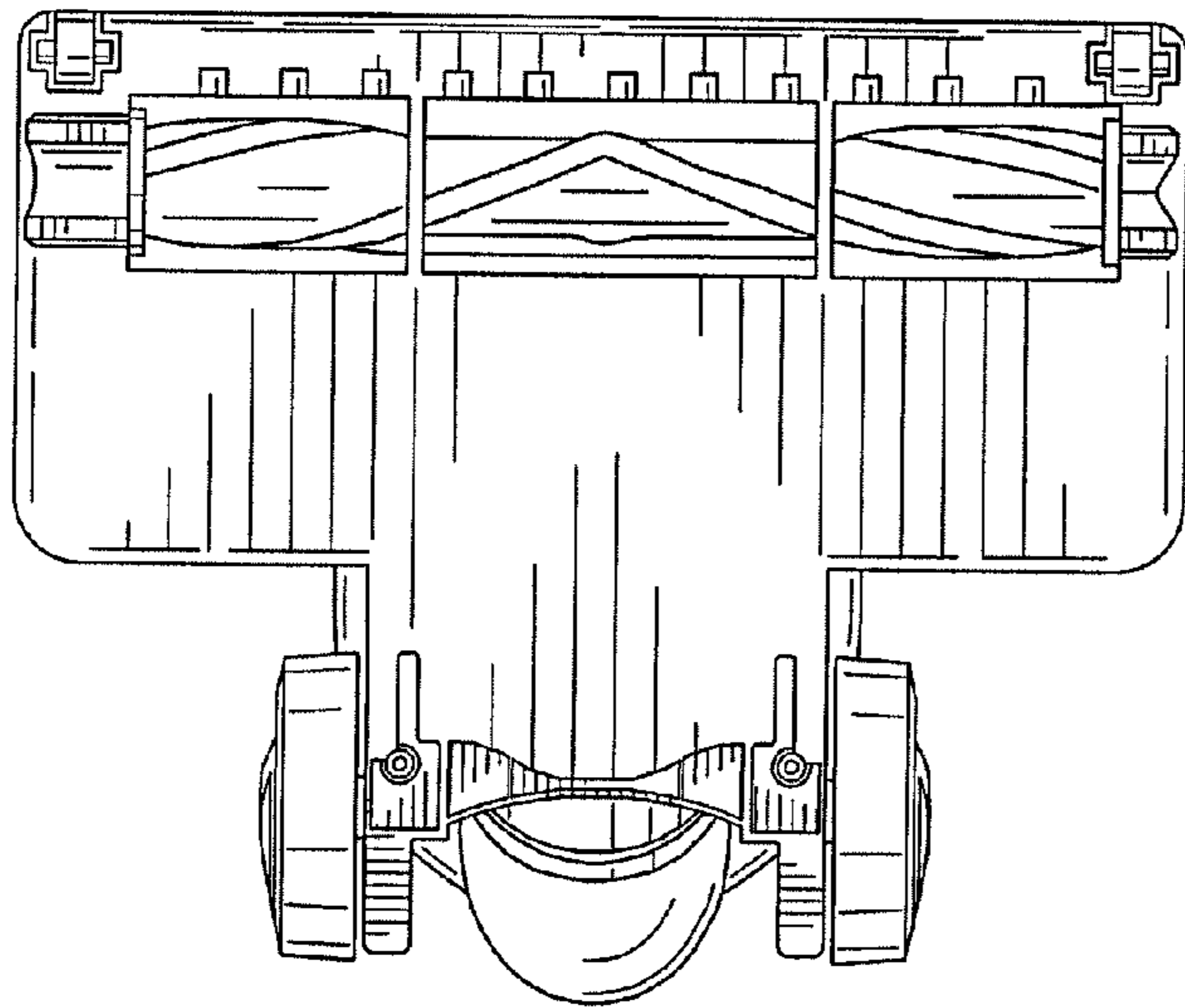


FIG. 3

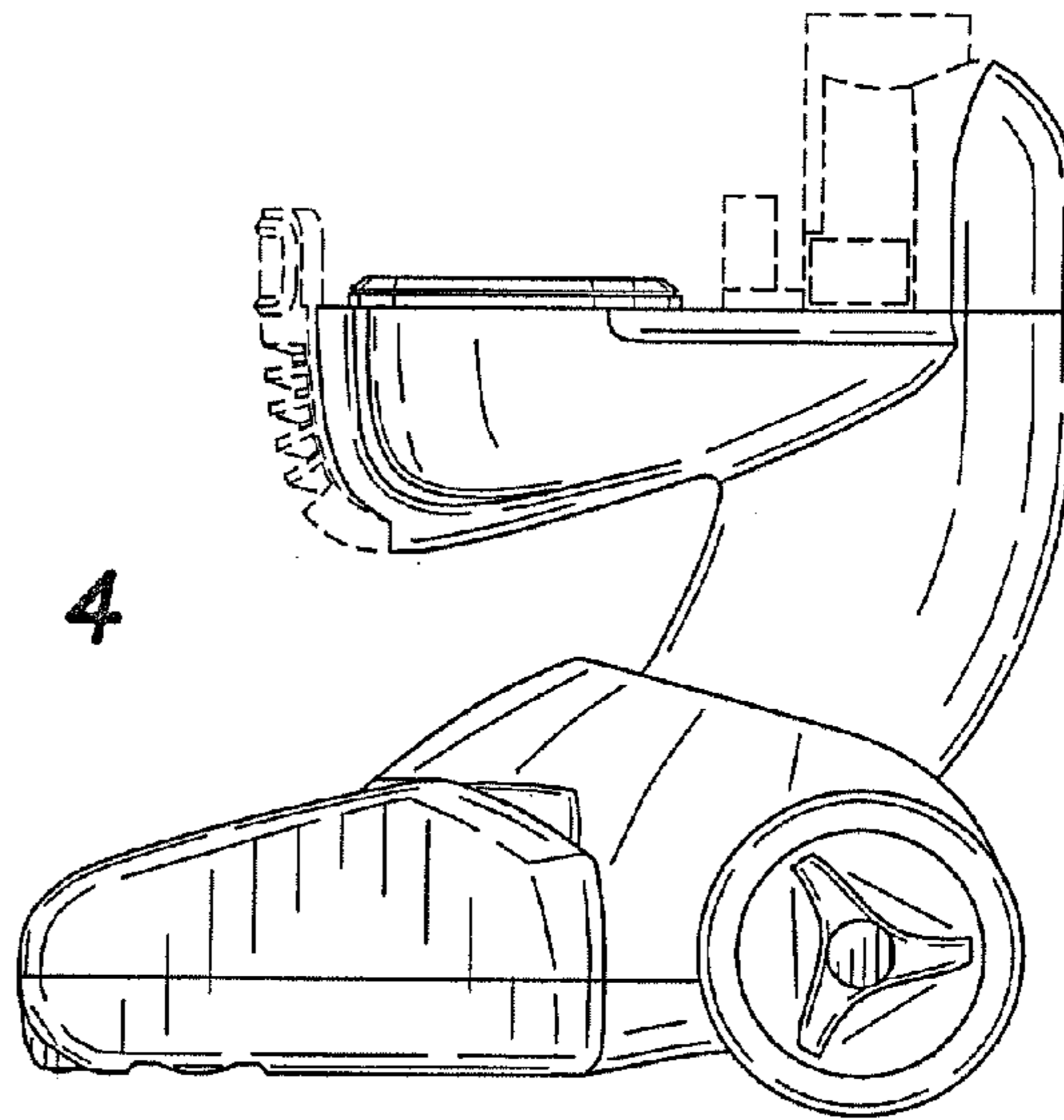


FIG. 4

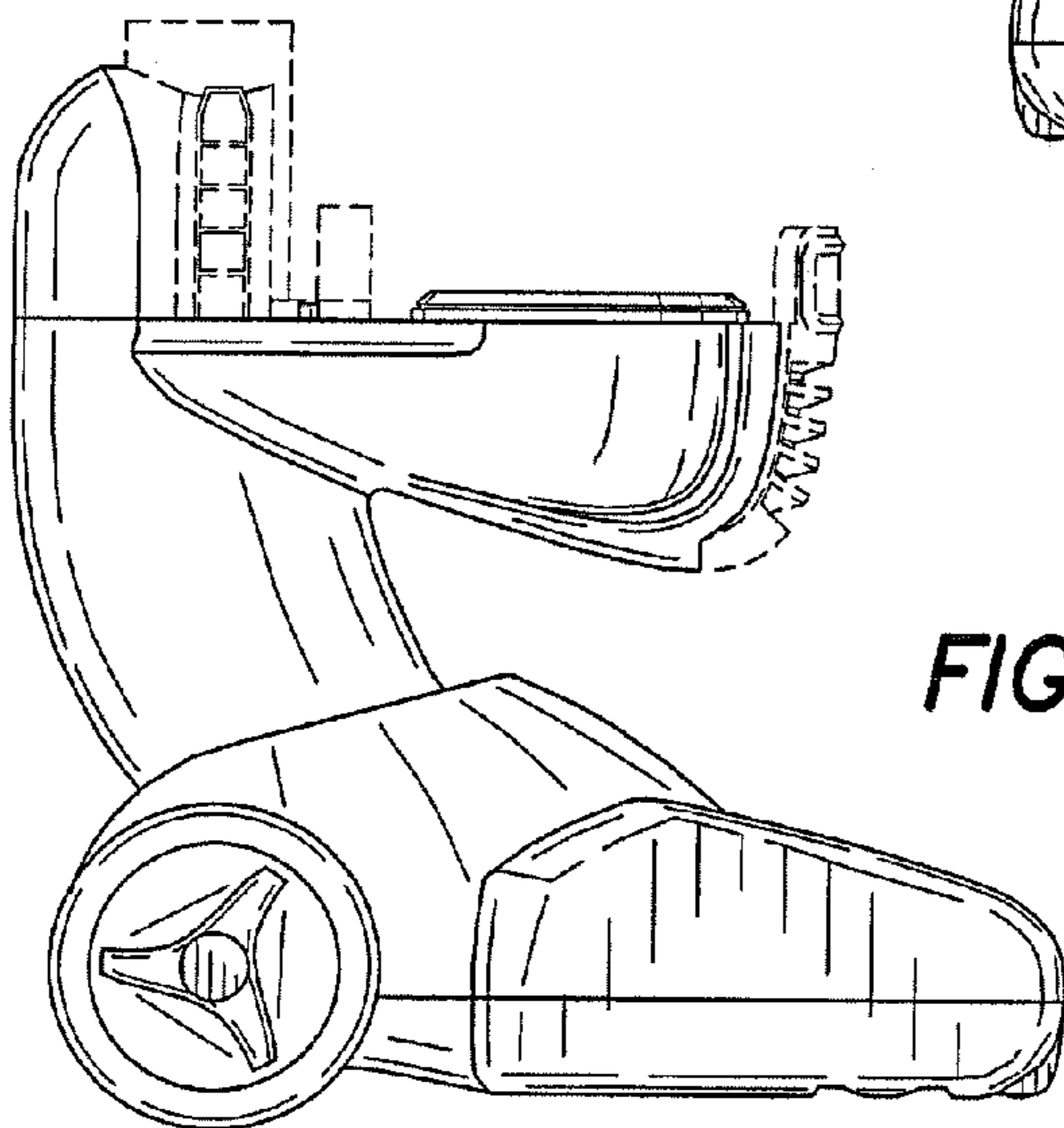


FIG. 5

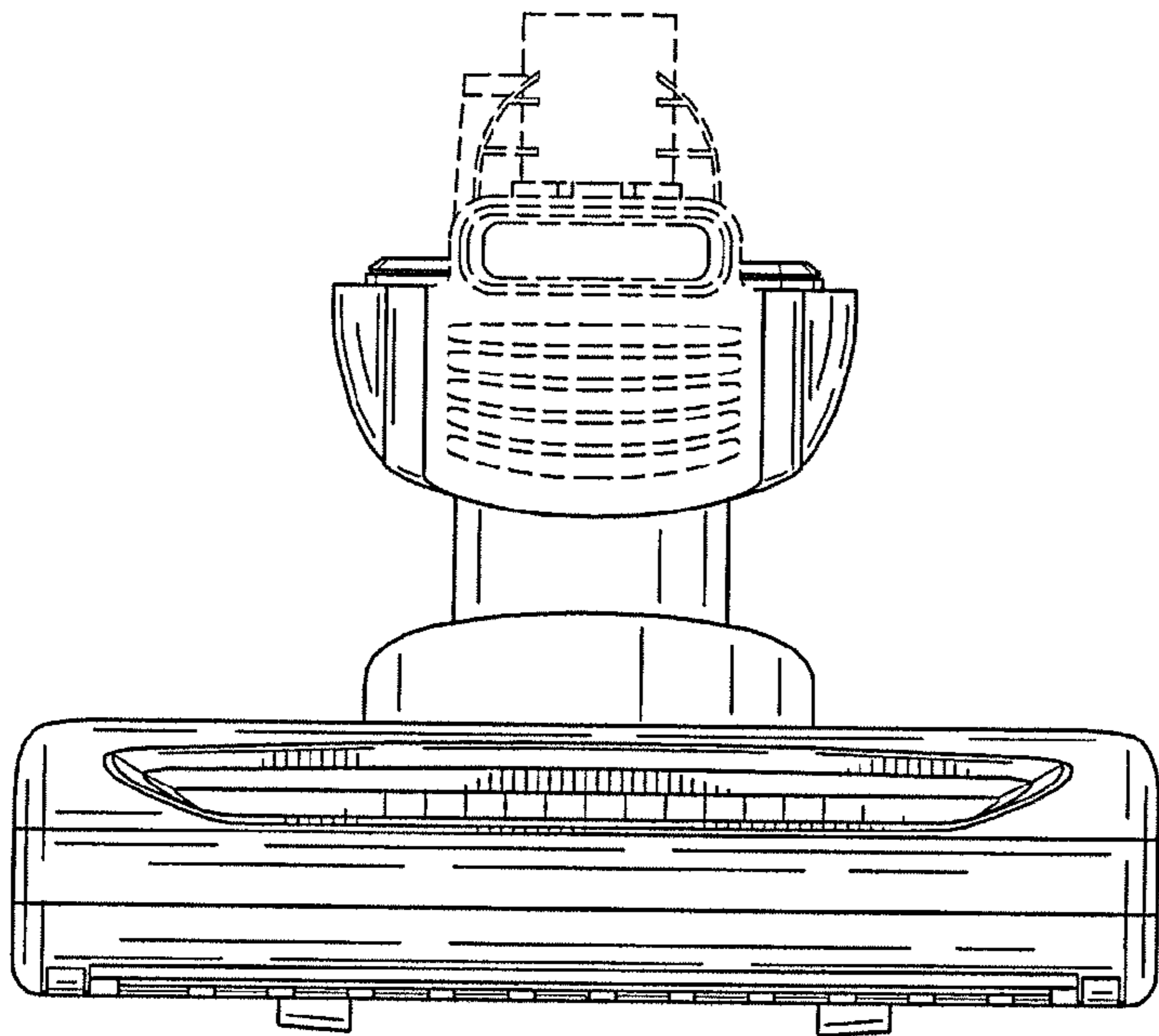


FIG. 6

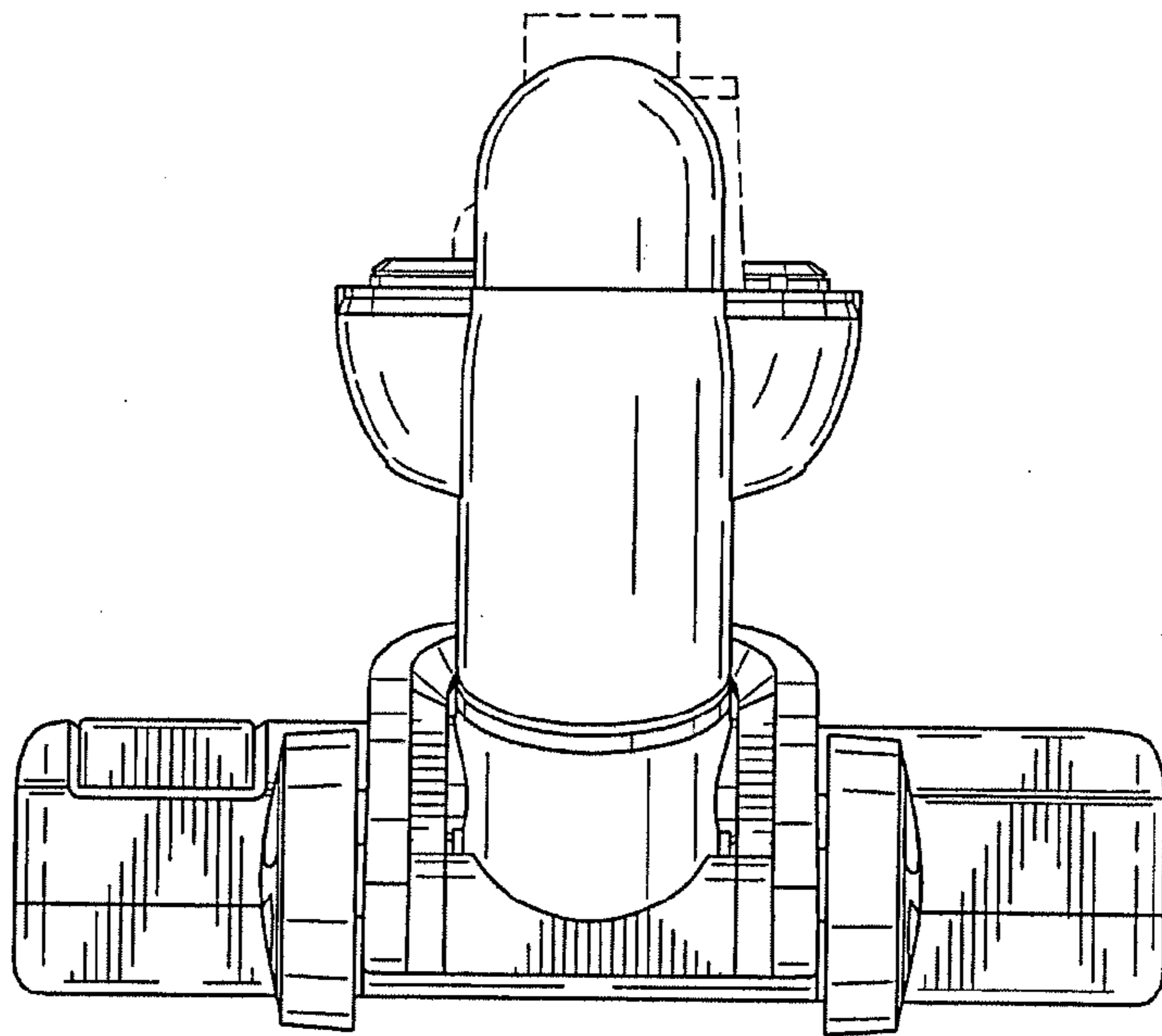


FIG. 7