



US00D703401S

(12) **United States Design Patent**
Hill

(10) **Patent No.:** **US D703,401 S**

(45) **Date of Patent:** **** Apr. 22, 2014**

(54) **AUXILIARY CYCLONIC DUST COLLECTOR**

(71) Applicant: **Jeffrey M. Hill**, Cicero, NY (US)

(72) Inventor: **Jeffrey M. Hill**, Cicero, NY (US)

(73) Assignee: **Oneida Air Systems, Inc.**, Syracuse, NY (US)

(**) Term: **14 Years**

(21) Appl. No.: **29/443,746**

(22) Filed: **Jan. 22, 2013**

(51) **LOC (10) Cl.** **15-05**

(52) **U.S. Cl.**
USPC **D32/31**

(58) **Field of Classification Search**
USPC D32/1, 21-23, 31, 34; 15/353, 347,
15/410-412, 350, 351, 361, 329, 336, 345,
15/2, 320-321, 340.2; 55/337, 315,
55/DIG. 3, 459.1; 95/271

See application file for complete search history.

(56) **References Cited**

U.S. PATENT DOCUMENTS

6,129,775	A *	10/2000	Conrad et al.	55/337
6,361,576	B1 *	3/2002	Andriola	55/459.1
6,679,930	B1 *	1/2004	An et al.	55/337
2001/0005986	A1 *	7/2001	Matsubara et al.	55/459.1
2004/0187449	A1 *	9/2004	Witter	55/337
2006/0143853	A1 *	7/2006	Agerlid et al.	15/353

2009/0235482	A1 *	9/2009	Tanner et al.	15/353
2009/0265883	A1 *	10/2009	Reed et al.	15/353
2012/0180662	A1 *	7/2012	Missalla et al.	95/271

* cited by examiner

Primary Examiner — Ruth McInroy

(74) *Attorney, Agent, or Firm* — Bernhard P. Molldrem, Jr.

(57) **CLAIM**

The ornamental design for an auxiliary cyclonic dust collector, as shown and described.

DESCRIPTION

FIG. 1 is a perspective view of an auxiliary cyclonic dust collector, showing my new design. Interior surfaces of the cyclonic dust collector are represented in broken line and do not form part of the design.

FIG. 2 is a front elevation view thereof. Interior surfaces of the cyclonic dust collector and an associated dust collection drum are shown in broken line, and do not form part of the design.

FIG. 3 is a left side elevation view thereof. An associated dust collection drum is shown in broken line and does not form part of the design.

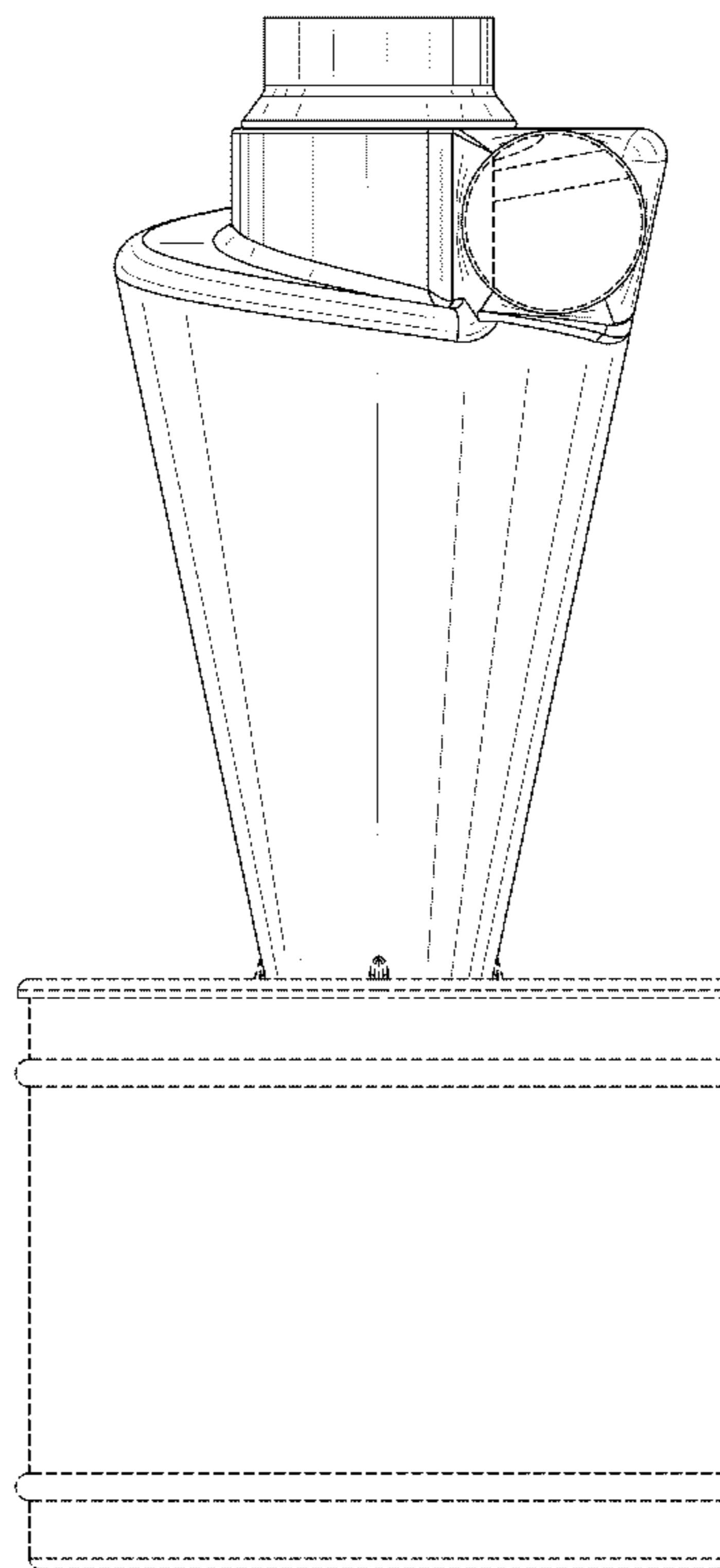
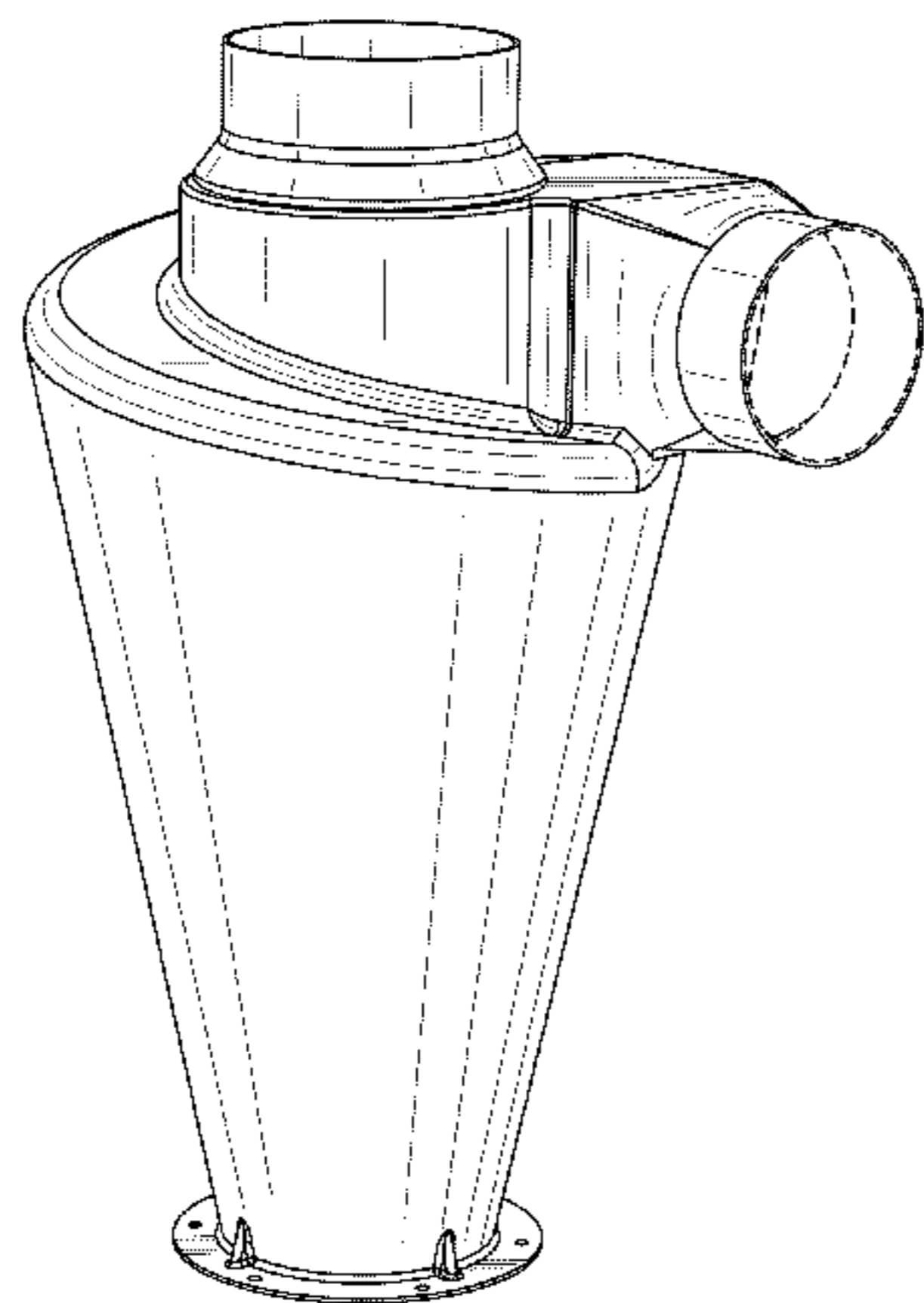
FIG. 4 is a right side elevation view thereof. An associated dust collection drum is shown in broken line and does not form part of the design.

FIG. 5 is a rear elevation view thereof. An associated dust collection drum is shown in broken line and does not form part of the design.

FIG. 6 is a top plan view thereof; and,

FIG. 7 is a bottom view thereof.

1 Claim, 6 Drawing Sheets



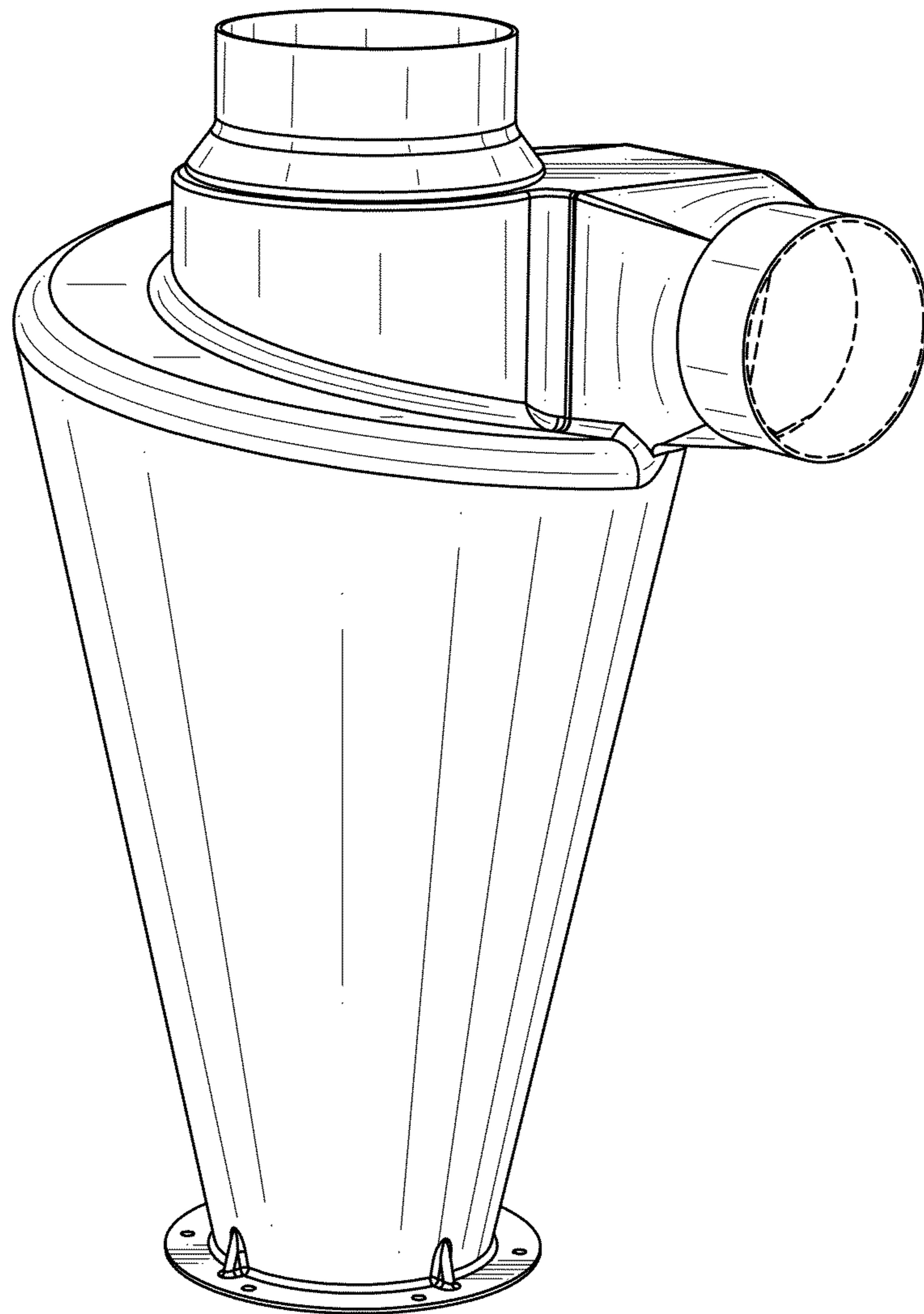


FIG. 1

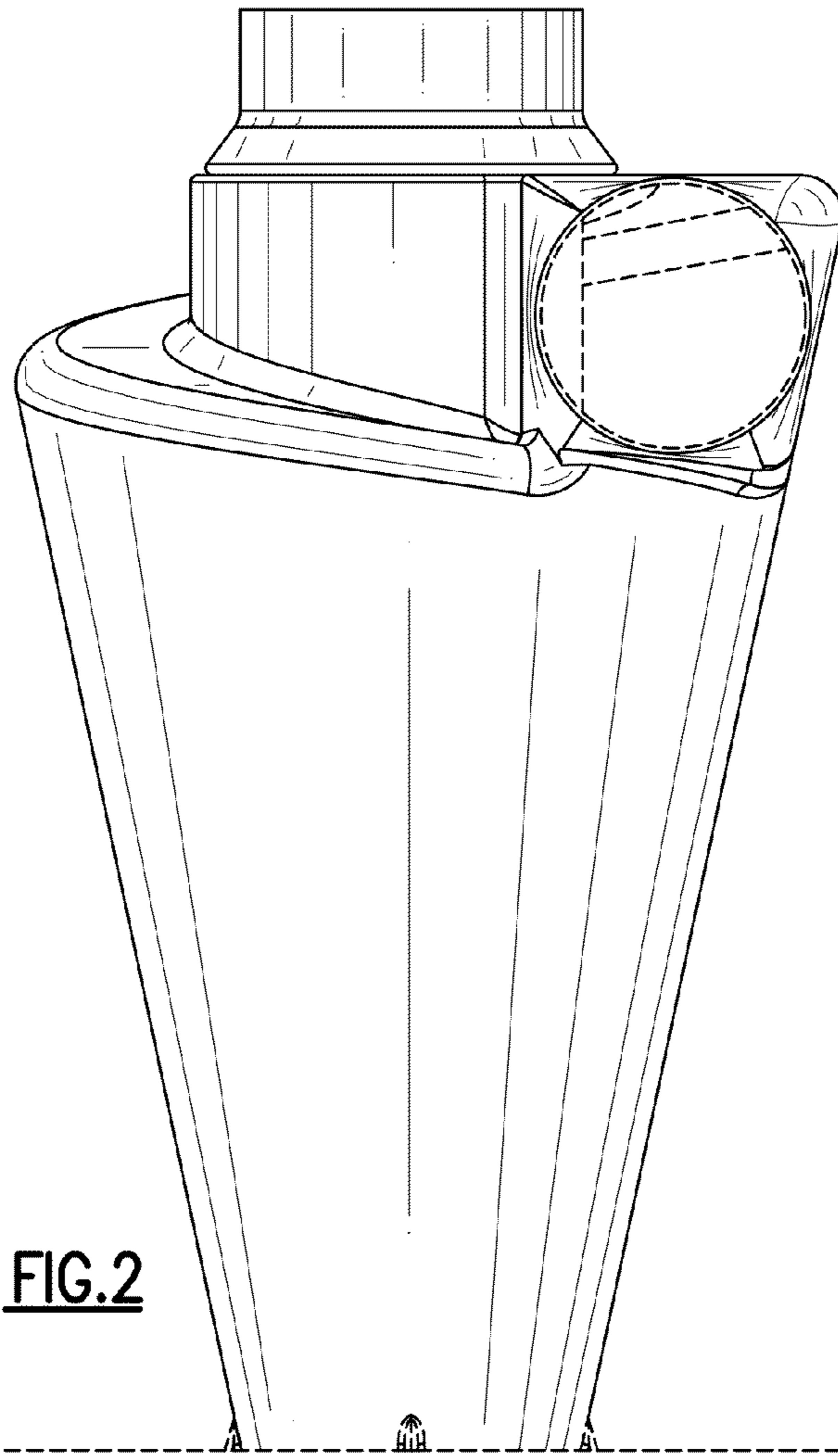
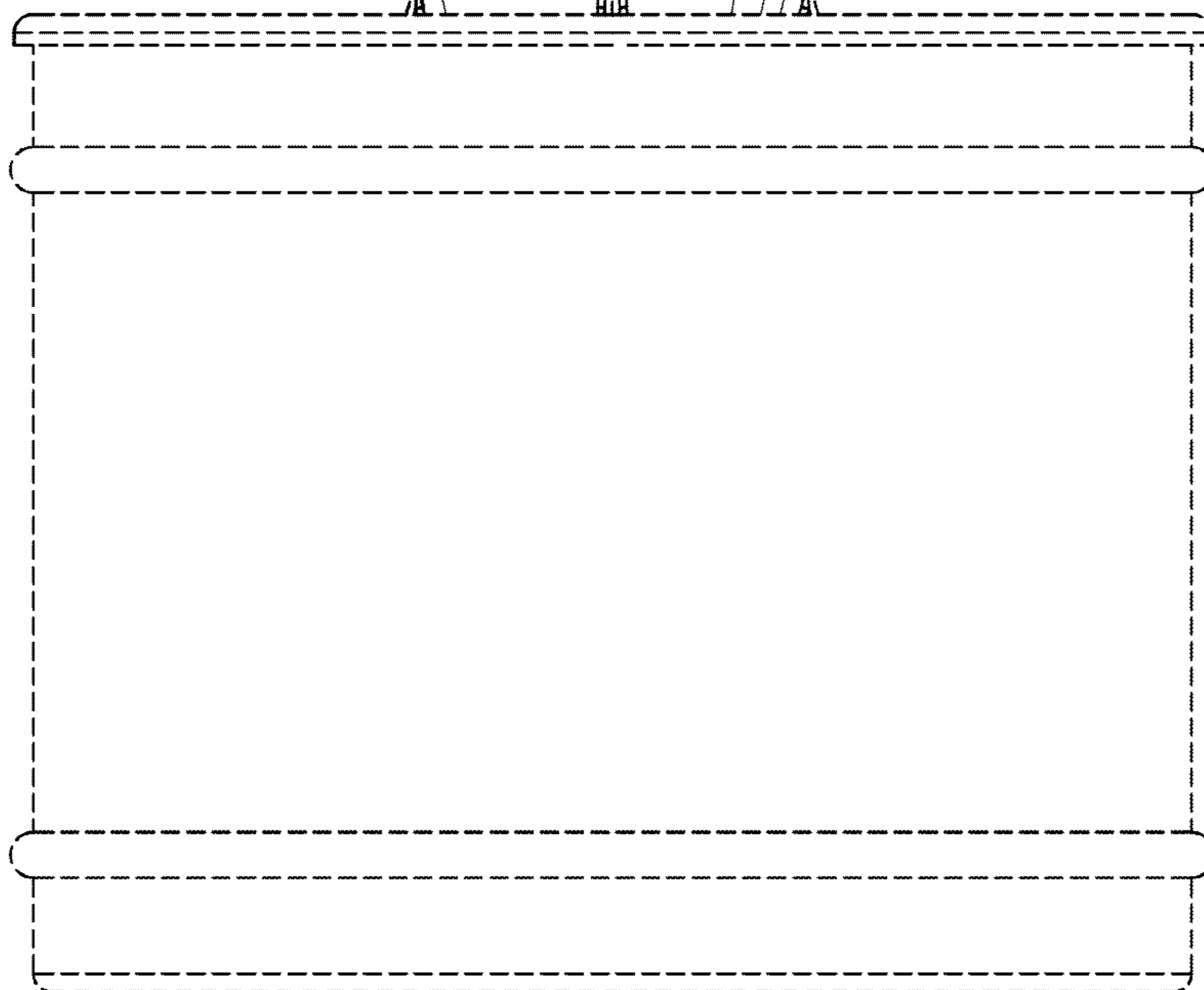


FIG. 2



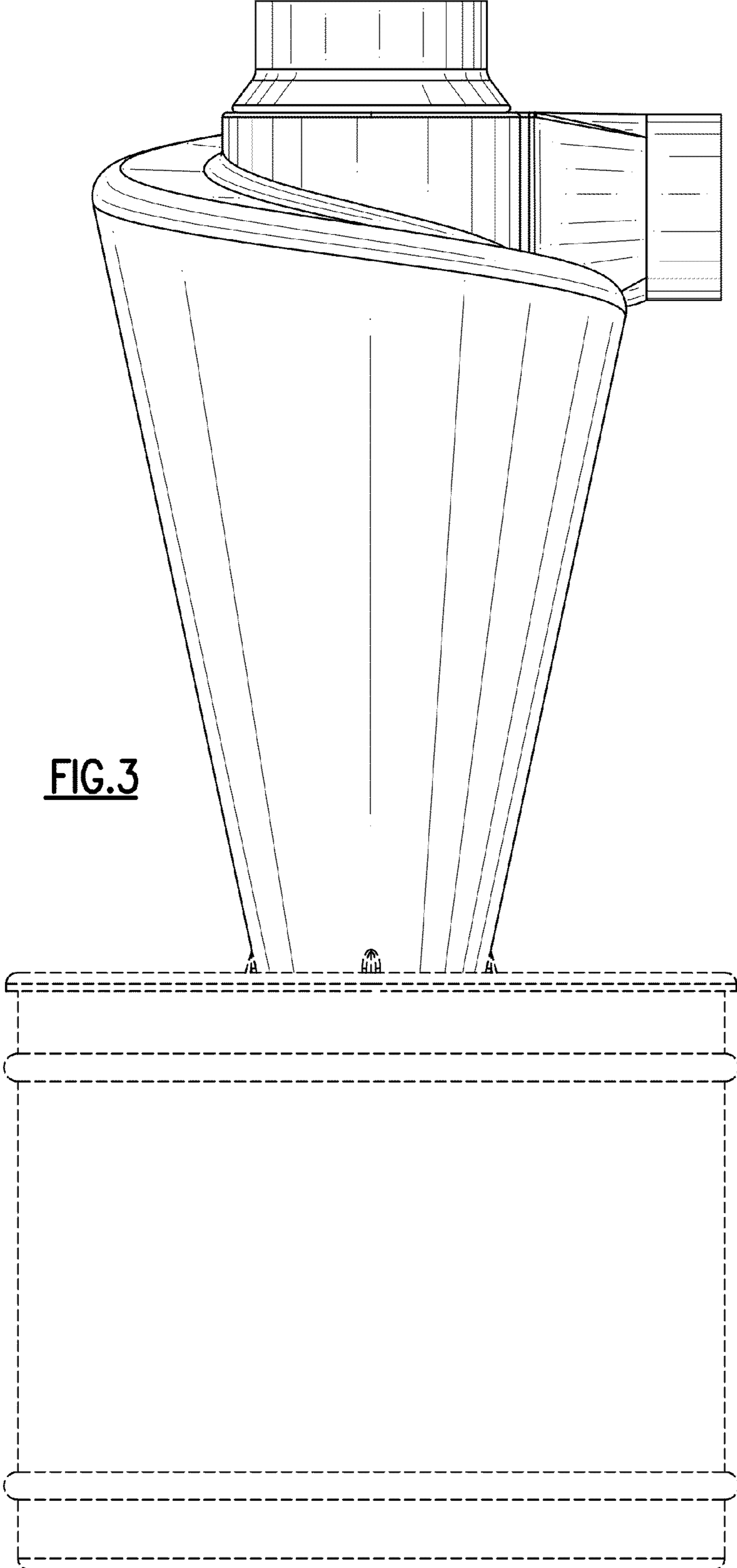
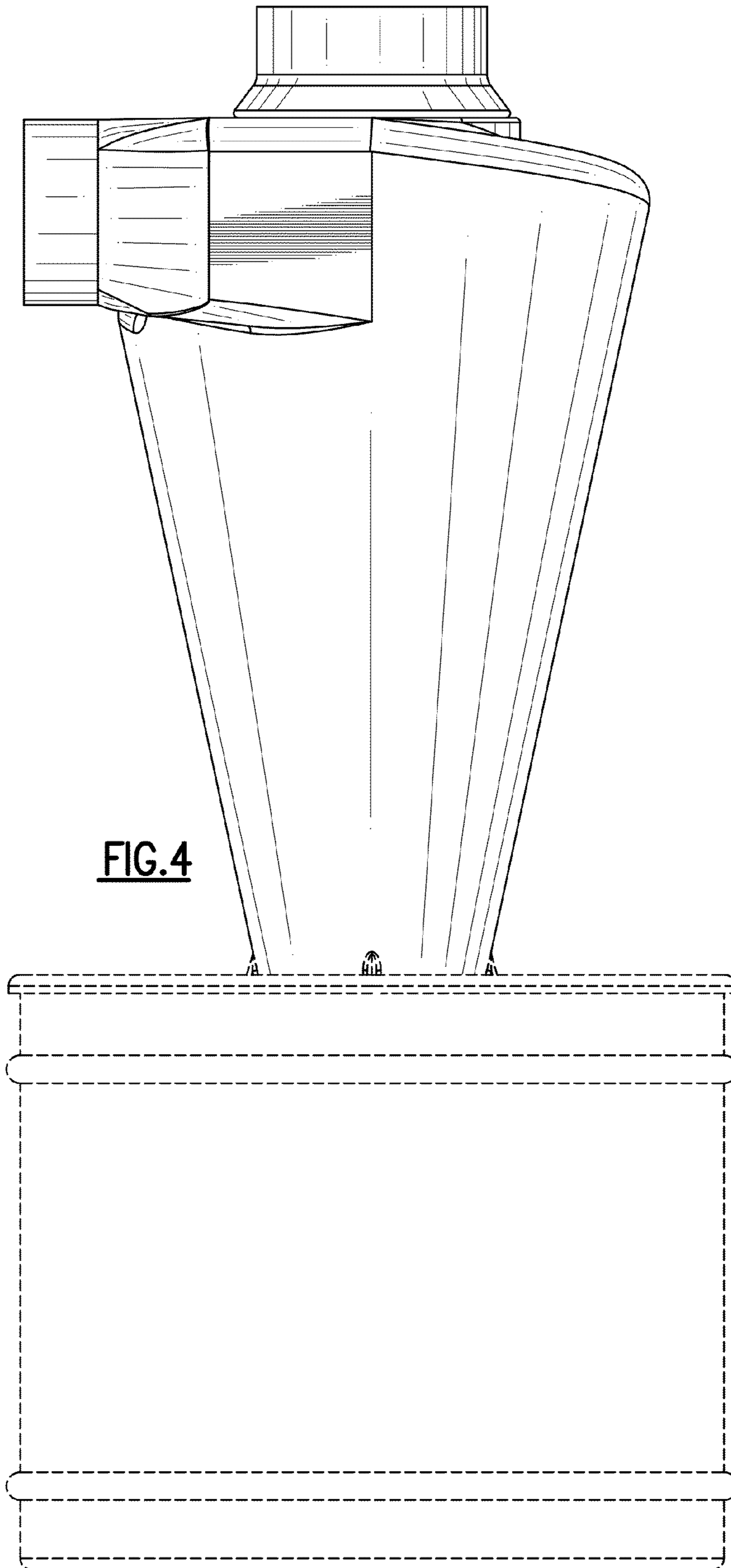
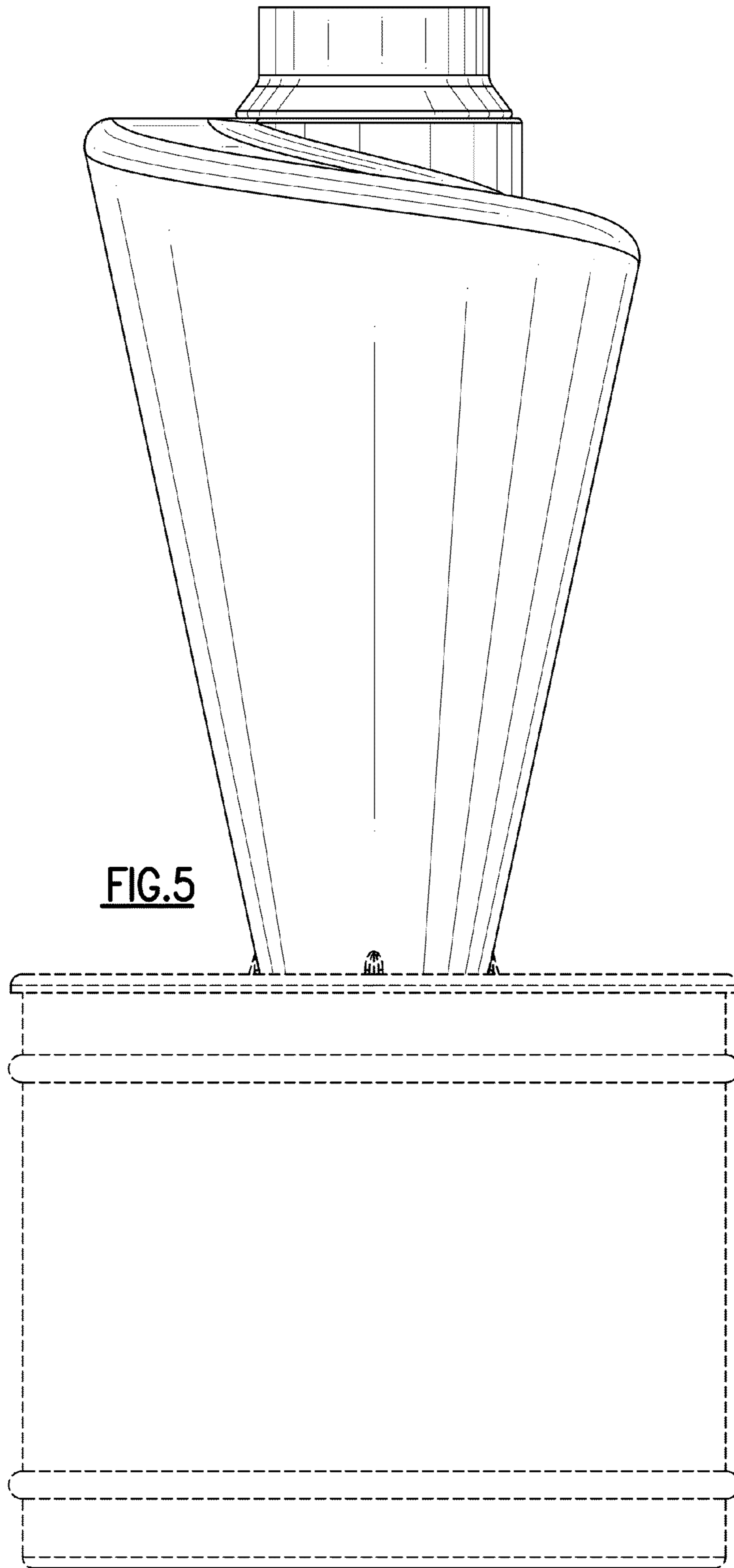


FIG. 3





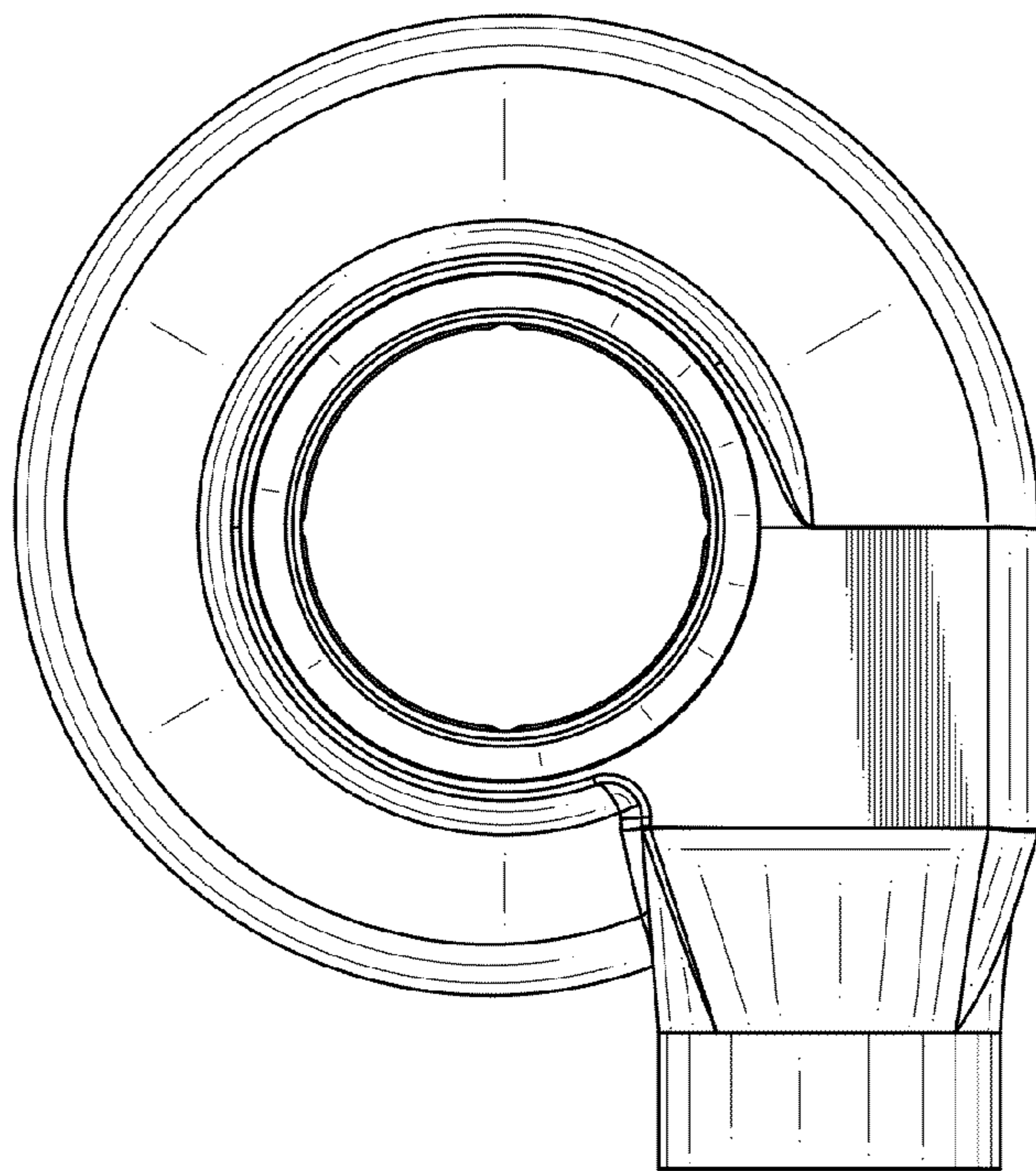


FIG. 6

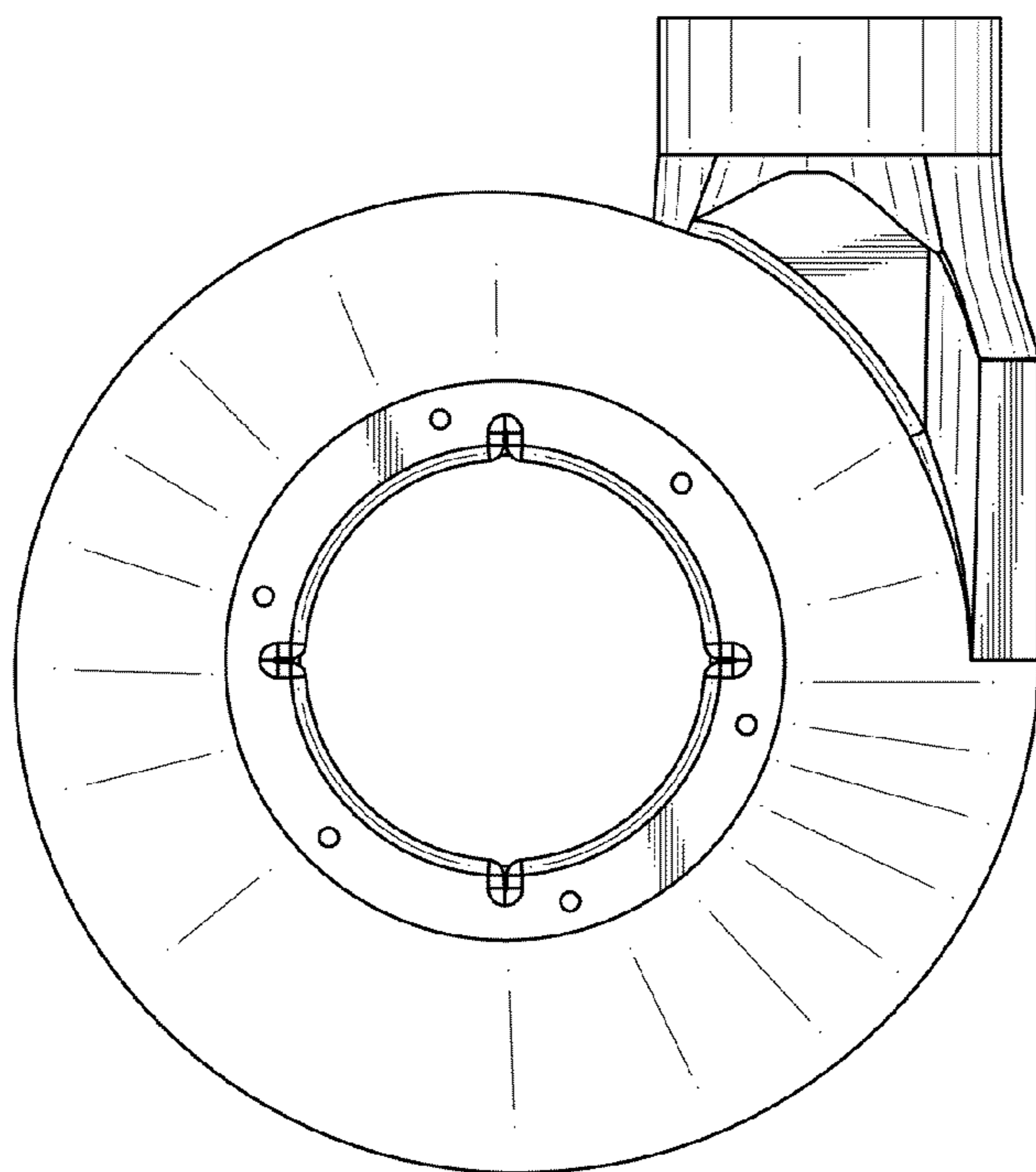


FIG. 7