



US00D703400S

(12) **United States Design Patent**  
**Wang**

(10) **Patent No.:** **US D703,400 S**

(45) **Date of Patent:** **\*\* Apr. 22, 2014**

(54) **BASE OF A DUST CLEANER**

(56) **References Cited**

(75) Inventor: **Weizhen Wang**, Suzhou (CN)

U.S. PATENT DOCUMENTS

(73) Assignee: **Suzhou Dream Power Electric Co., Ltd**, Suzhou, Jiangsu (CN)

D484,286	S	*	12/2003	Dyson et al.	.....	D32/24
D594,611	S	*	6/2009	Knox et al.	.....	D32/21
D668,406	S	*	10/2012	Choi et al.	.....	D32/21
2003/0115713	A1	*	6/2003	Yang	.....	15/327.2
2005/0015917	A1	*	1/2005	Mattingly et al.	.....	15/327.2

(\*\*) Term: **14 Years**

\* cited by examiner

(21) Appl. No.: **29/424,937**

*Primary Examiner* — Ruth McInroy

(22) Filed: **Jun. 18, 2012**

(74) *Attorney, Agent, or Firm* — Stites & Harbison PLLC;  
Cong Ding

(30) **Foreign Application Priority Data**

(57) **CLAIM**

The ornamental design for a base of a dust cleaner, as shown and described.

Dec. 19, 2011 (CN) ..... 2011 3 0488093

**DESCRIPTION**

(51) **LOC (10) Cl.** ..... **15-05**

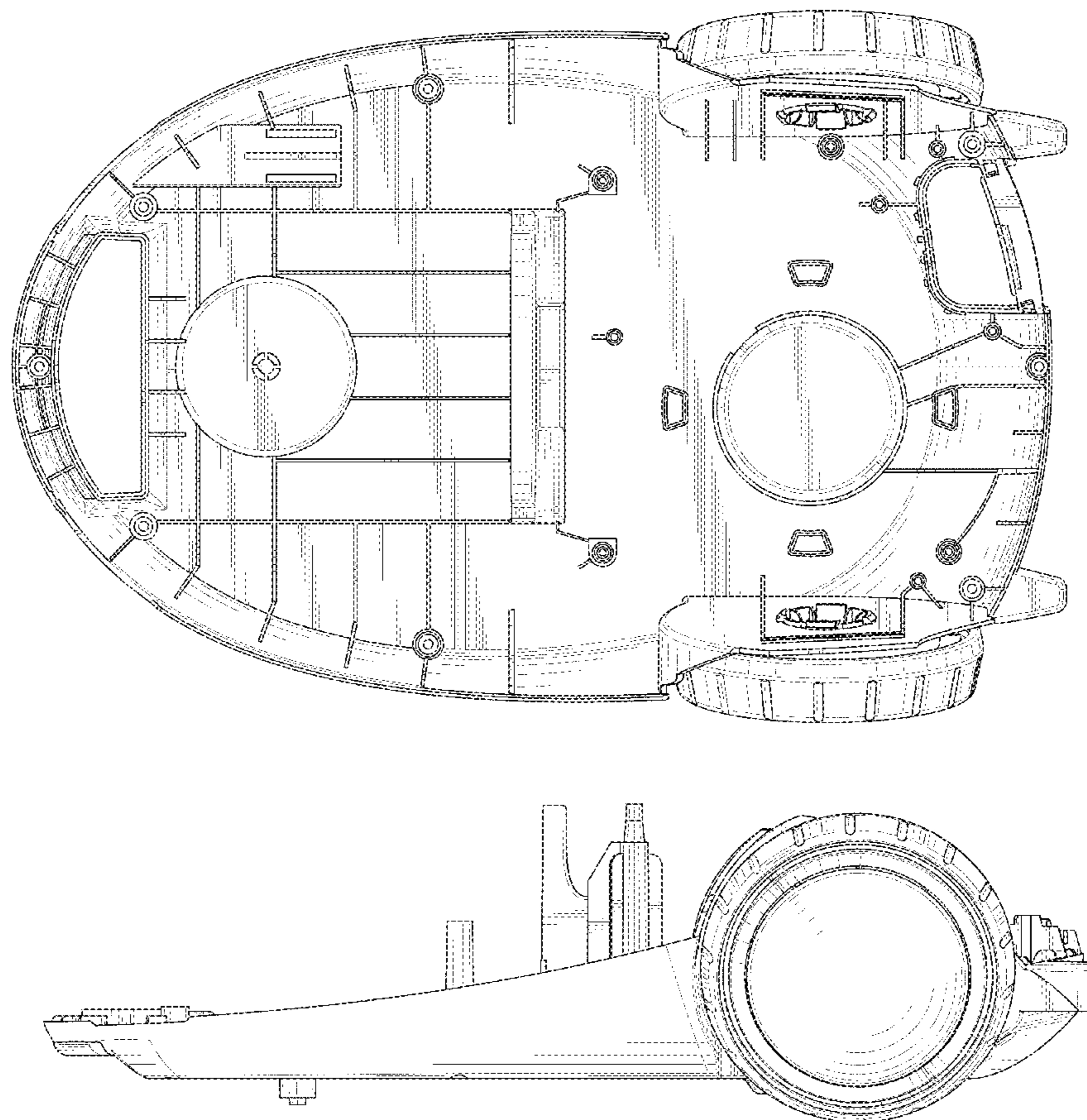
(52) **U.S. Cl.**  
USPC ..... **D32/31**

(58) **Field of Classification Search**  
USPC ..... D32/18, 21-24, 31; 15/320-321,  
15/327.1-327.2, 327.4, 327.6-327.7,  
15/257.01, 323, 329, 344, 347, 353, 412;  
55/337, 429, 345; 95/271

FIG. 1 is a bottom plan view of a base of a dust cleaner showing my new design;  
FIG. 2 is a top plan view thereof;  
FIG. 3 is a left side view thereof;  
FIG. 4 is a right side view thereof;  
FIG. 5 is a front view thereof;  
FIG. 6 is a rear view thereof; and,  
FIG. 7 is a bottom and front perspective view thereof.

See application file for complete search history.

**1 Claim, 7 Drawing Sheets**



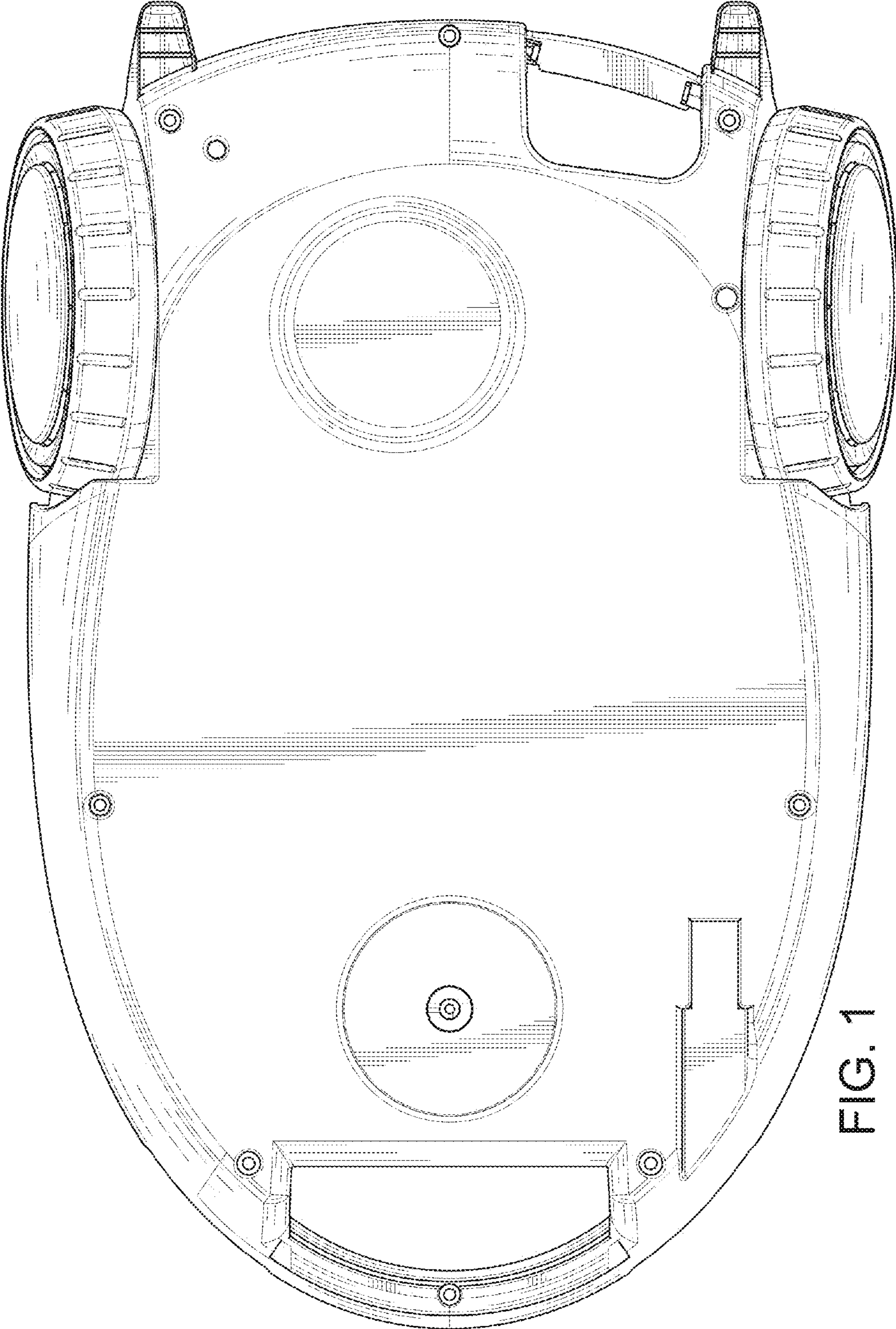


FIG. 1

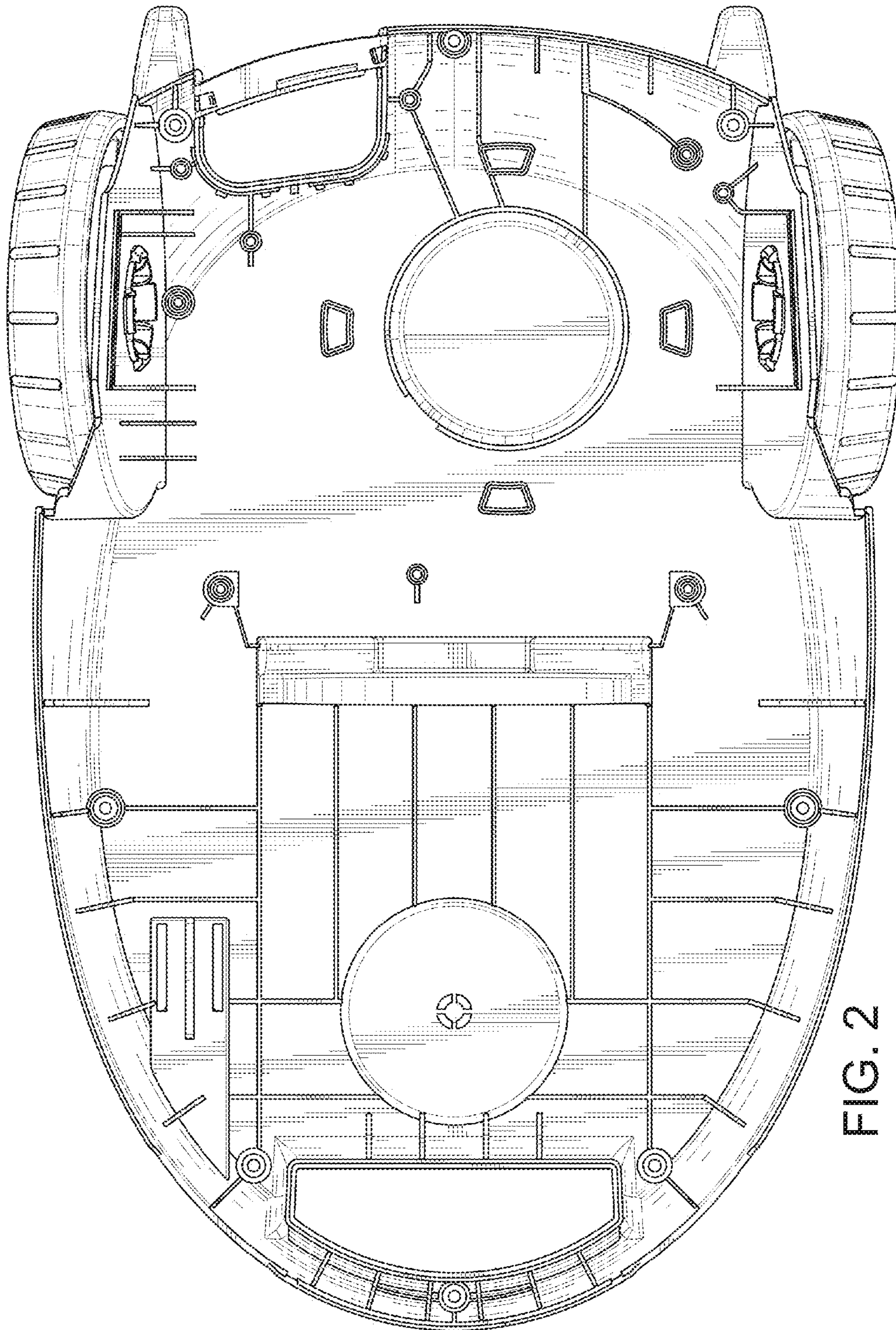


FIG. 2

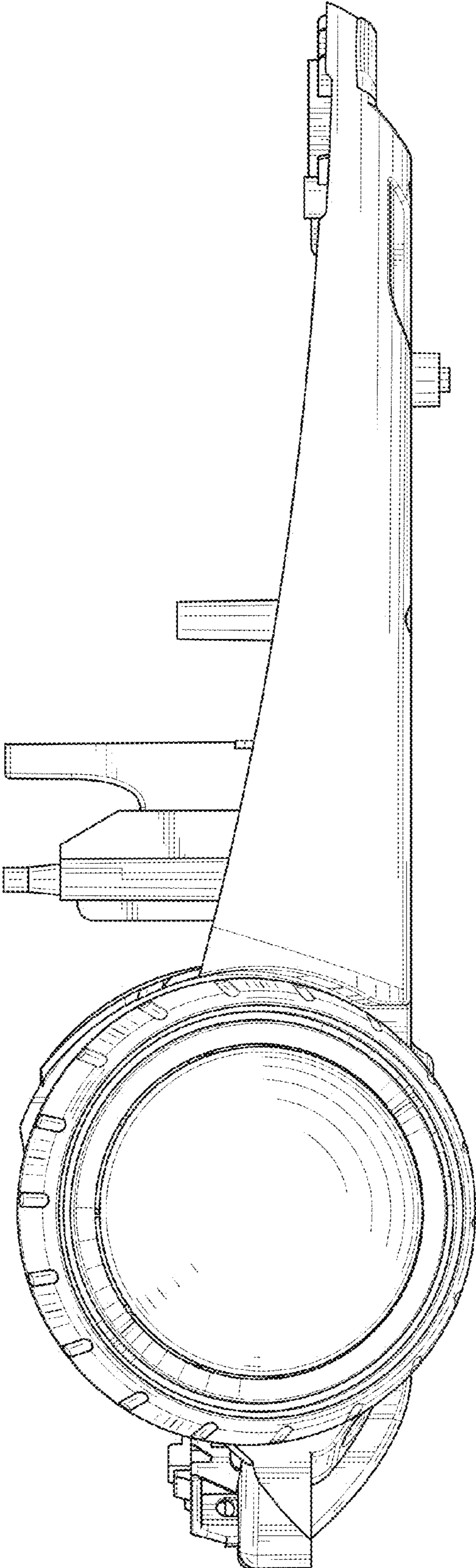


FIG. 3

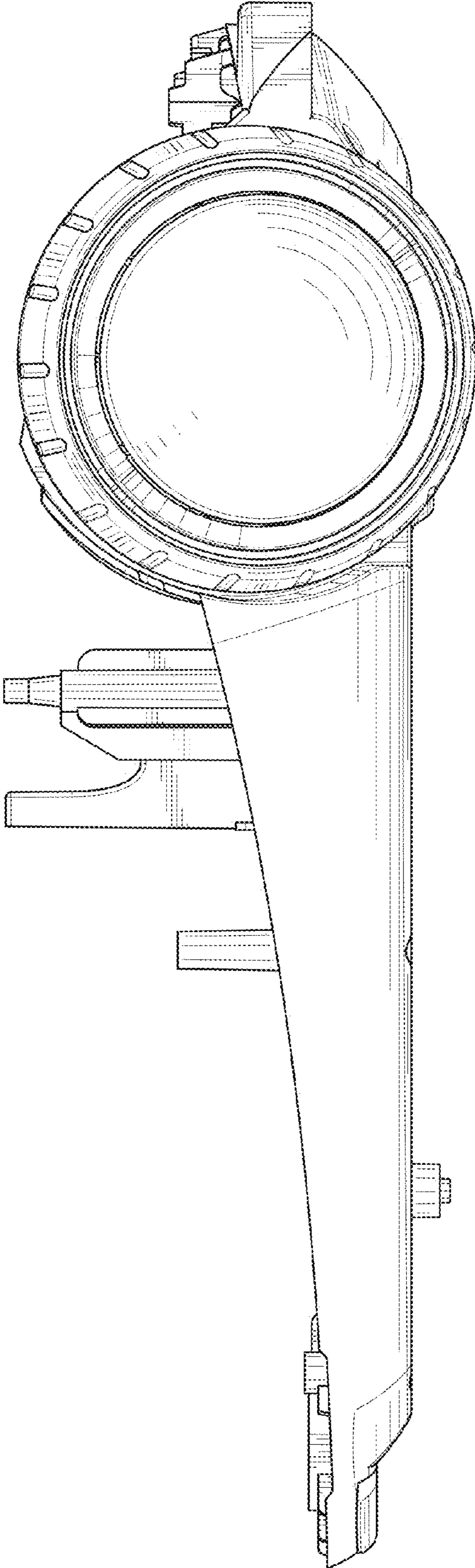


FIG. 4

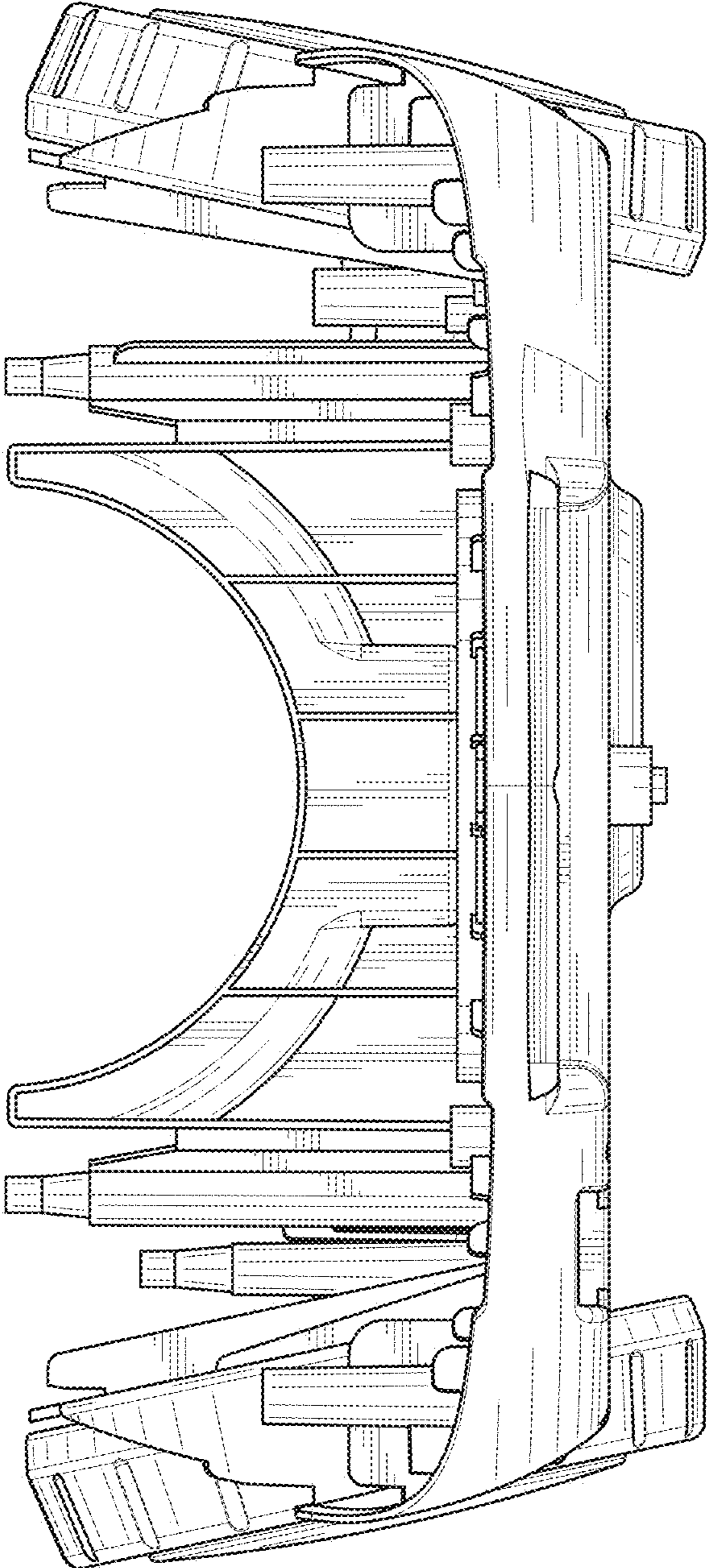


FIG. 5

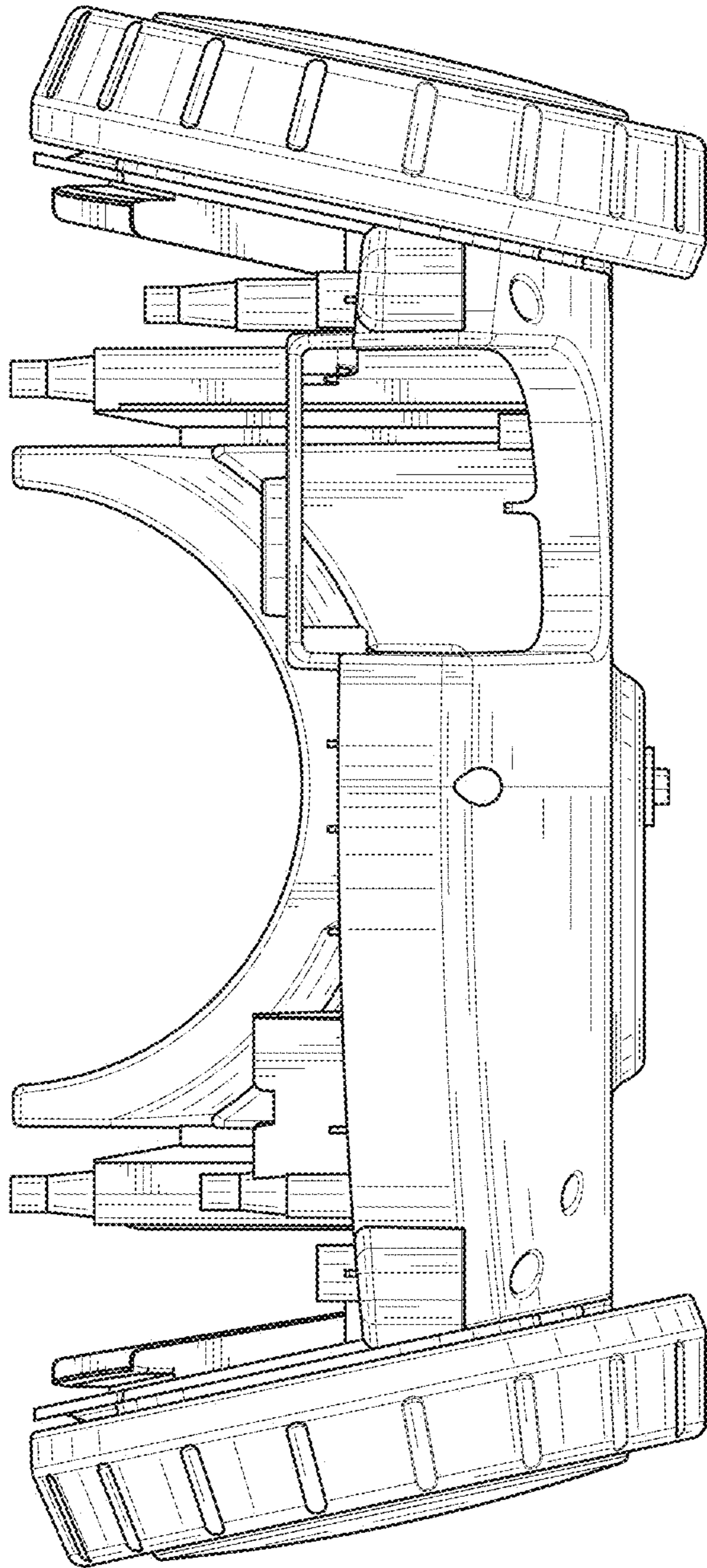


FIG. 6

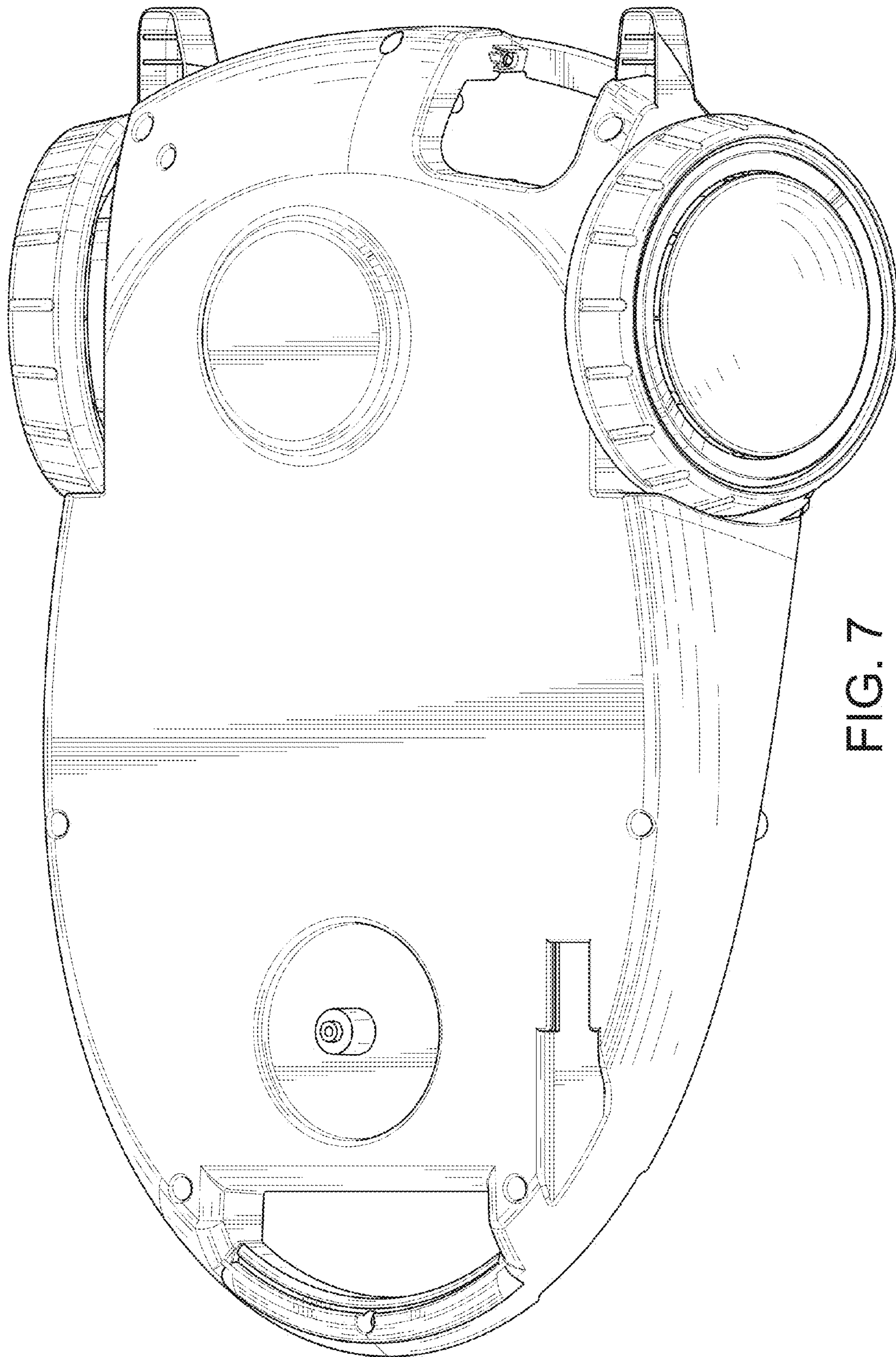


FIG. 7