



US00D703399S

(12) **United States Design Patent**  
**Nixon et al.**

(10) **Patent No.:** **US D703,399 S**  
(45) **Date of Patent:** **\*\* Apr. 22, 2014**

(54) **DRYER BAR**

(75) Inventors: **Anne E. Nixon**, Bridgeport, CT (US);  
**Alex Gustave Limauro**, West Haven,  
CT (US); **Michael David Daoust**, Sandy  
Hook, CT (US)

(73) Assignee: **The Sun Products Corporation**,  
Wilton, CT (US)

(\*\*) Term: **14 Years**

(21) Appl. No.: **29/410,310**

(22) Filed: **Jan. 6, 2012**

(51) **LOC (10) Cl.** ..... **15-05**

(52) **U.S. Cl.**  
USPC ..... **D32/29.1**

(58) **Field of Classification Search**  
USPC ..... D32/1, 25, 29.1, 35; D28/8.1, 8.2;  
D24/100, 114, 461; 68/17 R; 248/118,  
248/918; 510/133, 141, 148, 224, 294, 298,  
510/440-442, 445-450, 516, 519; D5/2-4,  
D5/15, 58, 61

See application file for complete search history.

(56) **References Cited**

**U.S. PATENT DOCUMENTS**

D23,114	S	*	3/1894	Ratcliff	.....	D7/554.2
4,546,583	A	*	10/1985	Hussar	.....	52/236.1
D327,543	S	*	6/1992	Gardner	.....	D25/138
5,125,606	A	*	6/1992	Cassano et al.	.....	248/118
D366,038	S	*	1/1996	Rogers	.....	D14/461
D399,195	S	*	10/1998	Cummings	.....	D14/460
6,089,516	A	*	7/2000	Yates	.....	248/118

6,499,703	B2	*	12/2002	Chou	.....	248/118
6,694,553	B1	*	2/2004	Yates	.....	5/655.5
D489,162	S	*	5/2004	Dings-Plooij	.....	D1/121
D509,604	S	*	9/2005	Zarifian	.....	D25/158
D549,871	S	*	8/2007	Karussi et al.	.....	D28/8.1
D589,519	S	*	3/2009	Smith	.....	D14/461
D610,270	S	*	2/2010	Li	.....	D25/158
D617,513	S	*	6/2010	Still	.....	D32/29.1
2006/0183663	A1	*	8/2006	Lentsch et al.	.....	510/515
2008/0290226	A1	*	11/2008	Ho	.....	248/118
2011/0237491	A1	*	9/2011	Woo et al.	.....	510/516

\* cited by examiner

*Primary Examiner* — T. Chase Nelson

*Assistant Examiner* — Kathleen M Sims

(74) *Attorney, Agent, or Firm* — Sterne, Kessler, Goldstein  
& Fox P.L.L.C.

(57) **CLAIM**

The ornamental design for a dryer bar, as shown and described.

**DESCRIPTION**

FIG. 1 is a front perspective view of a dryer bar showing our new design;

FIG. 2 is a top plan view thereof;

FIG. 3 is a front view thereof, the rear view being a mirror image thereof;

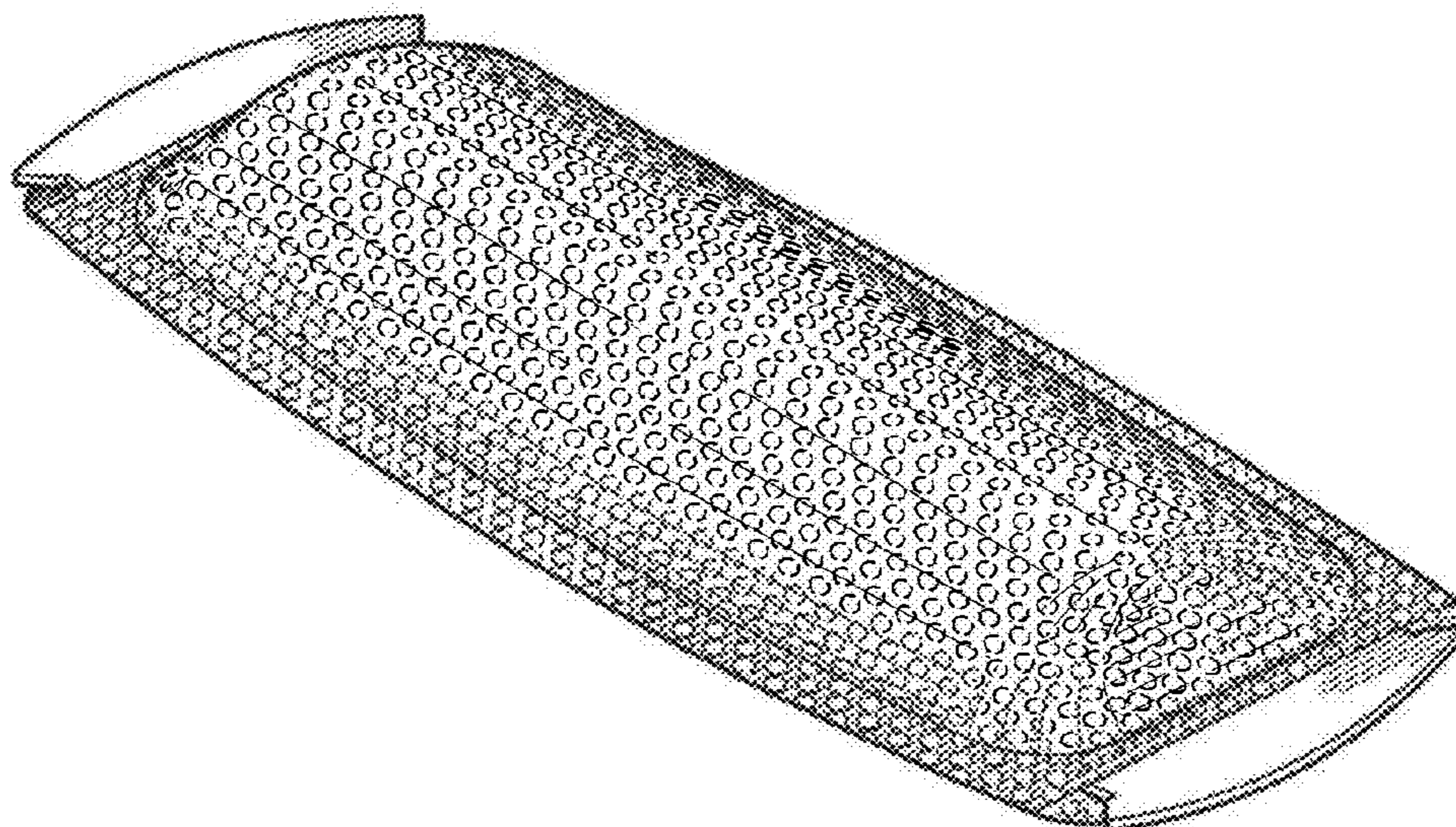
FIG. 4 is a side view thereof, the other side view being a mirror image thereof;

FIG. 5 is a bottom plan view thereof; and,

FIG. 6 is an exploded front perspective view thereof.

The broken line showing of a surface pattern in FIGS. 1-6 is included for the purpose of showing environmental portions of the dryer bar and form no part of the claimed design.

**1 Claim, 6 Drawing Sheets**



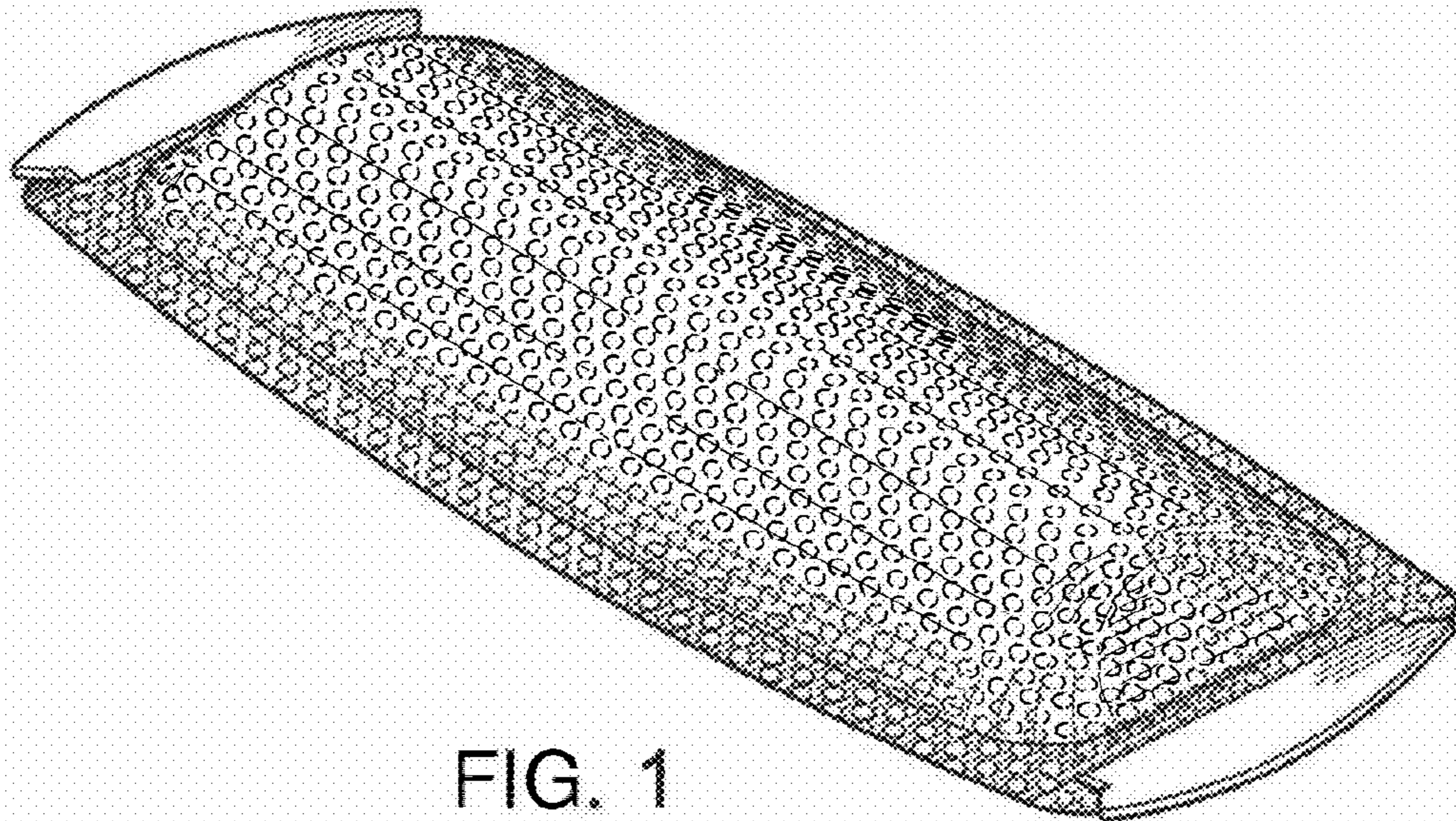


FIG. 1

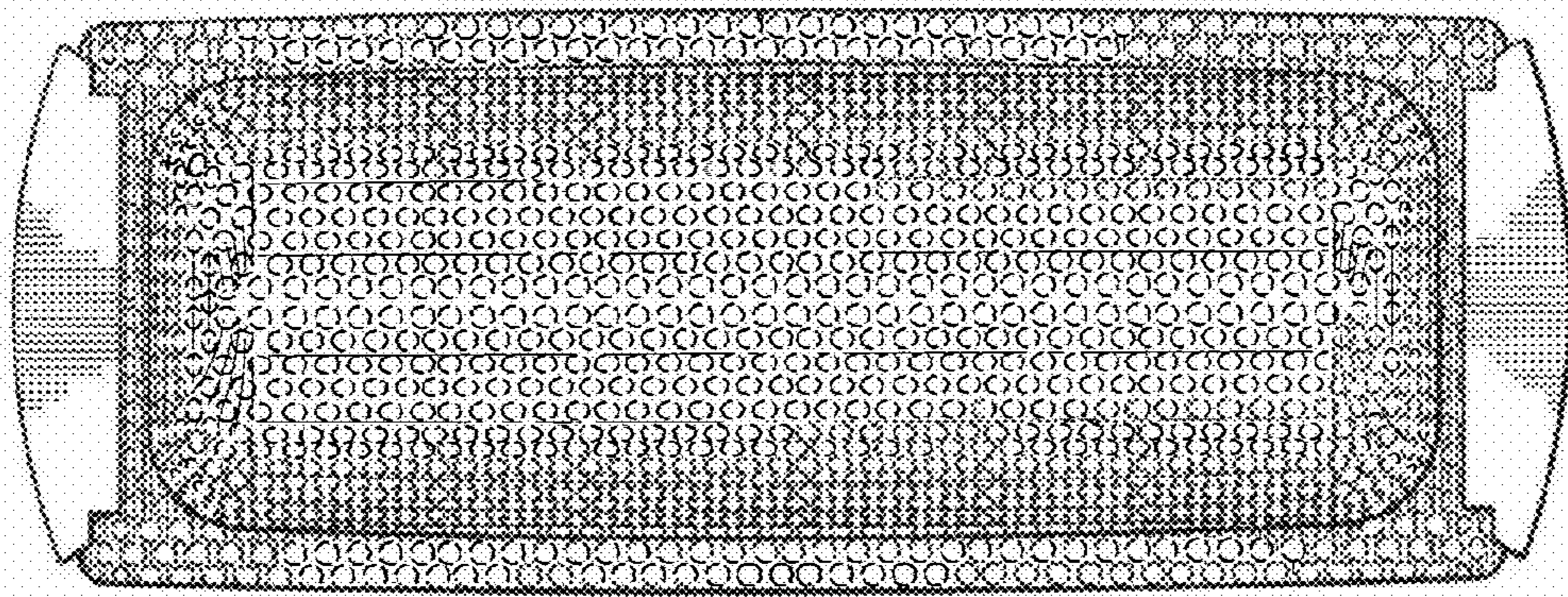


FIG. 2

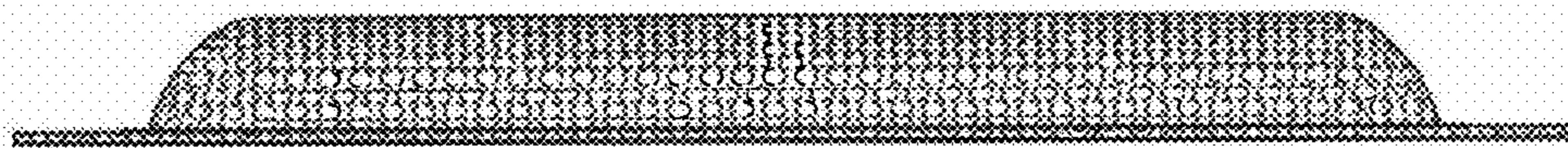


FIG. 3

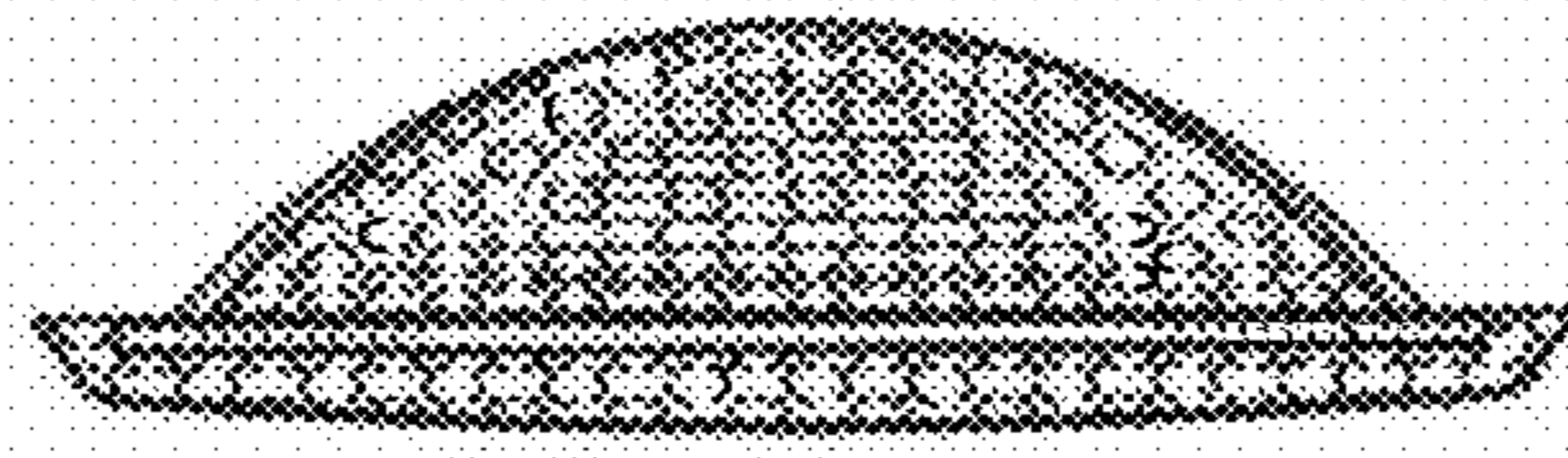


FIG. 4

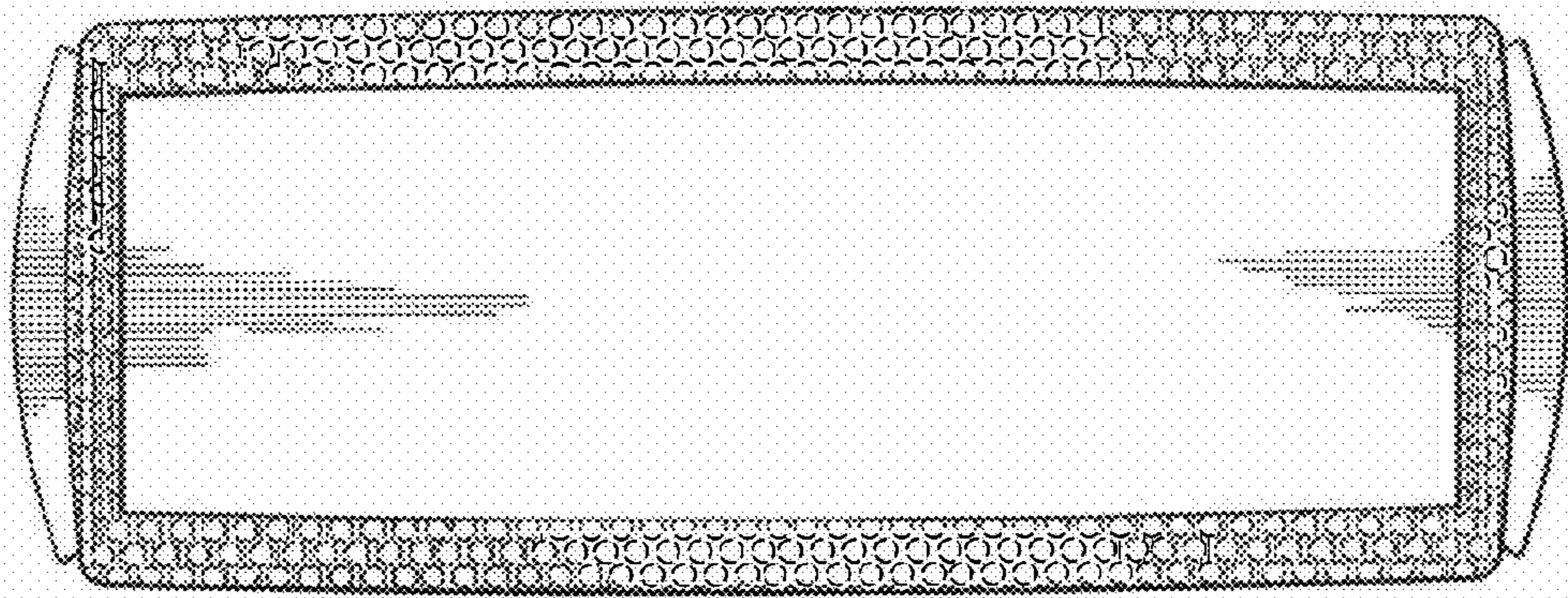


FIG. 5

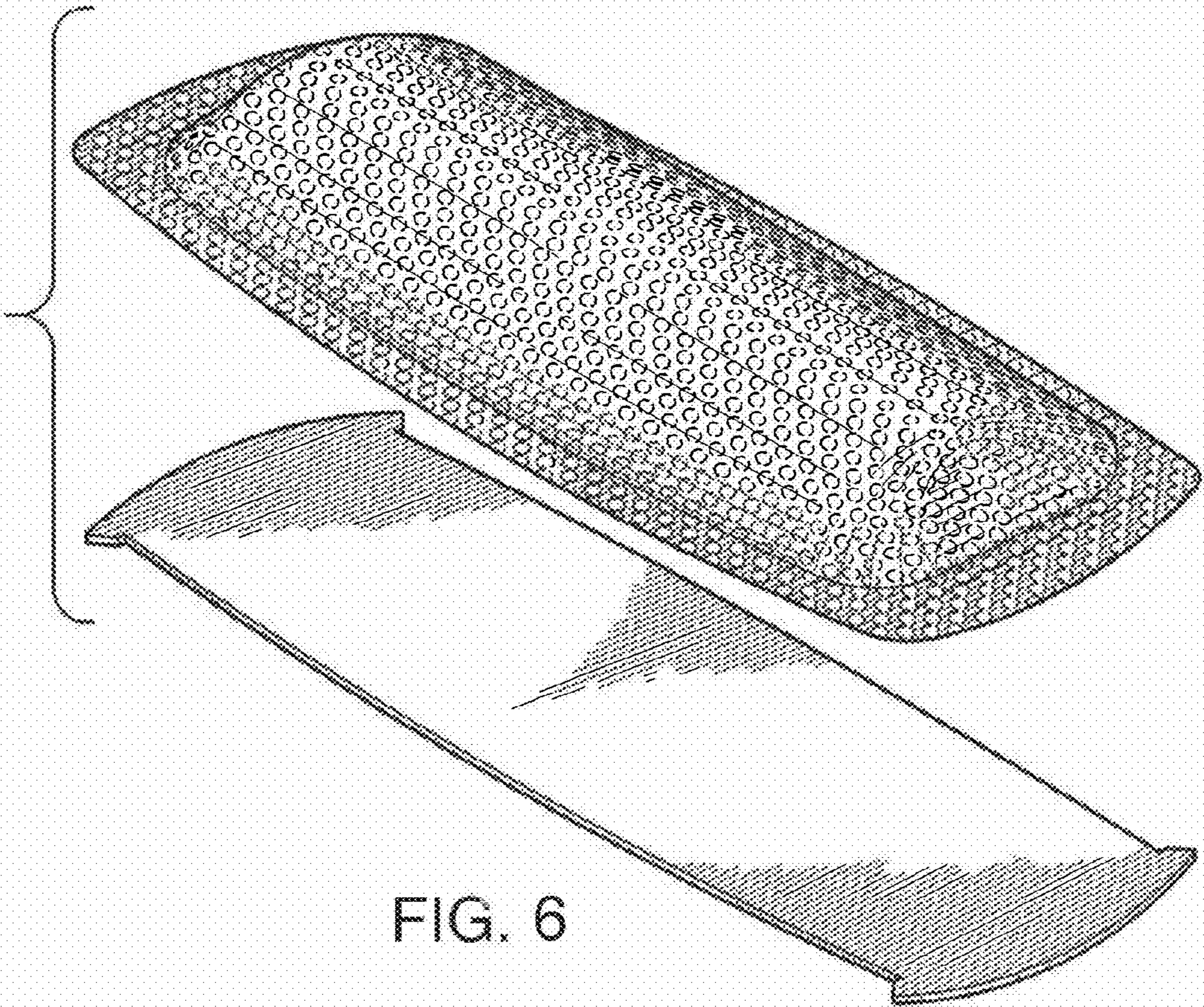


FIG. 6