

US00D703397S

(12) **United States Design Patent**
Sungkyung et al.

(10) **Patent No.:** **US D703,397 S**
(45) **Date of Patent:** **** Apr. 22, 2014**

- (54) **VACUUM CLEANER**
- (71) Applicant: **Samsung Electronics Co., Ltd.**,
Suwon-si (KR)
- (72) Inventors: **Lee Sungkyung**, Kyungki-do (KR);
Chun Dongwon, Paju-si (KR)
- (73) Assignee: **Samsung Electronics Co., Ltd.**,
Suwon-Si (KR)
- (**) Term: **14 Years**
- (21) Appl. No.: **29/443,451**
- (22) Filed: **Jan. 17, 2013**
- (30) **Foreign Application Priority Data**
Aug. 28, 2012 (KR) 30-2012-0041308
- (51) **LOC (10) Cl.** **15-05**
- (52) **U.S. Cl.**
USPC **D32/21**
- (58) **Field of Classification Search**
USPC D32/17-21, 23, 31-33; 15/319-322,
15/307, 327.1, 327.5-327.7, 353,
15/415.1-422, 422.1, 383, 384, 400,
15/340.2, 52.2, 50.2
See application file for complete search history.
- (56) **References Cited**
U.S. PATENT DOCUMENTS
D527,854 S * 9/2006 Marzynski D32/21
D548,411 S * 8/2007 Schroter D32/21

D548,902 S *	8/2007	Chun et al.	D32/21
D548,903 S *	8/2007	Chun et al.	D32/21
D551,815 S *	9/2007	Schroeter	D32/21
D556,961 S *	12/2007	Swyst et al.	D32/21
D593,265 S *	5/2009	Carr et al.	D32/21
D596,815 S *	7/2009	Baek	D32/21
D625,059 S *	10/2010	Morenstein et al.	D32/21
D658,341 S *	4/2012	Nam et al.	D32/21
D659,920 S *	5/2012	Lee et al.	D32/21
D660,132 S *	5/2012	Yoder et al.	D8/354
D661,439 S *	6/2012	Lee et al.	D32/21
D661,440 S *	6/2012	Lee et al.	D32/21
D665,547 S *	8/2012	Nam et al.	D32/21
D669,235 S *	10/2012	Bassett et al.	D32/21
D670,877 S *	11/2012	Geringer et al.	D32/21

* cited by examiner

Primary Examiner — Ruth McInroy

(74) *Attorney, Agent, or Firm* — Ladas & Parry LLP

(57) **CLAIM**

We claim the ornamental design for a vacuum cleaner, as shown and described.

DESCRIPTION

FIG. 1 is a front/right-side/top perspective view of a vacuum cleaner showing our new design;
 FIG. 2 is a front elevational view thereof;
 FIG. 3 is a rear elevational view thereof;
 FIG. 4 is a left-side elevational view thereof;
 FIG. 5 is a right-side elevational view thereof;
 FIG. 6 is a top plan view thereof; and,
 FIG. 7 is a bottom plan view thereof.
 The details shown in broken lines form no part of the claimed design.

1 Claim, 5 Drawing Sheets

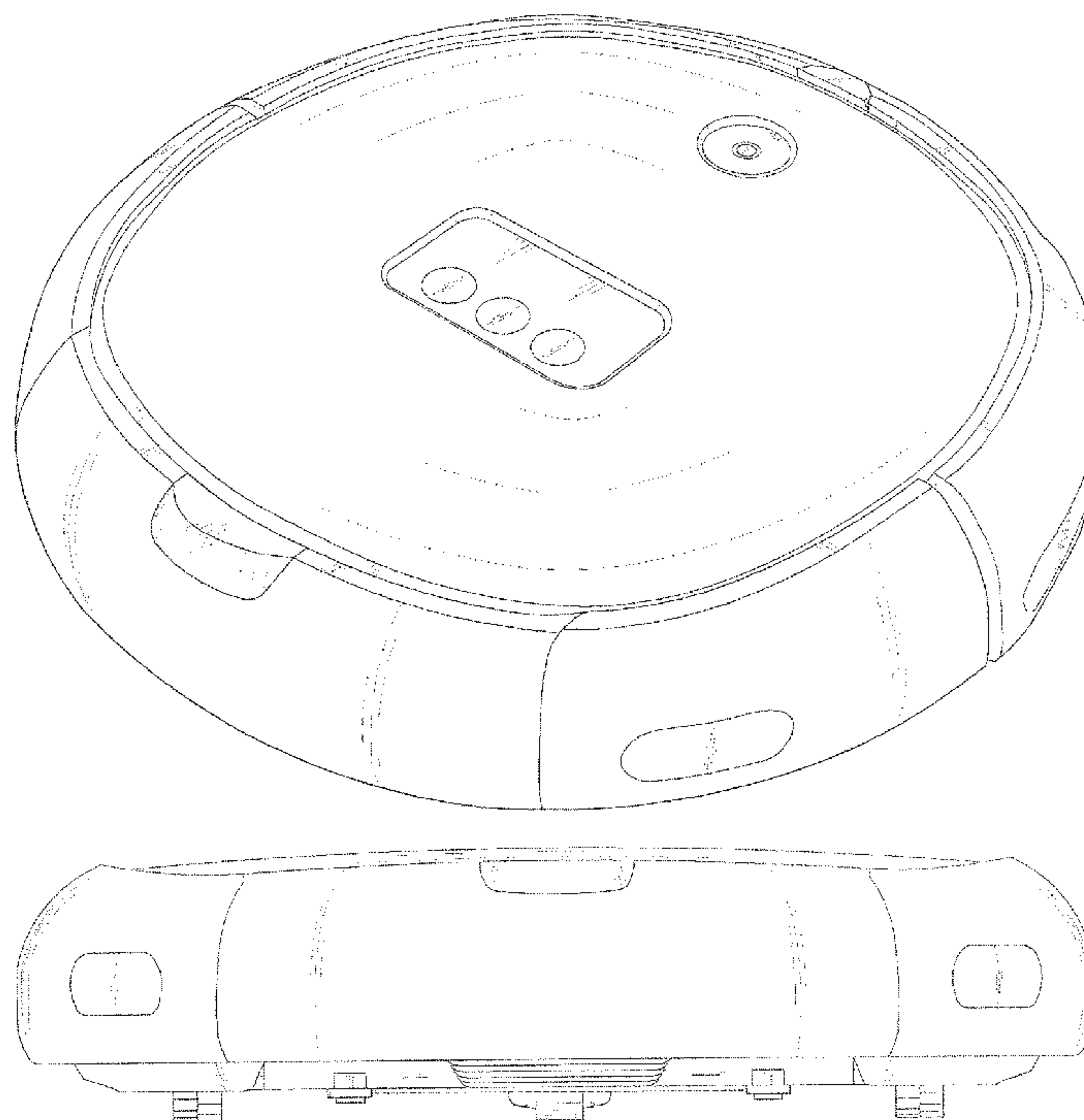


FIG. 1

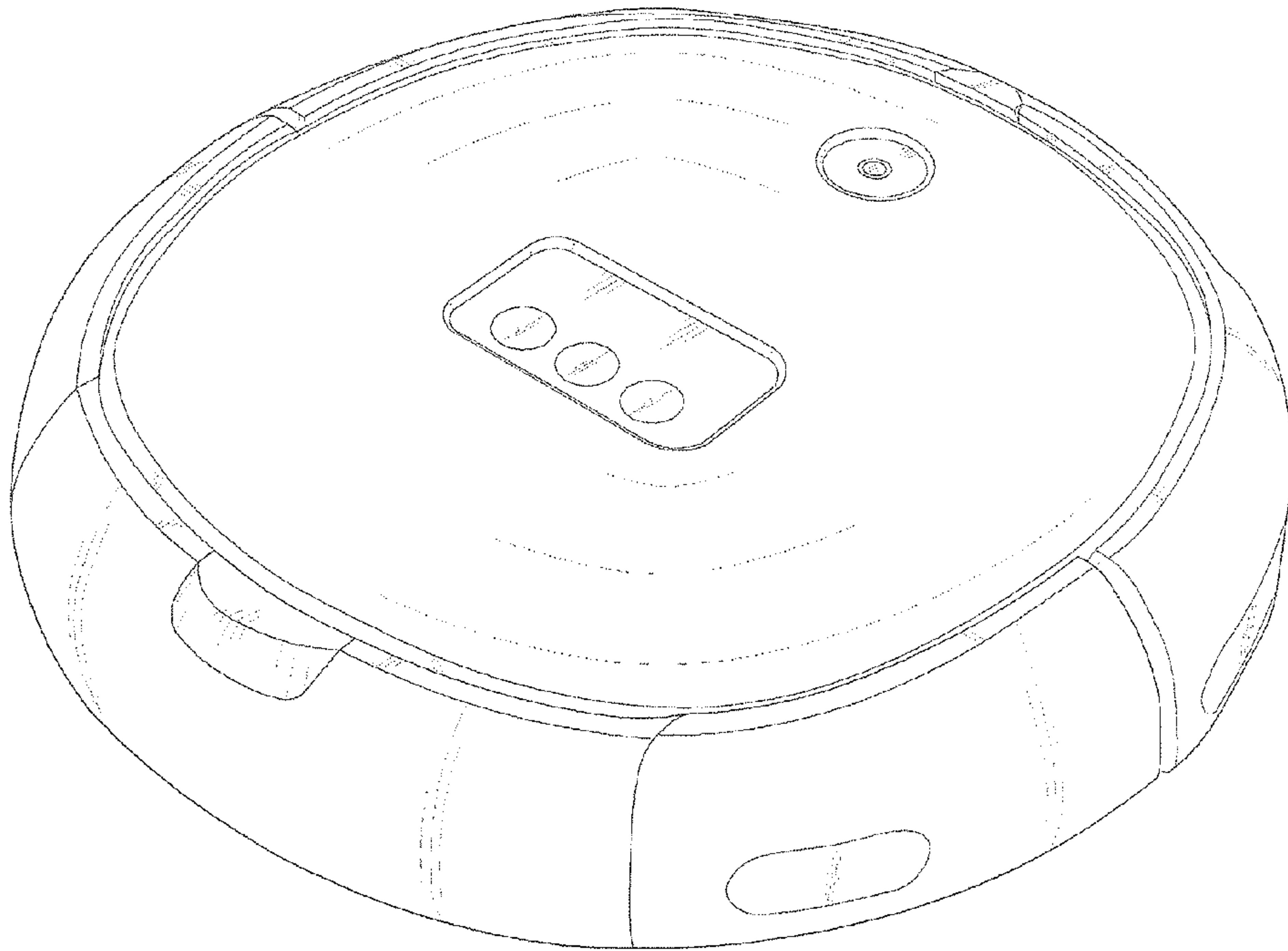


FIG. 2

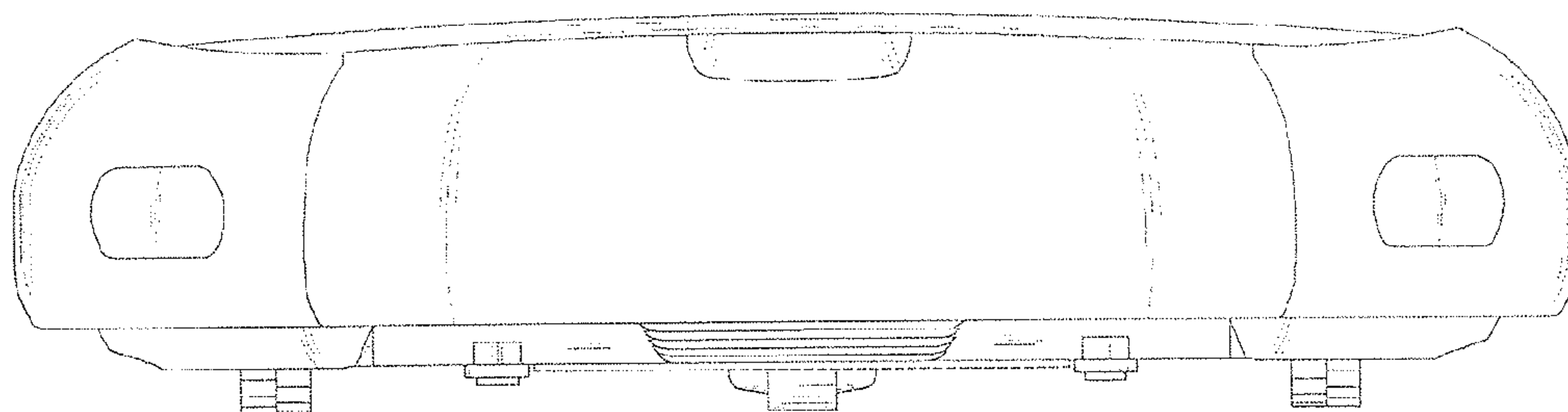


FIG. 3

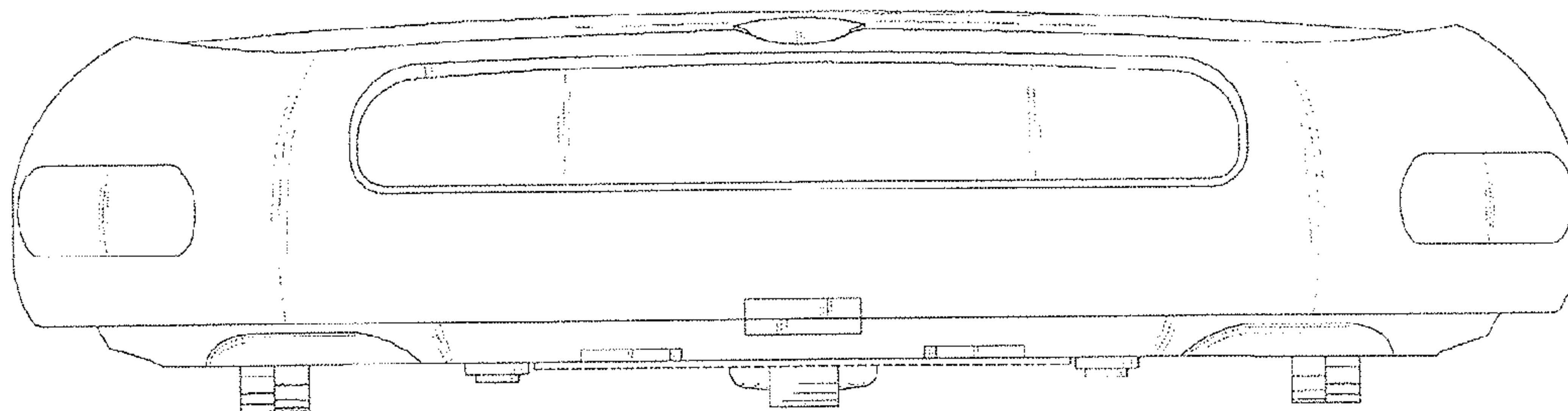


FIG. 4

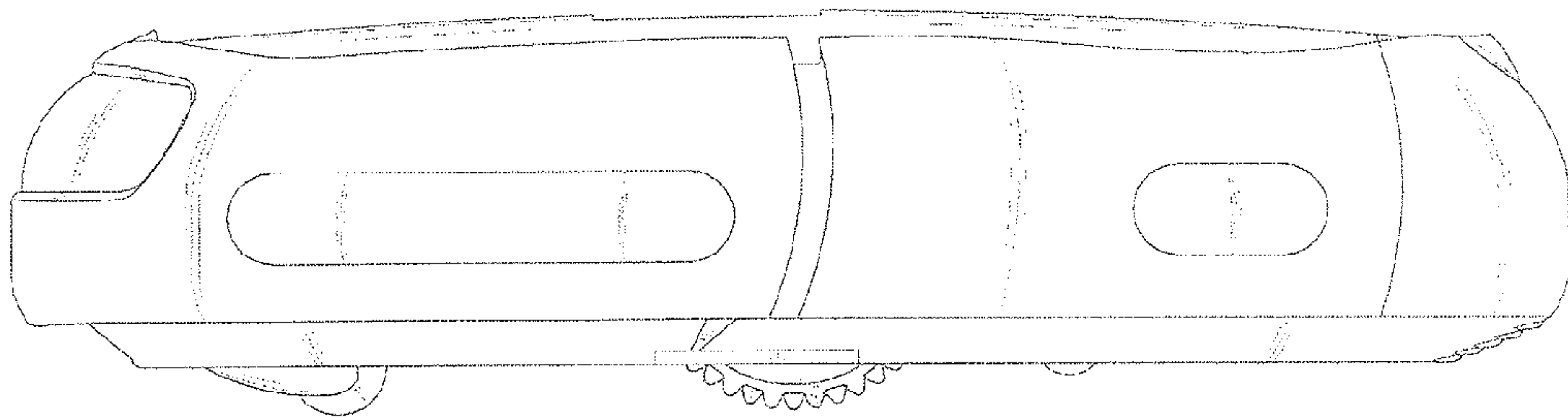


FIG. 5

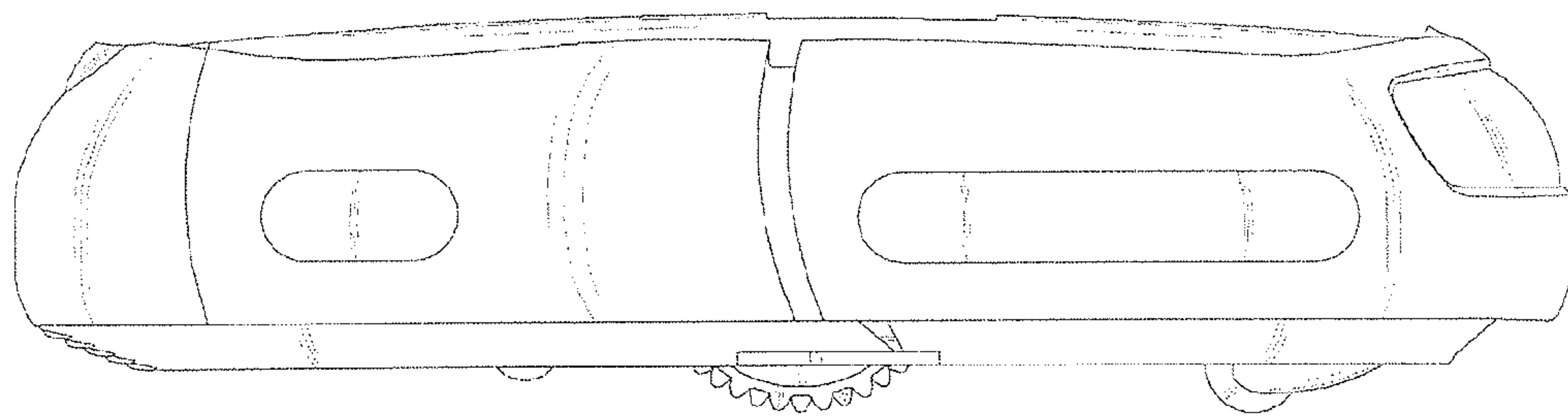


FIG. 6

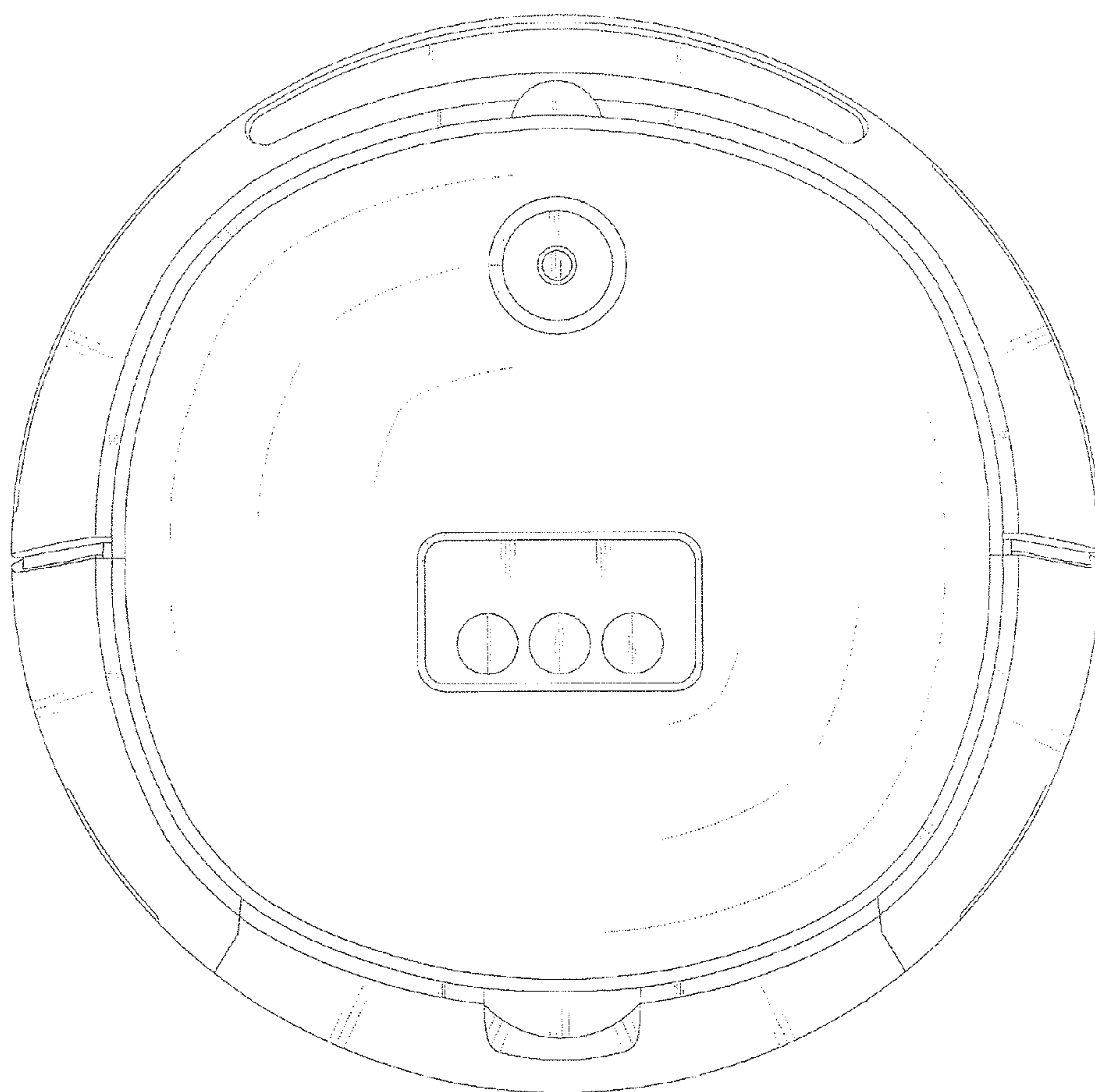


FIG. 7

