



US00D703396S

(12) **United States Design Patent**
Scherrer

(10) **Patent No.:** **US D703,396 S**
(45) **Date of Patent:** **** Apr. 22, 2014**

(54) **DISHWASHER RACK**

(75) Inventor: **Lukas Scherrer**, San Francisco, CA
(US)

(73) Assignee: **Anheuser-Busch InBev, SA**, Brussels
(BE)

(**) Term: **14 Years**

(21) Appl. No.: **29/423,590**

(22) Filed: **Jun. 1, 2012**

(51) **LOC (10) Cl.** **15-05**

(52) **U.S. Cl.**
USPC **D32/3**

(58) **Field of Classification Search**
USPC D32/1, 2, 3, 25, 55; D3/309-314;
134/56 D, 57 D, 58 D, 201;
220/487-488, 507, 518, 555;
206/507-509; 211/41.8, 41.9

See application file for complete search history.

(56) **References Cited**

U.S. PATENT DOCUMENTS

2,059,258	A *	11/1936	Lofstrand, Jr.	220/487
2,741,392	A *	4/1956	Weiss	220/488
2,970,715	A *	2/1961	Kappel et al.	220/516
D201,308	S *	6/1965	Peters	D3/311
D201,309	S *	6/1965	Peters	D3/311

D201,311	S *	6/1965	Peters	D3/311
3,392,869	A *	7/1968	Needt	220/518
3,542,210	A *	11/1970	Sorensen	211/74
3,791,549	A *	2/1974	Delbrouck et al.	220/555
4,249,671	A *	2/1981	Crolli	220/519
D259,818	S *	7/1981	Beavis	D3/311
D327,970	S *	7/1992	Watanabe et al.	D3/313
5,316,172	A *	5/1994	Apps et al.	220/519
6,634,510	B2 *	10/2003	Larson et al.	211/41.8
6,726,031	B2 *	4/2004	Laupan	211/41.8
2003/0178378	A1 *	9/2003	Larson et al.	211/41.8

* cited by examiner

Primary Examiner — T. Chase Nelson

Assistant Examiner — Kathleen M Sims

(74) *Attorney, Agent, or Firm* — Gardere Wynne Sewell LLP

(57) **CLAIM**

The ornamental design for a dishwasher rack, as shown and described.

DESCRIPTION

FIG. 1 is a perspective view of the dishwasher rack.

FIG. 2 is a right side view thereof.

FIG. 3 is a front view thereof.

FIG. 4 is a top plan view thereof.

FIG. 5 is a rear view thereof.

FIG. 6 is a bottom plan view thereof; and,

FIG. 7 is a left side view thereof.

1 Claim, 3 Drawing Sheets

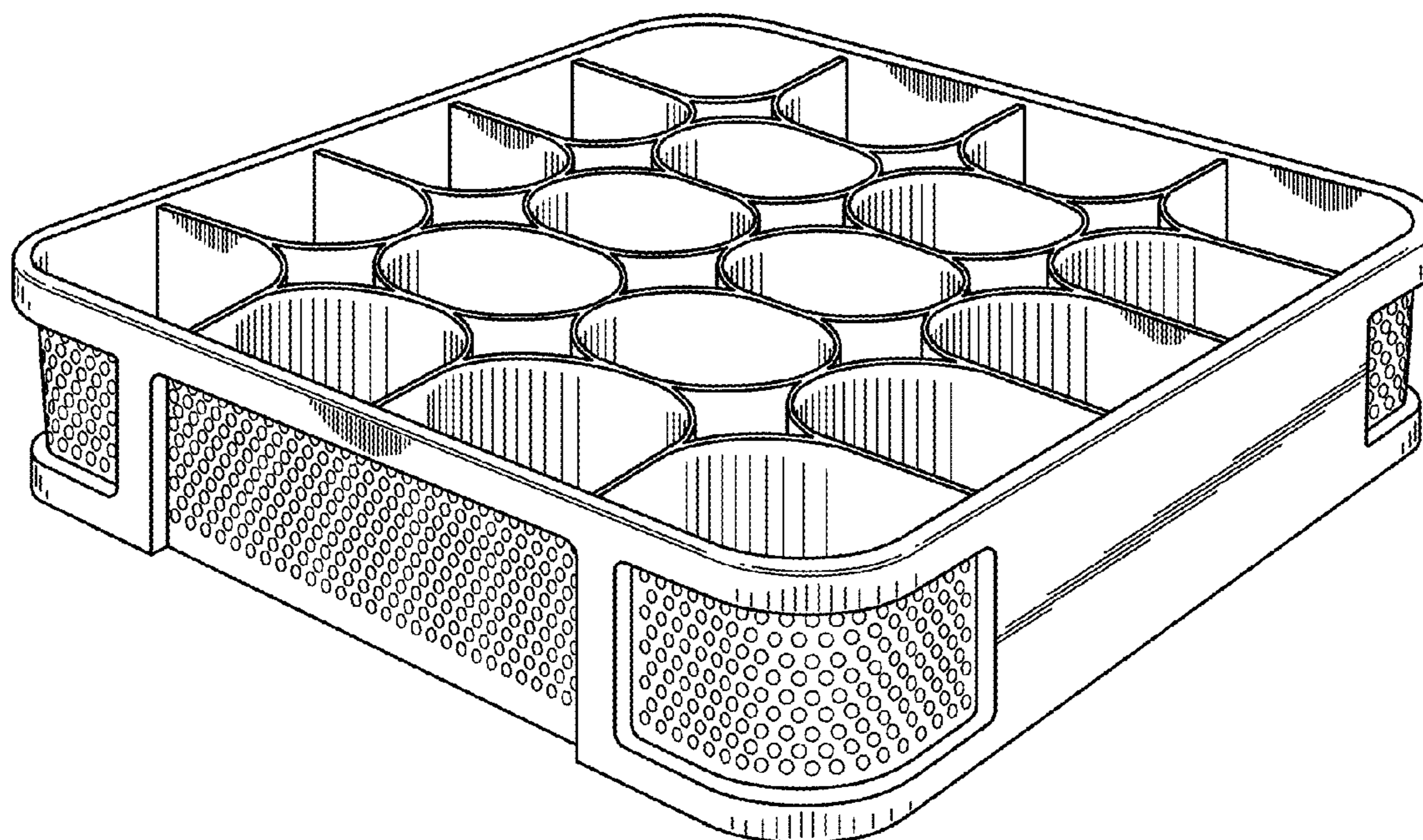


Fig. 1

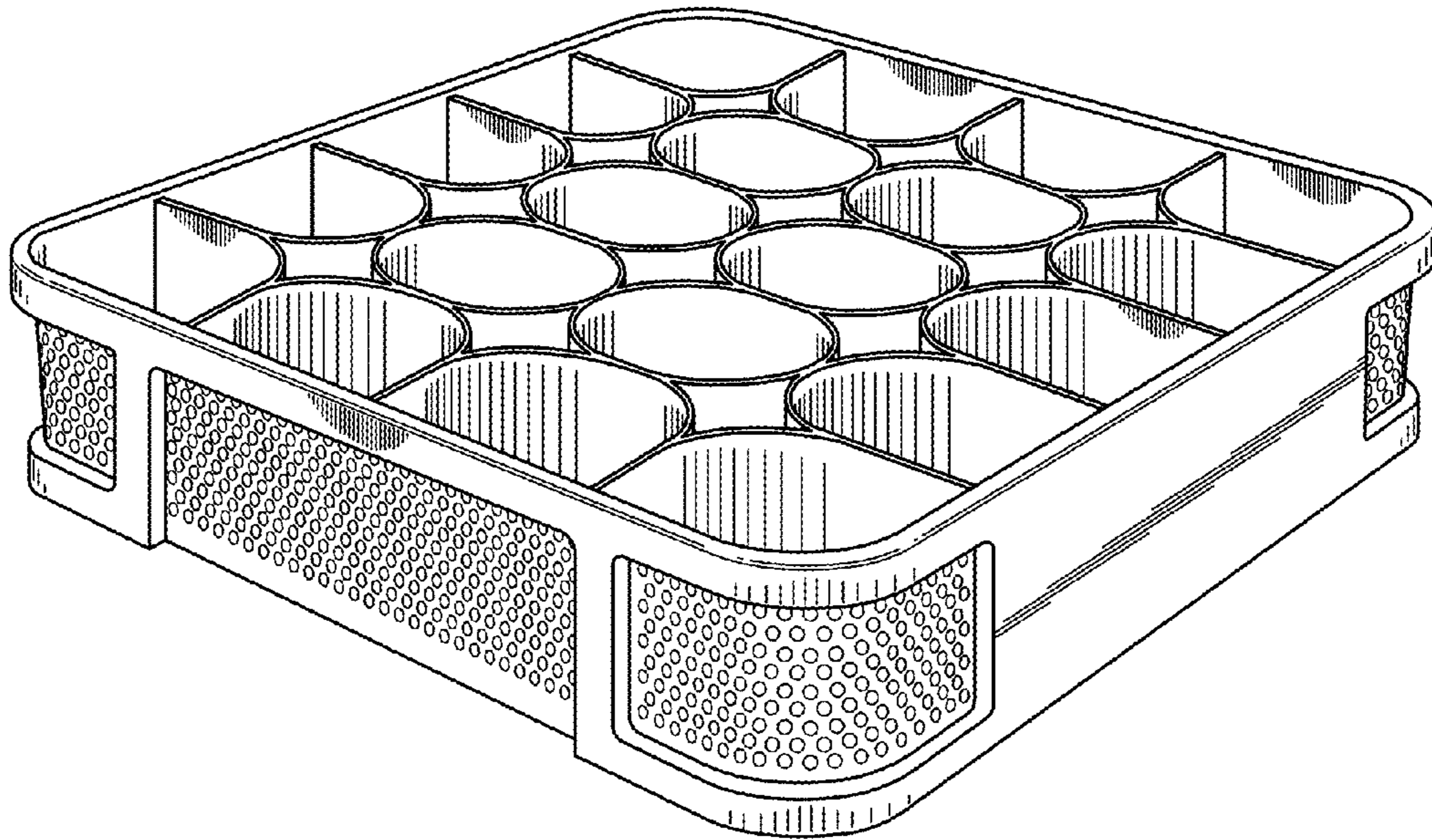


Fig. 2

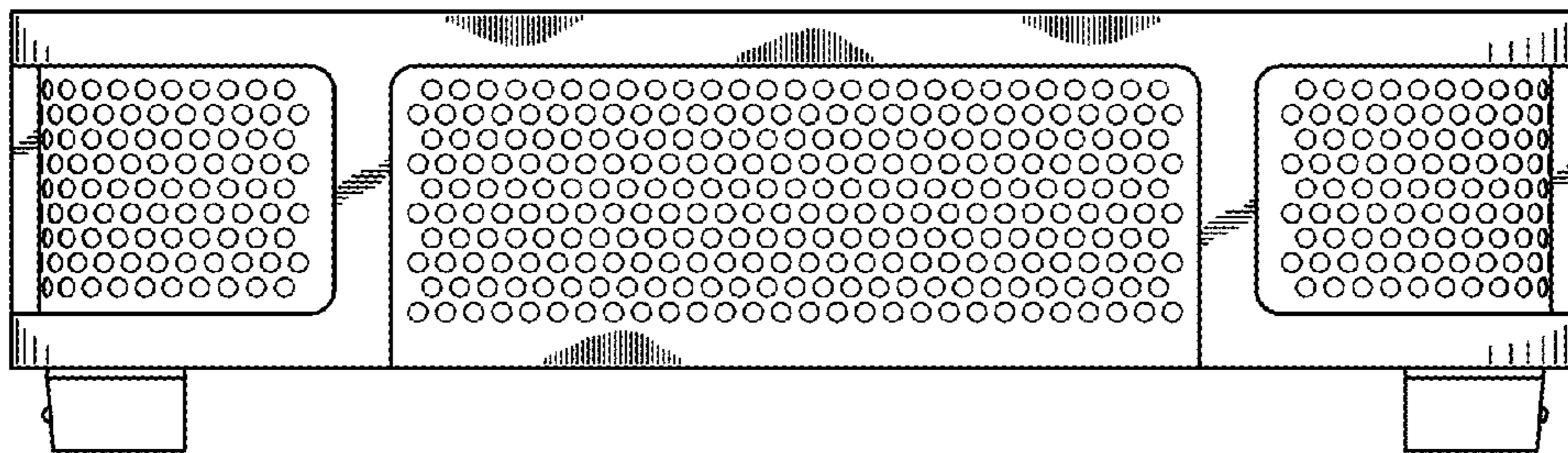
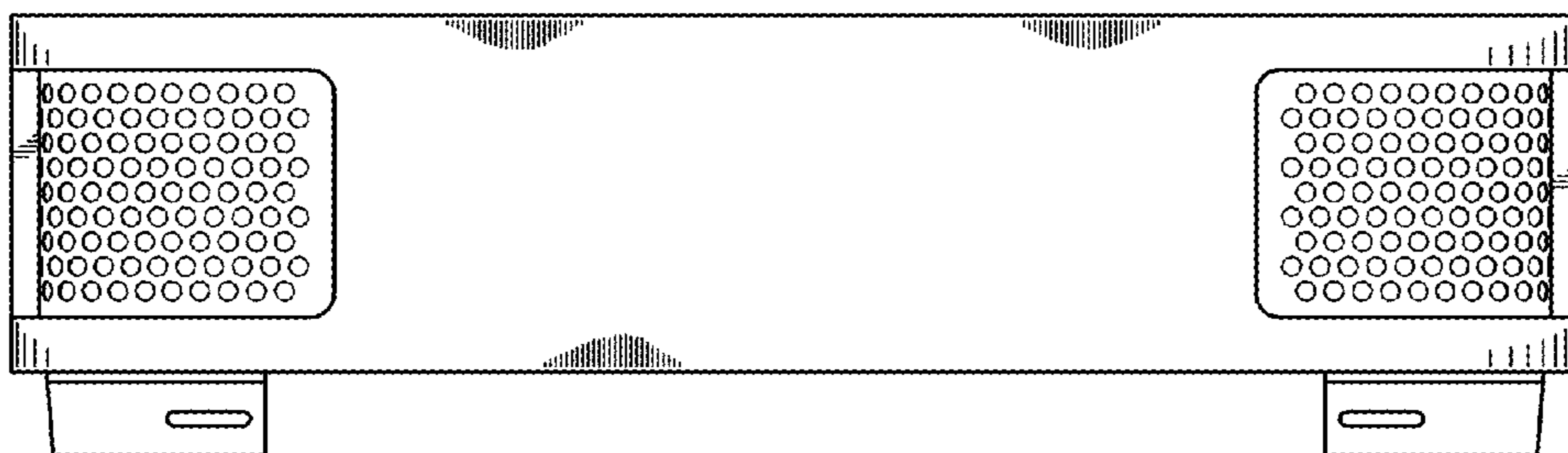


Fig. 3



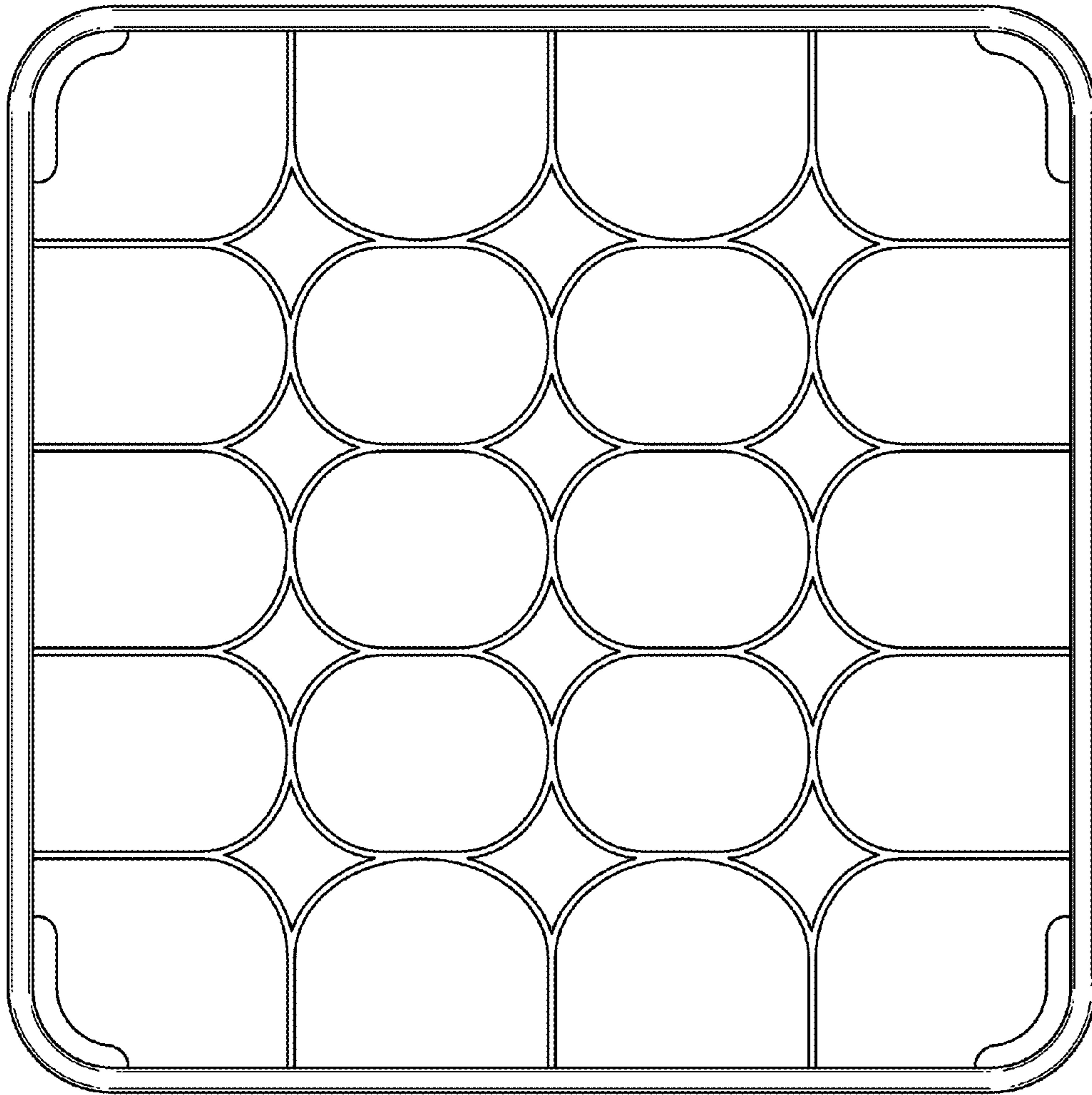
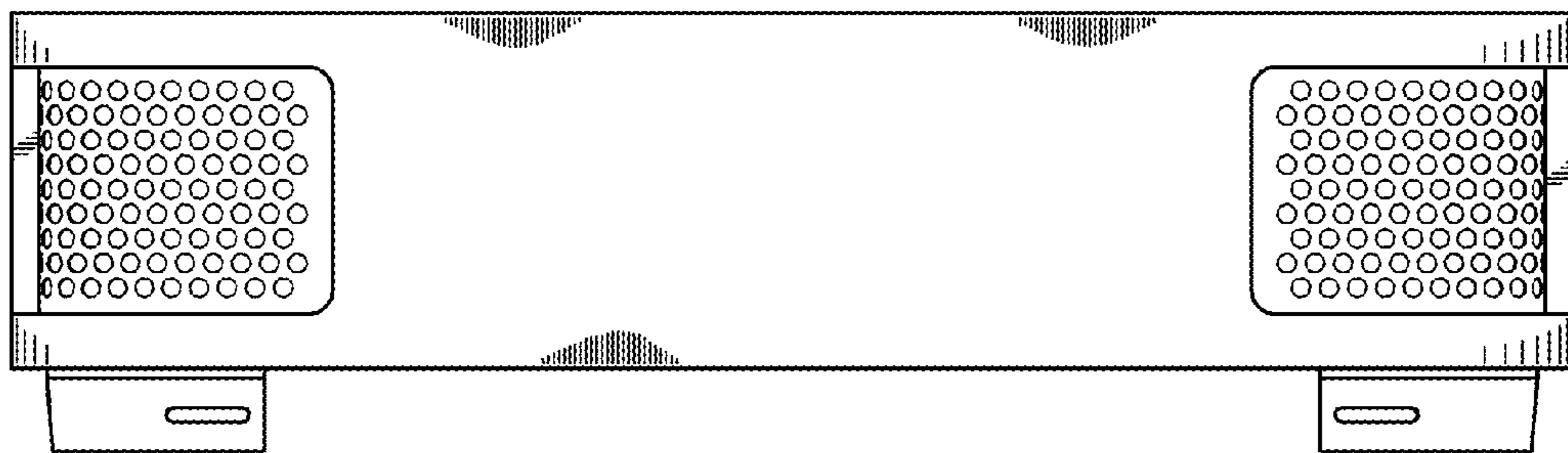


Fig. 4

Fig. 5



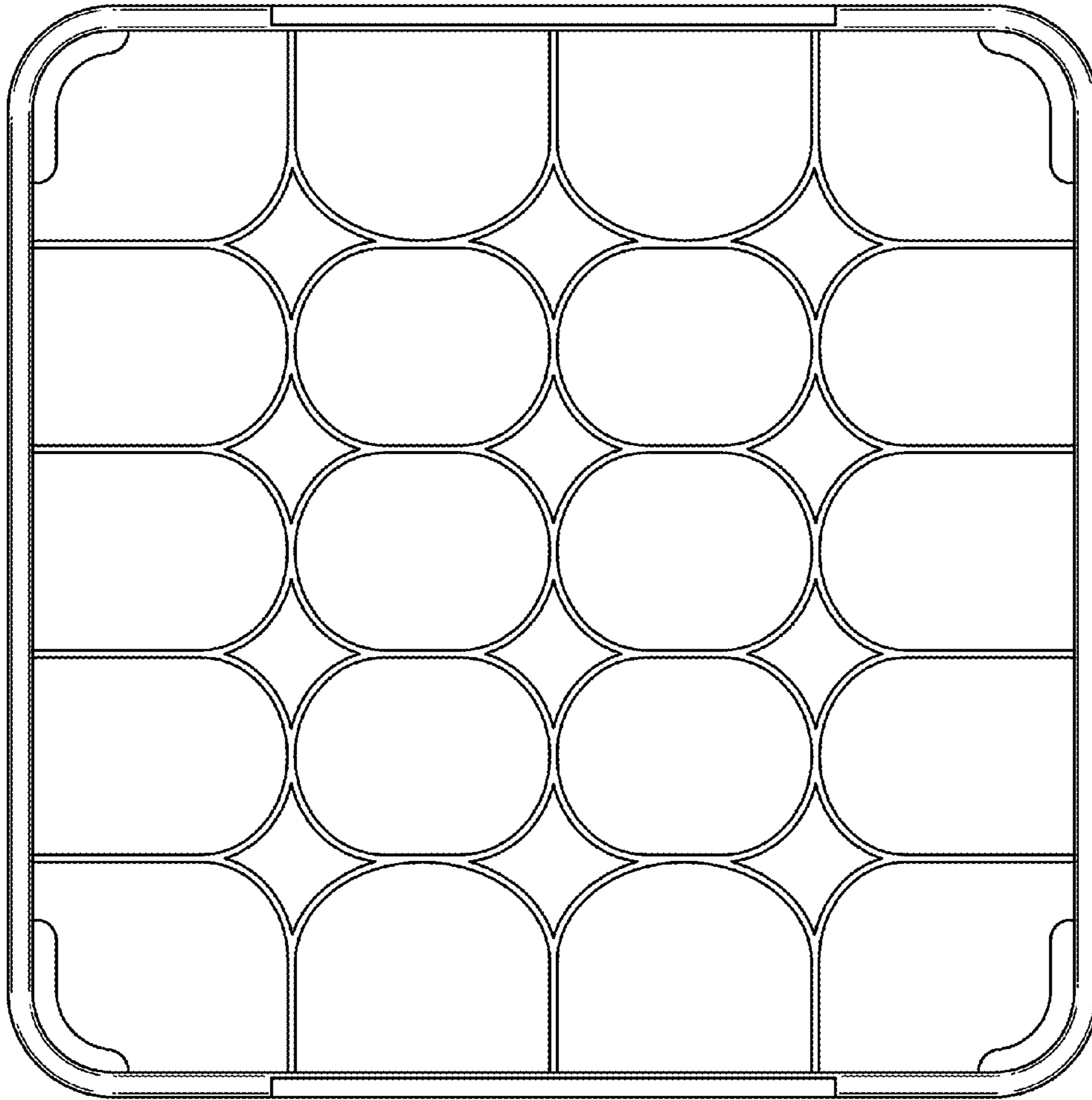


Fig. 6

Fig. 7

