



US00D703395S

(12) **United States Design Patent**  
**Choi et al.**

(10) **Patent No.:** **US D703,395 S**  
(45) **Date of Patent:** **\*\* Apr. 22, 2014**

(54) **DISH WASHER**

(71) Applicant: **Samsung Electronics Co., Ltd.**,  
Suwon-Si (KR)

(72) Inventors: **Yoon-Jung Choi**, Seoul (KR); **Tae Hyoung Cho**, Seoul (KR); **Sungjae Lee**, Kwangmyung-si (KR)

(73) Assignee: **Samsung Electronics Co., Ltd.**,  
Gyeonggi-do (KR)

(\*\*) Term: **14 Years**

(21) Appl. No.: **29/457,971**

(22) Filed: **Jun. 14, 2013**

(30) **Foreign Application Priority Data**

Dec. 17, 2012 (KR) ..... 30-2012-0060863

(51) **LOC (10) Cl.** ..... **15-05**

(52) **U.S. Cl.**  
USPC ..... **D32/2**

(58) **Field of Classification Search**  
USPC ..... D32/1, 2; D15/91; D7/405-406;  
312/31, 204, 228; 134/56 D, 57 D, 58 D,  
134/58 DL, 201; 68/212  
See application file for complete search history.

(56) **References Cited**

**U.S. PATENT DOCUMENTS**

2,703,581 A \* 3/1955 Culhane ..... 134/133  
D493,580 S \* 7/2004 Ott et al. .... D32/3  
D495,102 S \* 8/2004 Kaczmarek ..... D32/3  
D511,403 S \* 11/2005 Ott et al. .... D32/3  
D511,870 S \* 11/2005 Paik ..... D32/2  
D512,543 S \* 12/2005 Jeong ..... D32/2  
D512,544 S \* 12/2005 Jeong et al. .... D32/3

D513,548 S \* 1/2006 Jeong ..... D32/2  
D515,255 S \* 2/2006 Jeong ..... D32/3  
D521,195 S \* 5/2006 Park et al. .... D32/2  
D540,497 S \* 4/2007 Song et al. .... D32/2  
D543,321 S \* 5/2007 Jeon et al. .... D32/2  
D544,657 S \* 6/2007 Jung et al. .... D32/2  
D559,478 S \* 1/2008 Jung et al. .... D32/2  
D571,062 S \* 6/2008 Suh et al. .... D32/2  
D571,963 S \* 6/2008 Jung et al. .... D32/2  
D577,869 S \* 9/2008 Tartan et al. .... D32/2  
D580,460 S \* 11/2008 Crookshanks ..... D15/91

(Continued)

*Primary Examiner* — T. Chase Nelson

*Assistant Examiner* — Kathleen M Sims

(74) *Attorney, Agent, or Firm* — Harness, Dickey & Pierce,  
P.L.C.

(57) **CLAIM**

The ornamental design for a dish washer, as shown and described.

**DESCRIPTION**

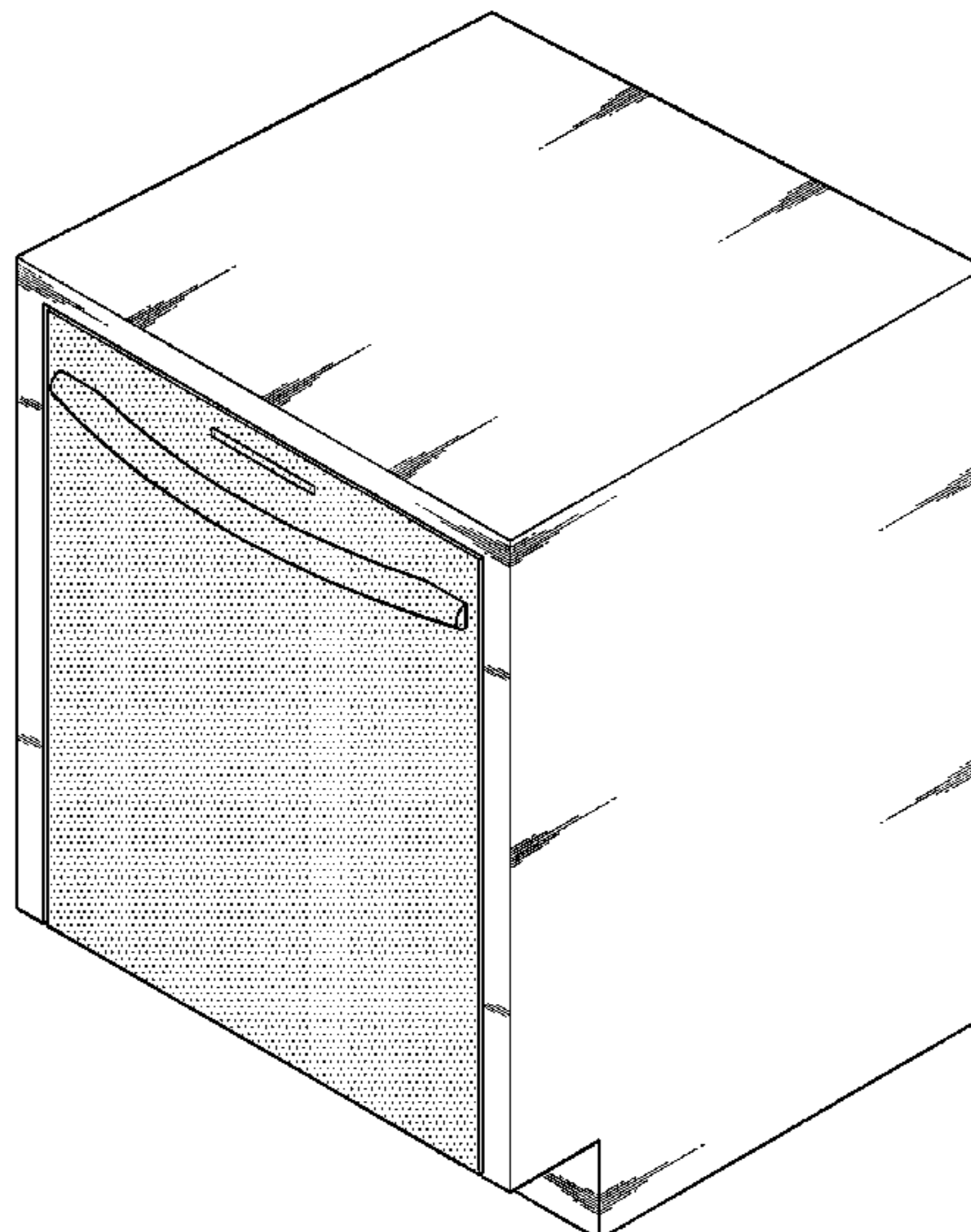
FIG. 1 is the front/right-side/top perspective view of a dish washer showing our new design;  
FIG. 2 is the front elevational view thereof;  
FIG. 3 is the rear elevational view thereof;  
FIG. 4 is the left-side elevational view thereof;  
FIG. 5 is the right-side elevational view thereof;  
FIG. 6 is a top plan view thereof; and,  
FIG. 7 is the bottom plan view thereof.

The surface treatment of the dish washer shown in the figures is environmental matter and forms no part of the claimed design.

The inventors contemplate that other embodiments of their design may include any part, portion, element or combination of elements of the claimed design.

The broken lines shown in the drawings represent unclaimed portions of dish washer.

**1 Claim, 7 Drawing Sheets**



(56)

**References Cited**

U.S. PATENT DOCUMENTS

D581,108 S *	11/2008	Jung et al. ....	D32/2	D627,939 S *	11/2010	Kim .....	D32/2
D622,914 S *	8/2010	Crookshanks et al. ....	D32/3	D649,833 S *	12/2011	Browne et al. ....	D7/405
D622,915 S *	8/2010	Crookshanks et al. ....	D32/3	D681,290 S *	4/2013	Eng et al. ....	D32/3
				D682,491 S *	5/2013	Kim et al. ....	D32/2
				2011/0031856 A1 *	2/2011	Haltmayer et al. ....	312/228

\* cited by examiner

FIG. 1

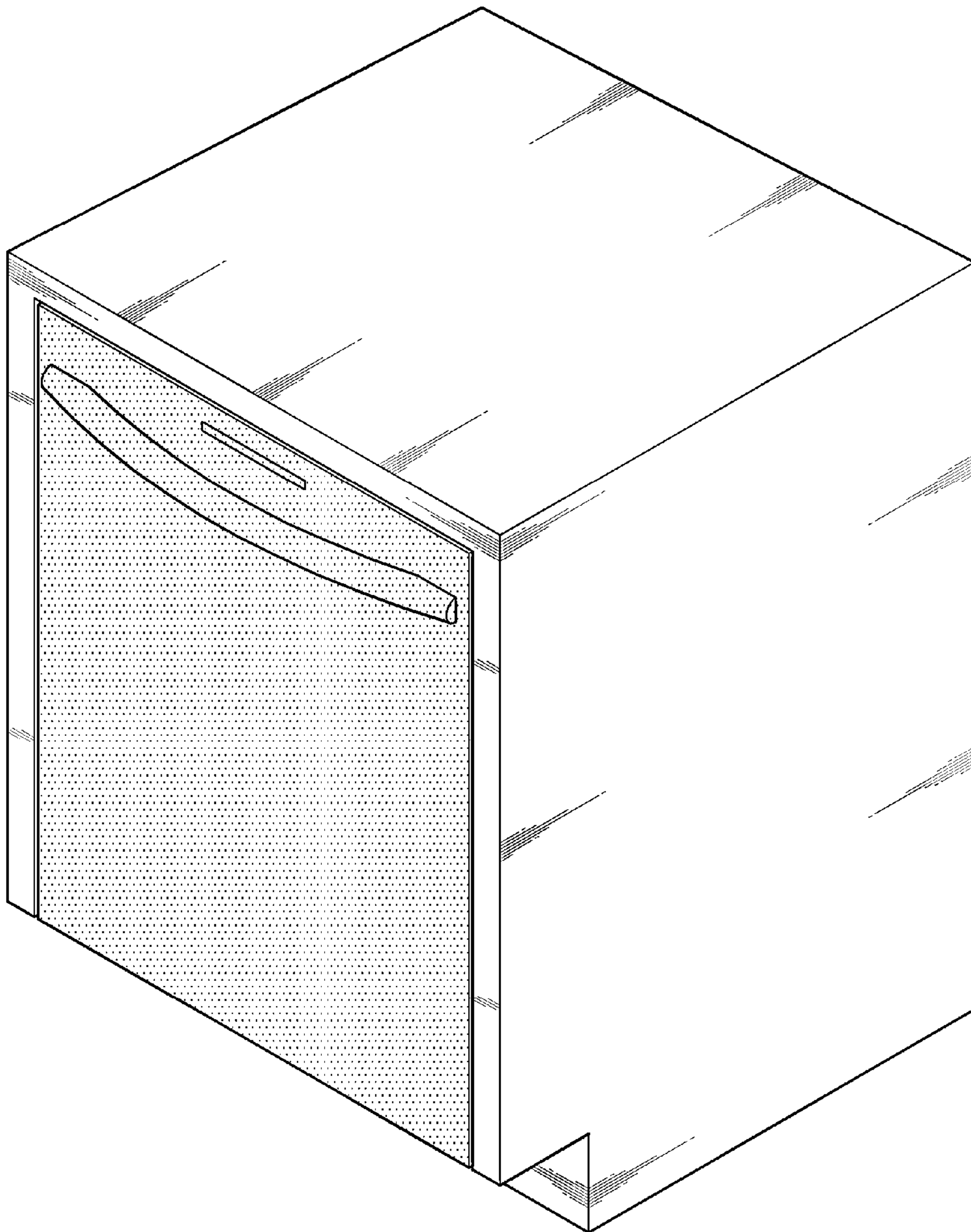


FIG. 2

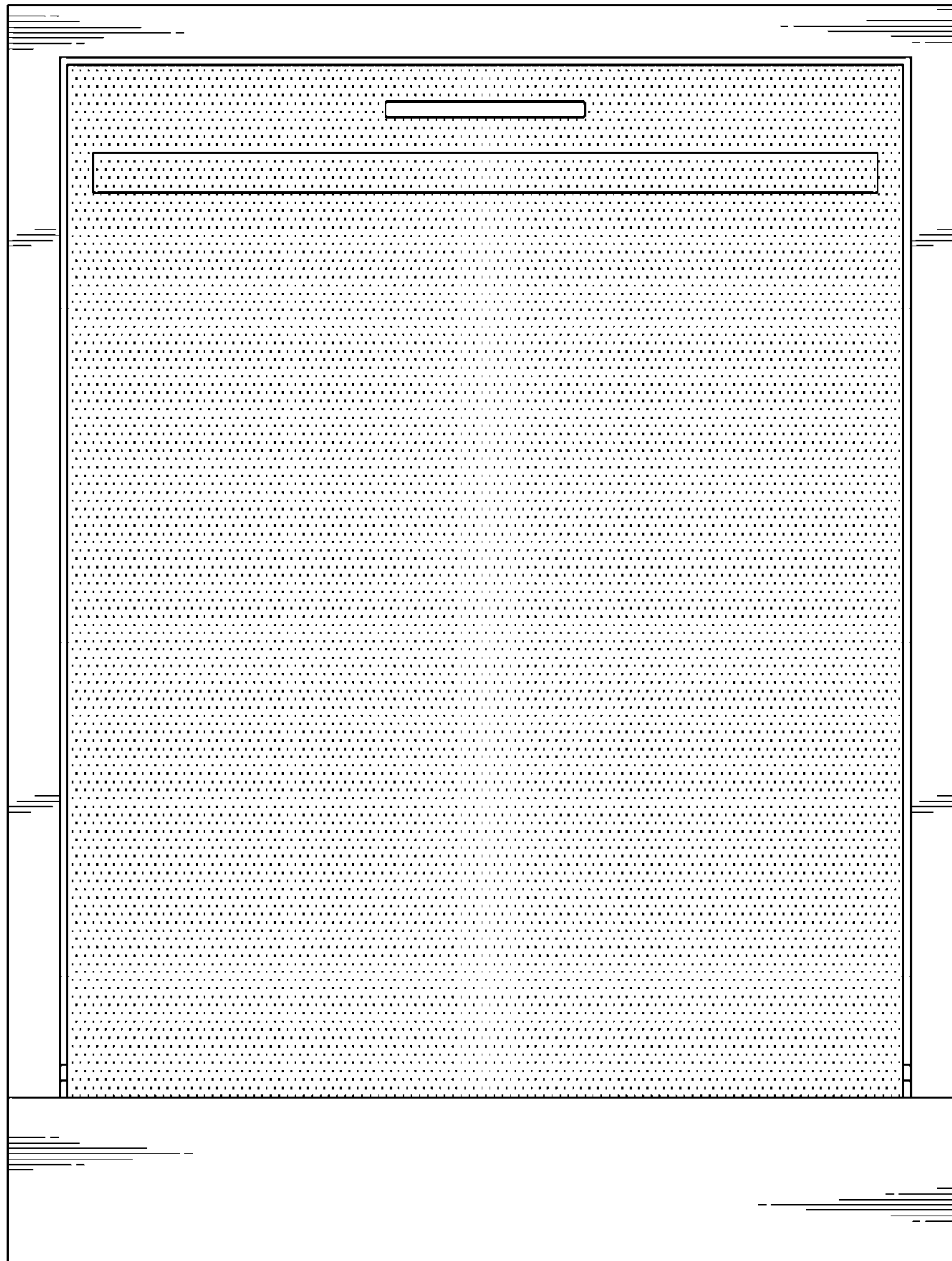


FIG. 3

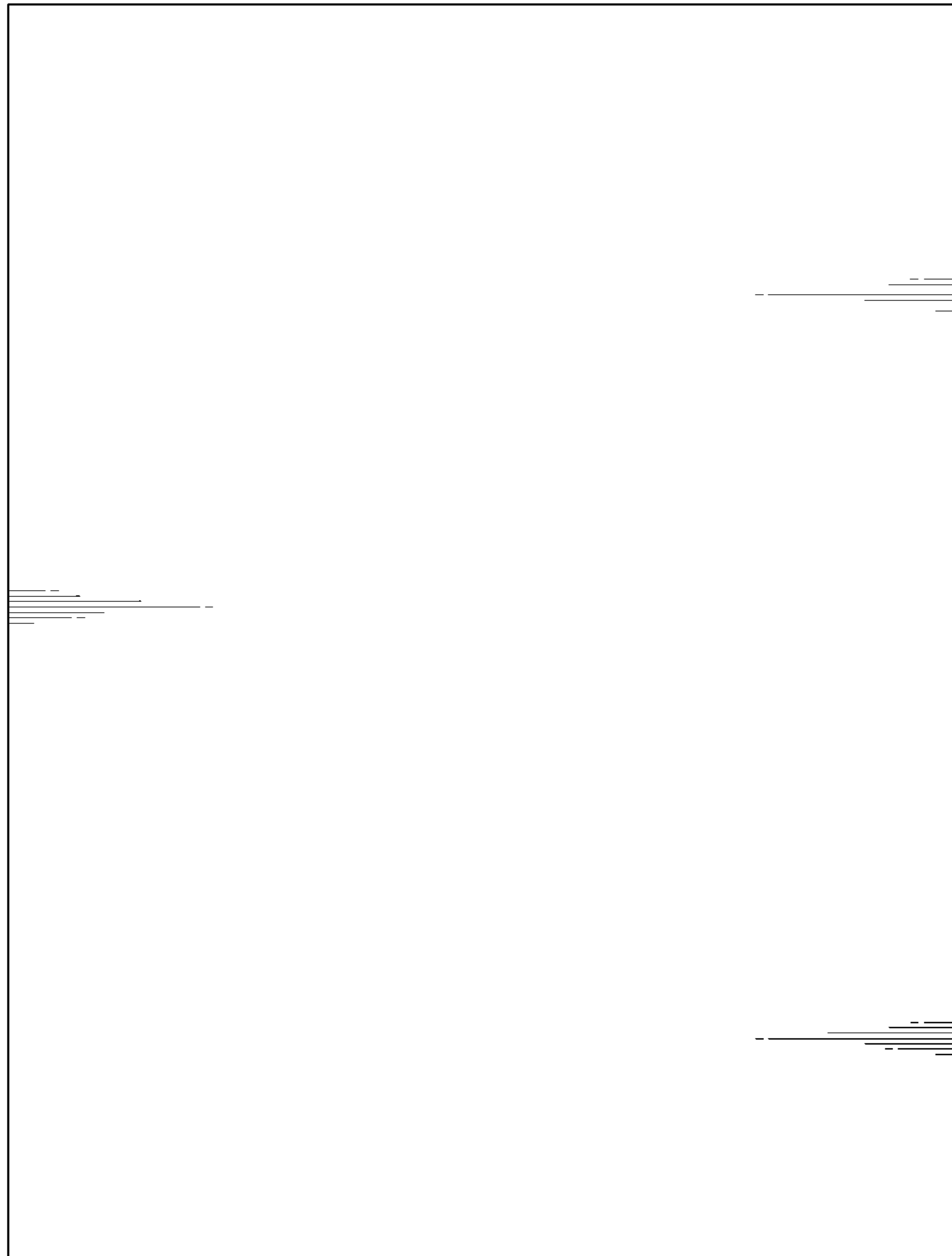


FIG. 4

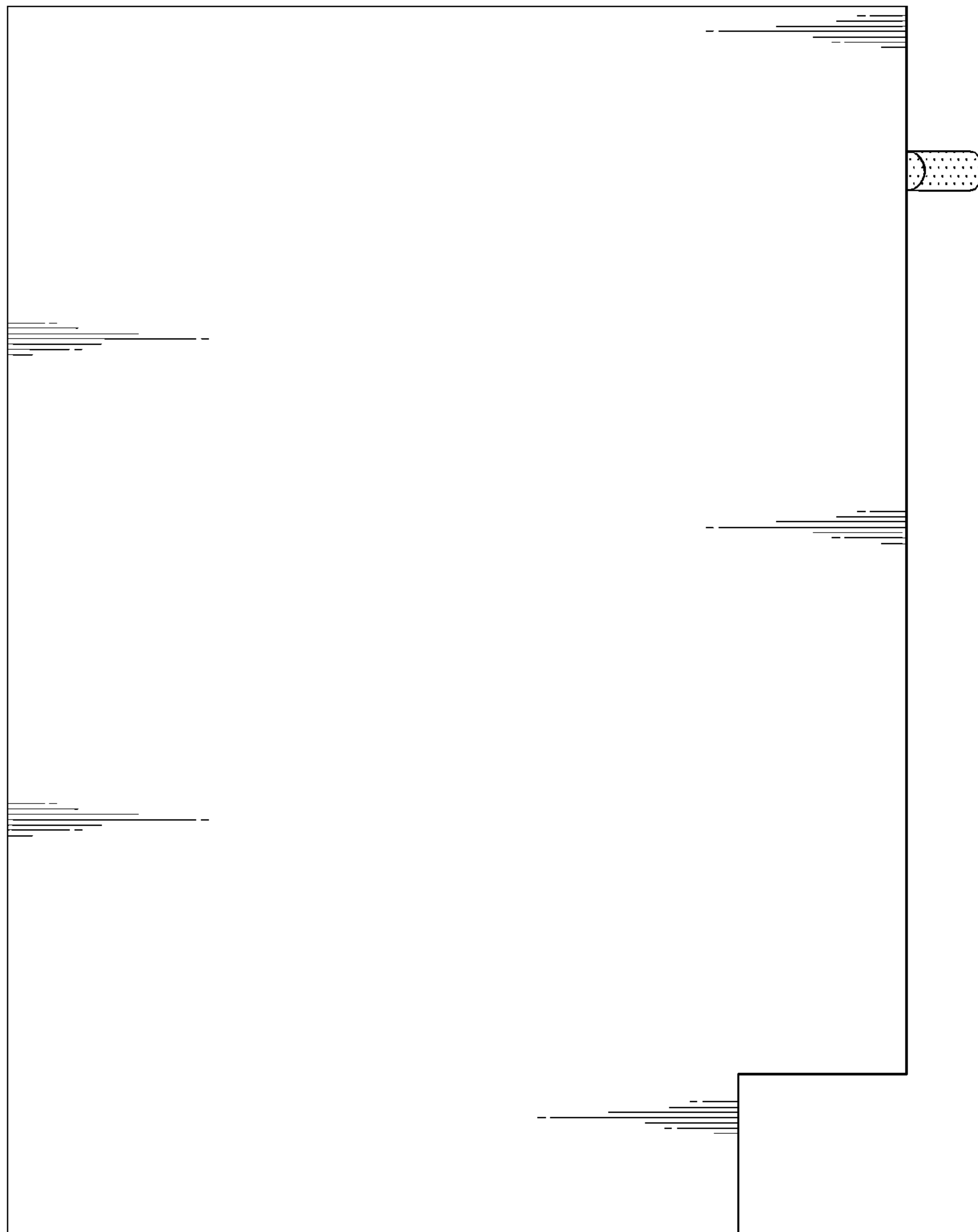


FIG. 5

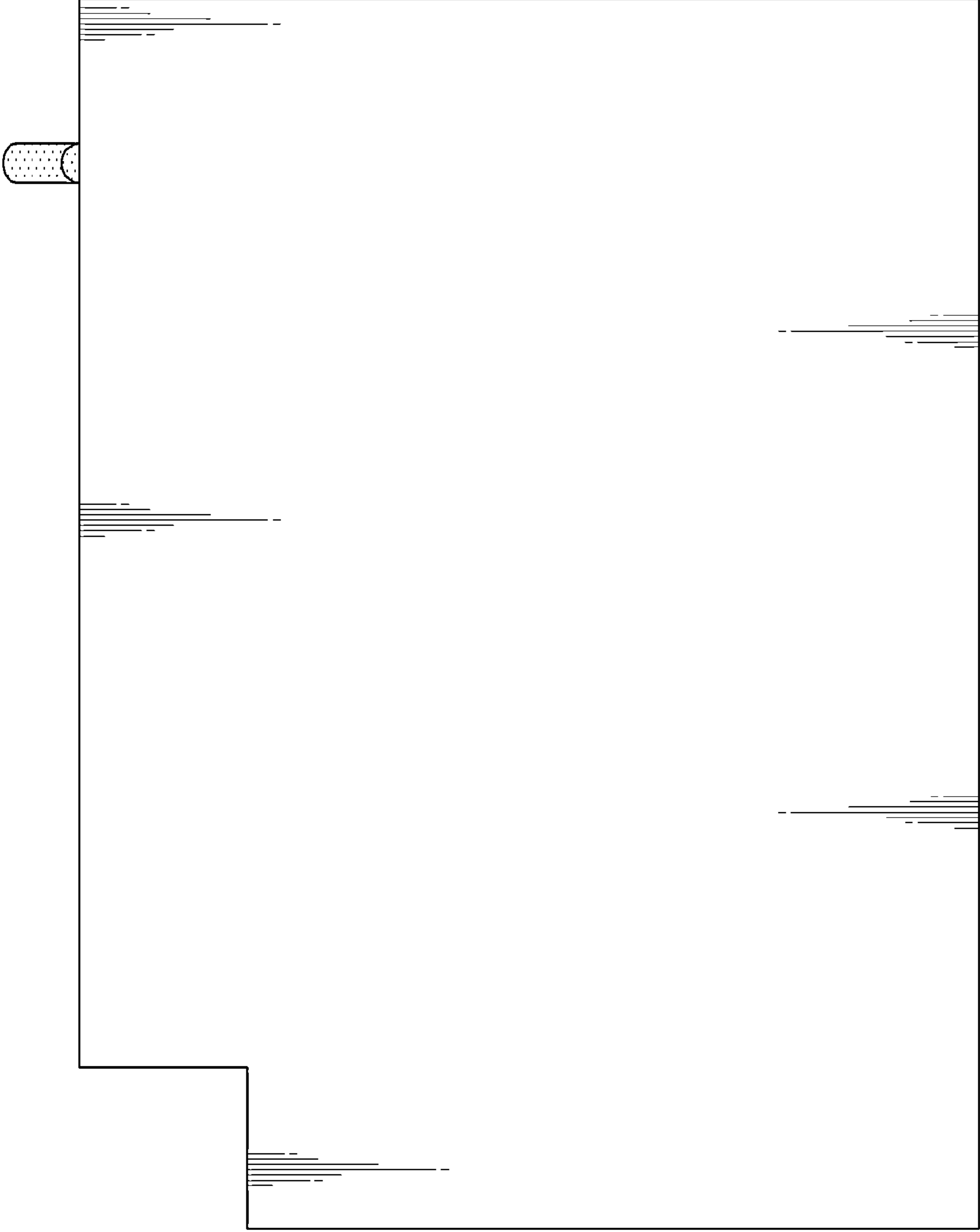


FIG. 6

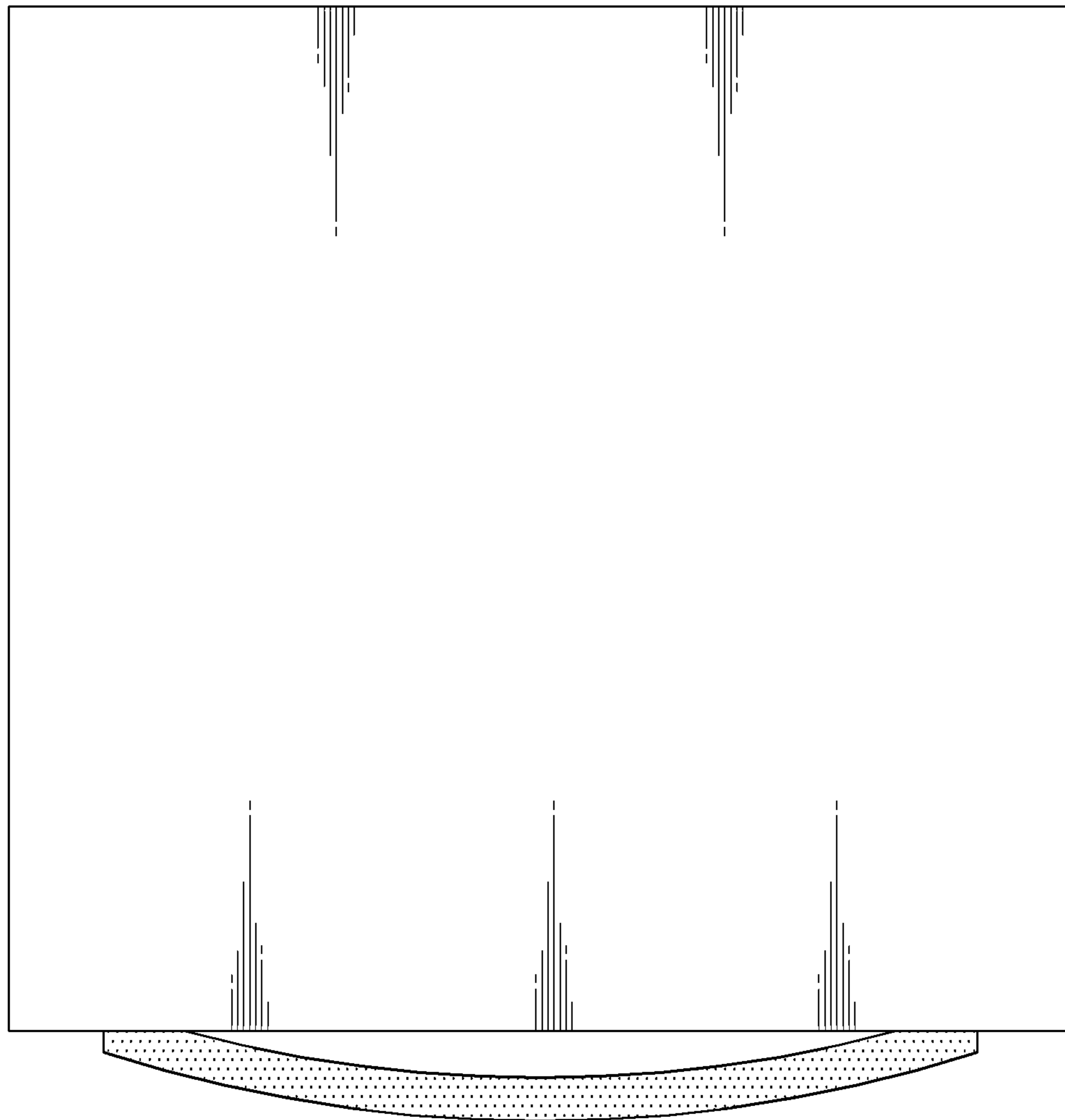




FIG. 7

