



US00D703393S

(12) **United States Design Patent**
Henley

(10) **Patent No.:** **US D703,393 S**

(45) **Date of Patent:** **** Apr. 22, 2014**

(54) **SPILL PROOF DOG DISH**

(76) Inventor: **Julie Henley**, Treasure Island, FL (US)

(**) Term: **14 Years**

(21) Appl. No.: **29/413,343**

(22) Filed: **Feb. 14, 2012**

(51) **LOC (10) Cl.** **30-03**

(52) **U.S. Cl.**
USPC **D30/129**

(58) **Field of Classification Search**

USPC D30/121, 122, 129-133; 119/61.5,
119/51.01, 61.56, 51.03, 59, 62, 63, 51.5,
119/57.8, 74, 61.54, 61.55; 312/204;
248/151, 188; 108/156, 153.1-157;
220/23.87, 630, 737, 743, 9.4, 495.01,
220/574, 212, 255, 23.83; 206/515;
D7/586, 543, 550.1, 587, 505, 584,
D7/545, 500, 553.1-553.8, 546, 555, 556,
D7/504, 565, 562, 602; D9/429; 43/109;
D22/122; 99/430, DIG. 15

See application file for complete search history.

(56) **References Cited**

U.S. PATENT DOCUMENTS

3,076,435 A * 2/1963 Seymour 119/77
3,266,533 A * 8/1966 McHale 141/364
3,745,977 A * 7/1973 Martin 119/73
D230,034 S * 1/1974 Goldman et al. D30/129
4,286,546 A * 9/1981 Moore 119/61.54
4,436,056 A 3/1984 MacLeod
D279,175 S * 6/1985 Eklof D11/164
4,886,016 A 12/1989 Atchley
5,297,504 A 3/1994 Carrico
5,341,596 A * 8/1994 Kao 47/79
5,524,823 A * 6/1996 Miller 239/29
D381,472 S 7/1997 Catalano et al.
D383,571 S * 9/1997 Frodsham D30/132
D397,315 S * 8/1998 Oglesby D11/152

5,791,287 A 8/1998 Gruber
5,857,427 A * 1/1999 Kelley 119/61.56
5,881,670 A * 3/1999 Pelsor 119/61.54
D412,605 S * 8/1999 Sharon D30/129
5,960,740 A 10/1999 Pelsor
5,975,016 A 11/1999 Wesenhagen
6,032,824 A * 3/2000 Barrow 220/621
D424,757 S * 5/2000 Cooper et al. D30/129
6,101,974 A * 8/2000 Frohlich 119/51.5
D432,280 S 10/2000 Quinlan et al.
6,142,101 A 11/2000 Pelsor
D435,480 S * 12/2000 Carlson D11/144
D454,990 S * 3/2002 Lorenzana D30/129
D471,677 S * 3/2003 Northrop D30/129

(Continued)

FOREIGN PATENT DOCUMENTS

GB 1428356 3/1976

Primary Examiner — Susan Moon Lee

(74) *Attorney, Agent, or Firm* — Larson & Larson, P.A.;
Frank Liebenow; Justin P. Miller

(57) **CLAIM**

I claim the ornamental design for a spill proof dog dish, as shown and described.

DESCRIPTION

FIG. 1 is a front elevation view of the spill proof dog dish showing my new design;

FIG. 2 is a rear elevation view thereof;

FIG. 3 is a left side view thereof;

FIG. 4 is a right side view thereof;

FIG. 5 is a top plan view thereof;

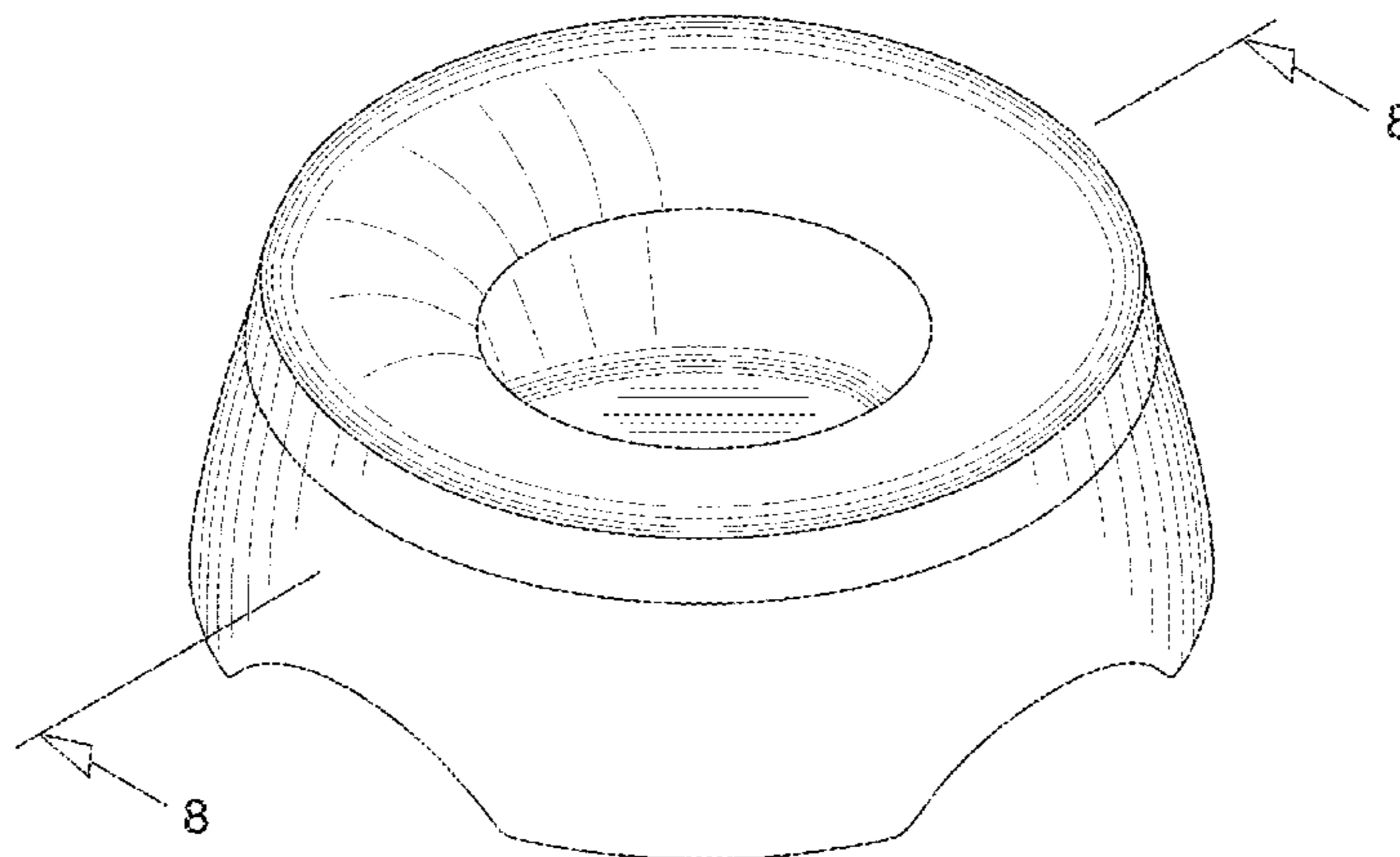
FIG. 6 is a bottom plan view thereof;

FIG. 7 is a perspective view thereof; and,

FIG. 8 is a cross-sectional view.

The broken lines depicting part of the feet in FIGS. 1-8 are for illustrative purposes only and form no part of the claimed design.

1 Claim, 5 Drawing Sheets



(56)

References Cited

U.S. PATENT DOCUMENTS

D472,021	S *	3/2003	Northrop	D30/129	8,397,676	B2 *	3/2013	Whitney	119/72
6,866,005	B1	3/2005	Bunker			D679,553	S *	4/2013	Williams et al.	D7/619.1
D504,196	S *	4/2005	Huthmaker et al.	D30/129	8,534,632	B1 *	9/2013	Mancuso, Jr.	248/346.5
D504,197	S *	4/2005	Huthmaker et al.	D30/129	2004/0231607	A1 *	11/2004	Hollinger	119/61.54
7,017,518	B2	3/2006	Zolnierz et al.			2005/0039689	A1 *	2/2005	Mossmer	119/61.5
D538,981	S	3/2007	Skowronski			2005/0173434	A1 *	8/2005	O'Neal	220/212
7,270,082	B2 *	9/2007	Plante	119/74	2006/0060149	A1	3/2006	Skowronski		
7,296,539	B2 *	11/2007	Iljas	119/61.54	2007/0089678	A1 *	4/2007	Greenwood	119/61.5
D575,581	S *	8/2008	Harris	D7/396.6	2007/0151010	A1	7/2007	Ellerbe		
D576,448	S *	9/2008	Harris	D7/505	2007/0199512	A1 *	8/2007	Ellis	119/61.54
7,487,741	B2 *	2/2009	Jordan	119/61.54	2007/0245968	A1 *	10/2007	Iljas	119/61.54
D590,109	S *	4/2009	Anderson et al.	D30/129	2007/0267411	A1	11/2007	Shepard		
D593,364	S *	6/2009	Harris	D7/505	2008/0022937	A1	1/2008	Shirley		
D600,861	S *	9/2009	Sin	D30/129	2008/0072831	A1 *	3/2008	Jordan	119/61.55
D600,862	S *	9/2009	Sin	D30/129	2008/0078330	A1	4/2008	McCallum et al.		
7,600,486	B2 *	10/2009	Ellis	119/61.5	2009/0126641	A1 *	5/2009	Anderson et al.	119/61.5
D622,011	S *	8/2010	Yowell	D30/129	2010/0012042	A1 *	1/2010	Lee	119/61.5
D625,885	S *	10/2010	Bianchi	D30/129	2010/0043715	A1 *	2/2010	Carter et al.	119/61.55
7,849,817	B1 *	12/2010	Warganich	119/77	2010/0077963	A1 *	4/2010	Lipscomb et al.	119/54
7,856,944	B1 *	12/2010	Stauffer	119/61.5	2010/0275852	A1 *	11/2010	Lipscomb et al.	119/61.5
D636,945	S *	4/2011	Anderson et al.	D30/129	2011/0067638	A1 *	3/2011	Lipscomb et al.	119/74
D648,904	S *	11/2011	Tedaldi et al.	D30/129	2011/0114026	A1 *	5/2011	Lathim	119/72
D655,054	S *	2/2012	Lipscomb et al.	D30/129	2011/0214613	A1 *	9/2011	Diamond	119/61.55
D669,231	S *	10/2012	Chance et al.	D30/133	2012/0031342	A1 *	2/2012	Whitney	119/72
D677,128	S *	3/2013	Roesser	D7/625	2012/0210942	A1 *	8/2012	Wacker	119/72
						2013/0092089	A1 *	4/2013	Carter et al.	119/61.55
						2013/0192529	A1 *	8/2013	Kruger et al.	119/72
						2013/0284102	A1 *	10/2013	McCune	119/72

* cited by examiner

FIG. 1

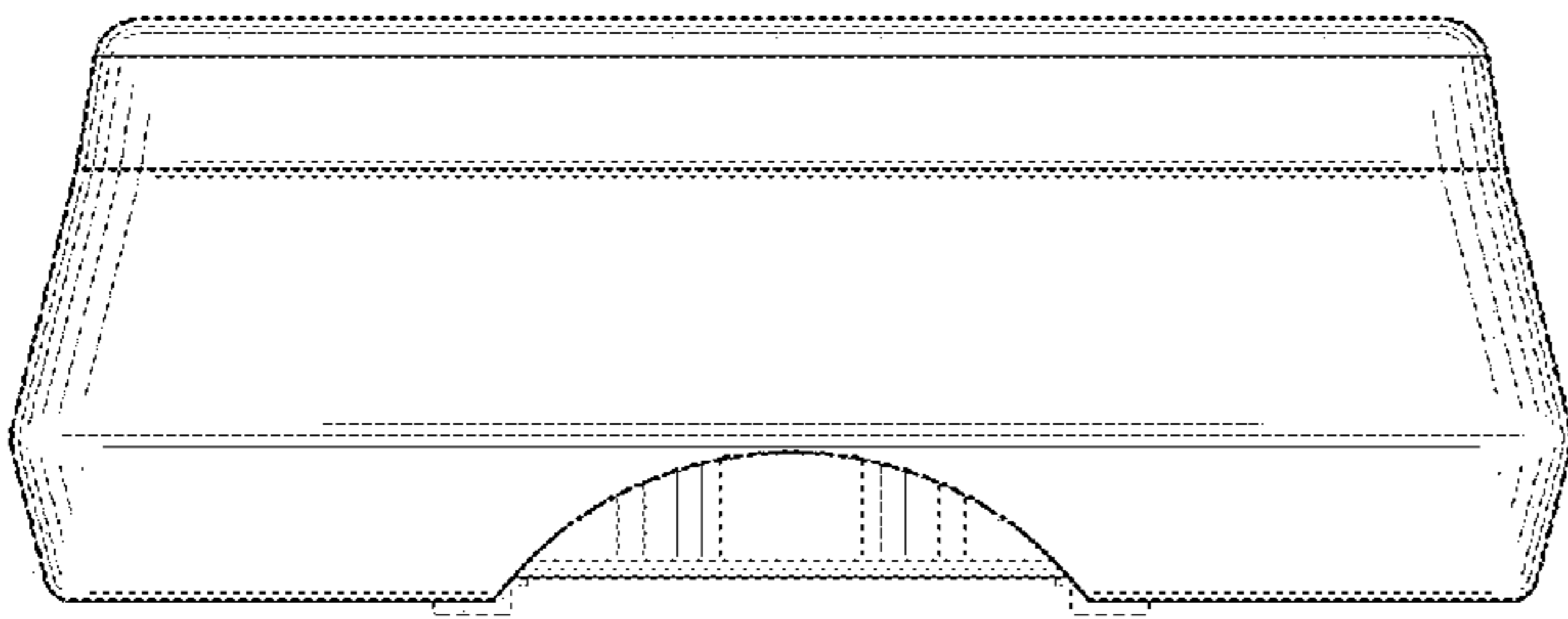


FIG. 2

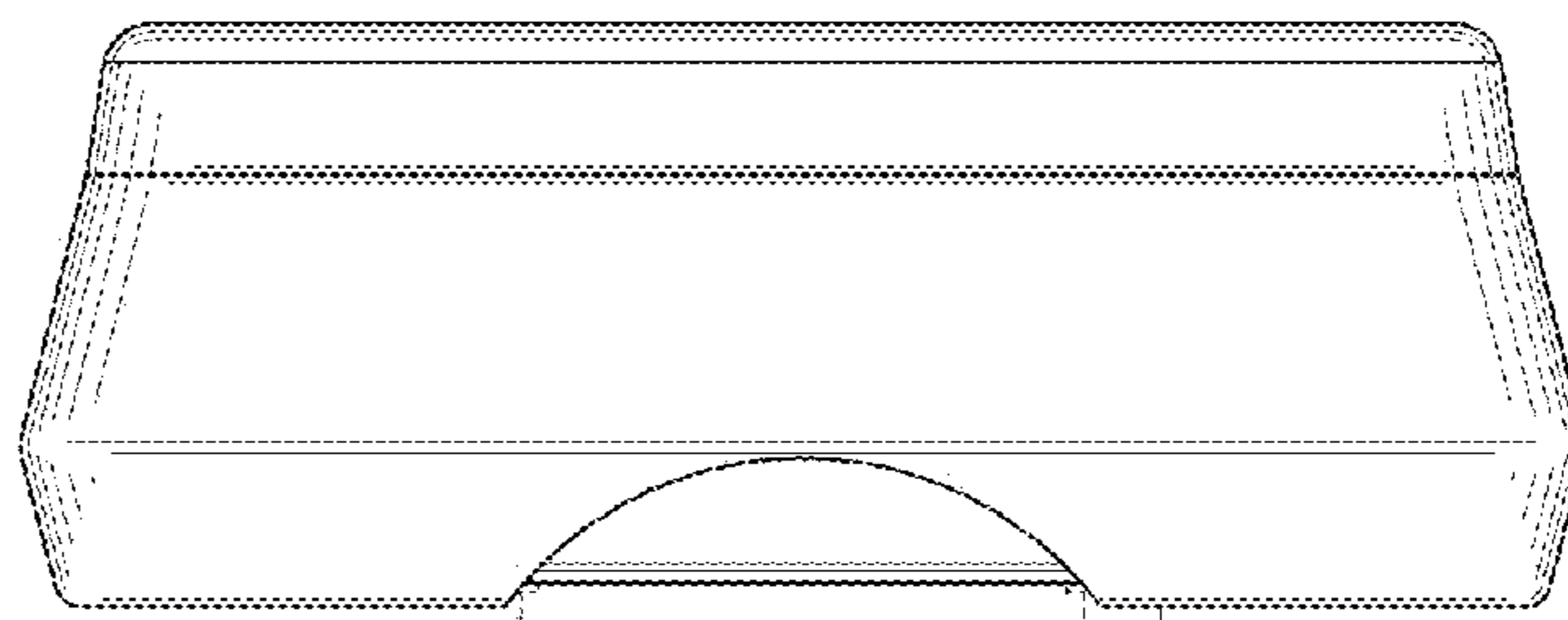


FIG. 3

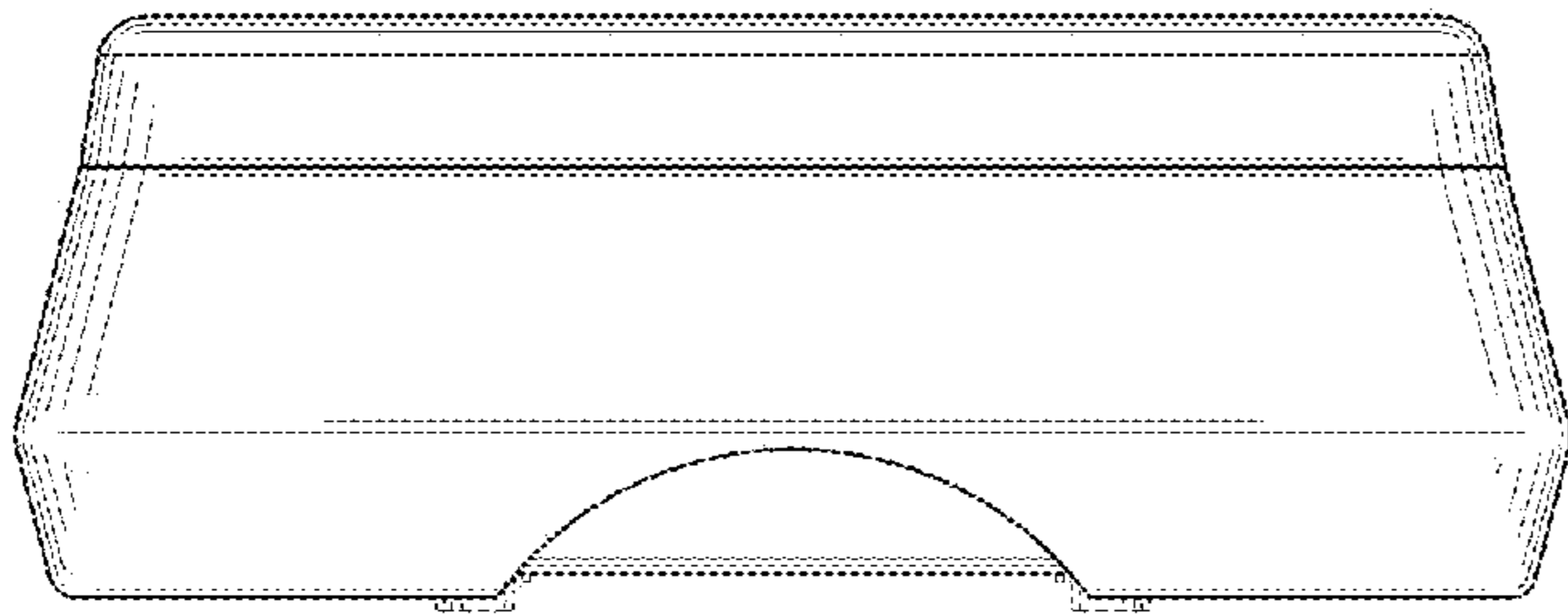


FIG. 4

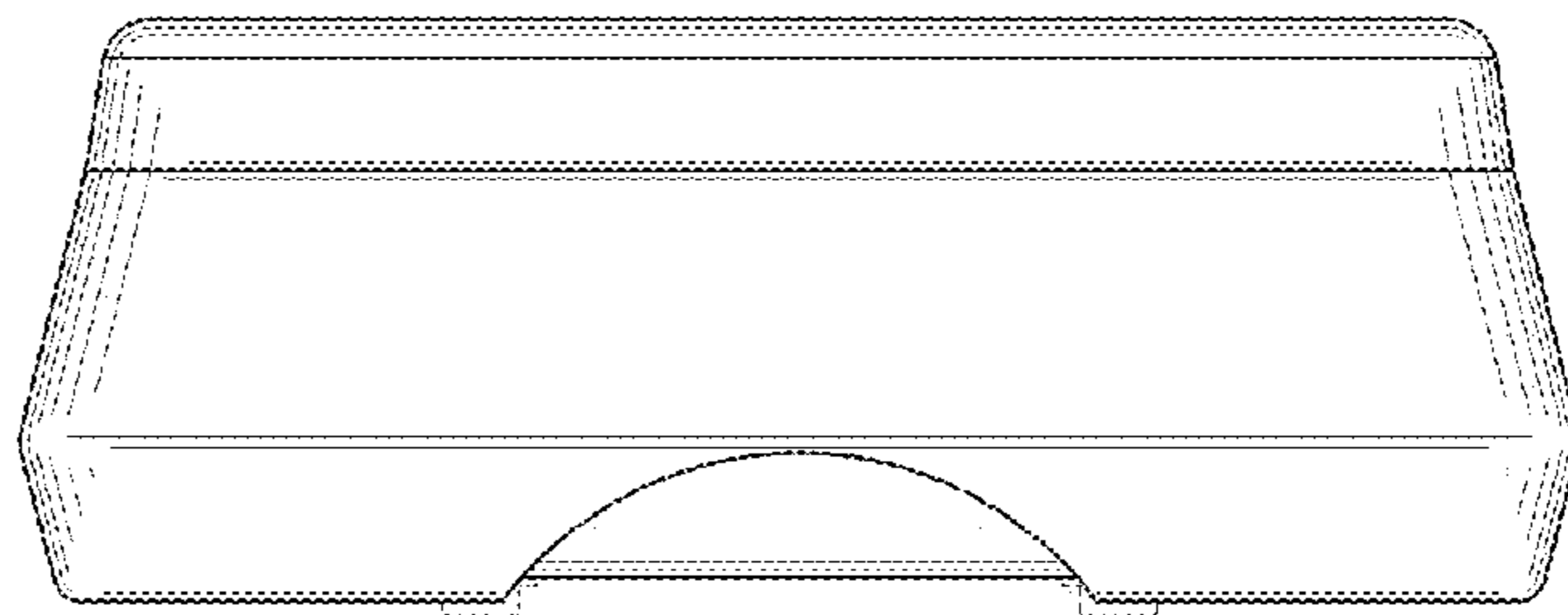


FIG. 5

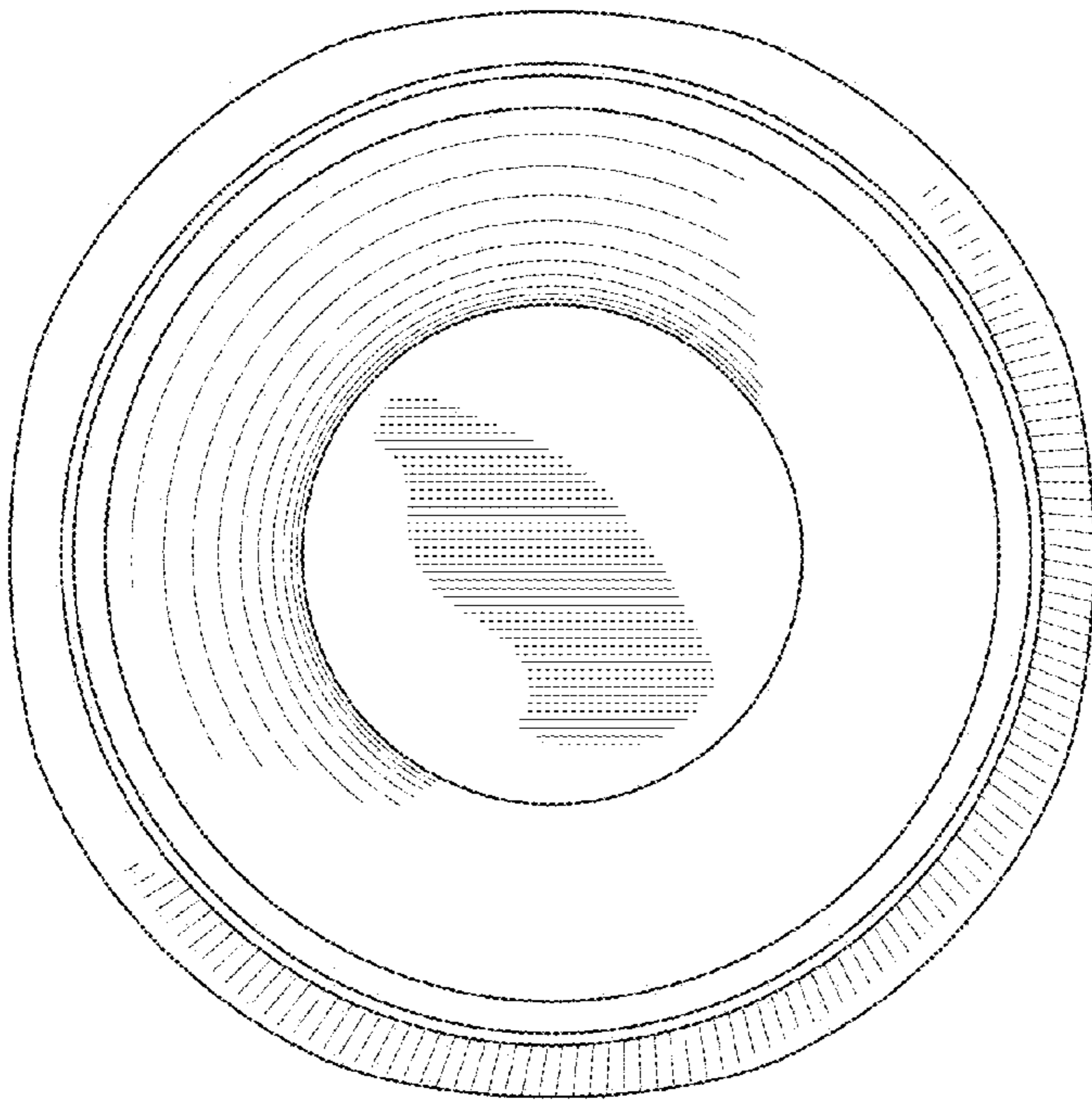


FIG. 6

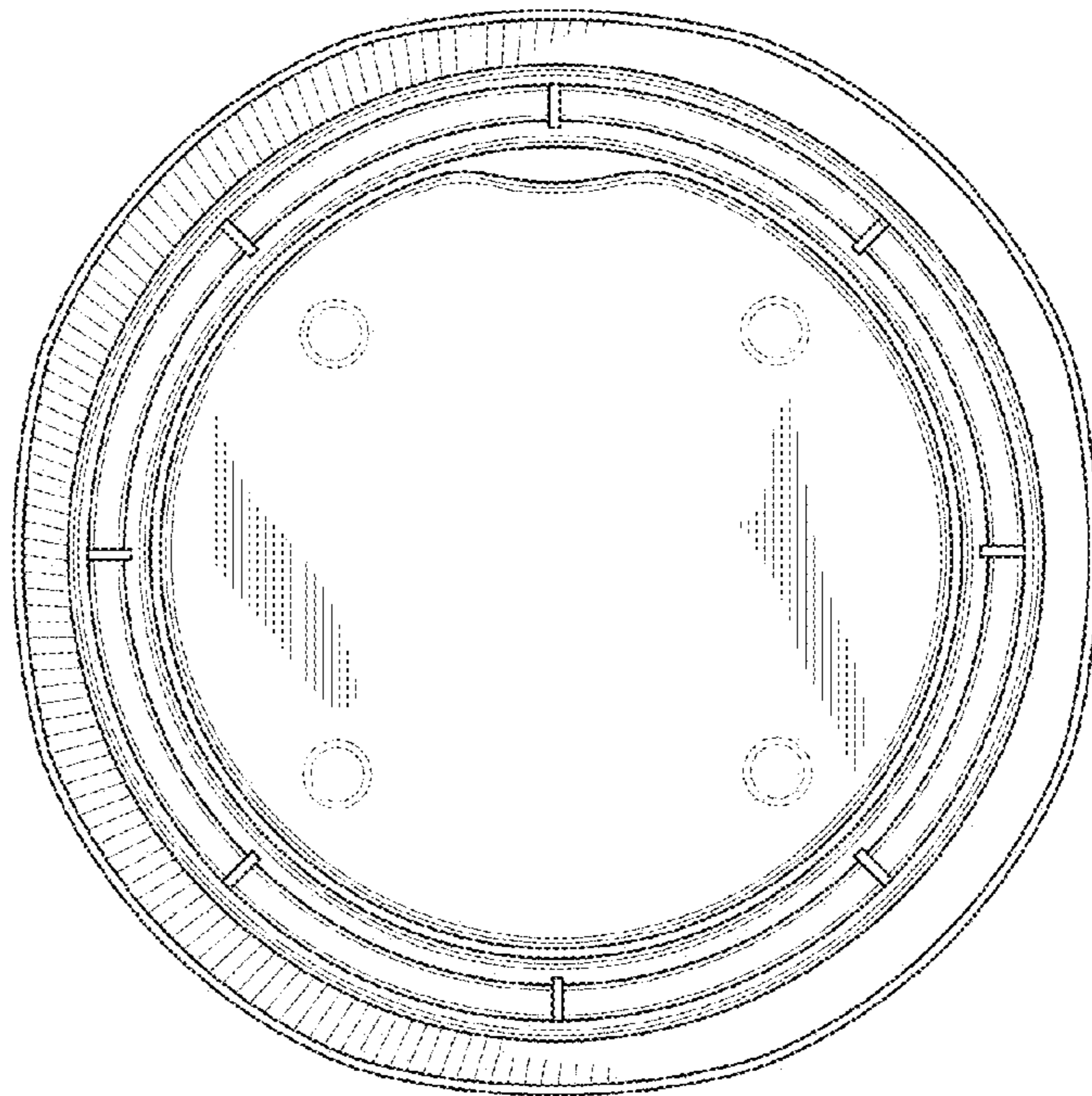


FIG. 7

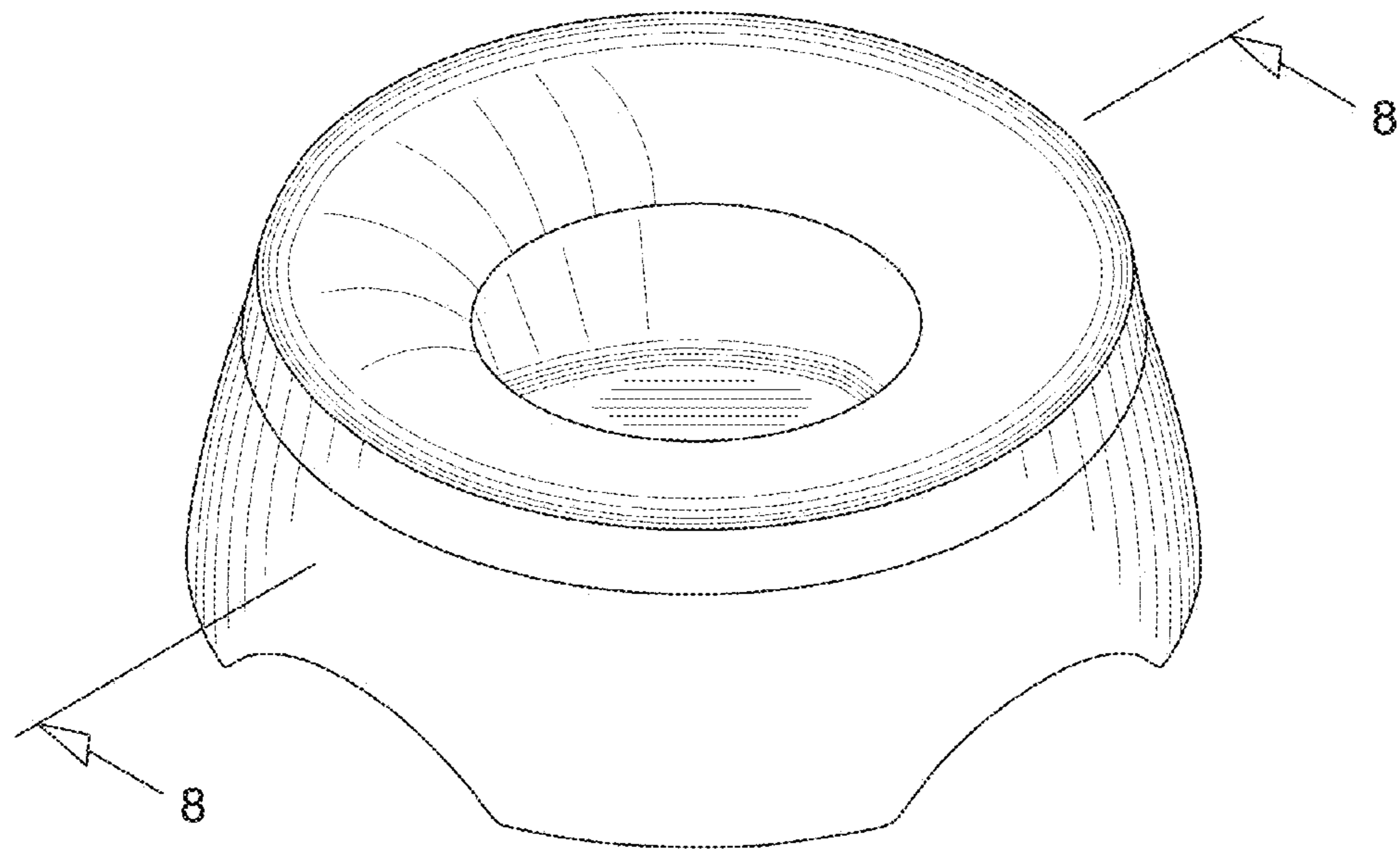


FIG. 8

