



US00D703392S

(12) **United States Design Patent**  
**Desberg**

(10) **Patent No.:** **US D703,392 S**

(45) **Date of Patent:** **\*\* Apr. 22, 2014**

(54) **PET FEEDER**

(75) Inventor: **Ian Desberg**, Emeryville, CA (US)

(73) Assignee: **MerchSource, LLC**, Irvine, CA (US)

(\*\*) Term: **14 Years**

(21) Appl. No.: **29/413,017**

(22) Filed: **Feb. 9, 2012**

(51) **LOC (10) Cl.** ..... **30-03**

(52) **U.S. Cl.**  
USPC ..... **D30/121; D30/122**

(58) **Field of Classification Search**  
USPC ..... D30/133, 121, 122, 124, 127, 128, 132;  
119/51.01, 61, 51.04, 53, 57.91, 54,  
119/53.5, 52.4, 51.11, 63, 61.2, 52.1, 57.5,  
119/57.6, 51.13, 62, 75, 500, 501; 239/7,  
239/687, 379, 397.5; 222/199, 181.1,  
222/181.2, 185.1, 557, 156, 485, 486, 548,  
222/555; 220/200, 227, 247, 262; 221/174,  
221/185.1, 289, 295, 296, 559; 454/35;  
209/270, 283, 244; 52/194, 192;  
49/279, 344, 357; D34/28

See application file for complete search history.

(56) **References Cited**

**U.S. PATENT DOCUMENTS**

867,621	A *	10/1907	Tannelhill	119/77
1,533,627	A *	4/1925	Averill	222/586
2,725,663	A *	12/1955	Mullen	43/131
2,839,028	A *	6/1958	Routh	119/52.1
3,074,377	A *	1/1963	Spencer	119/54
3,112,733	A *	12/1963	Arnott	119/77
D209,017	S *	10/1967	Rice	D34/39
3,568,875	A *	3/1971	Olan	220/270
3,704,808	A *	12/1972	Gibson et al.	206/519
3,720,184	A *	3/1973	Pearce	119/51.5
3,730,141	A *	5/1973	Manning et al.	119/51.5

3,800,745	A *	4/1974	Fassauer	119/51.11
D232,550	S *	8/1974	Fushihara	D23/207
D232,658	S *	9/1974	Fassauer	D30/121
D232,847	S *	9/1974	Okubo	D30/121
D233,642	S *	11/1974	Arnold	D7/628
D234,144	S *	1/1975	Fassauer	D30/132
3,910,461	A *	10/1975	Eager	222/131
3,920,224	A *	11/1975	Fassauer	366/131
D239,505	S *	4/1976	Ward	D34/39
D244,427	S *	5/1977	Schieser et al.	D9/550

(Continued)

**OTHER PUBLICATIONS**

[http://www.amazon.com/Petmate-LeBistro-Portion-Automatic-Pet/dp/B000TZ7022/ref=pd\\_ybh\\_5](http://www.amazon.com/Petmate-LeBistro-Portion-Automatic-Pet/dp/B000TZ7022/ref=pd_ybh_5); undated.

(Continued)

*Primary Examiner* — Susan Moon Lee

(74) *Attorney, Agent, or Firm* — The Eclipse Group LLP

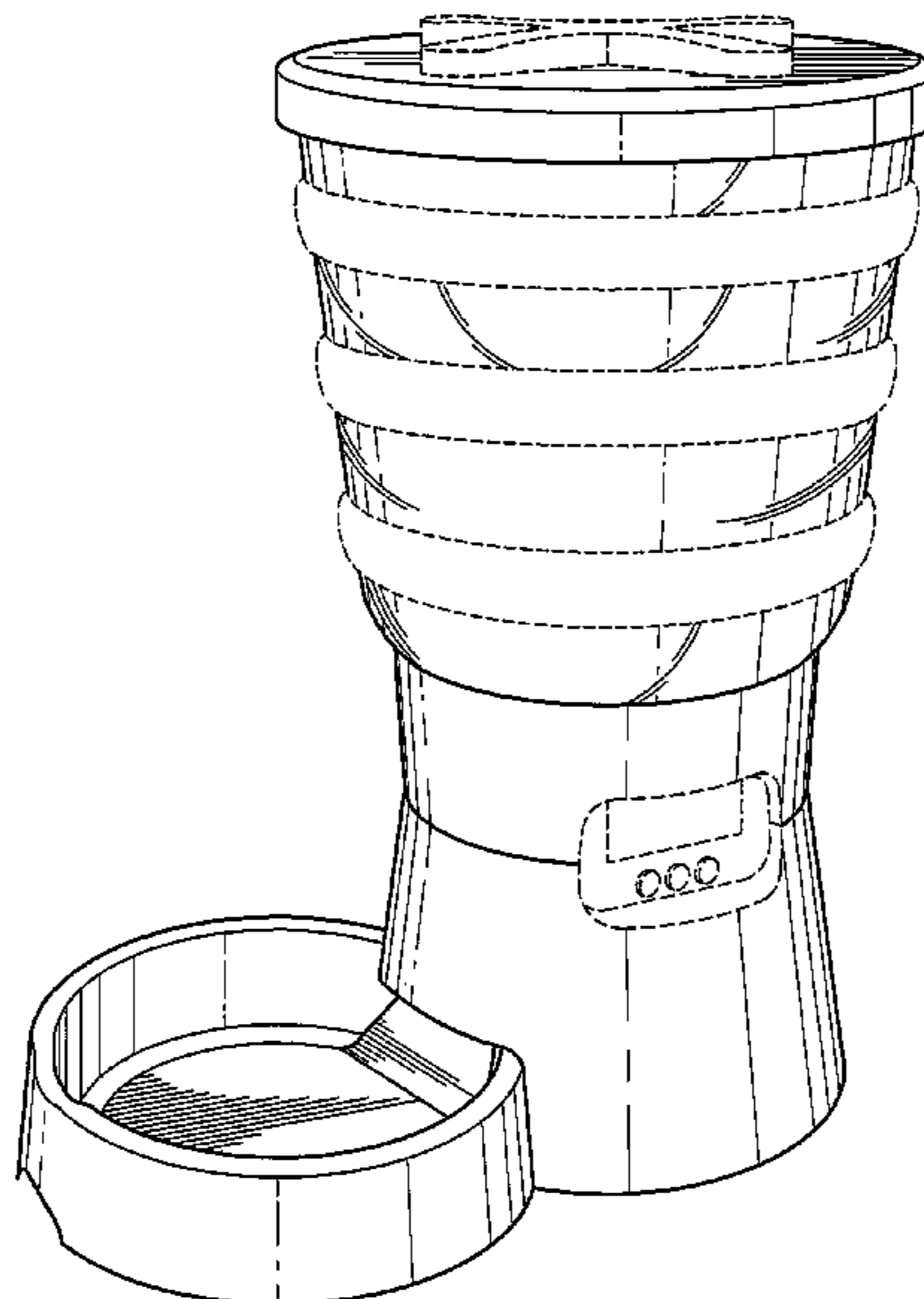
(57) **CLAIM**

I claim the ornamental design for a pet feeder, as shown and described.

**DESCRIPTION**

FIG. 1 is a perspective view of the right side of a pet feeder. FIG. 2 is a front elevation view of the pet feeder illustrated in FIG. 1. FIG. 3 is a rear elevation view of the pet feeder illustrated in FIG. 1. FIG. 4 is an elevation view of the right side of the pet feeder illustrated in FIG. 1. FIG. 5 is an elevation view of the left side of the pet feeder illustrated in FIG. 1. FIG. 6 is a top view of the pet feeder illustrated in FIG. 1; and, FIG. 7 is a bottom view of the pet feeder illustrated in FIG. 1. Broken lines and unshaded portions contained within broken lines are not claimed.

**1 Claim, 6 Drawing Sheets**





(56)

## References Cited

## U.S. PATENT DOCUMENTS

- D248,658 S \* 7/1978 Buffington ..... D7/301  
4,134,365 A \* 1/1979 Futers et al. .... 119/51.5  
4,203,526 A \* 5/1980 Stoll, III ..... 220/649  
D258,258 S \* 2/1981 Haddock ..... D34/7  
D264,638 S \* 5/1982 Maeda ..... D9/502  
4,450,790 A \* 5/1984 Stansbury, Jr. .... 119/51.12  
4,485,765 A \* 12/1984 Schwartz et al. .... 119/51.13  
D277,041 S \* 1/1985 Nichols ..... D34/39  
4,513,688 A \* 4/1985 Fassauer ..... 119/57.1  
D285,840 S \* 9/1986 Poon ..... D26/42  
D288,293 S \* 2/1987 Arvans ..... D9/500  
4,651,679 A \* 3/1987 Fassauer ..... 119/51.5  
4,721,063 A \* 1/1988 Atchley ..... 119/52.1  
D294,750 S \* 3/1988 Atchley ..... D30/132  
4,735,171 A \* 4/1988 Essex ..... 119/51.12  
4,840,143 A \* 6/1989 Simon ..... 119/52.1  
D309,548 S \* 7/1990 McCloskey ..... D7/378  
4,938,168 A \* 7/1990 Meidell ..... 119/77  
D313,330 S \* 1/1991 Brusa ..... D7/307  
D315,625 S \* 3/1991 Hallinan et al. .... D34/1  
D316,382 S \* 4/1991 Lorenzana et al. .... D11/164  
5,016,572 A \* 5/1991 Weber et al. .... 119/52.1  
D320,716 S \* 10/1991 Maass ..... D7/378  
5,109,799 A \* 5/1992 Lader .....  
D330,098 S \* 10/1992 VanSkiver ..... D30/121  
D334,251 S \* 3/1993 Tiu ..... D30/122  
D335,744 S \* 5/1993 Small et al. .... D34/39  
D336,702 S \* 6/1993 Brethouwer ..... D34/1  
D340,553 S \* 10/1993 Sahm, Jr. .... D30/121  
5,263,437 A \* 11/1993 Murphrey ..... 119/53.5  
5,299,529 A \* 4/1994 Ramirez .....  
D347,966 S \* 6/1994 Doggett ..... D7/378  
D350,842 S \* 9/1994 VanSkiver ..... D30/121  
D351,689 S \* 10/1994 VanSkiver ..... D30/121  
5,351,645 A \* 10/1994 Brennon ..... 119/475  
5,353,739 A \* 10/1994 Chu ..... 119/51.03  
D352,136 S \* 11/1994 Thornberg ..... D30/121  
5,363,805 A \* 11/1994 Wing .....  
D353,914 S \* 12/1994 Sahm, Jr. .... D30/121  
5,404,838 A \* 4/1995 Khan ..... 119/52.1  
D358,629 S \* 5/1995 Wefler ..... D22/122  
D359,606 S \* 6/1995 Holland ..... D34/1  
D360,100 S \* 7/1995 Van Den Berghe ..... D7/306  
D364,942 S \* 12/1995 VanSkiver et al. .... D30/121  
D365,491 S \* 12/1995 Hui ..... D7/311  
D370,151 S \* 5/1996 McLinden et al. .... D7/378  
D371,643 S \* 7/1996 Lillelund et al. .... D30/122  
D374,109 S \* 9/1996 Lillelund et al. .... D30/121  
D374,516 S \* 10/1996 Lillelund et al. .... D30/132  
D374,959 S \* 10/1996 Mull ..... D34/39  
D378,883 S \* 4/1997 Magnusson ..... D7/306  
D383,797 S \* 9/1997 Finnegan ..... D30/132  
5,687,783 A \* 11/1997 Finnegan ..... 141/364  
5,699,753 A \* 12/1997 Aldridge, III ..... 119/52.1  
D393,108 S \* 3/1998 Atchley ..... D30/121  
D393,521 S \* 4/1998 Morneau ..... D34/39  
5,738,038 A \* 4/1998 Barton ..... 119/73  
5,794,560 A \* 8/1998 Terenzi ..... 119/51.11  
5,799,609 A \* 9/1998 Burns et al. .... 119/74  
D400,757 S \* 11/1998 Hippen et al. .... D7/378  
5,829,386 A \* 11/1998 Wenstrand ..... 119/77  
5,845,600 A \* 12/1998 Mendes ..... 119/51.5  
D404,247 S \* 1/1999 Spagnolo ..... D7/378  
D406,924 S \* 3/1999 Kolozsvari ..... D30/121  
D406,926 S \* 3/1999 Kolozsvari ..... D30/132  
6,055,932 A \* 5/2000 Weber ..... 119/52.1  
6,079,361 A \* 6/2000 Bowell et al. .... 119/72  
6,092,922 A \* 7/2000 Kett et al. .... 366/205  
D430,038 S \* 8/2000 Young et al. .... D9/549  
6,119,628 A \* 9/2000 Lorenzana et al. .... 119/77  
D432,279 S \* 10/2000 Kim ..... D30/121  
6,135,056 A \* 10/2000 Kuo .....  
6,142,099 A \* 11/2000 Lange, Jr. .... 119/51.5  
D436,282 S \* 1/2001 Kauzlarich et al. .... D7/306  
D440,813 S \* 4/2001 Gort-Barten ..... D7/378  
D441,998 S \* 5/2001 Kauzlarich et al. .... D6/542  
D443,780 S \* 6/2001 Kauzlarich et al. .... D6/542  
D445,001 S \* 7/2001 Lin ..... D7/510  
D450,978 S \* 11/2001 Smith ..... D7/378  
D455,526 S \* 4/2002 Chrisco et al. .... D30/121  
6,401,657 B1 \* 6/2002 Krishnamurthy ..... 119/51.11  
6,427,628 B1 \* 8/2002 Reece ..... 119/51.11  
6,467,428 B1 \* 10/2002 Andrisin et al. .... 119/51.5  
6,477,981 B1 \* 11/2002 Harper ..... 119/52.4  
D473,421 S \* 4/2003 Daniels, Jr. .... D7/378  
D474,065 S \* 5/2003 Daniels, Jr. .... D7/378  
D474,067 S \* 5/2003 Daniels, Jr. .... D7/386  
D474,643 S \* 5/2003 Daniels, Jr. .... D7/386  
D484,357 S \* 12/2003 Seum et al. .... D7/378  
6,681,718 B1 \* 1/2004 McIlarky ..... 119/53  
D488,344 S \* 4/2004 Seum et al. .... D7/384  
6,739,284 B1 \* 5/2004 Olive ..... 119/74  
6,748,898 B2 \* 6/2004 Ulman et al. .... 119/57.92  
6,789,503 B1 \* 9/2004 Gao ..... 119/51.11  
D497,041 S \* 10/2004 Plante ..... D30/130  
D497,224 S \* 10/2004 Remy ..... D30/121  
D503,247 S \* 3/2005 Ross ..... D30/132  
6,863,025 B2 \* 3/2005 Ness ..... 119/72  
6,866,004 B1 \* 3/2005 Lush ..... 119/52.1  
D504,545 S \* 4/2005 Morosin et al. .... D30/122  
6,880,484 B1 \* 4/2005 Lee ..... 119/74  
6,928,954 B2 \* 8/2005 Krishnamurthy ..... 119/51.5  
6,966,689 B2 \* 11/2005 Daniels, Jr. .... 366/192  
D512,595 S \* 12/2005 Claassen ..... D7/306  
6,971,331 B1 \* 12/2005 Rohrer ..... 119/77  
D513,928 S \* 1/2006 Birdsell et al. .... D7/397  
D521,192 S \* 5/2006 Morosin et al. .... D30/122  
7,040,249 B1 \* 5/2006 Mushen ..... 119/51.5  
D526,827 S \* 8/2006 Allen et al. .... D7/306  
7,089,881 B2 \* 8/2006 Plante ..... 119/74  
D529,749 S \* 10/2006 Allen et al. .... D7/306  
D529,758 S \* 10/2006 Beesley et al. .... D7/378  
D530,140 S \* 10/2006 Macler et al. .... D7/313  
D530,565 S \* 10/2006 Grcic ..... D7/378  
D532,251 S \* 11/2006 Kassenaar ..... D7/378  
D534,394 S \* 1/2007 Zhiwen et al. .... D7/378  
D537,353 S \* 2/2007 Bailey et al. .... D9/540  
D539,080 S \* 3/2007 Zhiwen et al. .... D7/384  
D540,492 S \* 4/2007 Gorr ..... D30/131  
D543,072 S \* 5/2007 Ting et al. .... D7/378  
7,213,965 B2 \* 5/2007 Daniels, Jr. .... 366/192  
7,217,028 B2 \* 5/2007 Beesley ..... 366/199  
7,228,816 B2 \* 6/2007 Turner et al. .... 119/51.02  
D547,601 S \* 7/2007 Ting et al. .... D7/384  
D549,043 S \* 8/2007 Beesley et al. .... D7/378  
7,270,081 B2 \* 9/2007 Park ..... 119/57.92  
7,270,082 B2 \* 9/2007 Plante ..... 119/74  
7,270,156 B2 \* 9/2007 Beesley et al. .... 141/82  
D553,904 S \* 10/2007 Romandy ..... D7/378  
7,278,779 B2 \* 10/2007 Beesley et al. .... 366/205  
7,284,499 B1 \* 10/2007 Kuster ..... 119/51.5  
D560,963 S \* 2/2008 Altheimer et al. .... D7/378  
D563,605 S \* 3/2008 Morris et al. .... D30/122  
7,426,901 B2 \* 9/2008 Turner et al. .... 119/51.02  
D584,109 S \* 1/2009 Krog ..... D7/608  
D587,064 S \* 2/2009 Mark ..... D7/384  
7,490,739 B2 \* 2/2009 Prabucki ..... 222/146.6  
D607,625 S \* 1/2010 Landry ..... D34/5  
7,665,885 B2 \* 2/2010 Pryor, Jr. .... 366/197  
D612,215 S \* 3/2010 Bergen ..... D7/636  
D612,658 S \* 3/2010 Schenk ..... D7/307  
D622,089 S \* 8/2010 Daniel et al. .... D7/313  
D628,762 S \* 12/2010 Fischer et al. .... D34/39  
D632,606 S \* 2/2011 Jalet ..... D11/144  
7,895,973 B1 \* 3/2011 Whelan ..... 119/51.02  
D637,769 S \* 5/2011 Weber ..... D30/132  
D642,335 S \* 7/2011 Weber ..... D30/121  
7,984,694 B2 \* 7/2011 Wu et al. .... 119/51.02  
D643,669 S \* 8/2011 Burgess et al. .... D7/313  
D645,286 S \* 9/2011 Porebski et al. .... D7/306  
D645,301 S \* 9/2011 Tse ..... D7/378  
8,074,602 B2 \* 12/2011 Laliberte ..... 119/57.92  
D655,053 S \* 2/2012 Weber ..... D30/121  
8,161,911 B2 \* 4/2012 Jalbert et al. .... 119/501

(56)

References Cited

U.S. PATENT DOCUMENTS

8,166,922 B2 \* 5/2012 Jalbert et al. .... 119/501  
 D664,304 S \* 7/2012 Whelan ..... D30/122  
 8,245,665 B2 \* 8/2012 Willett ..... 119/51.5  
 8,272,350 B1 \* 9/2012 England ..... 119/52.1  
 8,336,493 B1 \* 12/2012 Weber ..... 119/52.1  
 D674,562 S \* 1/2013 Hoysak ..... D30/132  
 D678,624 S \* 3/2013 Willett ..... D30/121  
 8,387,566 B2 \* 3/2013 Graves et al. .... 119/72  
 D682,484 S \* 5/2013 Selman ..... D30/132  
 8,448,603 B2 \* 5/2013 Northrop et al. .... 119/61.54  
 D688,911 S \* 9/2013 Chiarini ..... D7/384  
 8,555,813 B2 \* 10/2013 Parks et al. .... 119/51.5  
 8,555,814 B2 \* 10/2013 Parks et al. .... 119/51.5  
 2002/0096120 A1 \* 7/2002 Busha ..... 119/51.5  
 2003/0029867 A1 \* 2/2003 Vicknair ..... 220/23.87  
 2004/0118356 A1 \* 6/2004 Krishnamurthy ..... 119/74  
 2004/0134438 A1 \* 7/2004 Ticktin ..... 119/65  
 2005/0061252 A1 \* 3/2005 Meeks et al. .... 119/51.02  
 2005/0217591 A1 \* 10/2005 Turner et al. .... 119/51.02  
 2005/0252457 A1 11/2005 Morosin et al.  
 2007/0012253 A1 \* 1/2007 Zheng ..... 119/51.02

2007/0193524 A1 \* 8/2007 Turner et al. .... 119/51.02  
 2007/0251955 A1 \* 11/2007 Green ..... 222/185.1  
 2008/0054014 A1 \* 3/2008 Webster et al. .... 222/1  
 2008/0202436 A1 \* 8/2008 Romeu Guardia ..... 119/52.1  
 2008/0257272 A1 \* 10/2008 Bolda ..... 119/72  
 2009/0173282 A1 \* 7/2009 Wu et al. .... 119/51.02  
 2010/0050950 A1 \* 3/2010 Graves et al. .... 119/81  
 2010/0122660 A1 \* 5/2010 Willett ..... 119/51.5  
 2010/0263596 A1 \* 10/2010 Schumann et al. .... 119/51.02  
 2011/0139076 A1 \* 6/2011 Pu et al. .... 119/51.02  
 2011/0197819 A1 \* 8/2011 Montgomery ..... 119/51.11

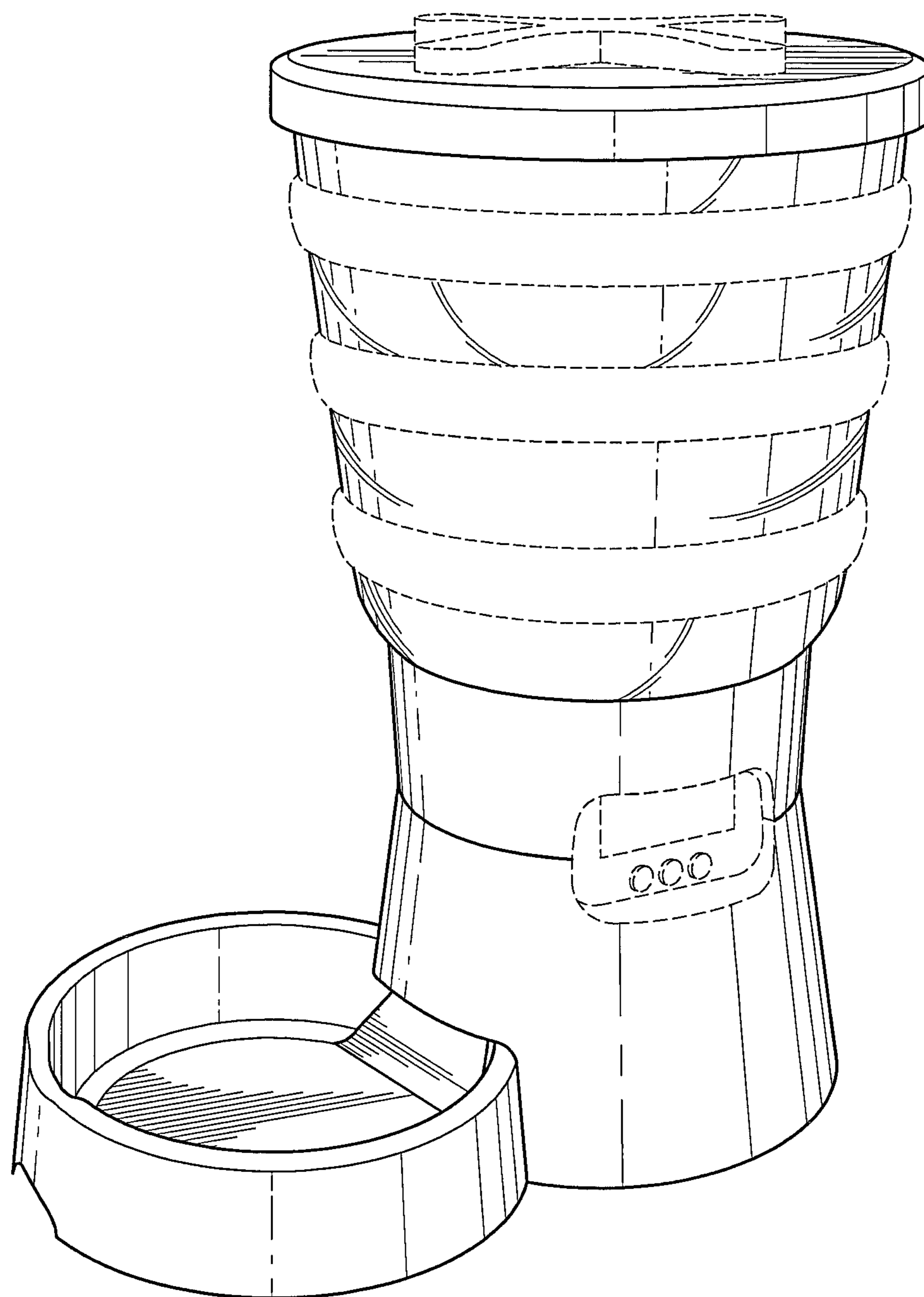
OTHER PUBLICATIONS

[http://www.amazon.com/ERGO-Auto-Pet-Feeder-Small/dp/B001OM4WF2/ref=pd\\_ybh\\_4](http://www.amazon.com/ERGO-Auto-Pet-Feeder-Small/dp/B001OM4WF2/ref=pd_ybh_4); undated.  
[http://www.amazon.com/Automatic-Feeder-Combo-CSF-3XL-Analog/dp/B000MTK086/ref=pd\\_ybh\\_3](http://www.amazon.com/Automatic-Feeder-Combo-CSF-3XL-Analog/dp/B000MTK086/ref=pd_ybh_3); undated.  
[http://www.amazon.com/Auto-Pet-Feeder-Electronic-Mini/dp/B002JPJF1O/ref=pd\\_ybh\\_2](http://www.amazon.com/Auto-Pet-Feeder-Electronic-Mini/dp/B002JPJF1O/ref=pd_ybh_2); undated.  
[http://www.amazon.com/CSF-3-Super-Feeder-Analog-Timer/dp/B000NOLD18/ref=pd\\_ybh\\_1](http://www.amazon.com/CSF-3-Super-Feeder-Analog-Timer/dp/B000NOLD18/ref=pd_ybh_1); undated.

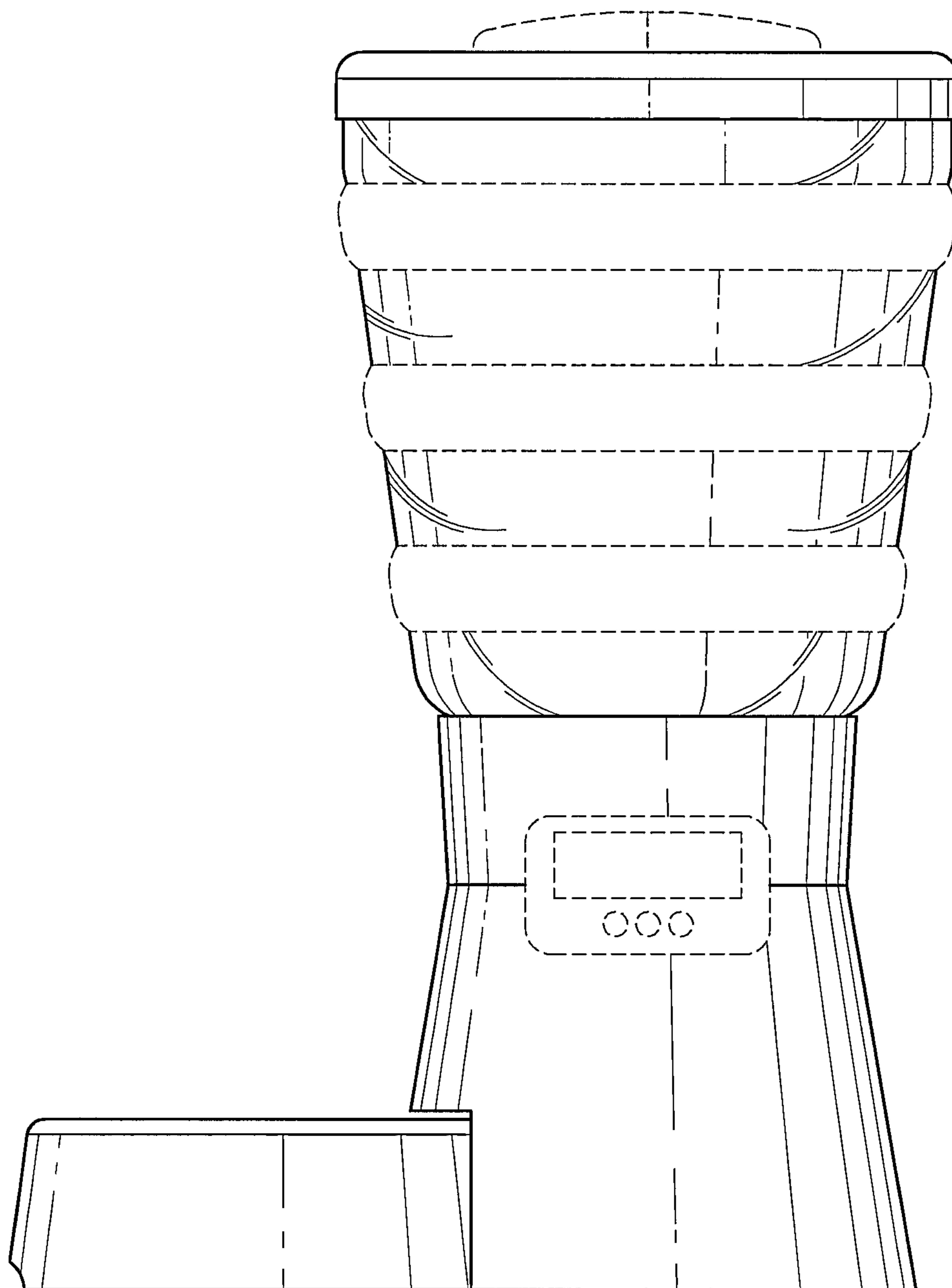
\* cited by examiner



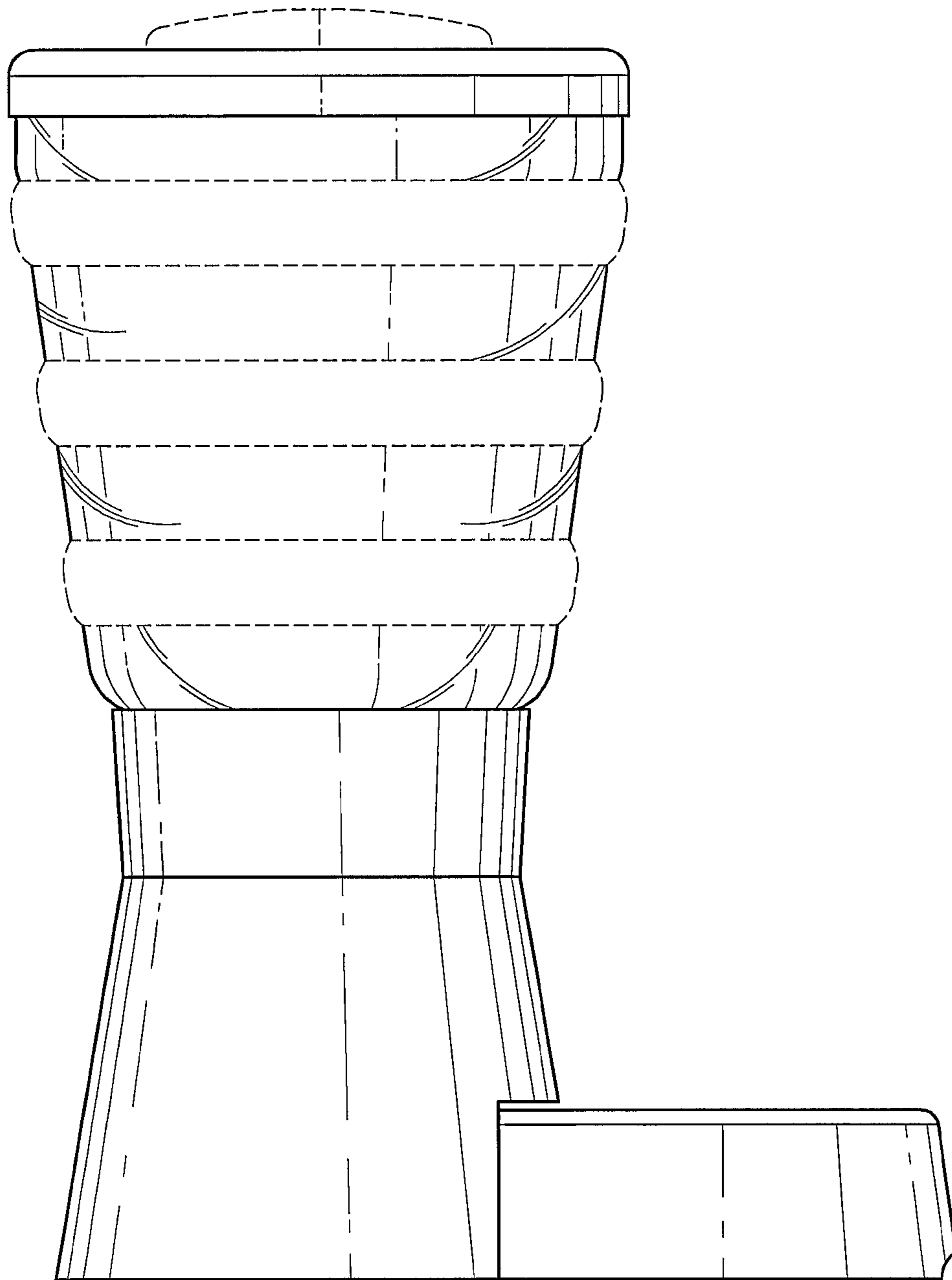
*FIG. 1*



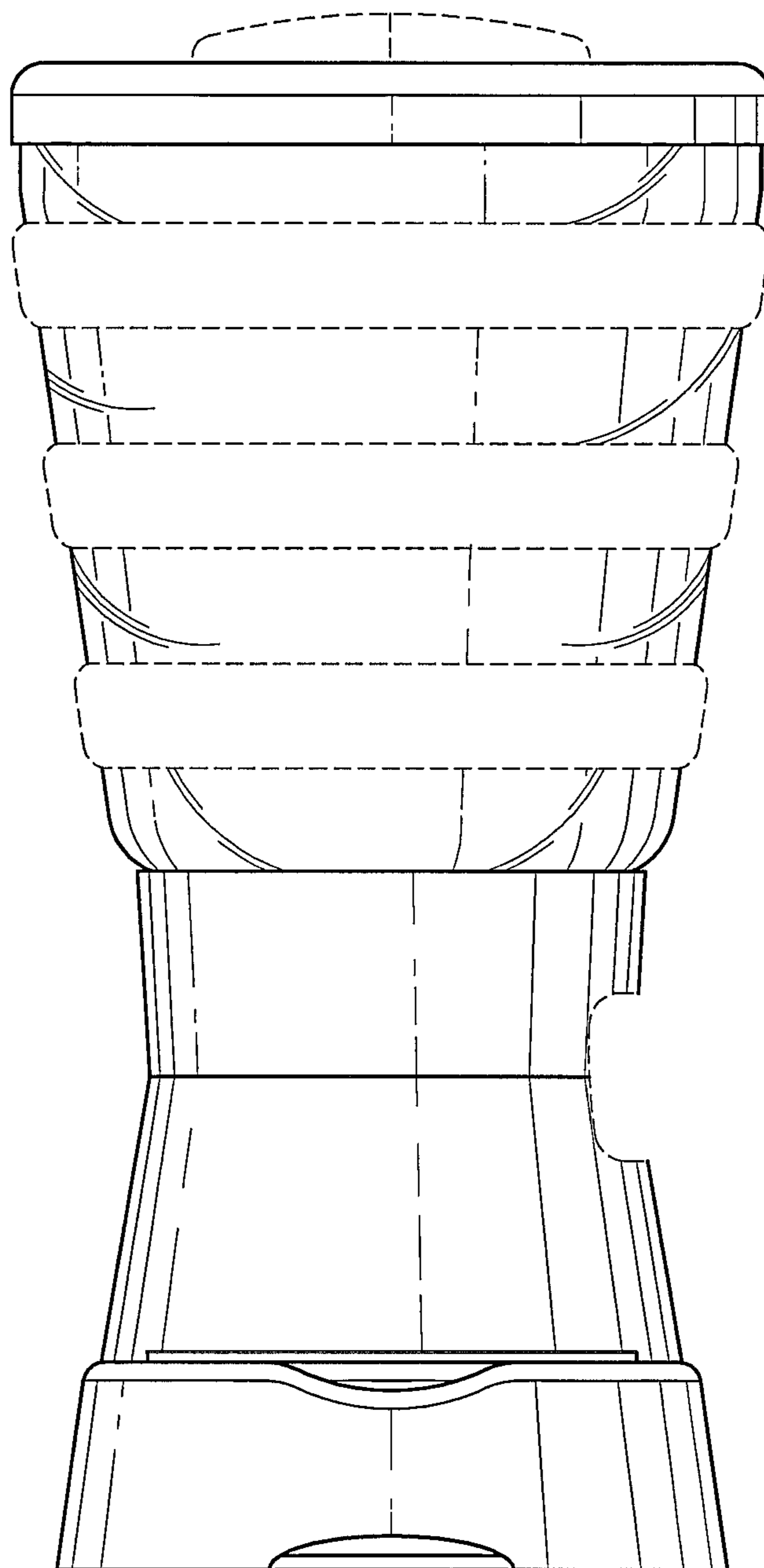
*FIG. 2*



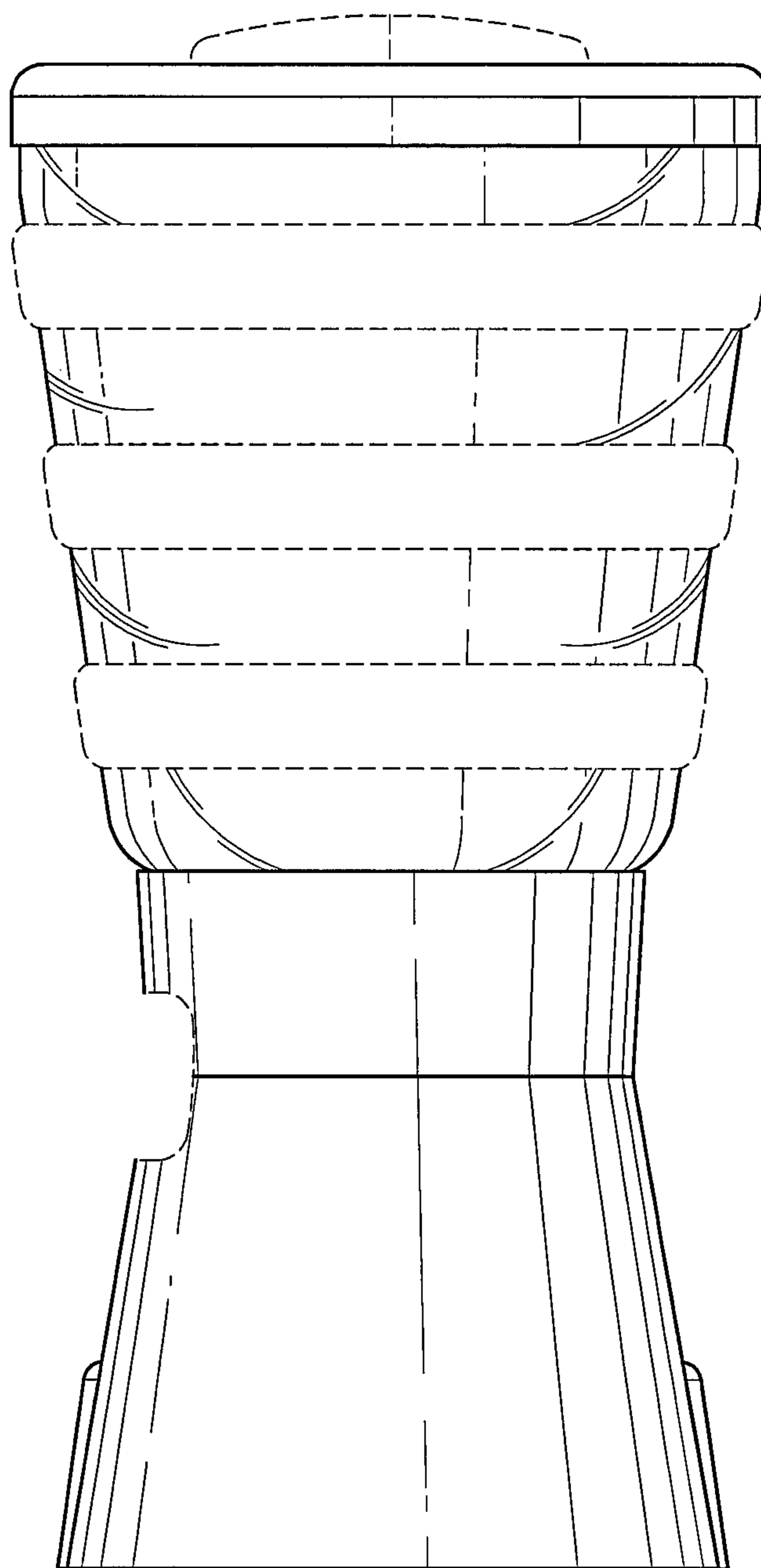
*FIG. 3*



*FIG. 4*

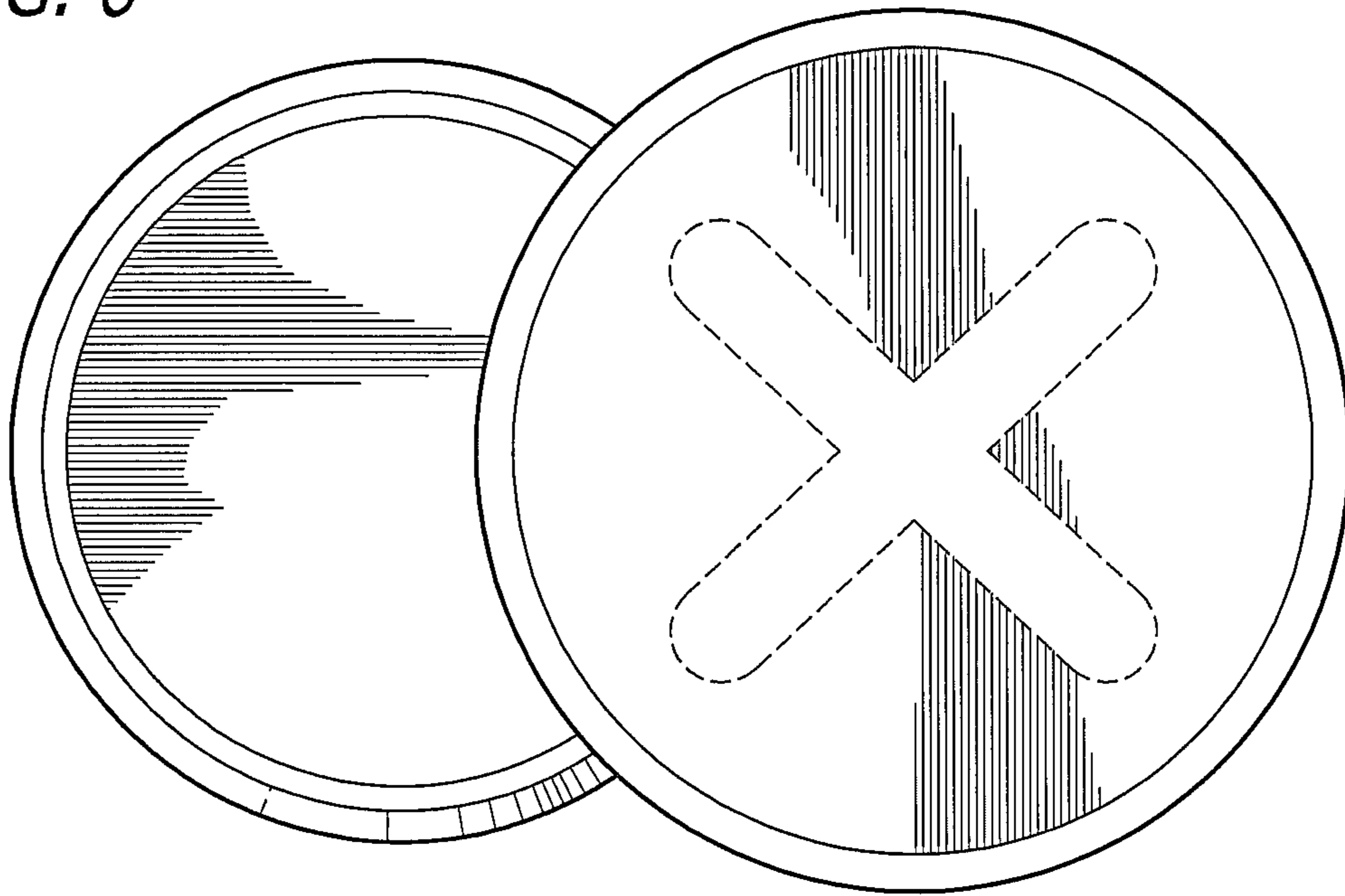


*FIG. 5*





*FIG. 6*



*FIG. 7*

