



US00D703383S

(12) **United States Design Patent**
Petrucelli

(10) **Patent No.:** **US D703,383 S**
(45) **Date of Patent:** **** Apr. 22, 2014**

(54) **COUNTER MOUNTABLE BRACKET FOR HOLDING HAIR STYLING TOOLS**

D525,657 S * 7/2006 Warren, III D28/73
D552,796 S * 10/2007 Petrucelli D28/73
D640,003 S * 6/2011 Gilbert D28/38

(71) Applicant: **P.S. Pibbs, Inc.**, Flushing, NY (US)
(72) Inventor: **Giulio Petrucelli**, Flushing, NY (US)
(73) Assignee: **P.S. Pibbs, Inc.**, Flushing, NY (US)
(**) Term: **14 Years**

* cited by examiner

Primary Examiner — Jennifer Rivard
(74) *Attorney, Agent, or Firm* — Gerald E. Hespos; Michael J. Porco; Matthew T. Hespos

(21) Appl. No.: **29/454,857**

(57) **CLAIM**
The ornamental design for a counter mountable bracket for holding hair styling tools, as shown and described.

(22) Filed: **May 15, 2013**

DESCRIPTION

(51) **LOC (10) Cl.** **28-03**
(52) **U.S. Cl.**
USPC **D28/73; D28/38**
(58) **Field of Classification Search**
USPC 248/117.1–117.7, 249, 302, 176.2;
D8/373, 73; D28/38, 73; D6/567, 570
See application file for complete search history.

FIG. 1 is a perspective view of a counter mountable bracket for holding hair styling tools in accordance with my design, with exemplary hair styling tools being shown in broken lines;
FIG. 2 is a perspective view similar to FIG. 1, but without the broken line depiction of the of the hair styling tools;
FIG. 3 is a top plan view of the counter mountable bracket for holding hair styling tools of FIG. 1;
FIG. 4 is a front elevational view thereof;
FIG. 5 is a left side elevational view thereof;
FIG. 6 is a right side elevational view thereof;
FIG. 7 is a rear elevational view thereof; and,
FIG. 8 is a bottom plan view thereof.

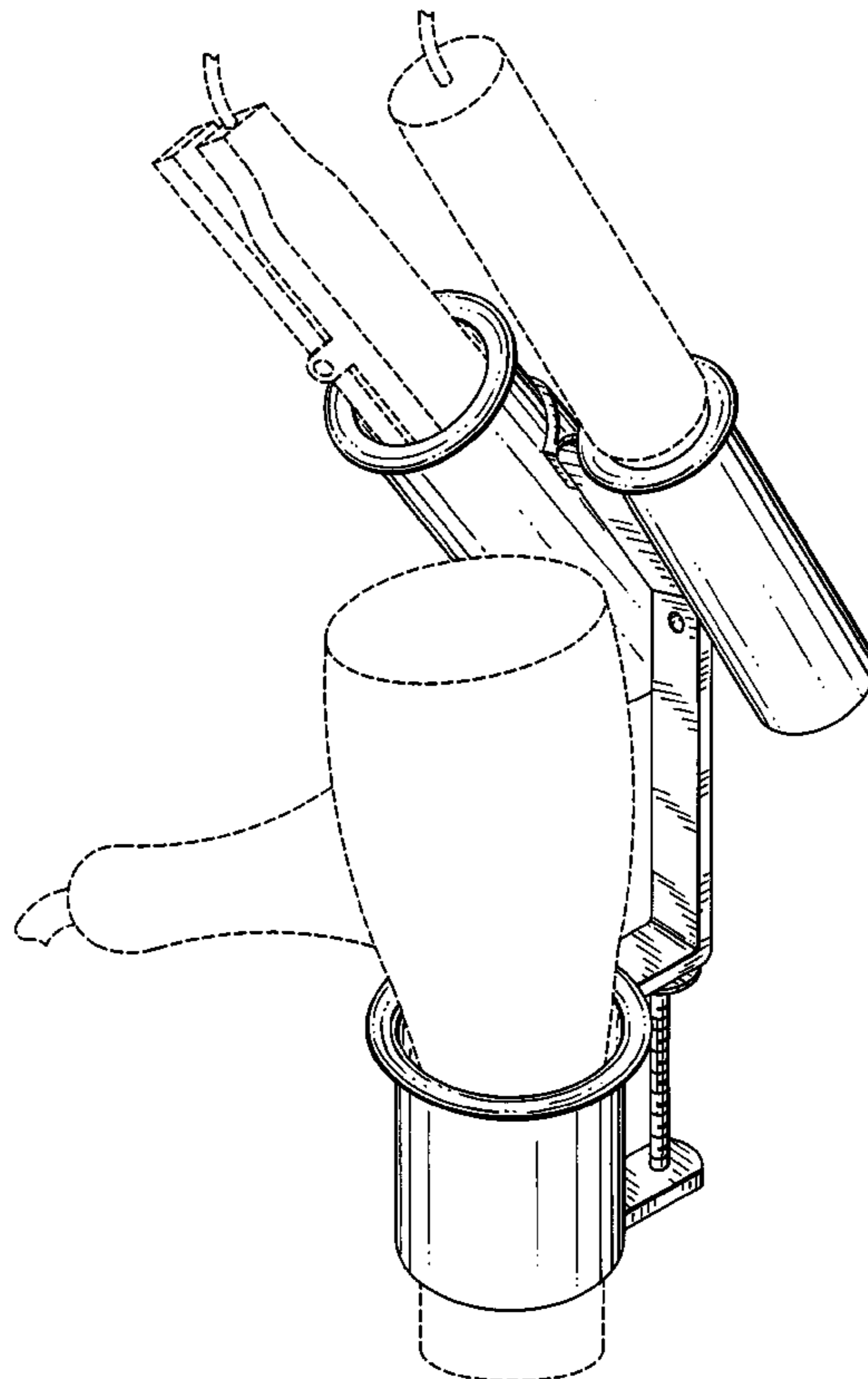
The broken lines shown in the drawings illustrate the environment of the holder and form no part of the claimed design.

(56) **References Cited**

U.S. PATENT DOCUMENTS

D243,559 S * 3/1977 Hoyle et al. D28/38
D305,944 S * 2/1990 Mellott D28/38
5,031,778 A * 7/1991 Edgecombe 248/176.1
D346,243 S * 4/1994 Weber D28/38
6,209,732 B1 * 4/2001 Dennis et al. 211/70.6

1 Claim, 8 Drawing Sheets



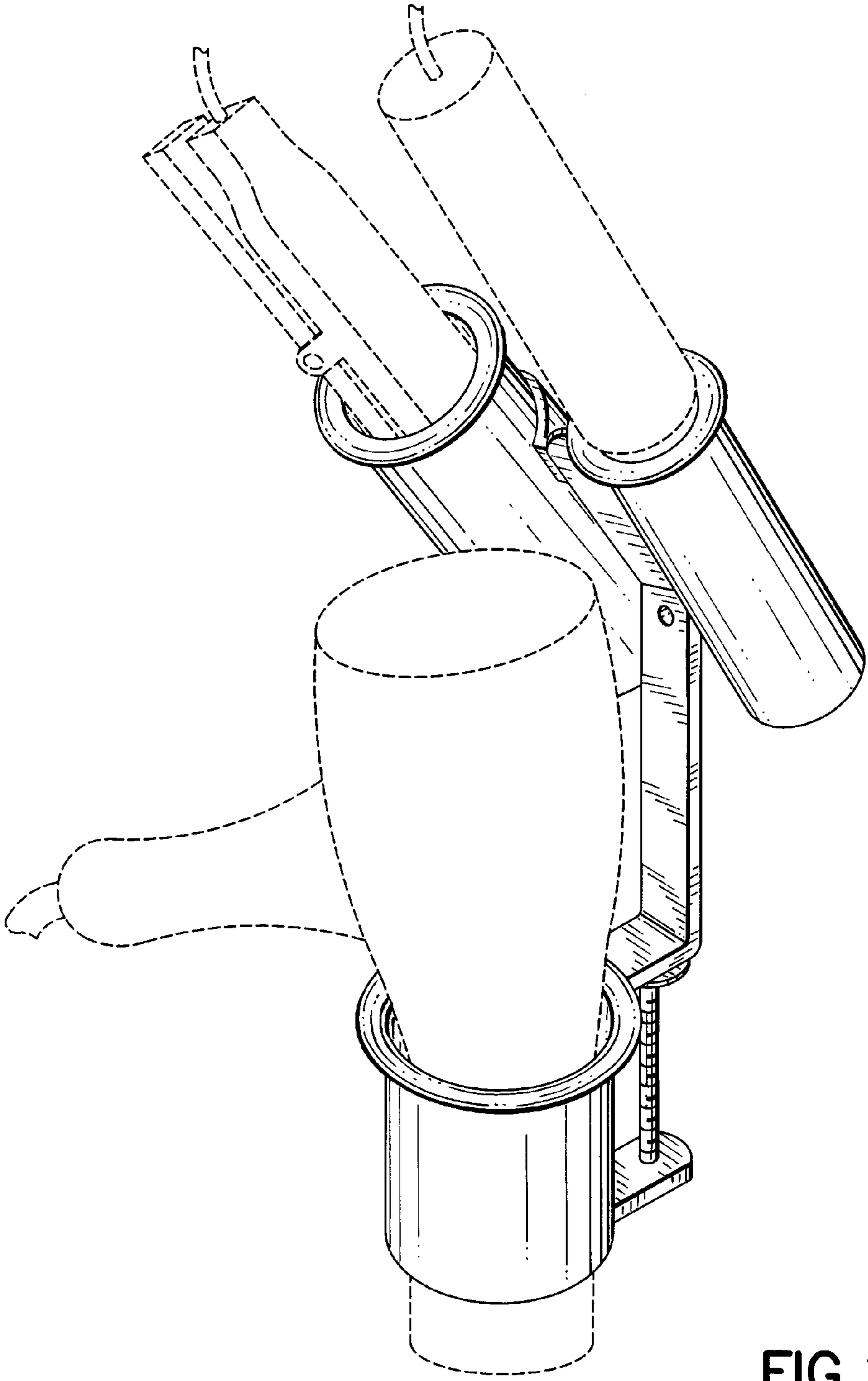


FIG. 1

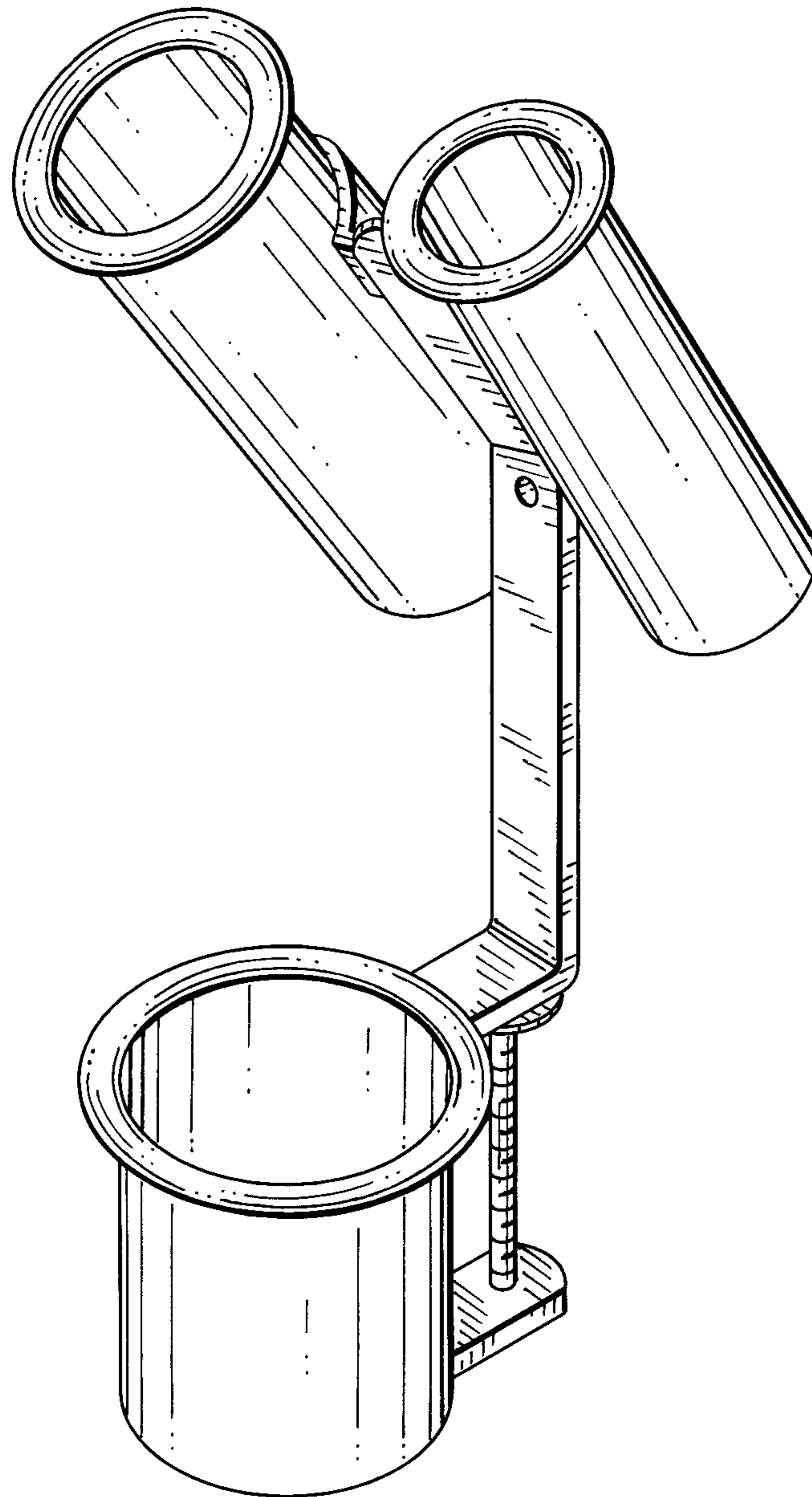


FIG.2

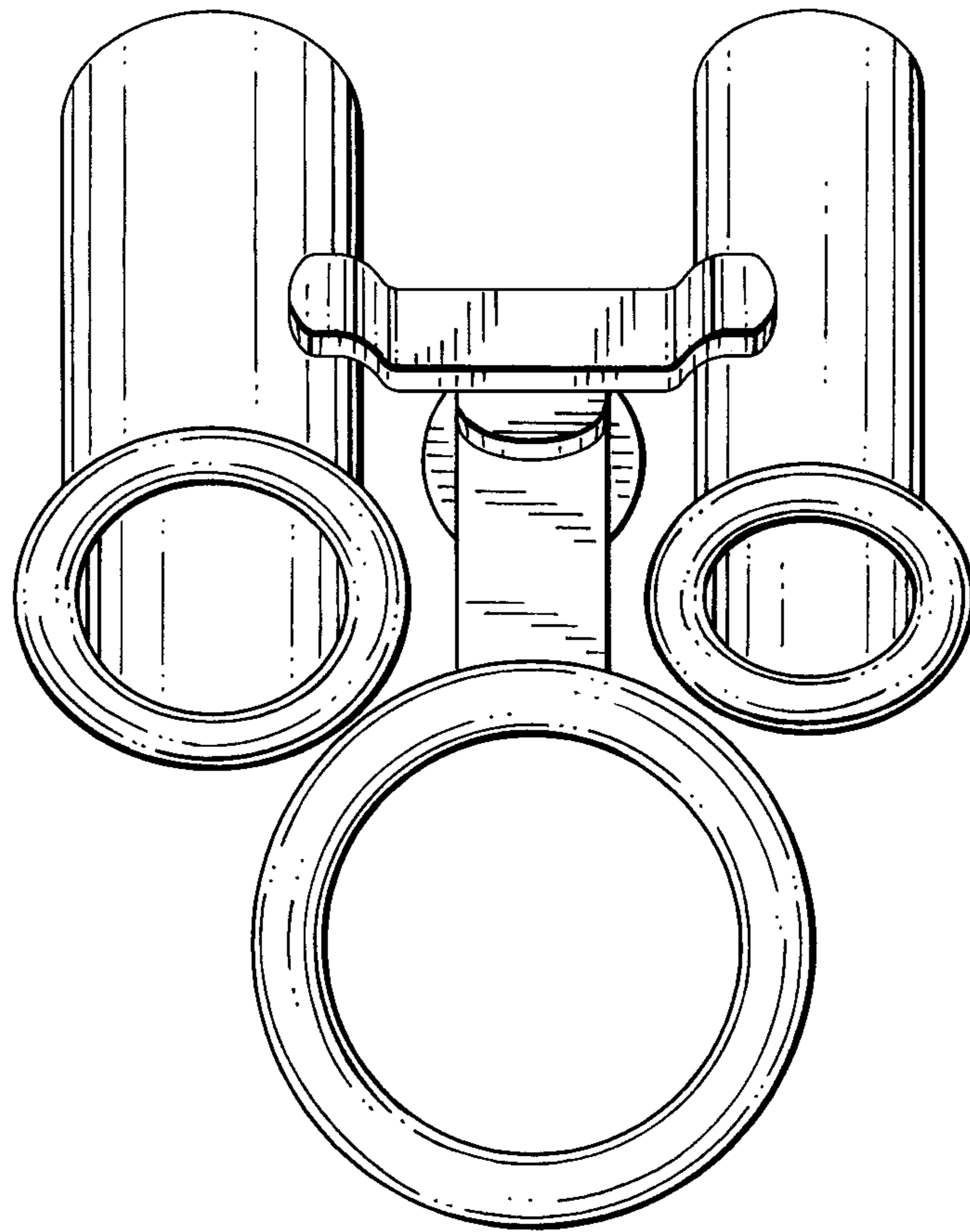


FIG.3

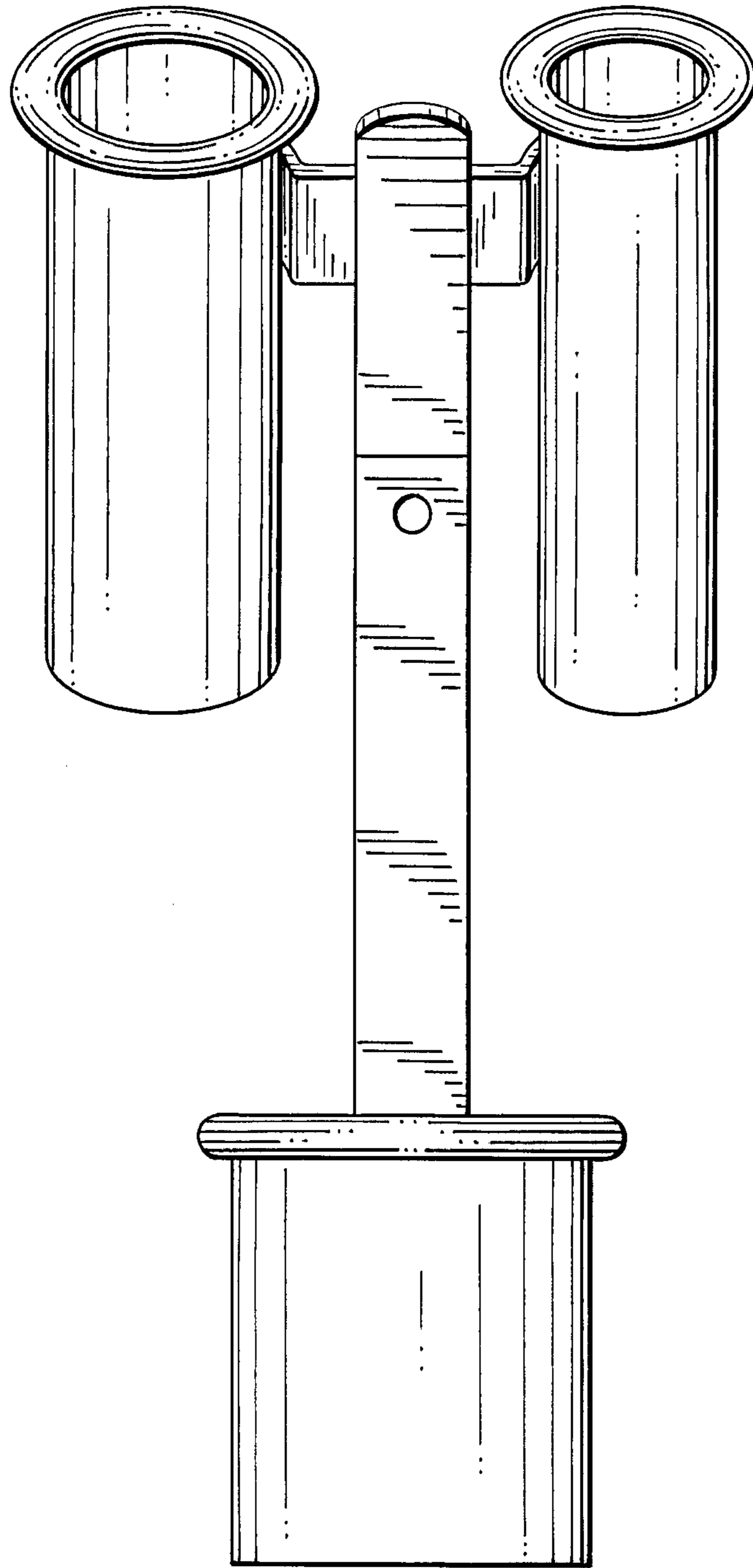


FIG.4

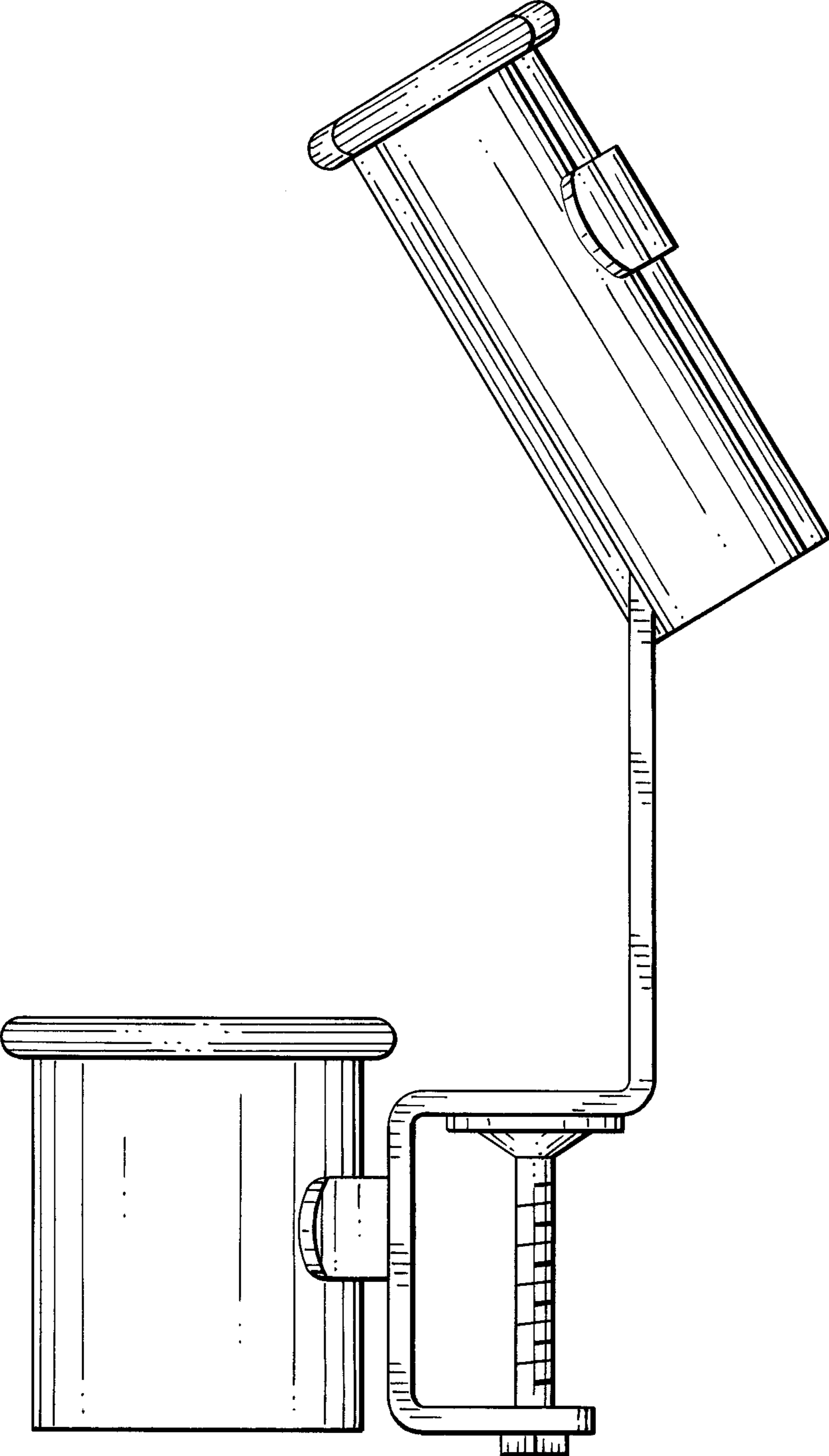


FIG.5

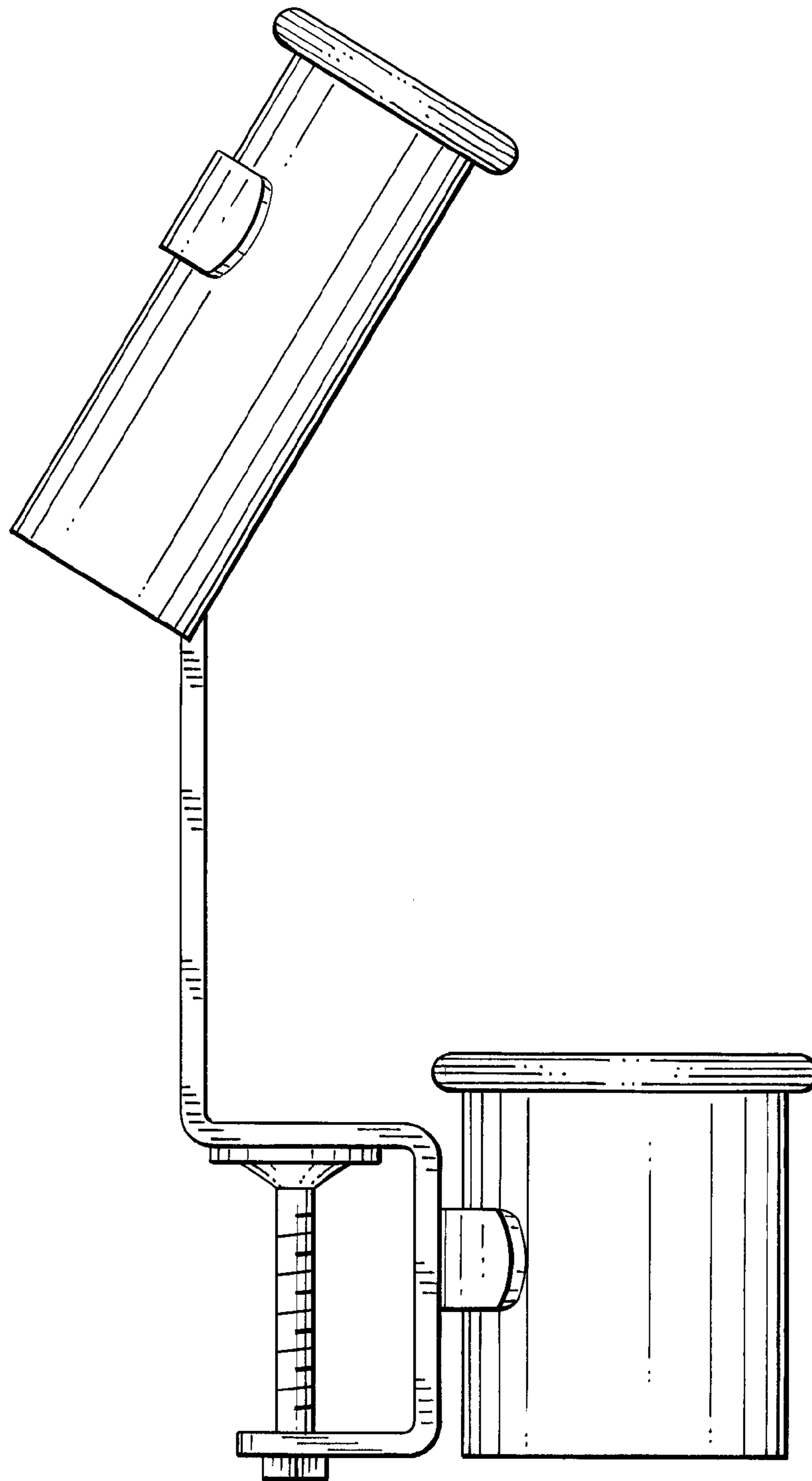


FIG.6

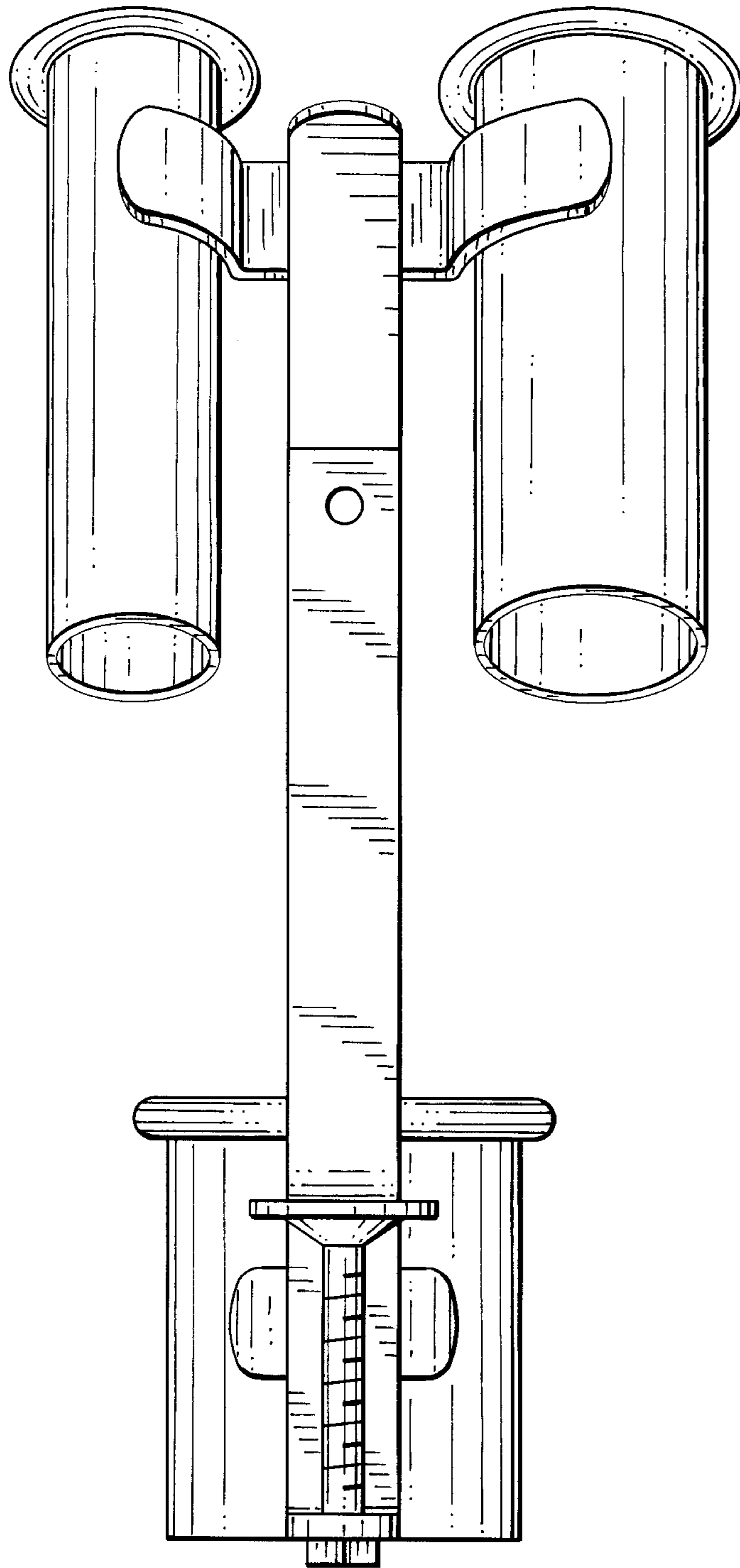


FIG. 7

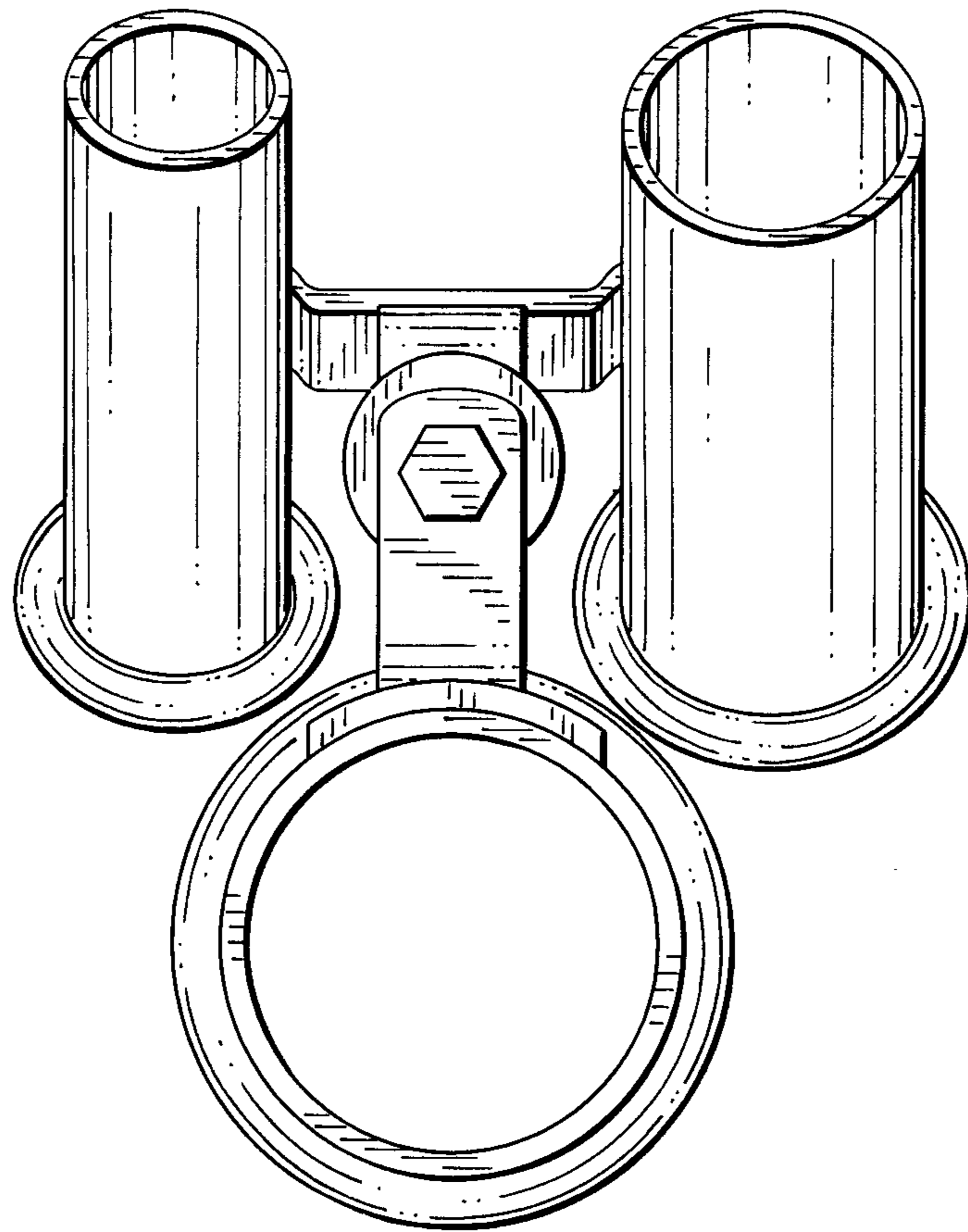


FIG.8