



US00D703382S

(12) **United States Design Patent**
Petrucelli

(10) **Patent No.:** **US D703,382 S**

(45) **Date of Patent:** **** Apr. 22, 2014**

(54) **WALL MOUNTABLE HOLDER WITH THREE DIMENSIONAL ARRAY OF TUBES FOR HOLDING HAIR STYLING TOOLS**

D640,003 S * 6/2011 Gilbert D28/38

* cited by examiner

(71) Applicant: **P.S. Pibbs, Inc.**, Flushing, NY (US)

Primary Examiner — Jennifer Rivard

(72) Inventor: **Giulio Petrucelli**, Flushing, NY (US)

(74) *Attorney, Agent, or Firm* — Gerald E. Hespos; Michael J. Porco; Matthew T. Hespos

(73) Assignee: **P.S. Pibbs, Inc.**, Flushing, NY (US)

(57) **CLAIM**

(**) Term: **14 Years**

The ornamental design for a wall mountable holder with three dimensional array of tubes for holding hair styling tools, as shown and described.

(21) Appl. No.: **29/454,851**

DESCRIPTION

(22) Filed: **May 15, 2013**

(51) **LOC (10) Cl.** **28-03**

(52) **U.S. Cl.**
USPC **D28/73; D28/38**

(58) **Field of Classification Search**
USPC 248/117.1–117.7, 249, 302, 176.2;
D8/373; D28/38, 73; D6/567, 570
See application file for complete search history.

FIG. 1 is a perspective view of a wall mountable holder with three dimensional array of tubes for holding hair styling tools in accordance with my design, with exemplary hair styling tools being shown in broken lines;

FIG. 2 is a perspective view similar to FIG. 1, but without the broken line depiction of the of the hair styling tools;

FIG. 3 is a top plan view of the wall mountable holder with three dimensional array of tubes for holding hair styling tools of FIG. 1;

FIG. 4 is a front elevational view thereof;

FIG. 5 is a left side elevational view thereof;

FIG. 6 is a right side elevational view thereof;

FIG. 7 is a rear elevational view thereof; and,

FIG. 8 is a bottom plan view thereof.

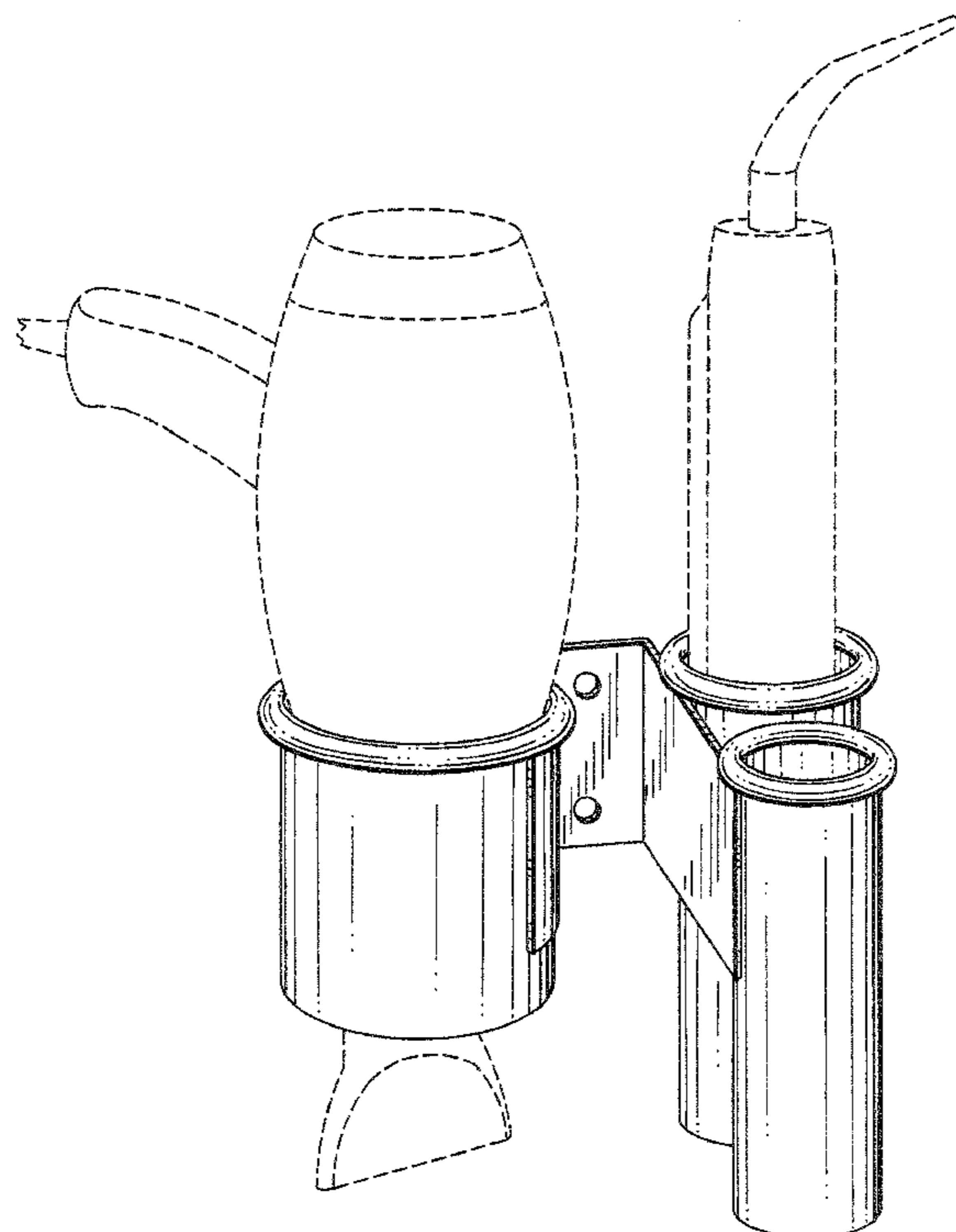
The broken lines shown in the drawings illustrate the environment of the holder and form no part of the claimed design.

(56) **References Cited**

U.S. PATENT DOCUMENTS

D243,559 S *	3/1977	Hoyle et al.	D28/38
D305,944 S *	2/1990	Mellott	D28/38
5,031,778 A *	7/1991	Edgecombe	248/176.1
D346,243 S *	4/1994	Weber	D28/38
6,209,732 B1 *	4/2001	Dennis et al.	211/70.6
D525,657 S *	7/2006	Warren, III	D28/73
D552,796 S *	10/2007	Petrucelli	D28/73

1 Claim, 8 Drawing Sheets



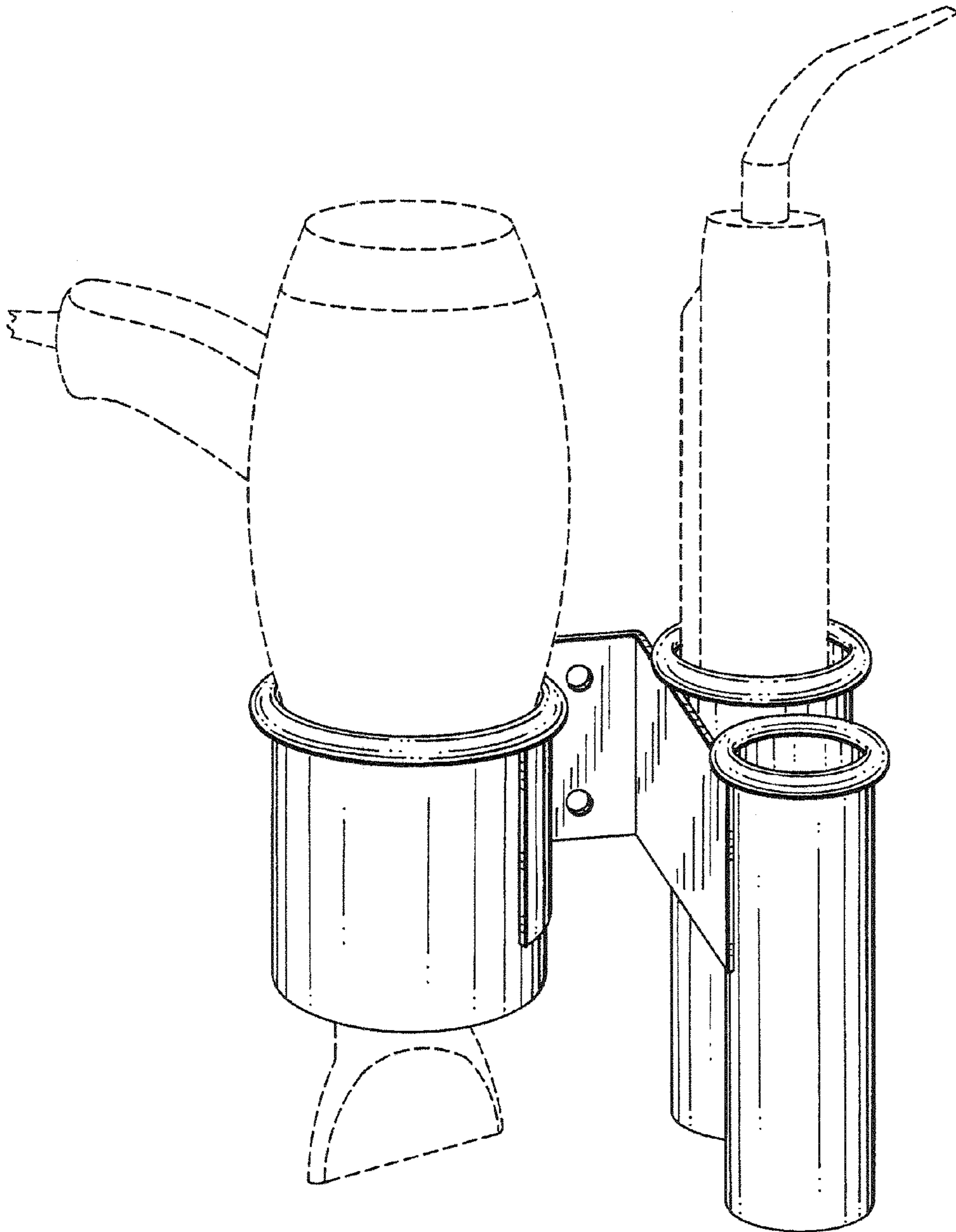


FIG. 1

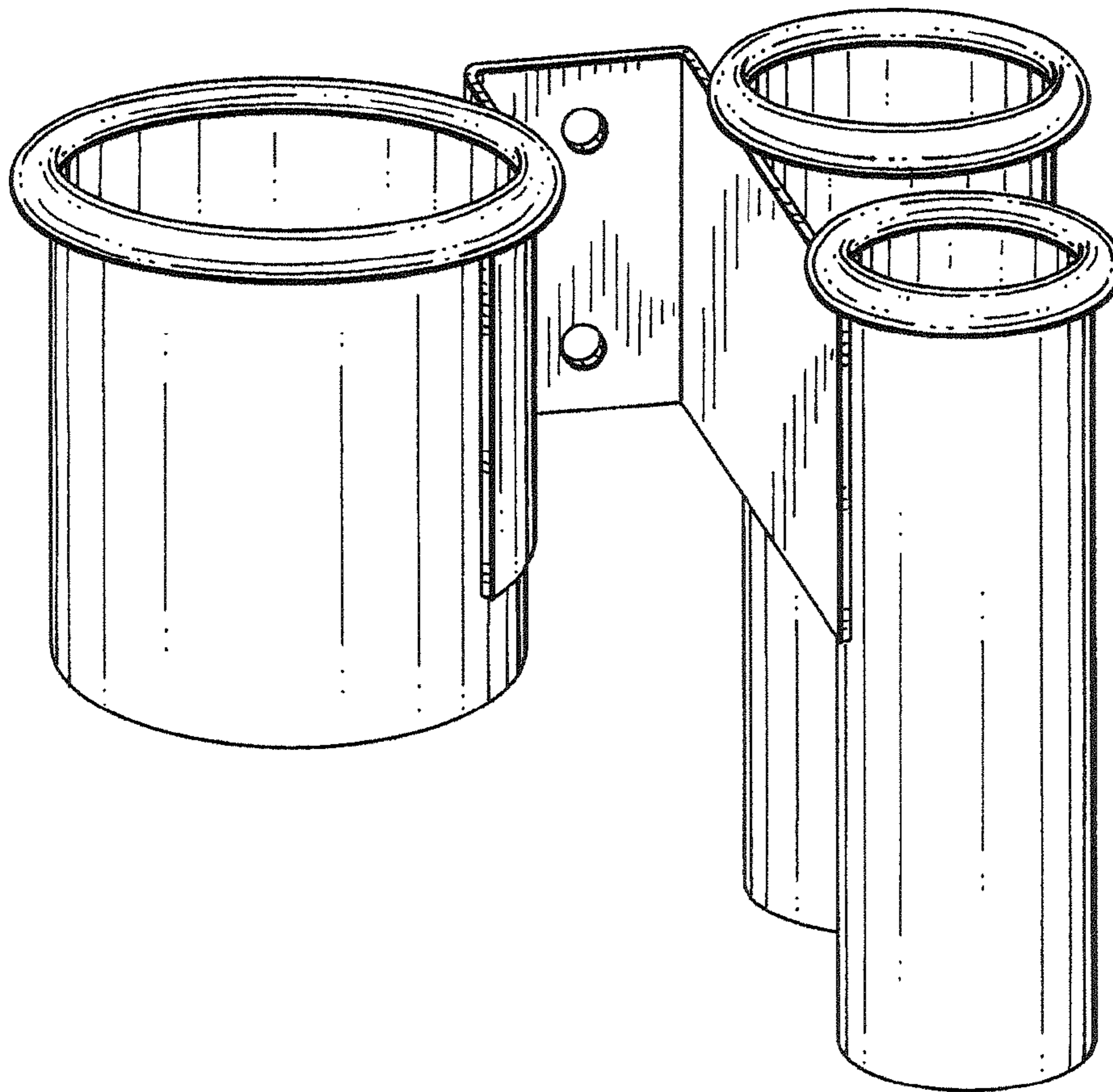


FIG.2

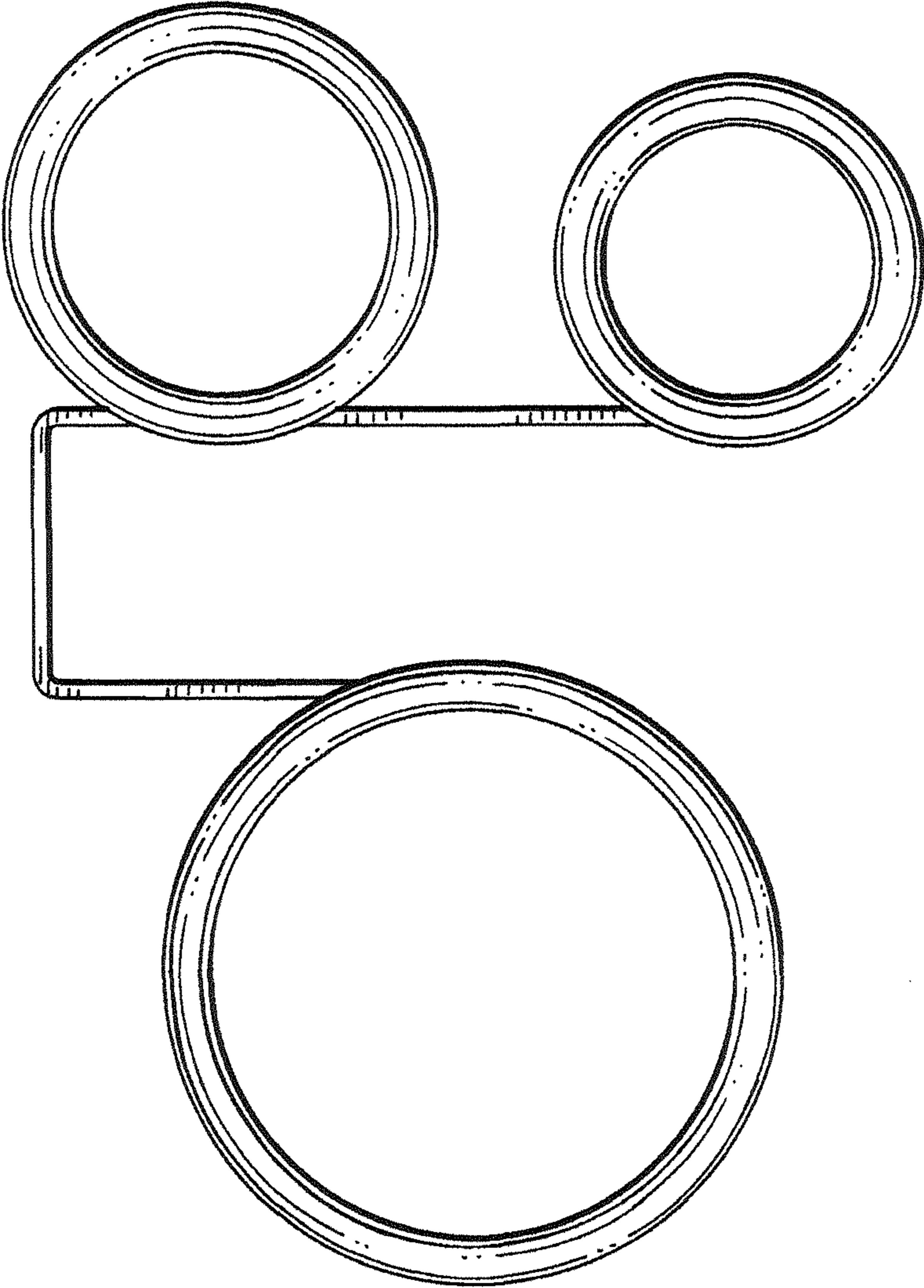


FIG.3

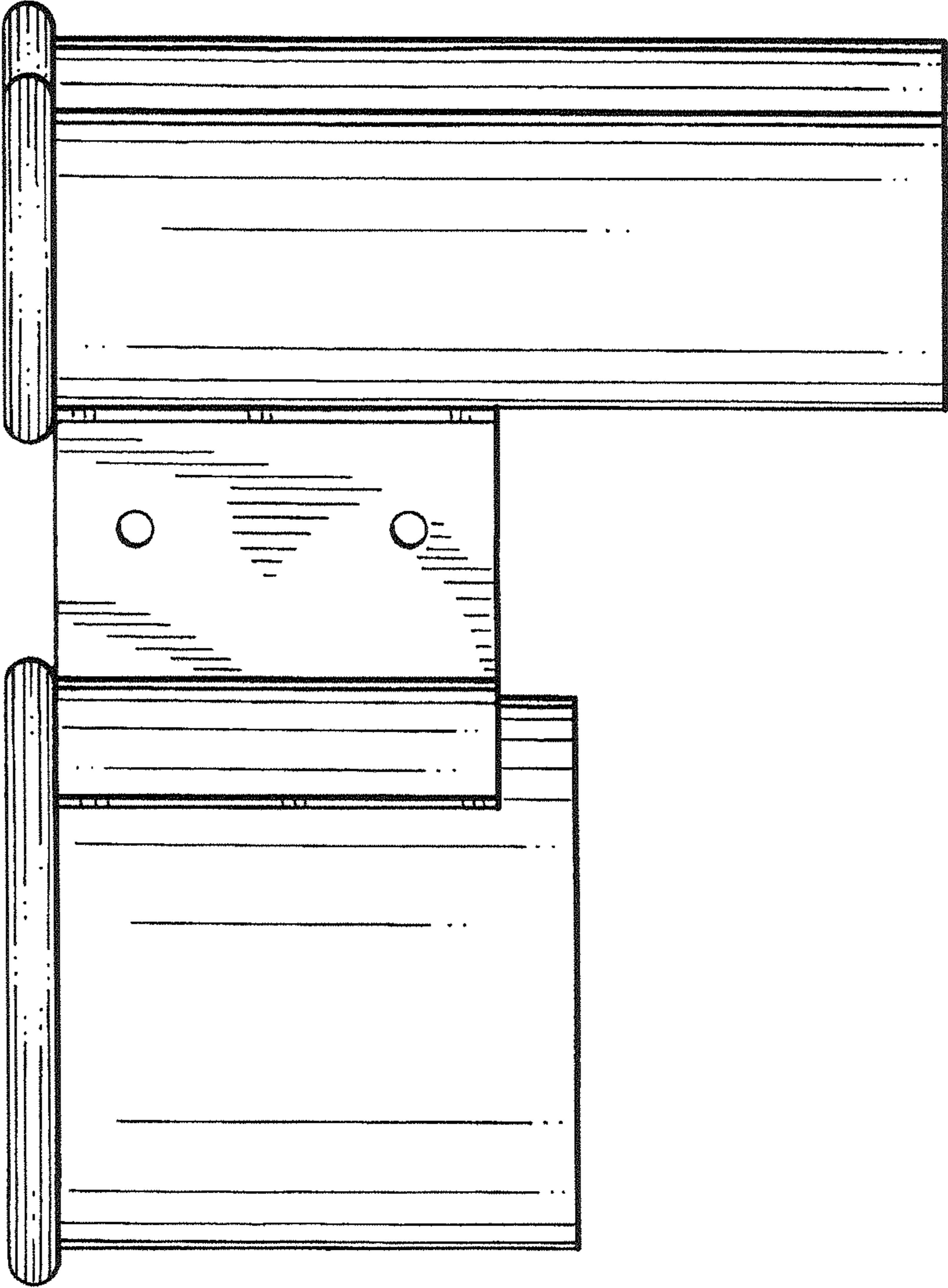


FIG. 4

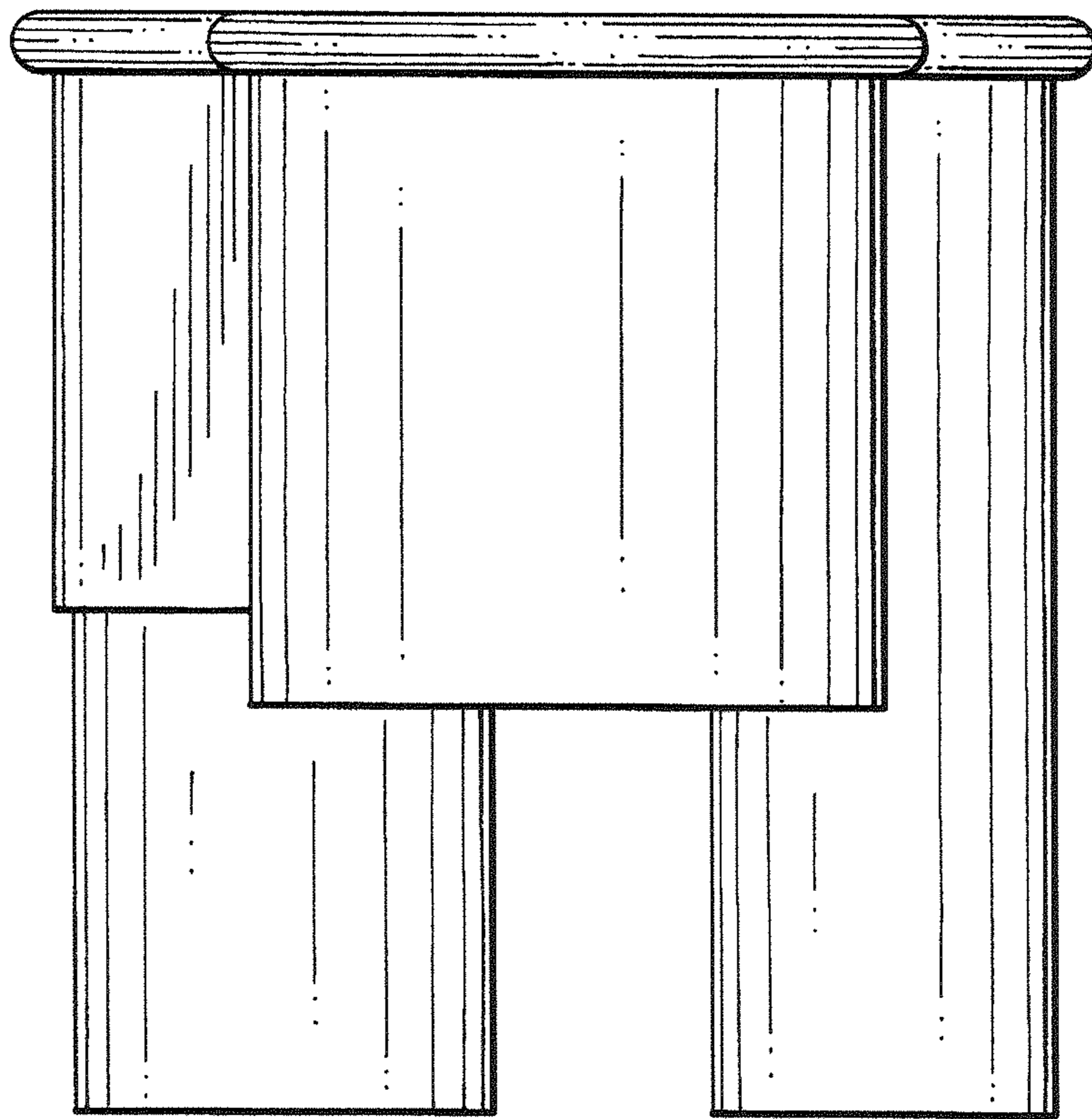


FIG.5

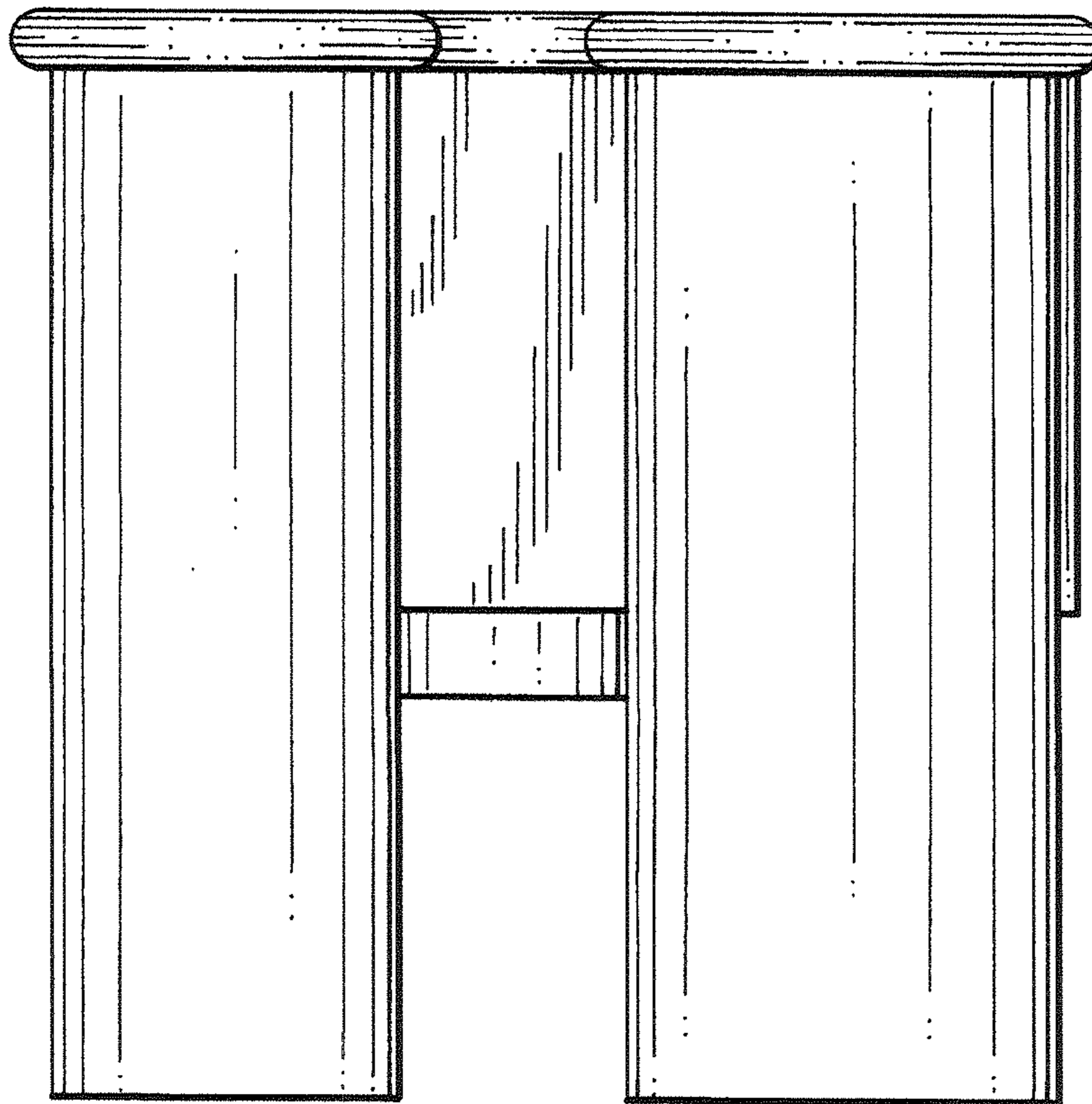


FIG.6

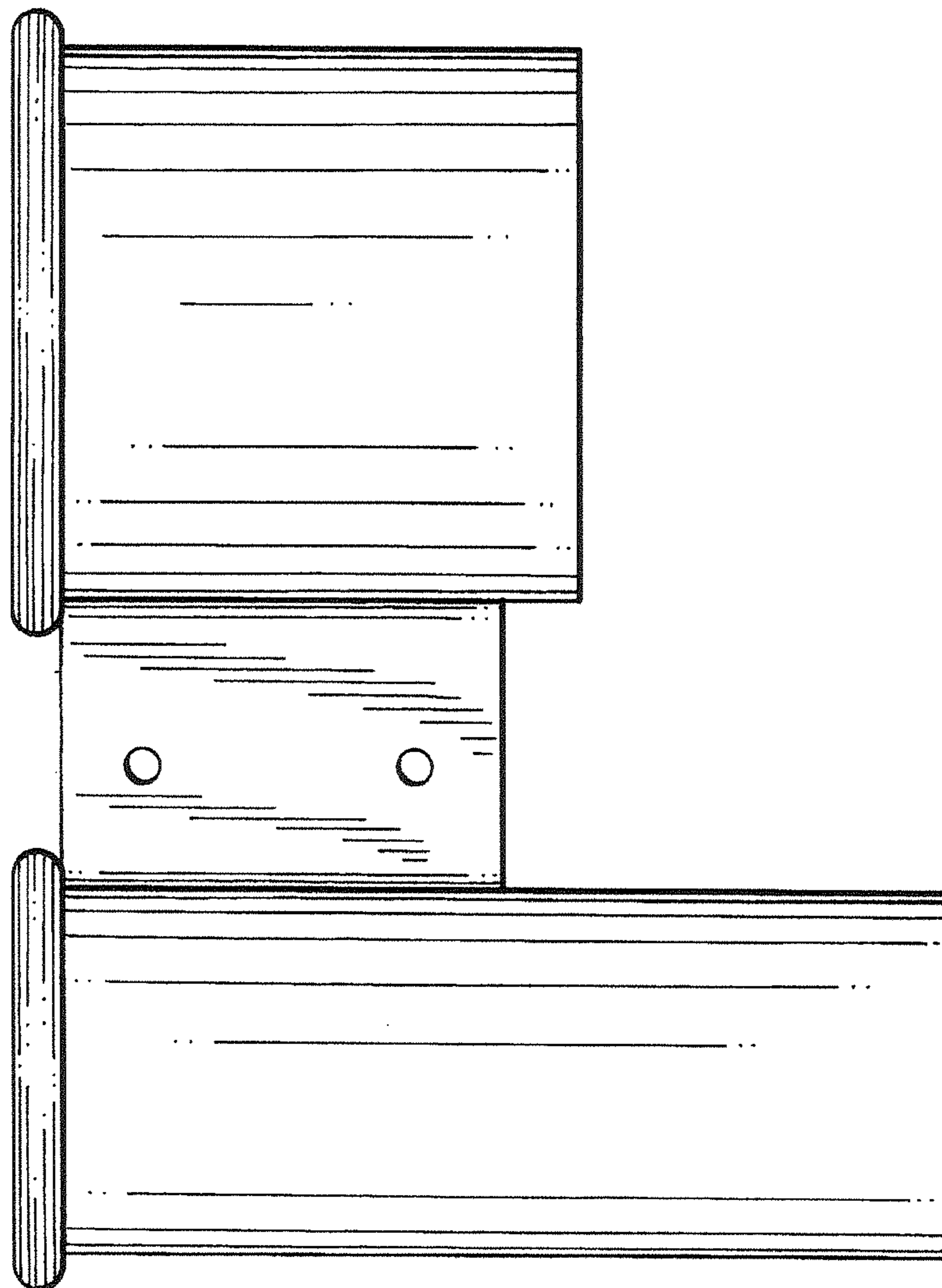


FIG. 7

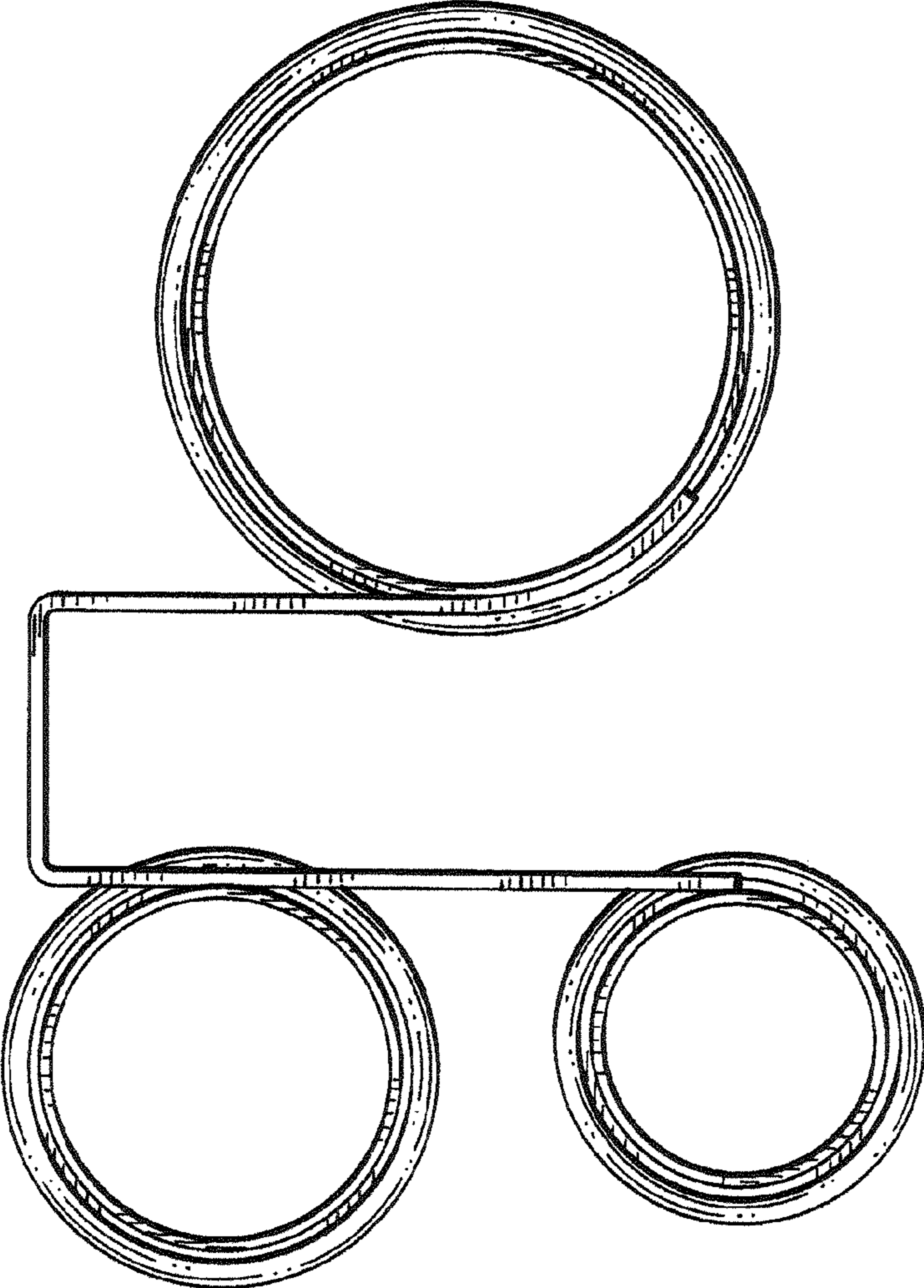


FIG. 8