



US00D703381S

(12) **United States Design Patent**
Petrucelli

(10) **Patent No.:** **US D703,381 S**
(45) **Date of Patent:** **** Apr. 22, 2014**

(54) **WALL MOUNTABLE HOLDER WITH
RETAINING RINGS FOR HOLDING HAIR
STYLING TOOLS**

(71) Applicant: **P.S. Pibbs, Inc.**, Flushing, NY (US)

(72) Inventor: **Giulio Petrucelli**, Flushing, NY (US)

(73) Assignee: **P.S. Pibbs, Inc.**, Flushing, NY (US)

(**) Term: **14 Years**

(21) Appl. No.: **29/454,155**

(22) Filed: **May 7, 2013**

(51) **LOC (10) Cl.** **28-03**

(52) **U.S. Cl.**
USPC **D28/73**; D28/38; D6/566

(58) **Field of Classification Search**
USPC 248/117.1-117.7, 249, 302, 176.2;
D8/373; D28/38, 73; D6/567, 570, 566
See application file for complete search history.

(56) **References Cited**

U.S. PATENT DOCUMENTS

386,939	A *	7/1888	Sterling	211/106
1,136,331	A *	4/1915	Harding	211/106
1,289,086	A *	12/1918	Baumann	211/106
1,685,277	A *	9/1928	Dryden	211/35
D260,463	S *	9/1981	Imus	D6/514

D387,933	S *	12/1997	Effron	D6/566
D401,461	S *	11/1998	Laga	D6/566
D406,715	S *	3/1999	Badillo	D6/567
6,209,732	B1 *	4/2001	Dennis et al.	211/70.6
6,820,755	B1 *	11/2004	Ranjit	211/70.6
D640,003	S *	6/2011	Gilbert	D28/38
2006/0289367	A1 *	12/2006	Cossey	211/13.1
2008/0164384	A1 *	7/2008	Rosen	248/117.1

* cited by examiner

Primary Examiner — Jennifer Rivard

(74) *Attorney, Agent, or Firm* — Gerald E. Hespos; Michael J. Porco; Matthew T. Hespos

(57) **CLAIM**

The ornamental design for a wall mountable holder with retaining rings for holding hair styling tools, as shown and described.

DESCRIPTION

FIG. 1 is a perspective view of a wall mountable holder with retaining rings for holding hair styling tools in accordance with my design;

FIG. 2 is a top plan view of the wall mountable holder with retaining rings for holding hair styling tools of FIG. 1, with the bottom plan view being a mirror image thereof;

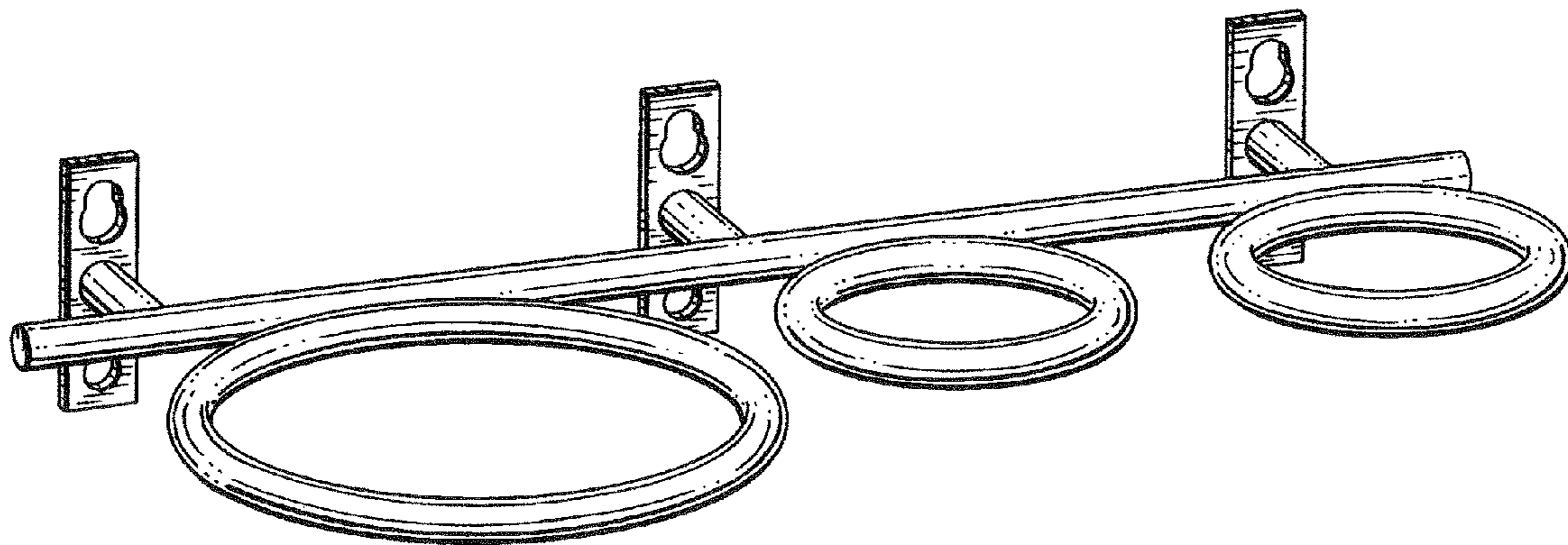
FIG. 3 is a front elevational view thereof;

FIG. 4 is a left side elevational view thereof;

FIG. 5 is a right side elevational view thereof; and,

FIG. 6 is a rear elevational view thereof.

1 Claim, 4 Drawing Sheets



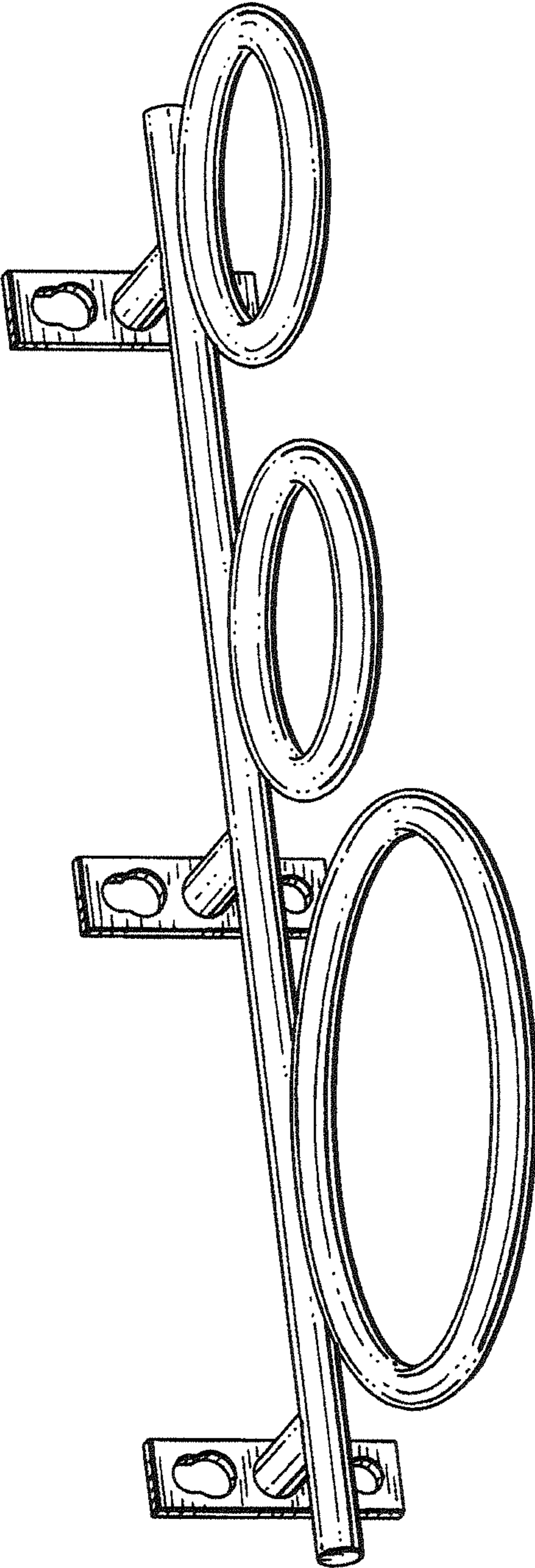


FIG.1

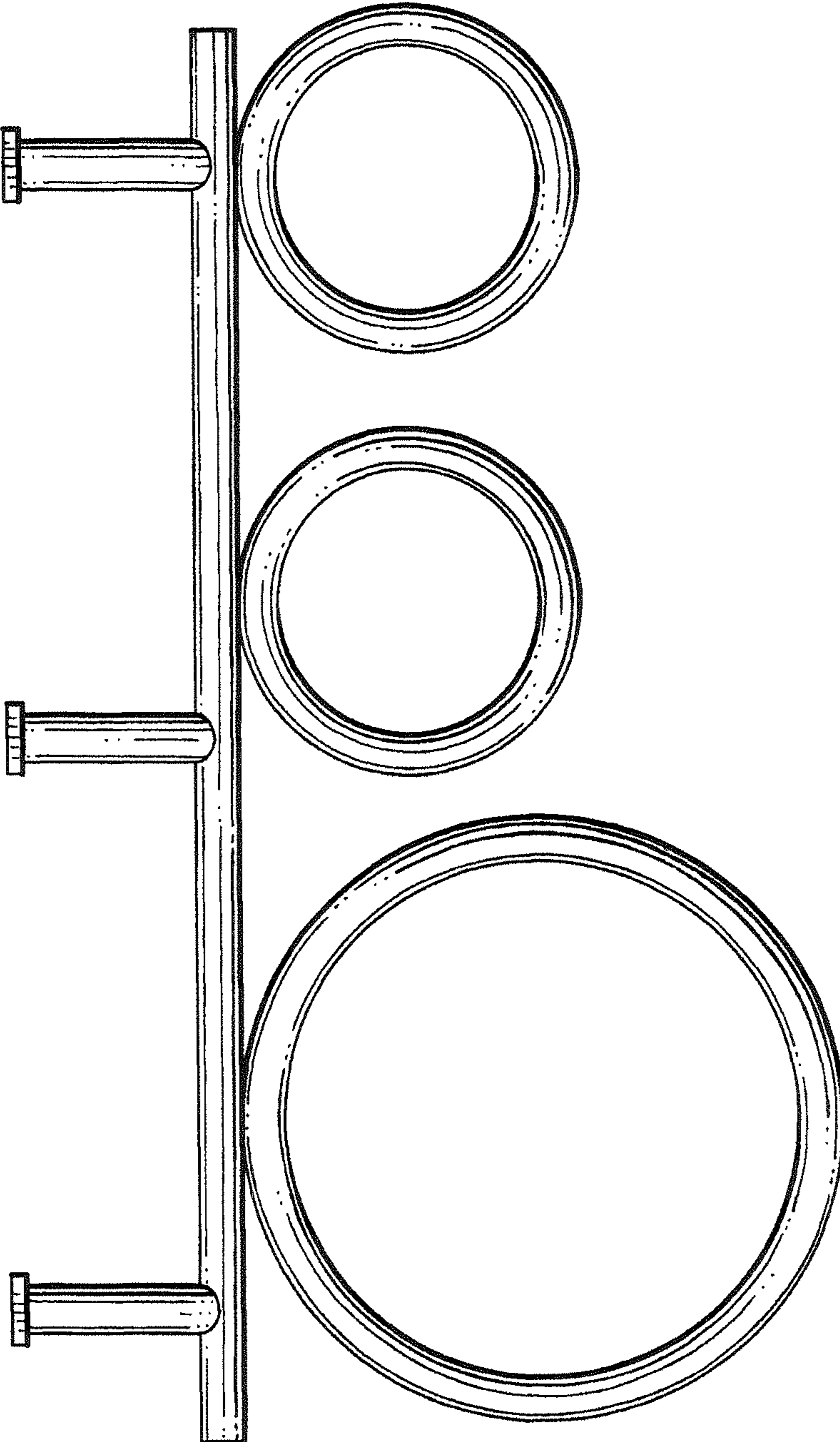


FIG.2

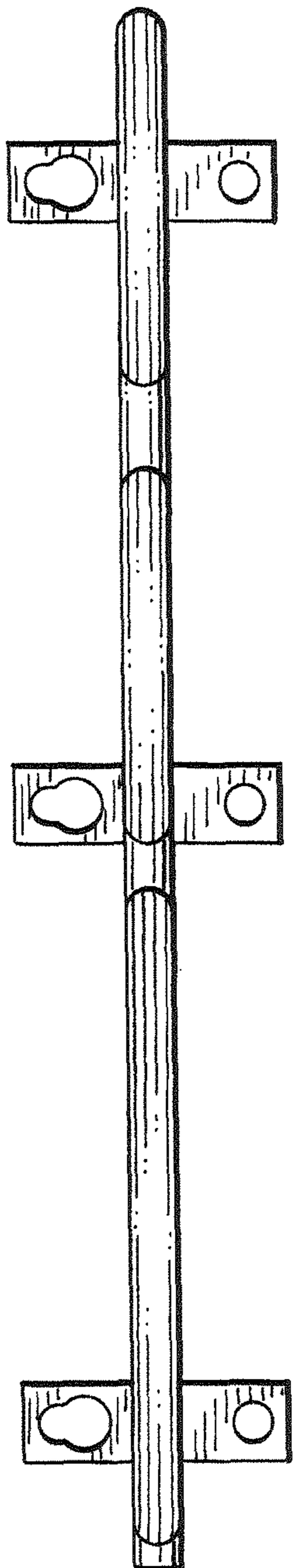


FIG. 3

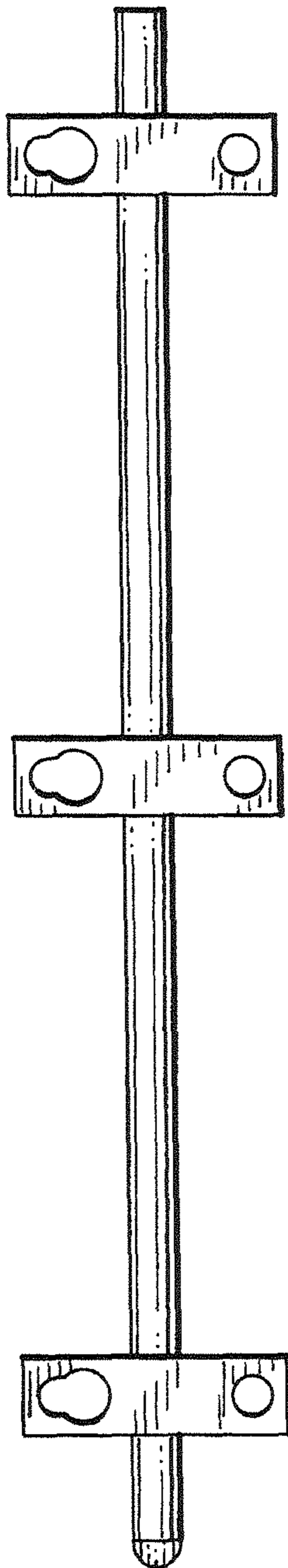


FIG. 6

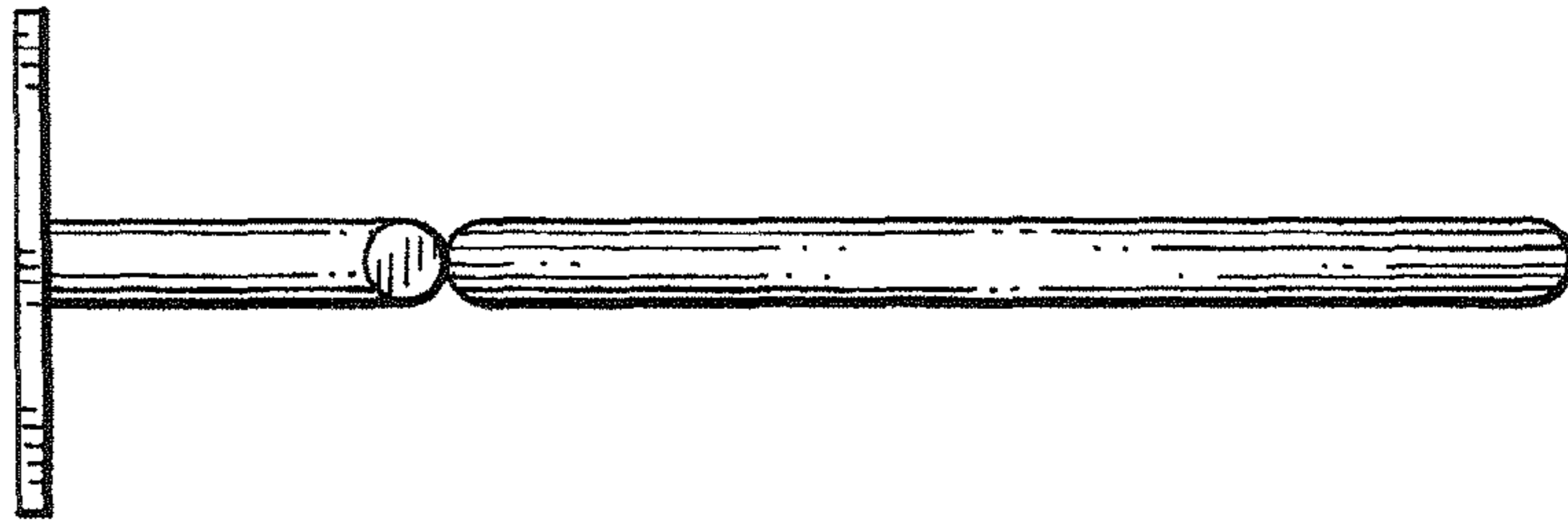


FIG. 4

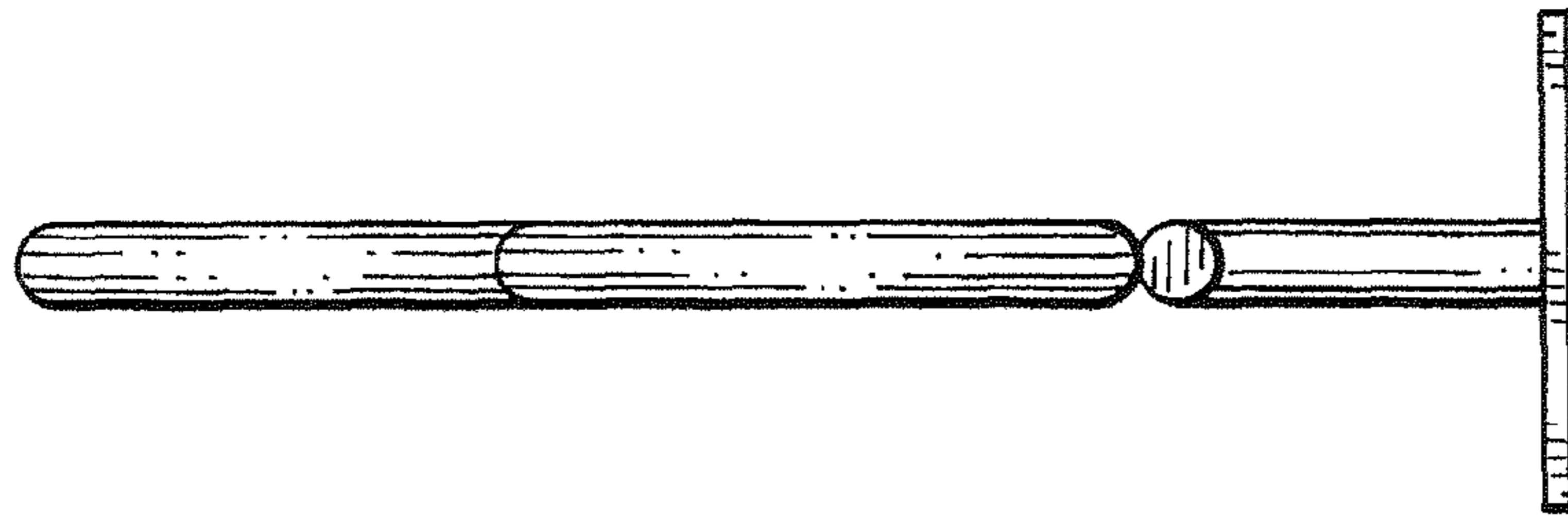


FIG. 5