



US00D703380S

(12) **United States Design Patent**
Lee

(10) **Patent No.:** **US D703,380 S**
(45) **Date of Patent:** **** Apr. 22, 2014**

(54) **NAIL DRYER**
(71) Applicant: **Withus Inc. Korea Co., Ltd.**, Seoul
(KR)
(72) Inventor: **Kwangkwon Lee**, Chungcheongnam-do
(KR)
(73) Assignee: **Withus Inc. Korea Co., Ltd.**, Seoul
(KR)

D489,489 S 5/2004 Khalaj
D587,850 S * 3/2009 Kato et al. D28/54.1
D592,806 S * 5/2009 Kato et al. D28/54.1
D597,706 S * 8/2009 Kato et al. D28/54.1
D601,302 S 9/2009 Chang
D604,458 S * 11/2009 Kato et al. D28/54.1
D637,350 S * 5/2011 Kato et al. D28/54.1
D664,299 S * 7/2012 Ishida D28/54.1
D680,272 S 4/2013 Cheng
2010/0293805 A1 11/2010 Chang

(**) Term: **14 Years**
(21) Appl. No.: **29/443,512**
(22) Filed: **Jan. 18, 2013**

OTHER PUBLICATIONS
U.S. Appl. No. 29/443,510, filed Jan. 18, 2013.

(30) **Foreign Application Priority Data**
Jul. 19, 2012 (KR) 30-2012-0035179
(51) **LOC (10) Cl.** **28-03**
(52) **U.S. Cl.**
USPC **D28/58; D28/54.1**
(58) **Field of Classification Search**
USPC D28/54.1, 56-58; 250/492.1,
250/504 R-504 H; D24/210; 34/275, 202,
34/90; 132/73-76.5
See application file for complete search history.

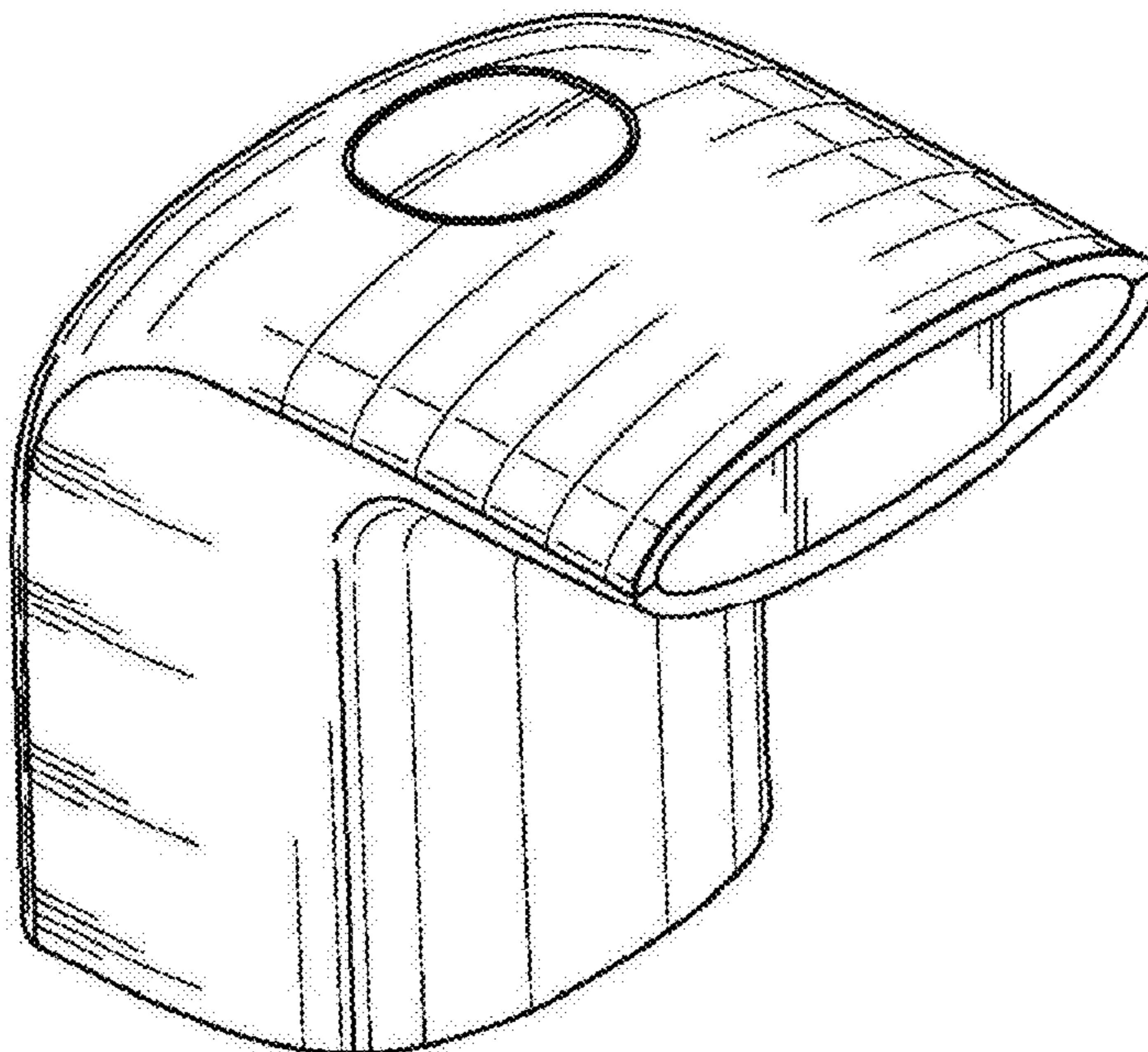
* cited by examiner
Primary Examiner — Jennifer Rivard
(74) *Attorney, Agent, or Firm* — Lando & Anastasi, LLP

(56) **References Cited**
U.S. PATENT DOCUMENTS
D279,412 S * 6/1985 Fung D28/58
D450,389 S 11/2001 Chang

(57) **CLAIM**
The ornamental design for a nail dryer, as shown and described.

DESCRIPTION
FIG. 1 is a perspective view of the nail dryer according to our new design;
FIG. 2 is a front view thereof;
FIG. 3 is a rear view thereof;
FIG. 4 is a side view as seen from the left side in FIG. 2;
FIG. 5 is a side view as seen from the right side in FIG. 2;
FIG. 6 is a top view thereof; and,
FIG. 7 is a bottom view thereof.

1 Claim, 7 Drawing Sheets



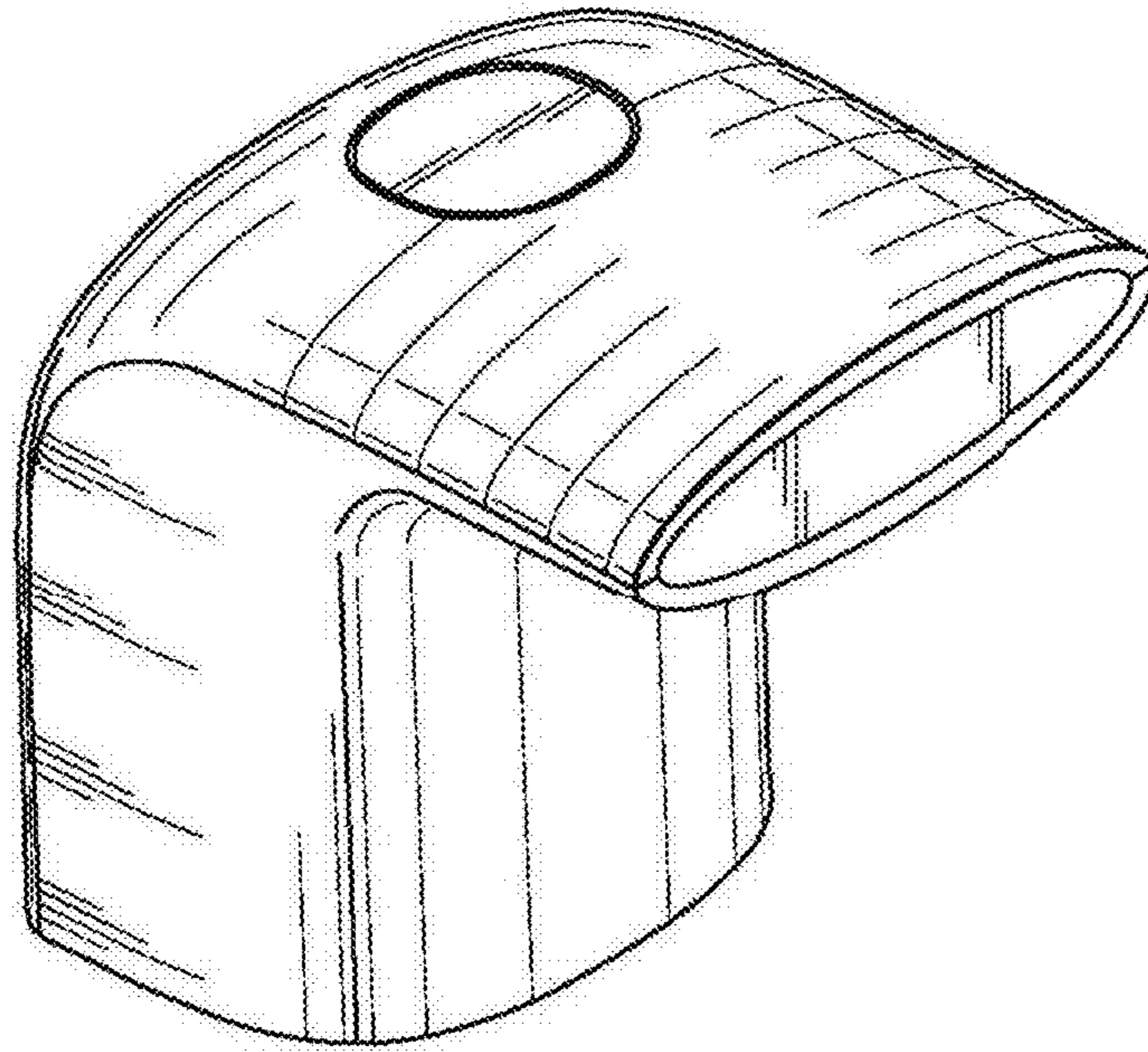


FIG. 1

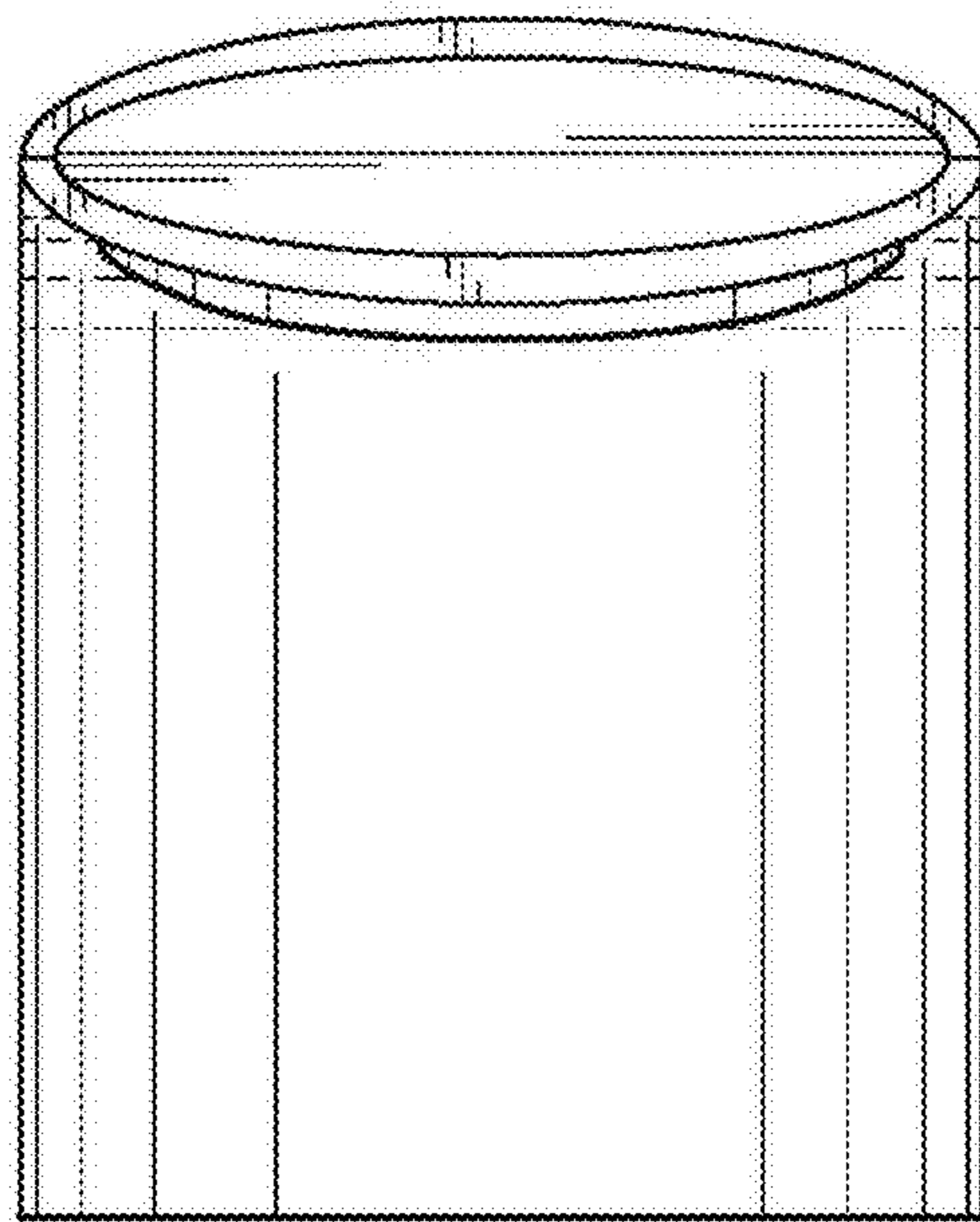


FIG. 2

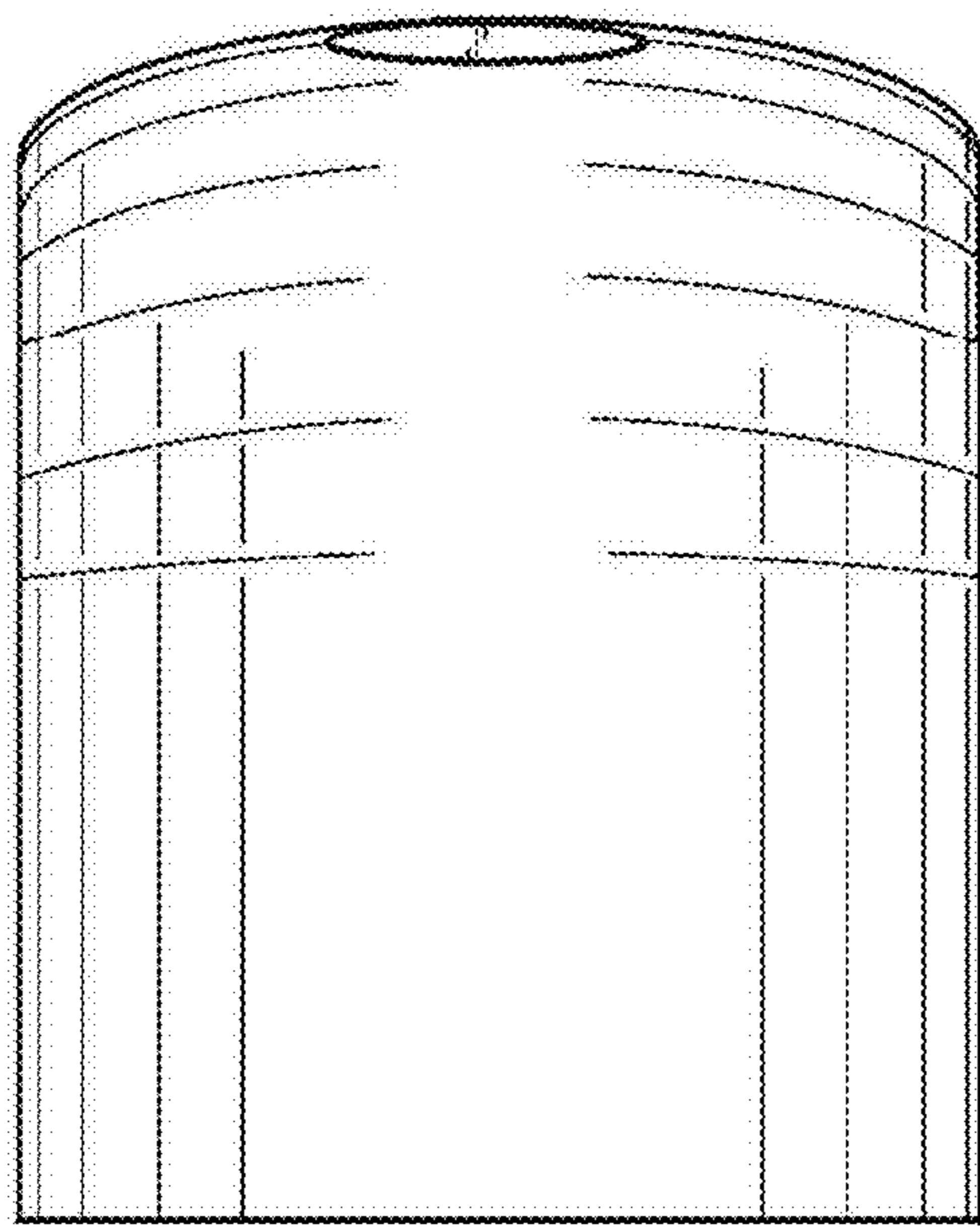


FIG. 3

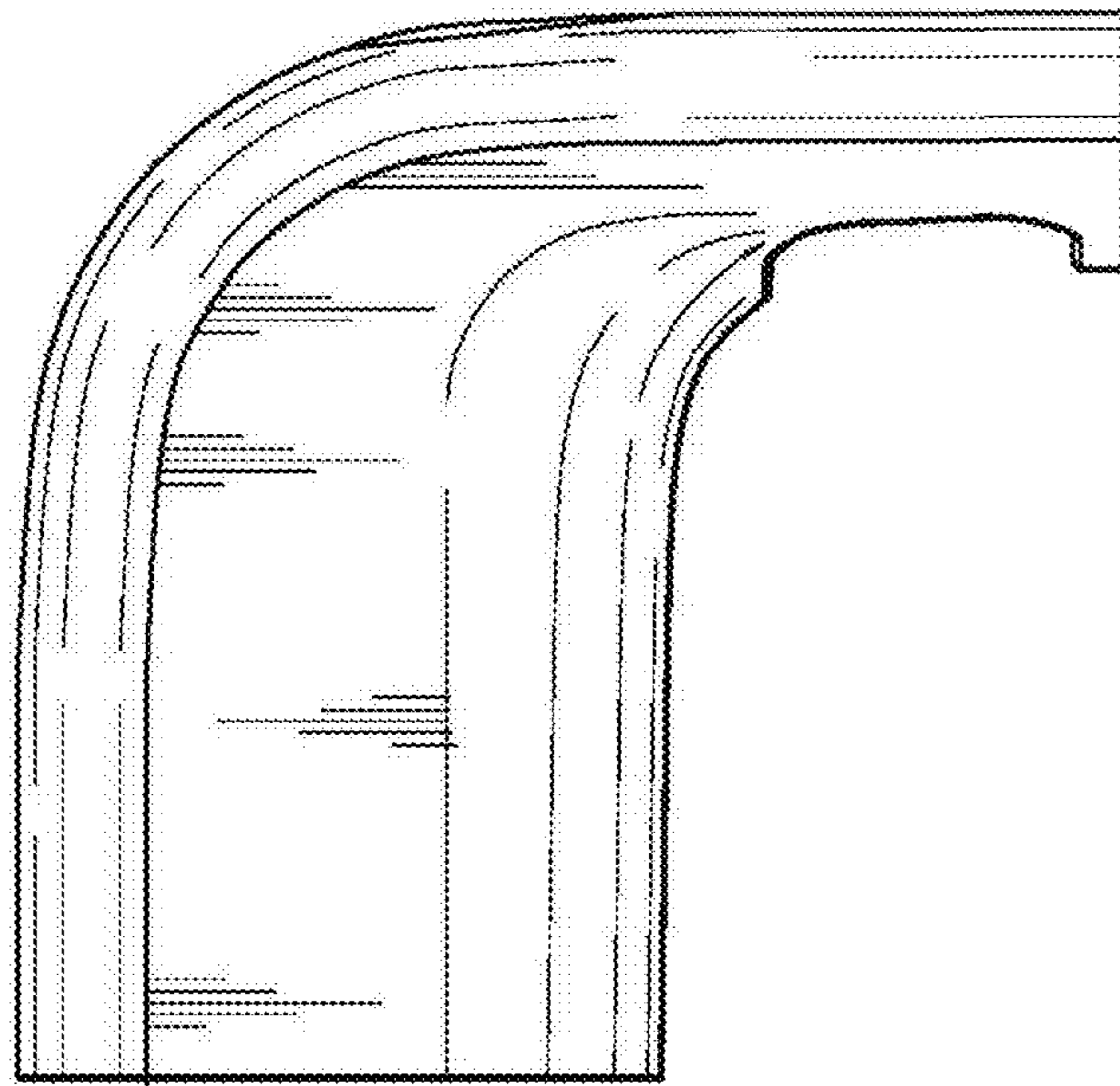


FIG. 4

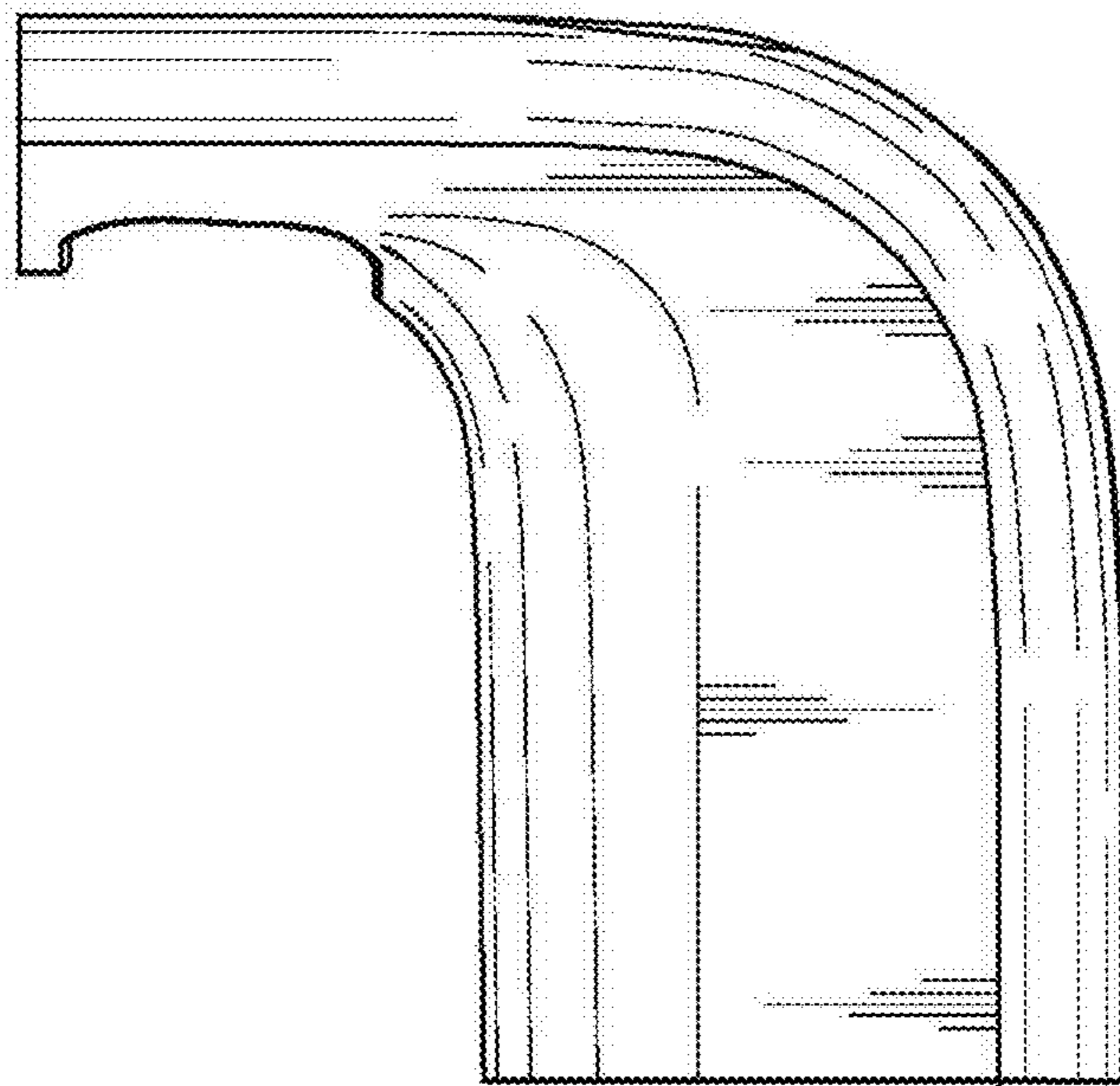


FIG. 5

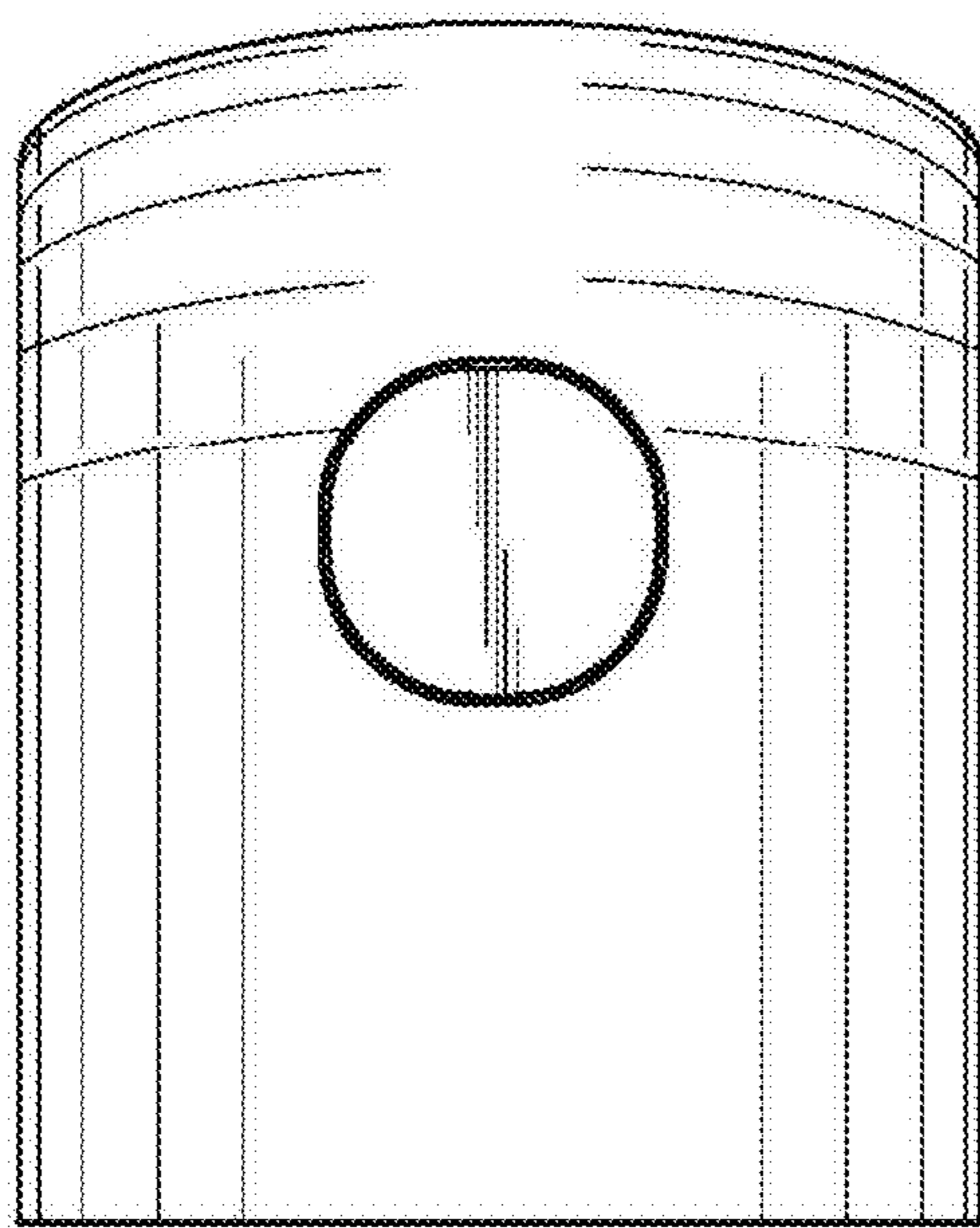


FIG. 6

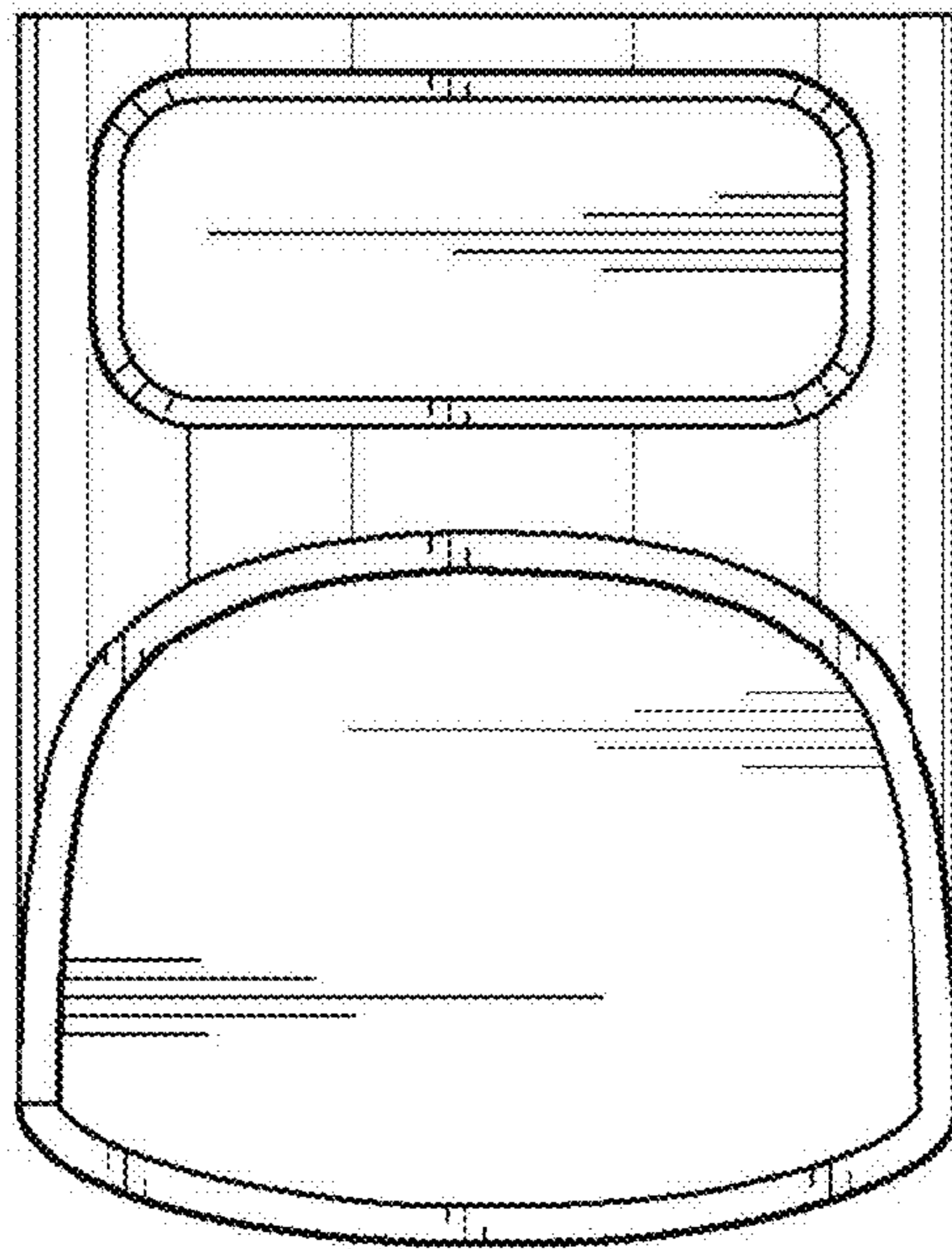


FIG. 7