



US00D703377S

(12) **United States Design Patent**
Christie et al.

(10) **Patent No.:** **US D703,377 S**
(45) **Date of Patent:** **** Apr. 22, 2014**

(54) **RAZOR HANDLE**

(71) Applicant: **The Gillette Company**, Boston, MA
(US)

(72) Inventors: **Vanessa Christie**, Boston, MA (US);
Alexander Stephen Forti, Dedham, MA
(US)

(73) Assignee: **The Gillette Company**, Boston, MA
(US)

(**) Term: **14 Years**

(21) Appl. No.: **29/458,336**

(22) Filed: **Jun. 18, 2013**

(51) **LOC (10) Cl.** **28-03**

(52) **U.S. Cl.**
USPC **D28/48**

(58) **Field of Classification Search**
USPC 30/32, 34.05, 34.1-34.2, 41.9, 40-40.2,
30/41, 42-46, 47-52, 57-84, 526-541,
30/346.5-346.61; D28/44-48
See application file for complete search history.

(56) **References Cited**

U.S. PATENT DOCUMENTS

D396,129 S *	7/1998	Gray	D28/46
D587,846 S *	3/2009	Wonderley et al.	D28/48
D599,955 S *	9/2009	Provost	D28/46
D603,560 S *	11/2009	Micinilio	D28/48
D618,852 S *	6/2010	Christie et al.	D28/47
D624,699 S *	9/2010	Micinilio	D28/46

D627,929 S *	11/2010	Haba	D28/46
D634,894 S *	3/2011	Cataudella	D28/48
D635,716 S *	4/2011	Rhoad	D28/46
D636,937 S *	4/2011	Furuta	D28/48
D661,020 S *	5/2012	Wain et al.	D28/46
D662,664 S *	6/2012	Hasegawa	D28/48
D664,715 S *	7/2012	Wain et al.	D28/48
8,273,205 B2 *	9/2012	Murgida	156/242

* cited by examiner

Primary Examiner — Jennifer Rivard

(74) *Attorney, Agent, or Firm* — Joanne N. Pappas; Kevin C. Johnson; Steven W. Miller

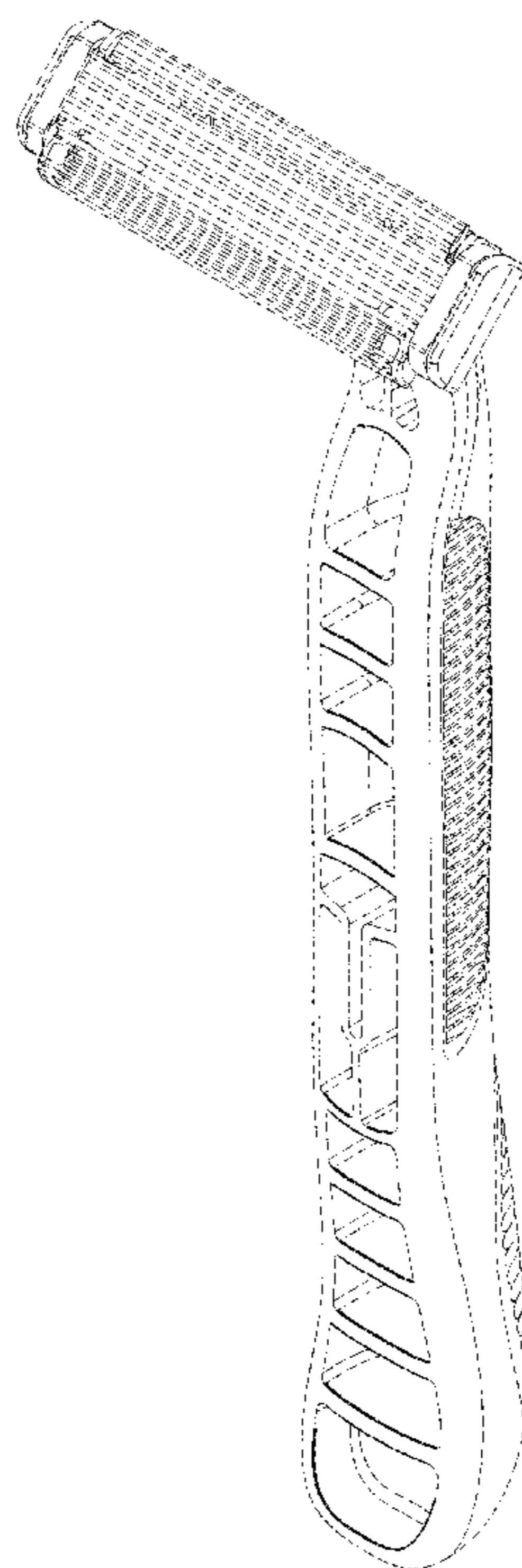
(57) **CLAIM**

The ornamental design for a razor handle, as shown and described.

DESCRIPTION

FIG. 1 is a perspective view of a design for a razor handle having curved surfaces according to the present invention; FIG. 2 is a front view thereof; FIG. 3 is a back view thereof; FIG. 4 is a top view thereof; FIG. 5 is a bottom view thereof; FIG. 6 is a left side view thereof; FIG. 7 is a right side view thereof; and, FIG. 8 is another perspective view thereof. The dash broken lines are directed to the environment and are for illustrative purposes only and form no part of the claimed design.

1 Claim, 5 Drawing Sheets



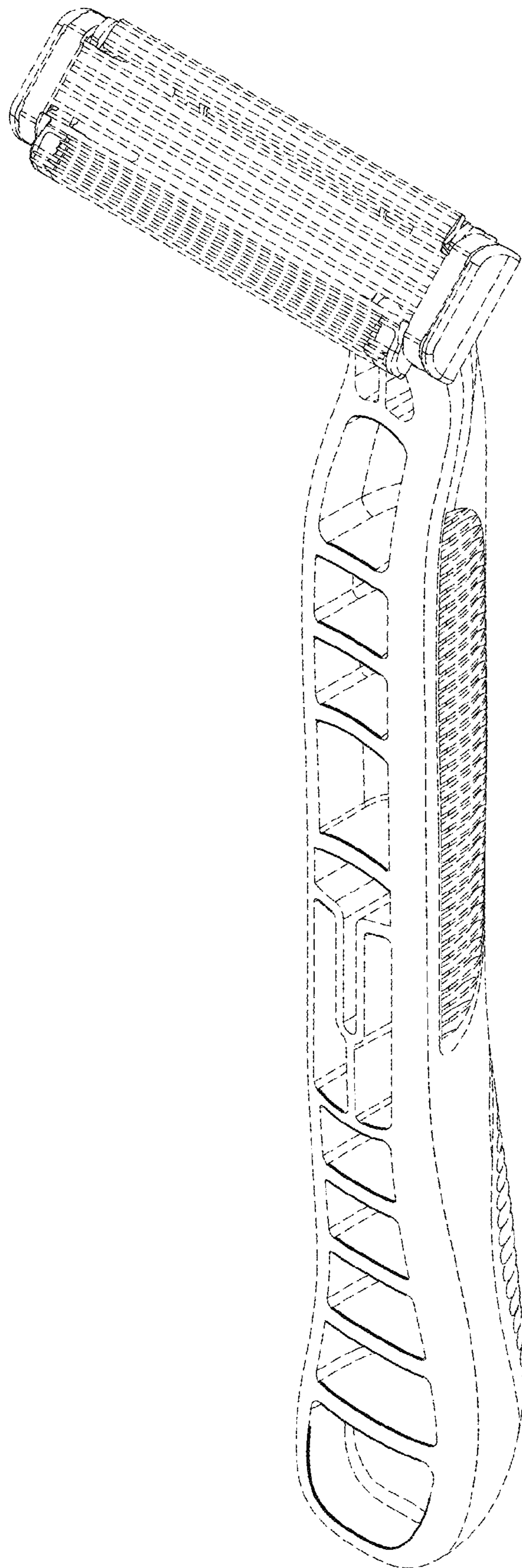


FIG. 1

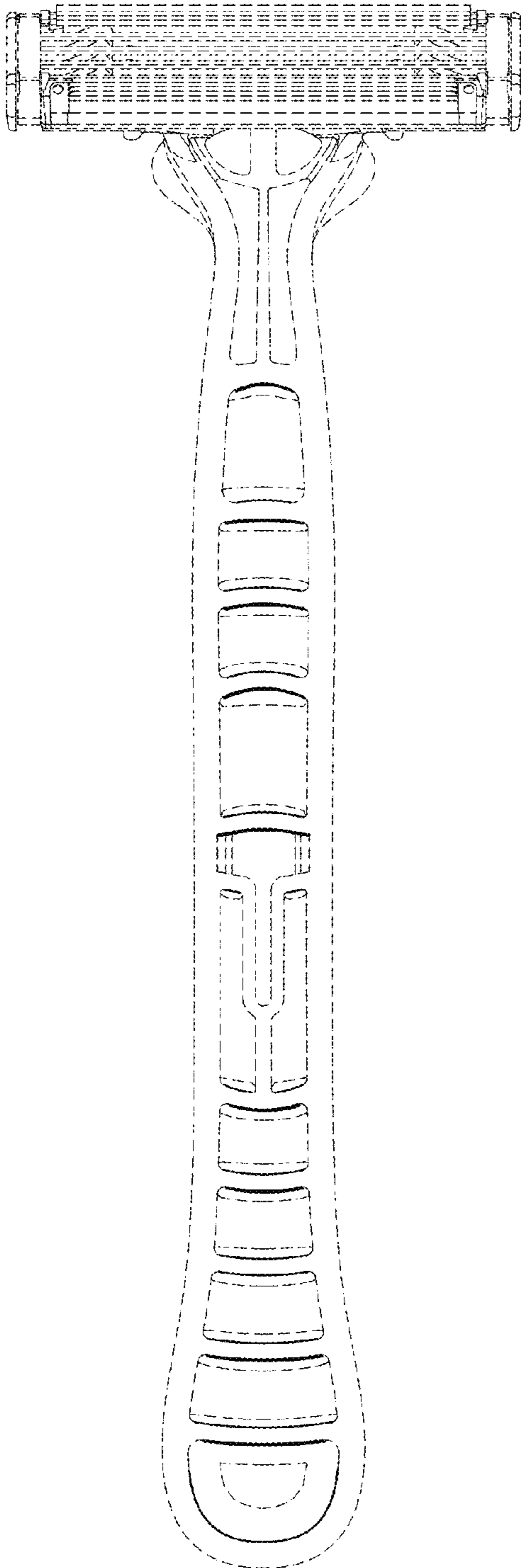


FIG. 2

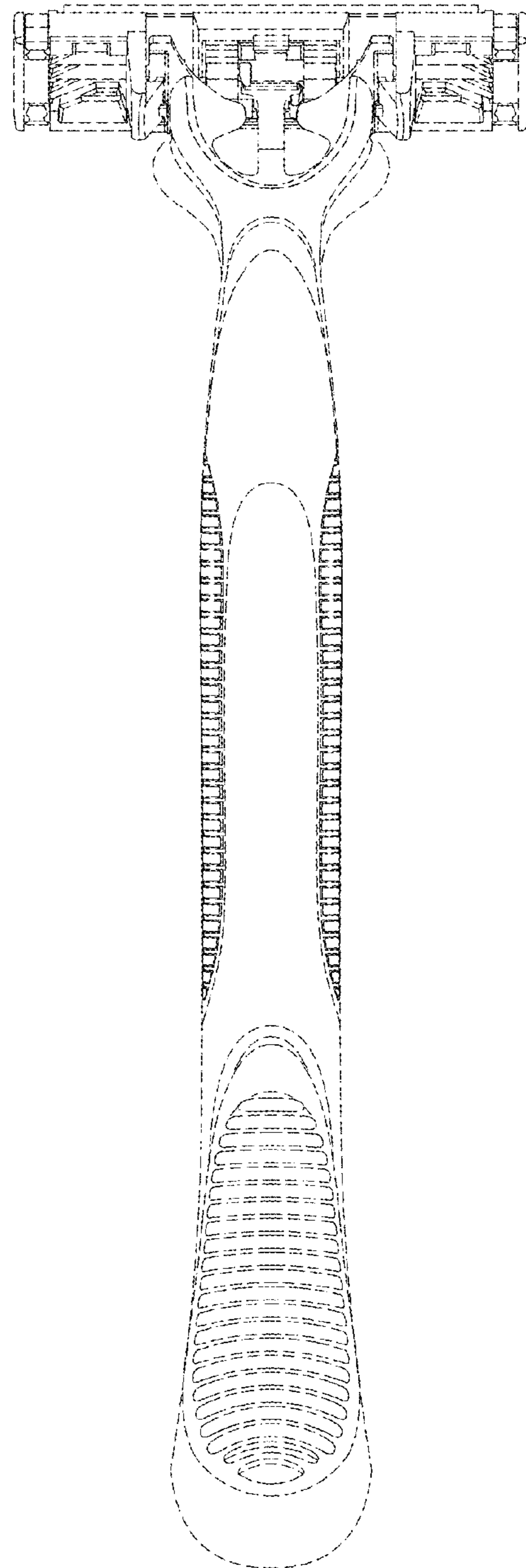


FIG. 3

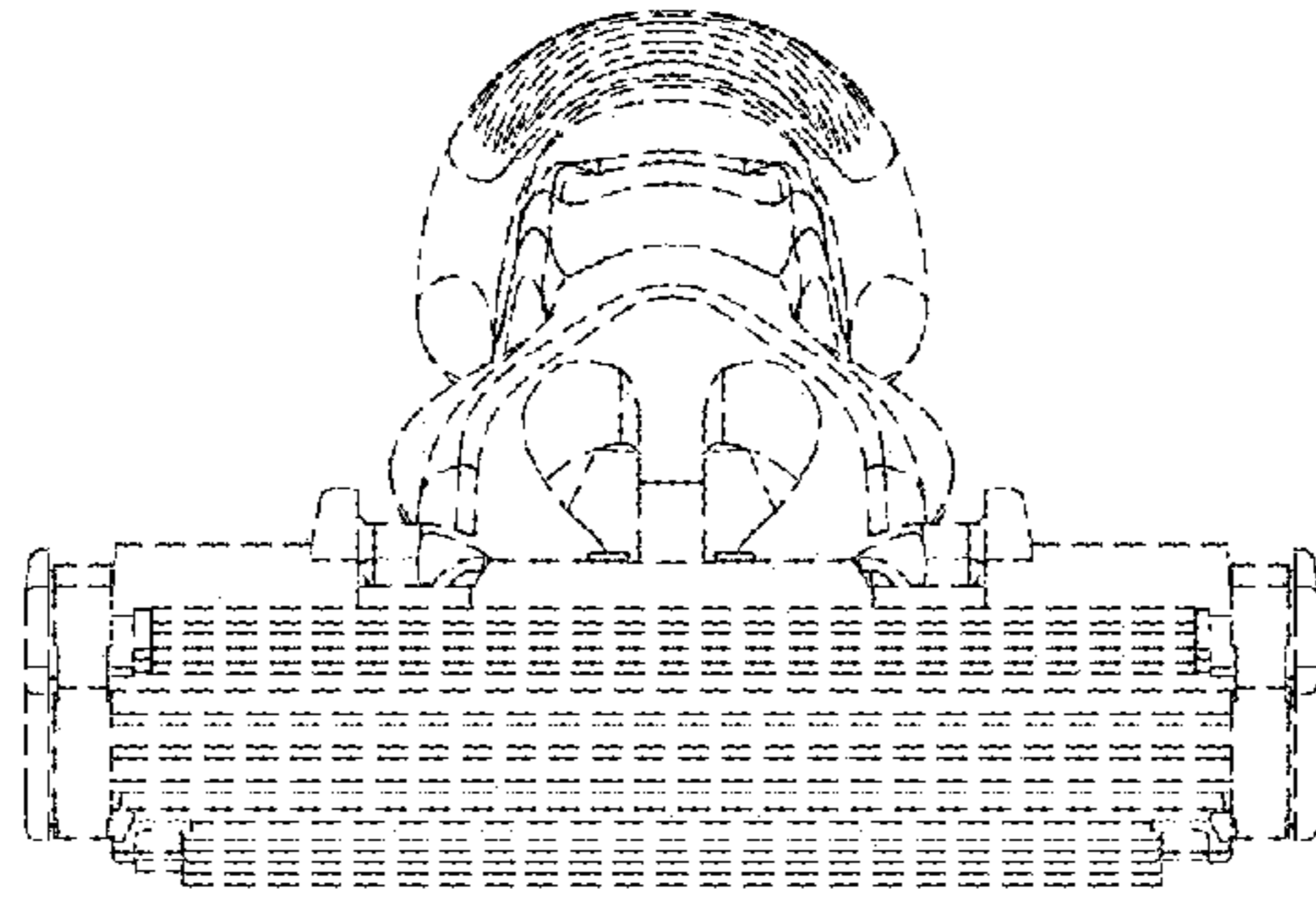


FIG. 4

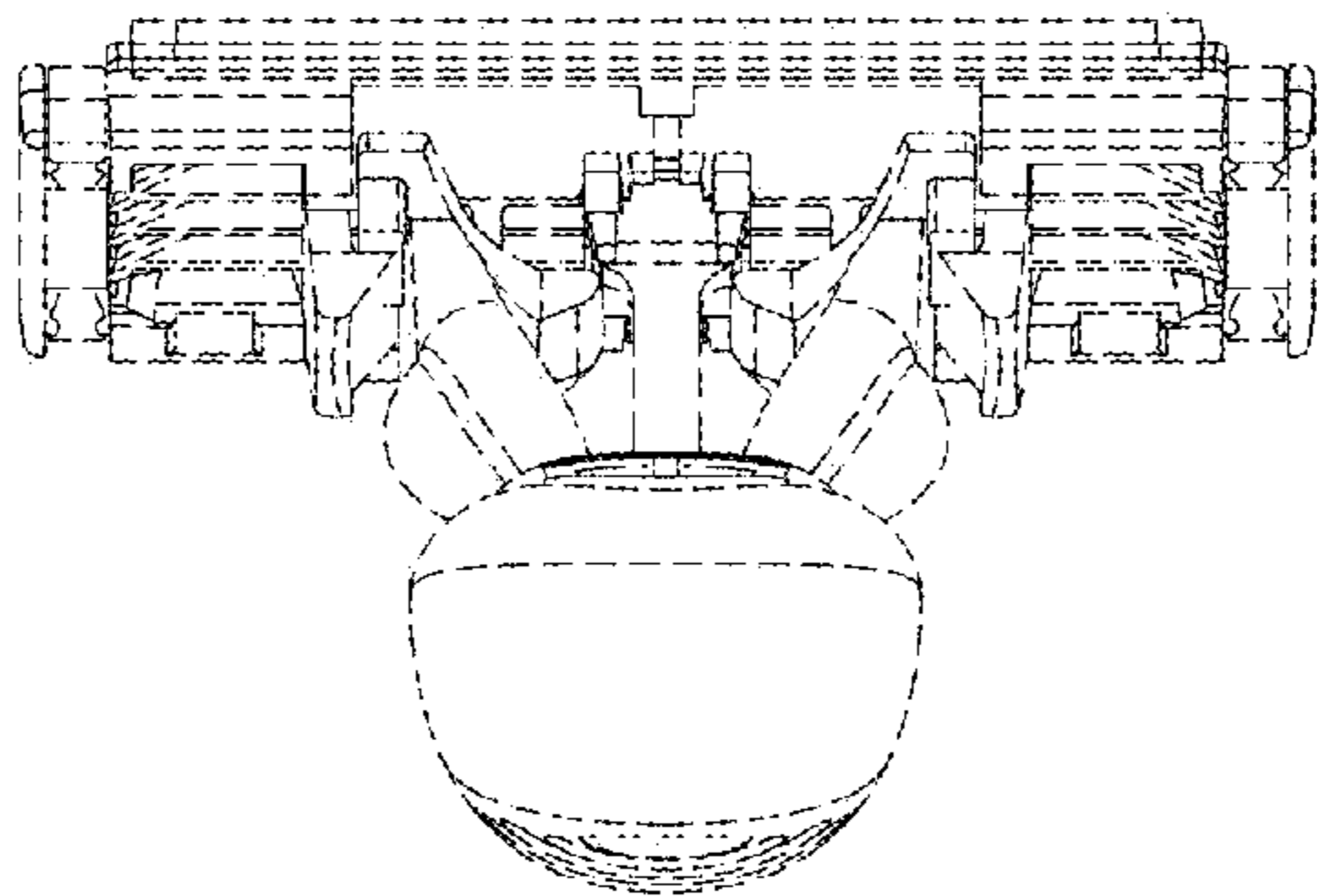


FIG. 5

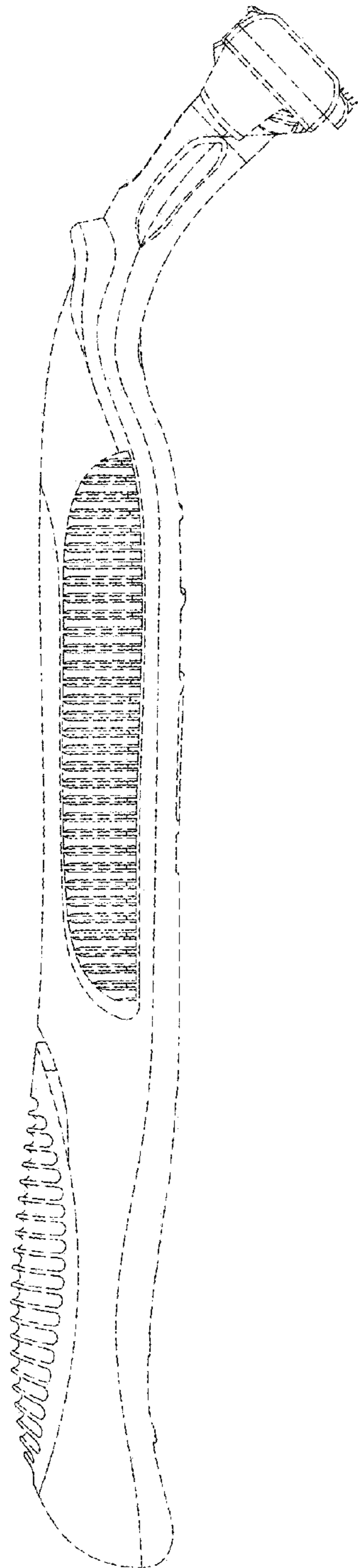


FIG. 6

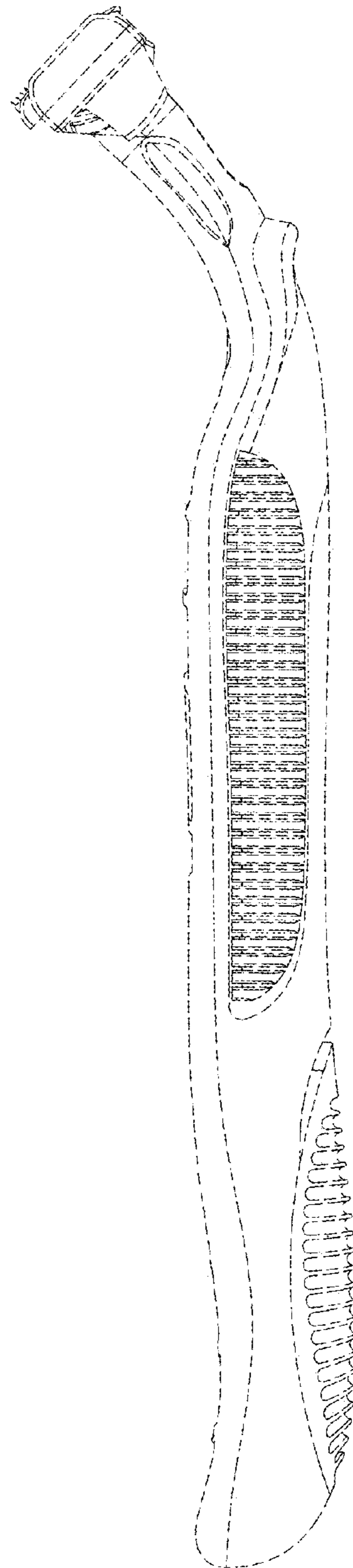


FIG. 7

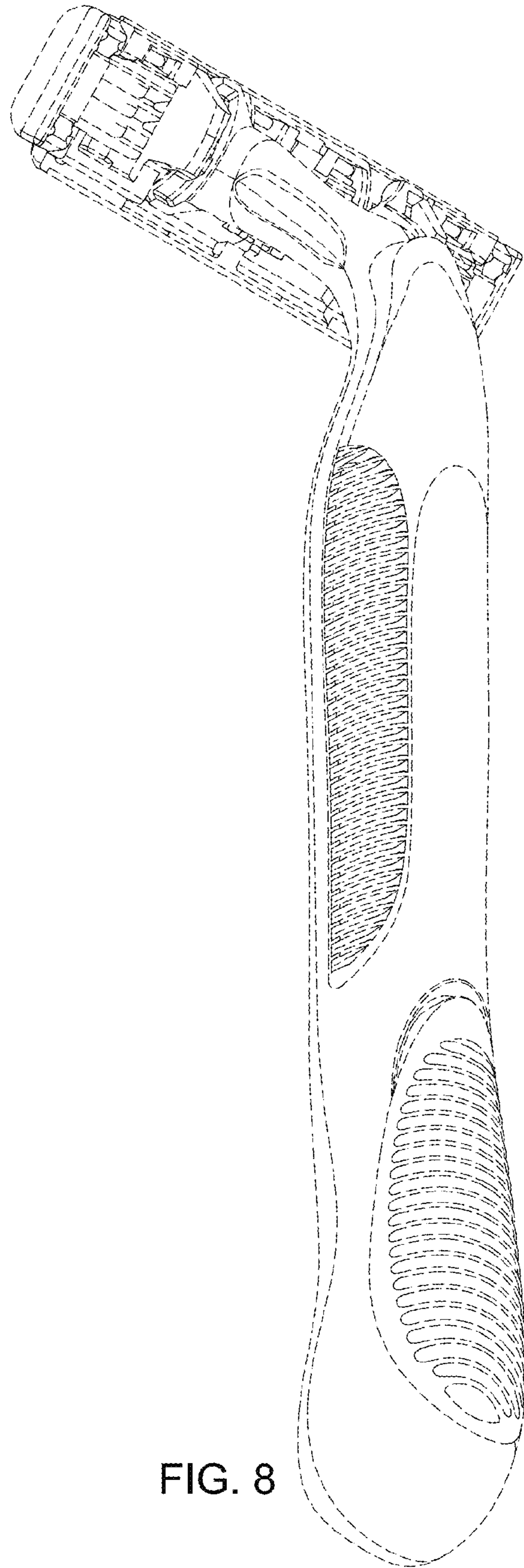


FIG. 8