



US00D703375S

(12) **United States Design Patent**  
**Moll**

(10) **Patent No.:** **US D703,375 S**  
(45) **Date of Patent:** **\*\* Apr. 22, 2014**

(54) **HAIR STYLING CURLER**  
(71) Applicant: **Dawn Moll**, Breinigsville, PA (US)  
(72) Inventor: **Dawn Moll**, Breinigsville, PA (US)  
(\*\*) Term: **14 Years**  
(21) Appl. No.: **29/449,616**  
(22) Filed: **Mar. 15, 2013**

(51) **LOC (10) Cl.** ..... **28-03**  
(52) **U.S. Cl.**  
USPC ..... **D28/35**  
(58) **Field of Classification Search**  
USPC ..... 219/222–226; 132/222, 223–272;  
D28/35, 37–38, 40  
See application file for complete search history.

5,740,820	A	4/1998	Stern	
5,893,375	A *	4/1999	Majors	132/232
6,138,685	A	10/2000	O'Brien et al.	
6,360,752	B1	3/2002	Chang	
D457,683	S *	5/2002	Spagnolo	D28/35
D577,152	S *	9/2008	Ceva	D28/35
D618,394	S *	6/2010	Keong	D28/35
D659,284	S *	5/2012	Amkie	D28/35
D677,430	S *	3/2013	Kennedy et al.	D28/35
2007/0068548	A1 *	3/2007	Wong et al.	132/232
2008/0173322	A1 *	7/2008	Leung	132/232
2008/0210255	A1 *	9/2008	Moll	132/223

\* cited by examiner  
*Primary Examiner* — Jennifer Rivard  
(74) *Attorney, Agent, or Firm* — James Ray & Assoc

(57) **CLAIM**  
The ornamental design for hair styling curler, as shown and described.

**DESCRIPTION**

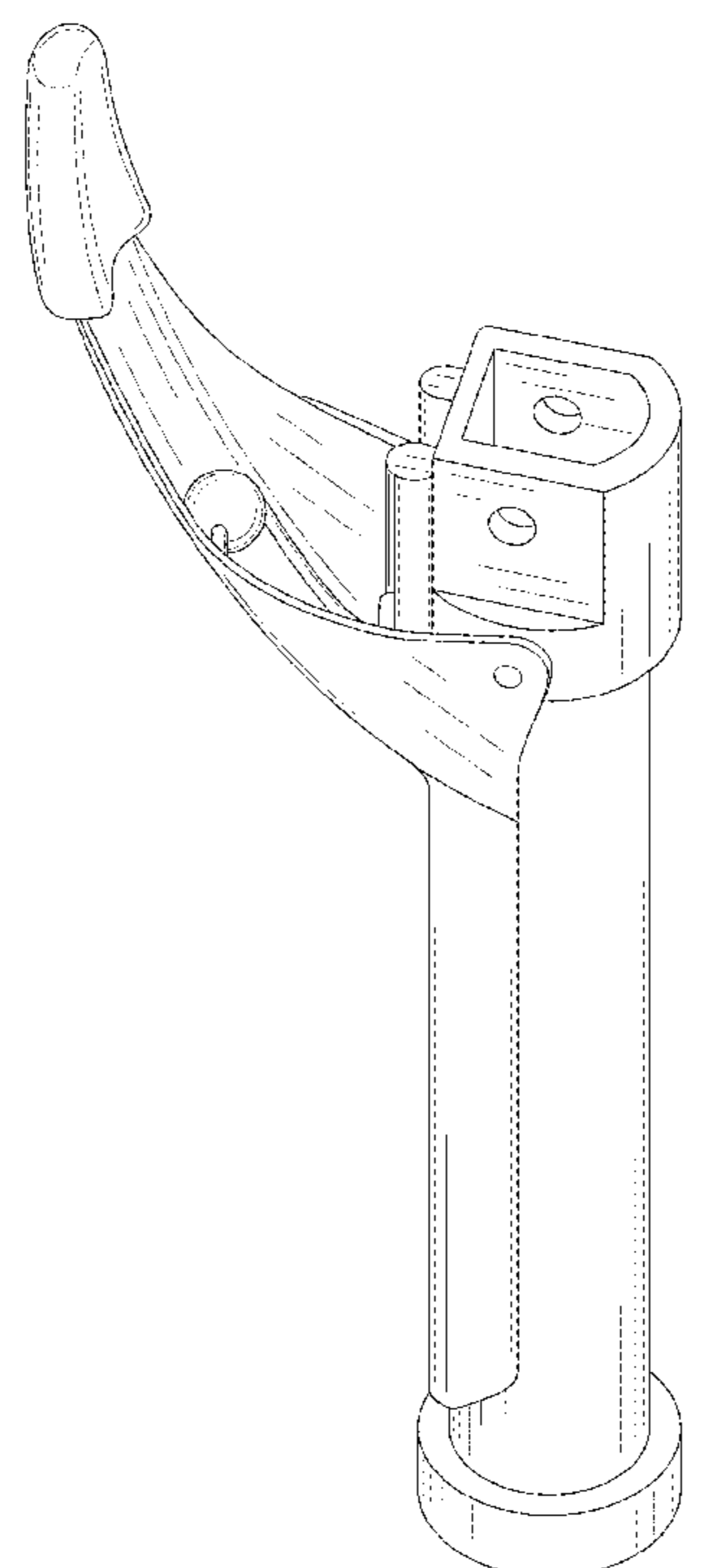
FIG. 1 is a perspective view of hair styling curler, showing my new design;  
FIG. 2 is a left end elevation view thereof;  
FIG. 3 is a right end elevation view thereof;  
FIG. 4 is a rear elevation view thereof;  
FIG. 5 is a front elevation view thereof;  
FIG. 6 is a top planar view thereof; and,  
FIG. 7 is a bottom planar view thereof.  
The broken lines illustrate portions of the hair styling curler and form no part of the claimed design.

(56) **References Cited**

U.S. PATENT DOCUMENTS

2,102,286	A	12/1937	Schmitt	
2,249,315	A	7/1941	Laskaris	
2,387,822	A	10/1945	Basky	
2,530,197	A	11/1950	Hall et al.	
3,500,837	A	3/1970	Ferens	
3,605,763	A	9/1971	Fusco	
3,759,271	A	9/1973	Caruso	
D281,823	S *	12/1985	Sherman	D28/35
4,739,776	A	4/1988	Prijic	
5,117,090	A	5/1992	Askins	
5,483,980	A	1/1996	Lin	

**1 Claim, 4 Drawing Sheets**



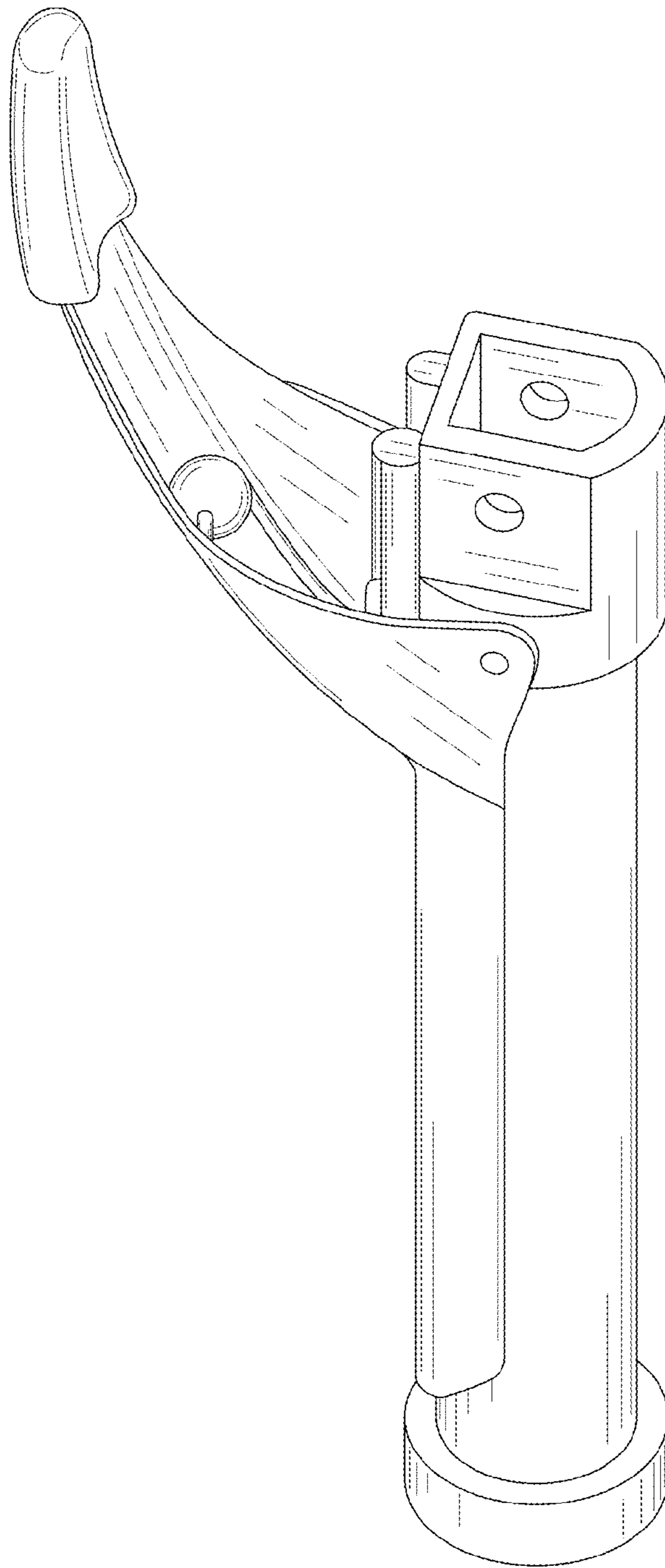


FIG. 1

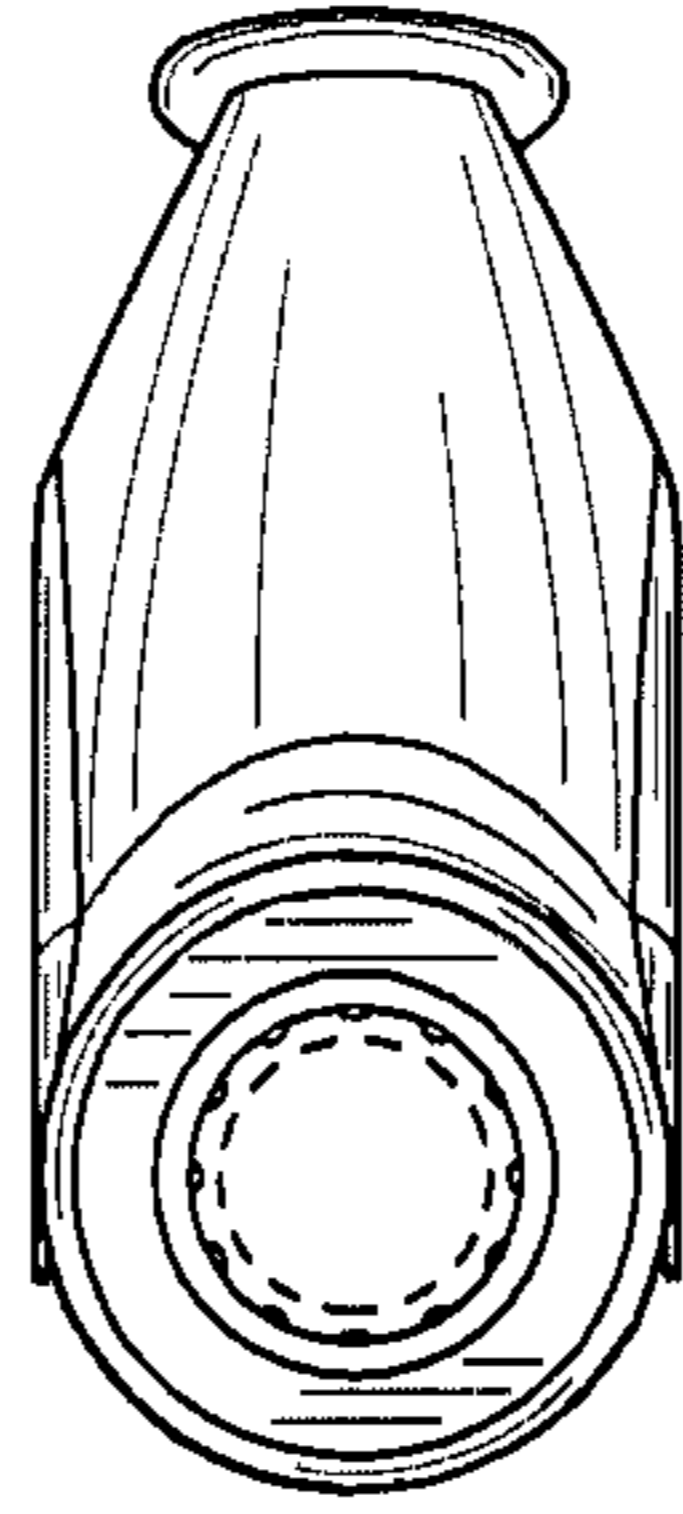


FIG. 2

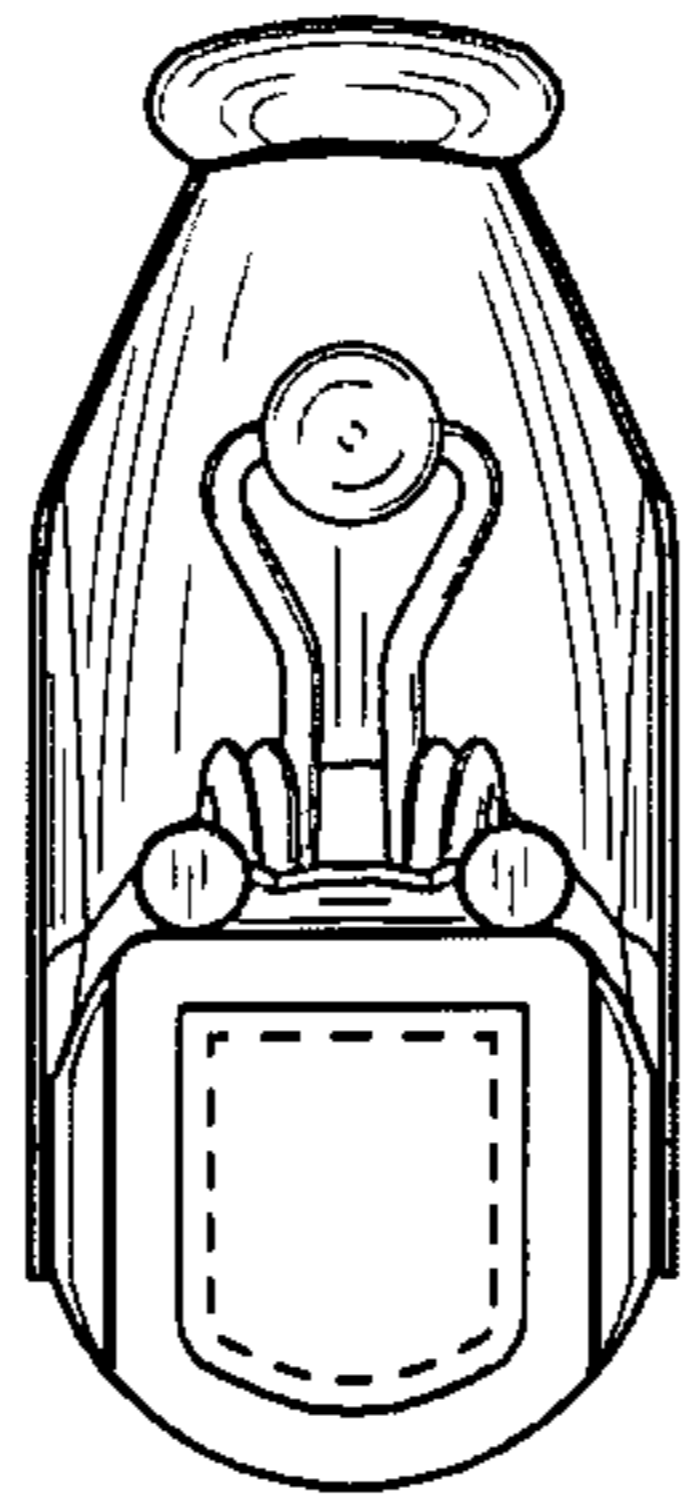


FIG. 3

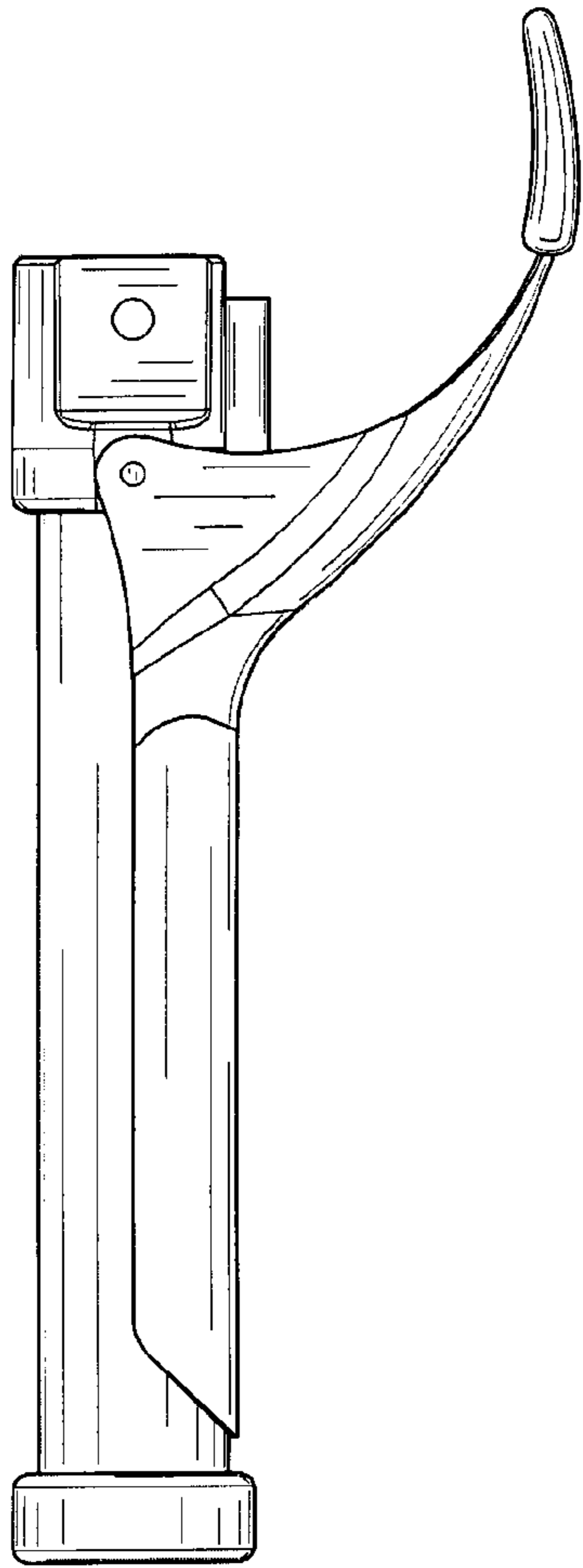


FIG. 4

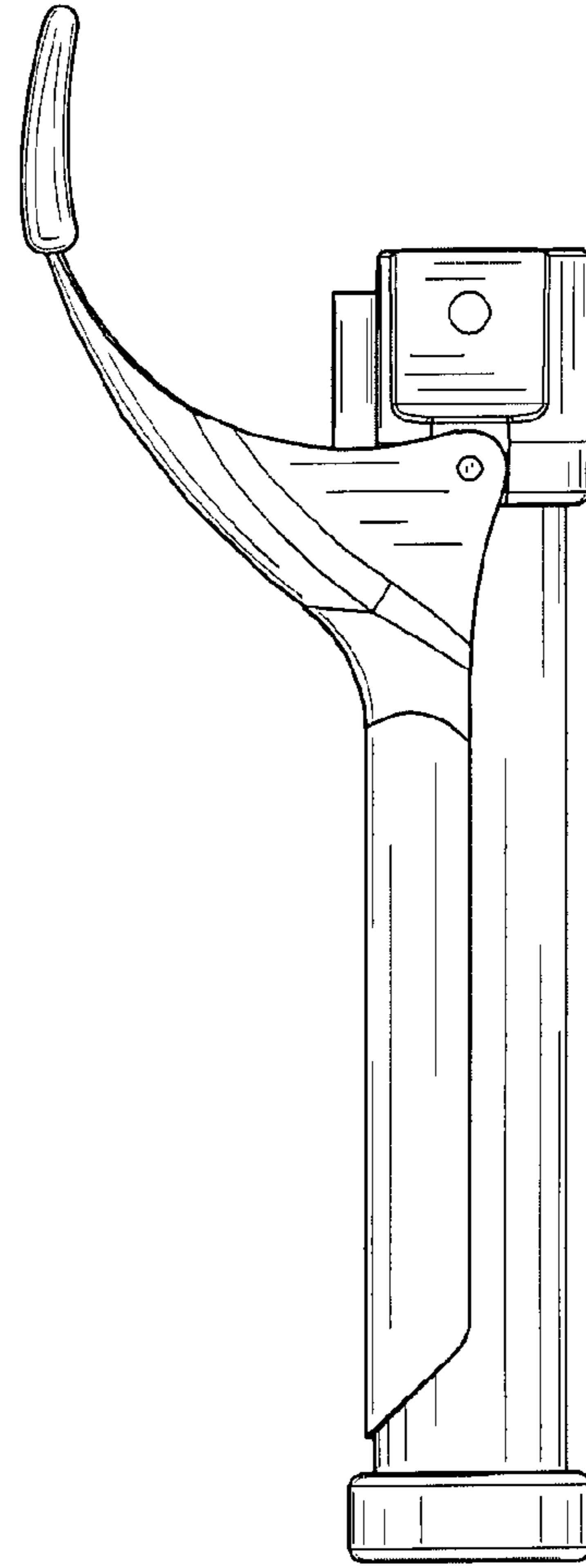


FIG. 5

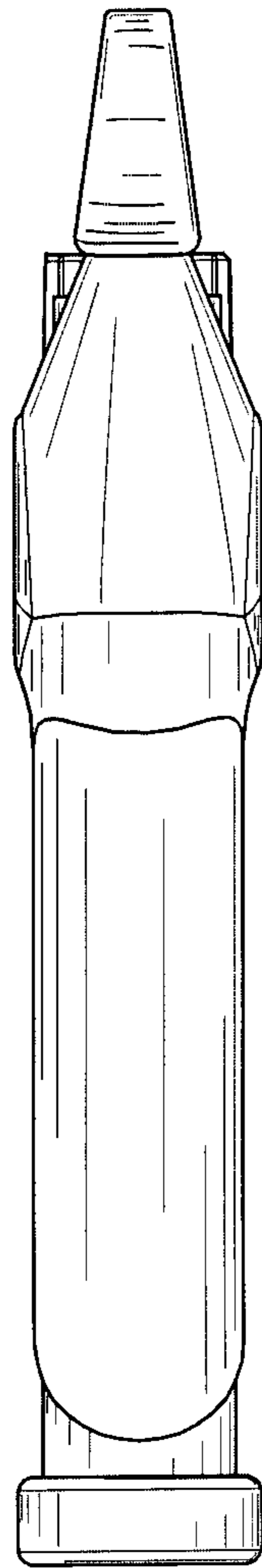


FIG. 6

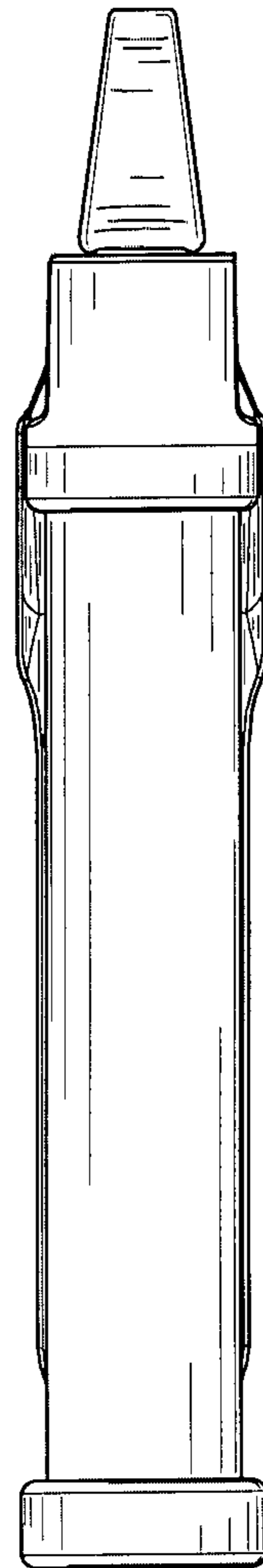


FIG. 7