



US00D703374S

(12) **United States Design Patent**
Brannon

(10) **Patent No.:** **US D703,374 S**

(45) **Date of Patent:** **** Apr. 22, 2014**

(54) **TOBACCO BOX**

(71) Applicant: **Brainiac Products, LLC**, Lombard, IL
(US)

(72) Inventor: **Justin Lon Brannon**, Woodridge, IL
(US)

(73) Assignee: **Brainiac Products, LLC.**, Lombard, IL
(US)

(**) Term: **14 Years**

(21) Appl. No.: **29/439,922**

(22) Filed: **Dec. 17, 2012**

(51) **LOC (10) Cl.** **27-06**

(52) **U.S. Cl.**
USPC **D27/189**

(58) **Field of Classification Search**
USPC D27/173, 104, 107, 110, 195, 189, 165,
D27/162, 157, 154, 155, 156; D9/416, 504,
D9/529, 545, 688, 500, 772; D28/89;
131/360, 347, 272, 328, 329, 173
See application file for complete search history.

(56) **References Cited**

U.S. PATENT DOCUMENTS

4,214,658	A *	7/1980	Crow	206/244
4,223,687	A *	9/1980	Sandeen	131/180
D348,329	S *	6/1994	Signorelli	D27/194
5,465,738	A *	11/1995	Rowland	131/329
D366,950	S *	2/1996	McKinnie	D27/189
D401,012	S *	11/1998	Montoya	D27/187
5,832,935	A *	11/1998	Heine	131/329
5,967,310	A *	10/1999	Hill	206/242
D426,673	S *	6/2000	Grigorian	D27/184
6,260,554	B1 *	7/2001	Rowland et al.	131/181
D577,150	S *	9/2008	Bryman et al.	D27/163

(Continued)

Primary Examiner — Kevin Rudzinski

(74) *Attorney, Agent, or Firm* — The Law Offices of Konrad Sherinian LLC

(57) **CLAIM**

The ornamental design for a tobacco box, as shown and described.

DESCRIPTION

FIG. 1 is a perspective view of a tobacco box showing my new design, wherein the doors of the tobacco box are in the open position;

FIG. 2 is front elevation view thereof;

FIG. 3 is a right side elevation view thereof;

FIG. 4 is a left side elevation view thereof;

FIG. 5 is a bottom plan view thereof;

FIG. 6 is a top plan view thereof;

FIG. 7 is a rear elevation view thereof;

FIG. 8 is a perspective view of the tobacco box of FIG. 1, taken from the opposite side thereof, wherein the broken line showing of a cigarette pipe is illustrative of environmental structure only and forms no part of the claimed design;

FIG. 9 is the same perspective view of the tobacco box as FIG. 8, wherein the doors of the tobacco box are in the closed position;

FIG. 10 is a top plan view of the tobacco box of FIG. 9;

FIG. 11 is a front elevation view thereof;

FIG. 12 is a right side elevation view thereof;

FIG. 13 is a left side elevation view thereof;

FIG. 14 is a rear elevation view thereof;

FIG. 15 is a bottom plan view thereof;

FIG. 16 is a perspective view of the tobacco box of FIG. 1 without a magnet reception aperture, taken from the opposite side thereof;

FIG. 17 is front elevation view thereof;

FIG. 18 is a left side elevation view thereof;

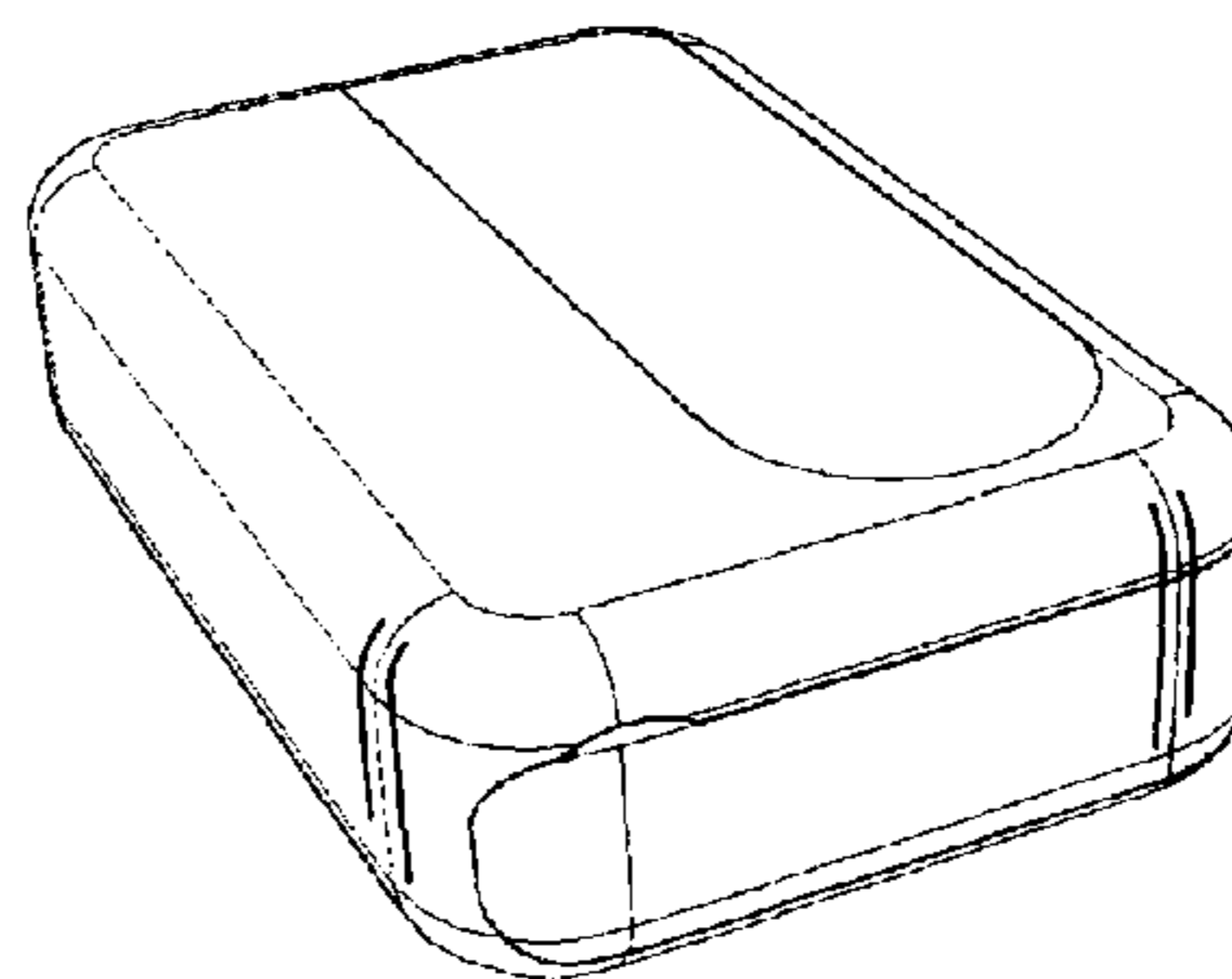
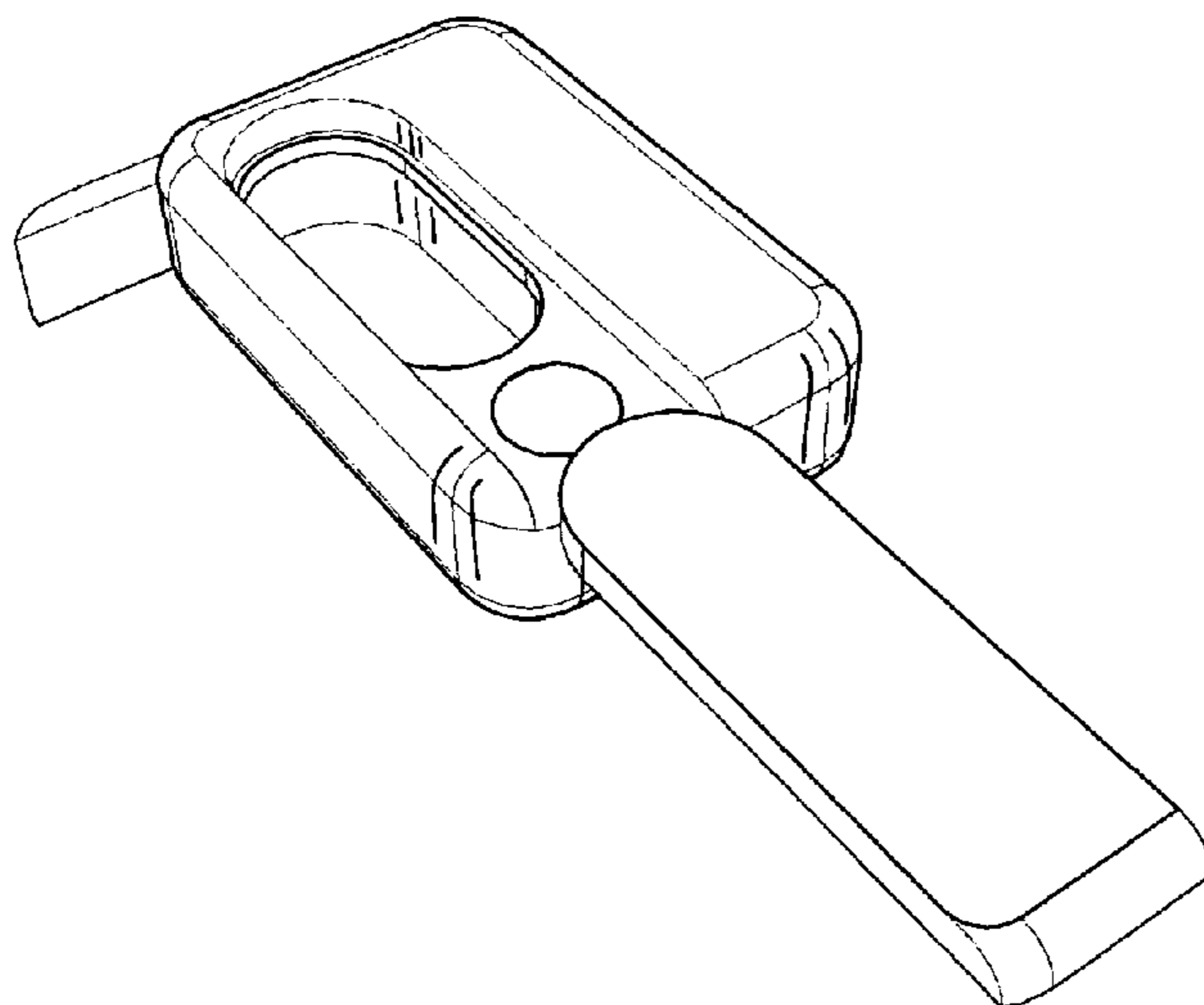
FIG. 19 is a right side elevation view thereof;

FIG. 20 is a bottom plan view thereof;

FIG. 21 is a top plan view thereof; and,

FIG. 22 is a rear elevation view thereof.

1 Claim, 6 Drawing Sheets



(56)

References Cited

U.S. PATENT DOCUMENTS

7,694,685 B1 * 4/2010 Jones 131/185
7,717,259 B2 * 5/2010 Hatton 206/236

D647,247 S * 10/2011 Jones D27/163
D650,268 S * 12/2011 Gibson et al. D9/428
D675,516 S * 2/2013 Horton et al. D9/424
2009/0266837 A1 * 10/2009 Gelardi et al. 221/154

* cited by examiner

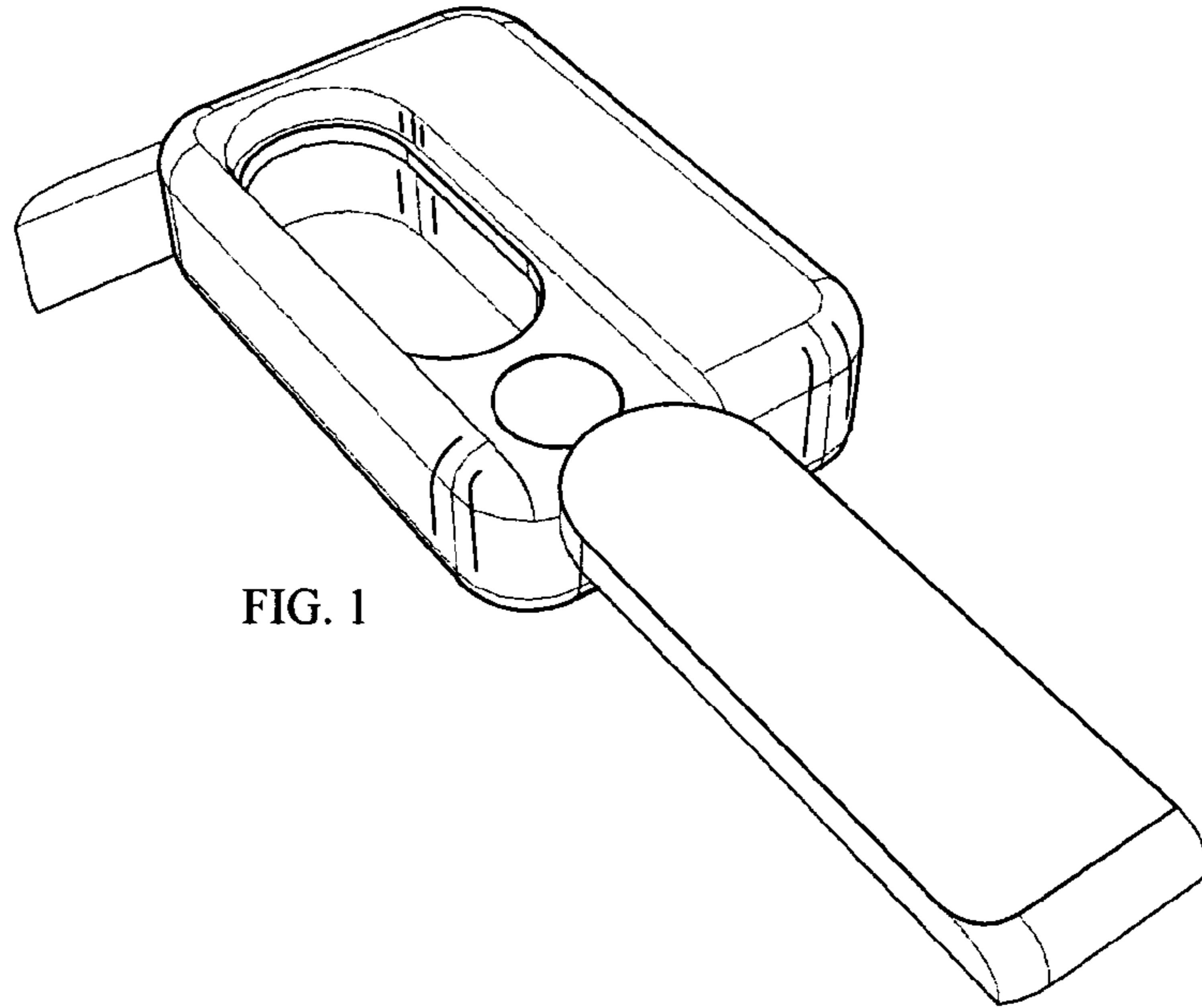


FIG. 1

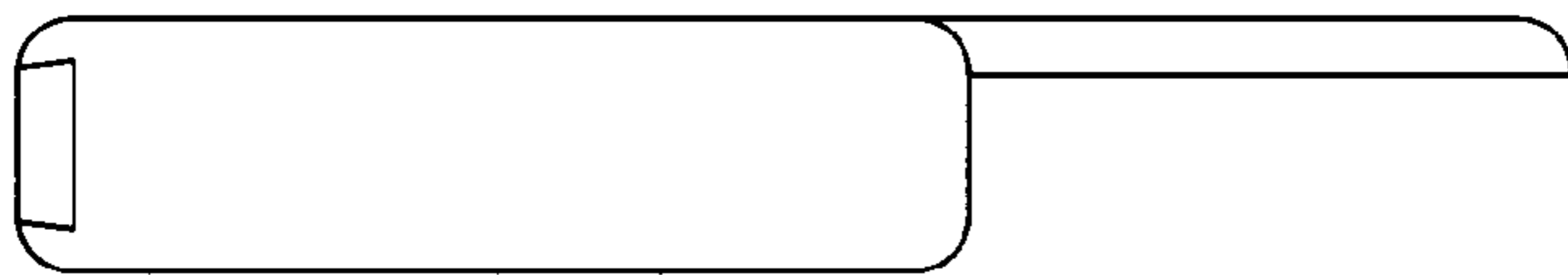


FIG. 2

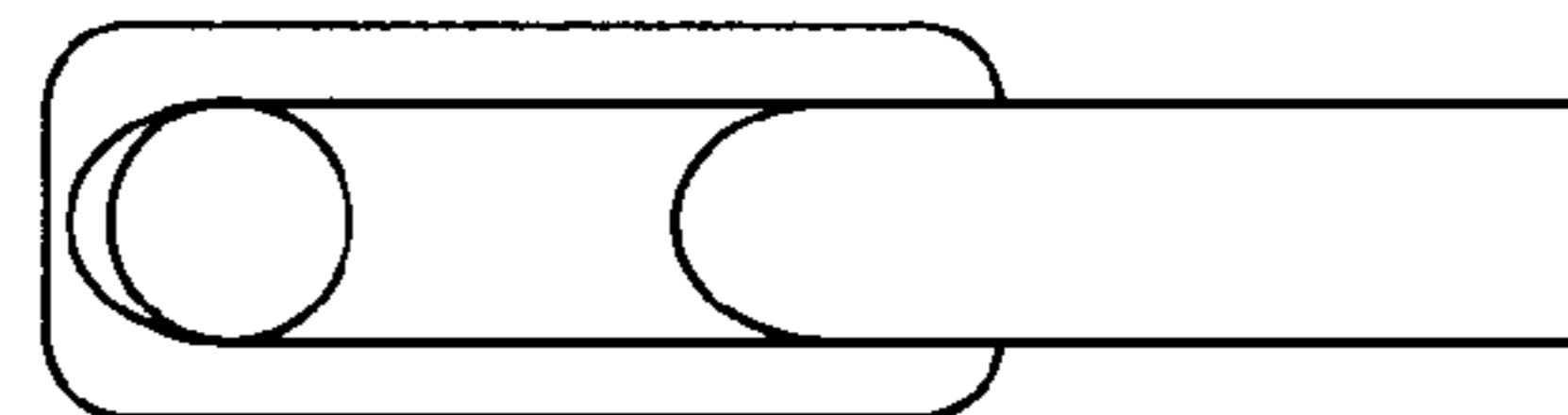


FIG. 4

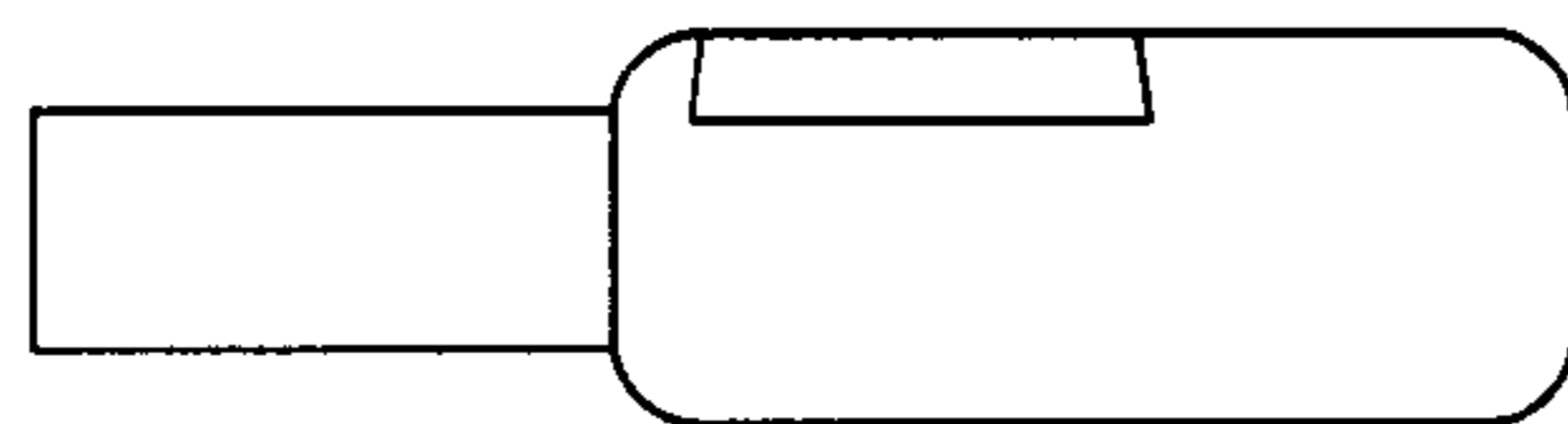
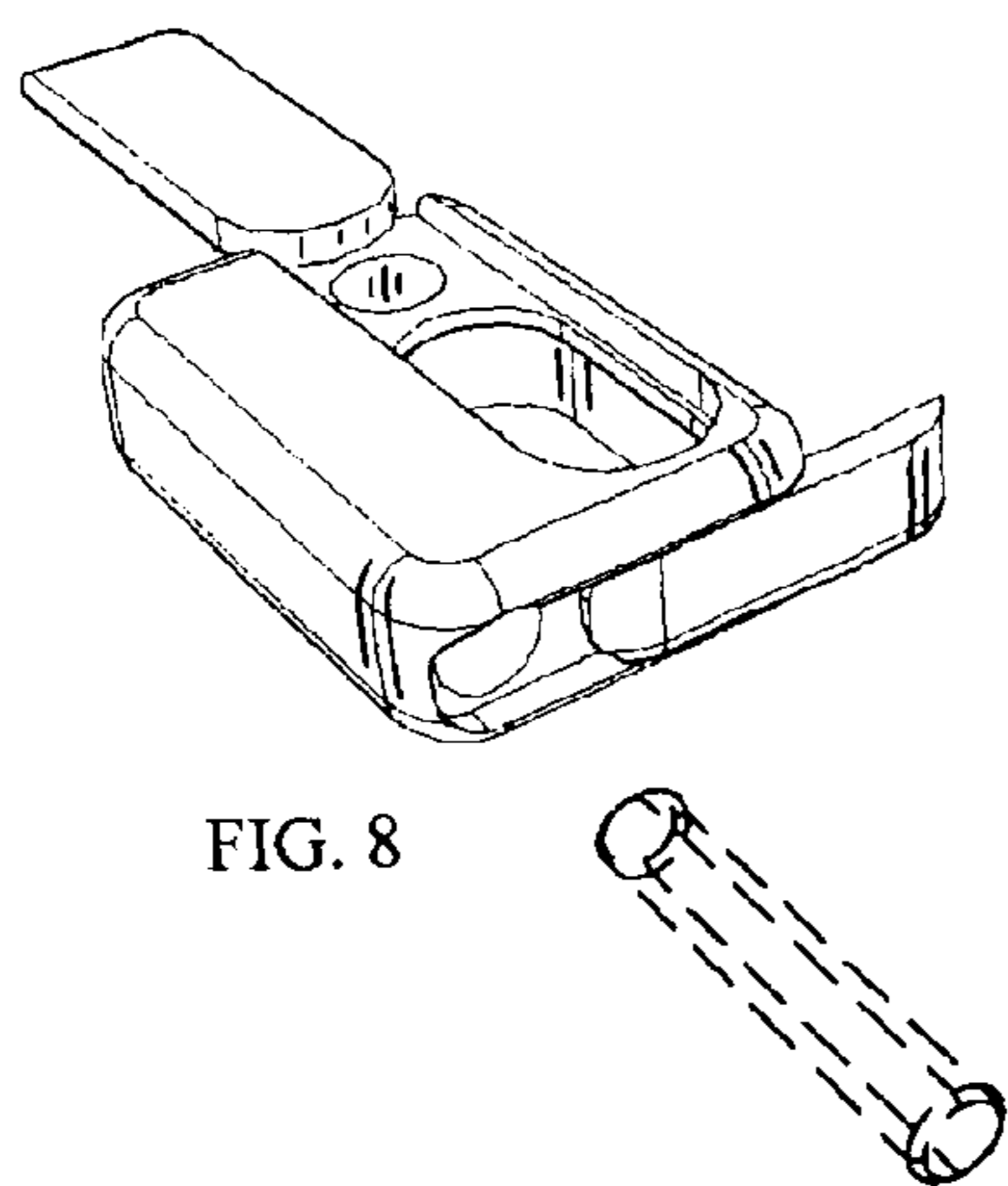
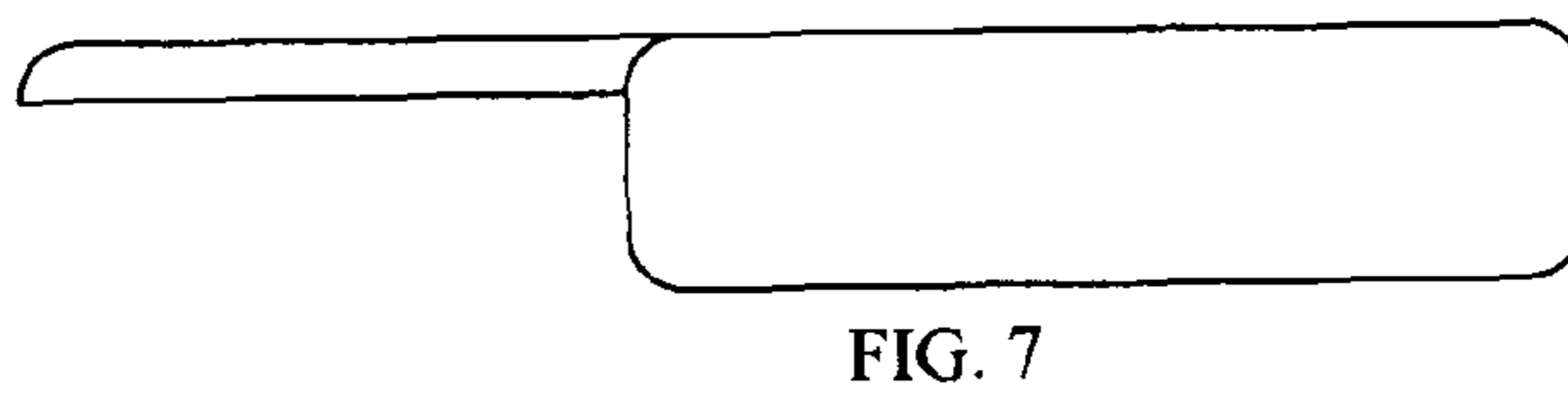
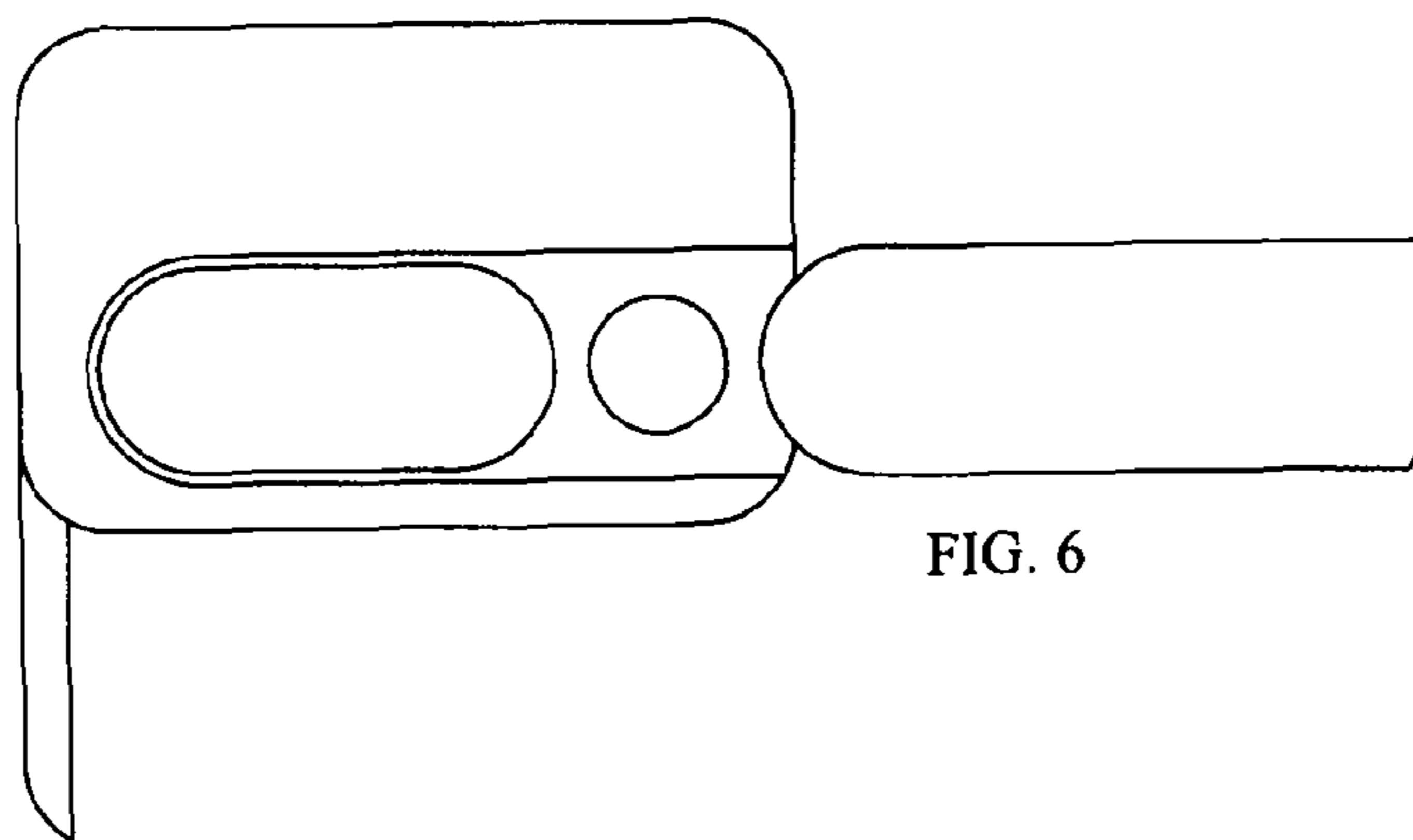
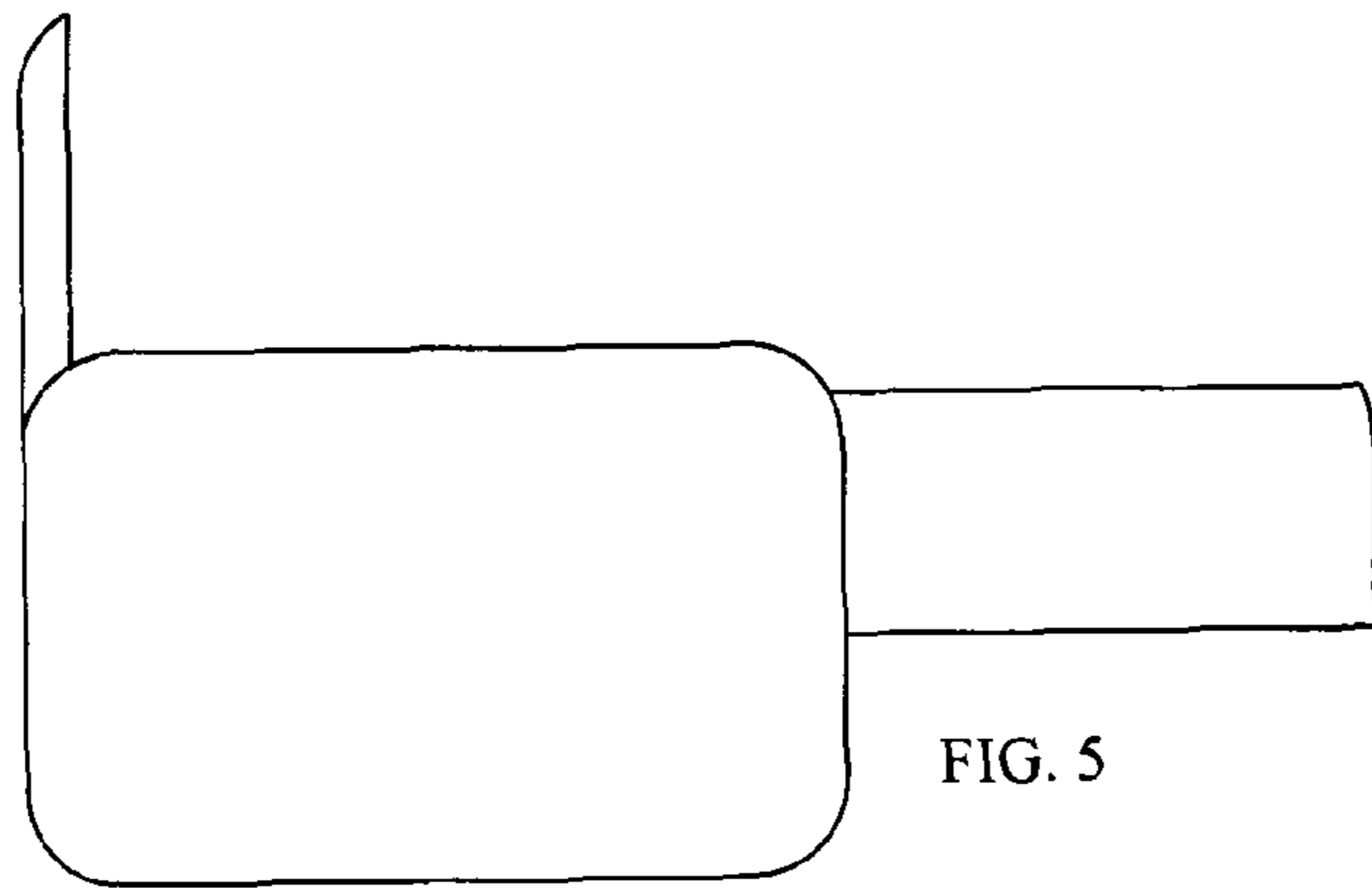


FIG. 3



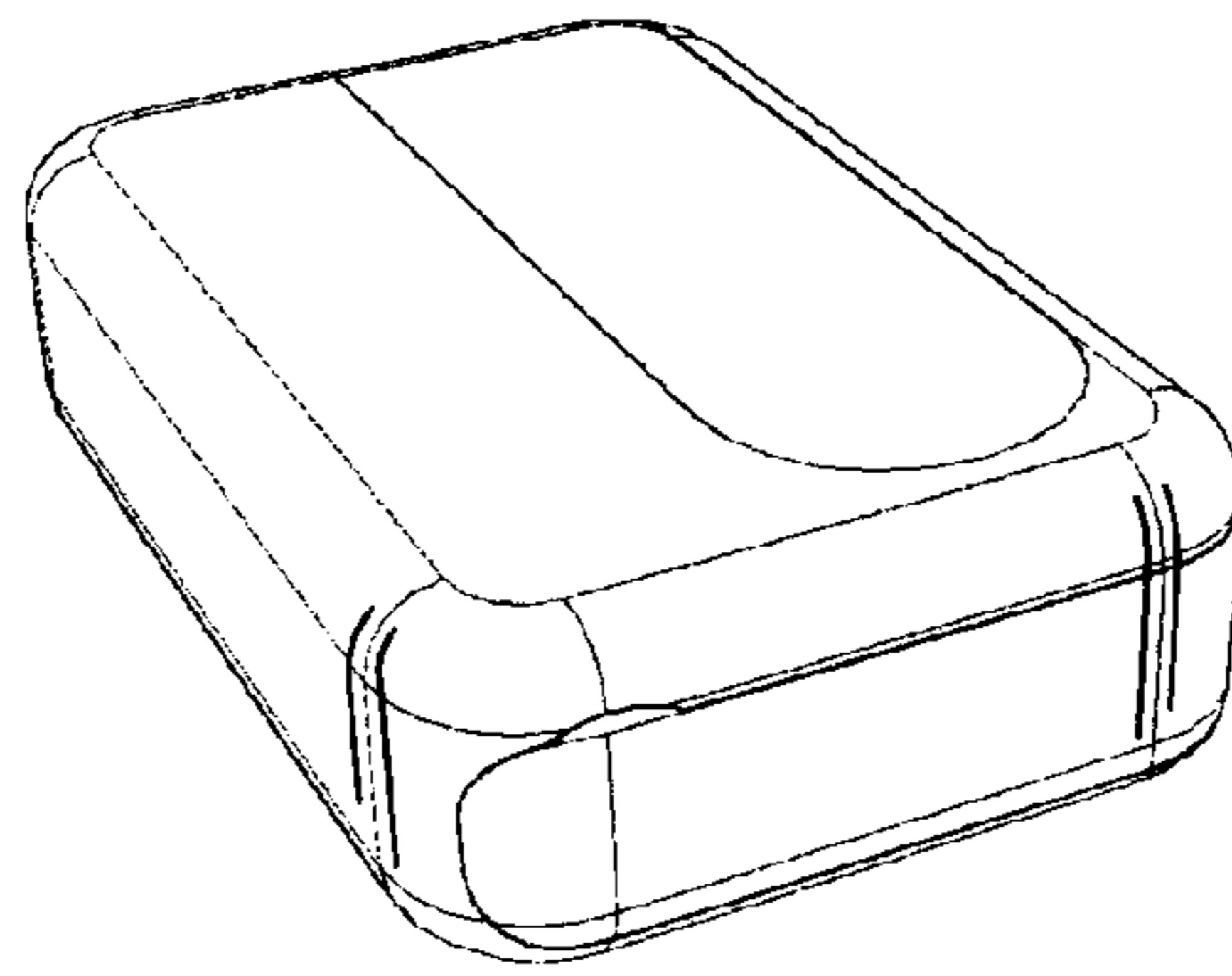


FIG. 9

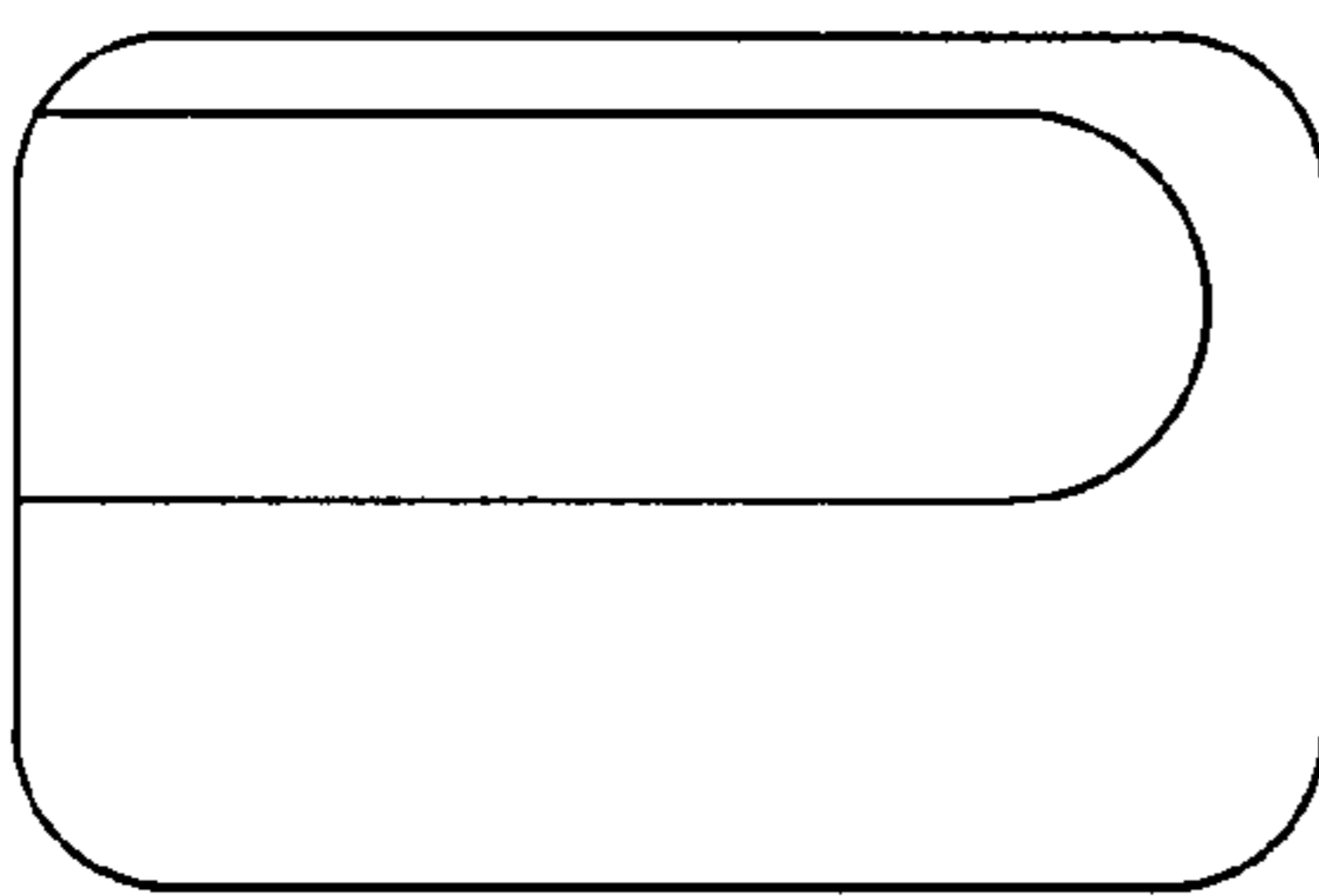


FIG. 10



FIG. 11

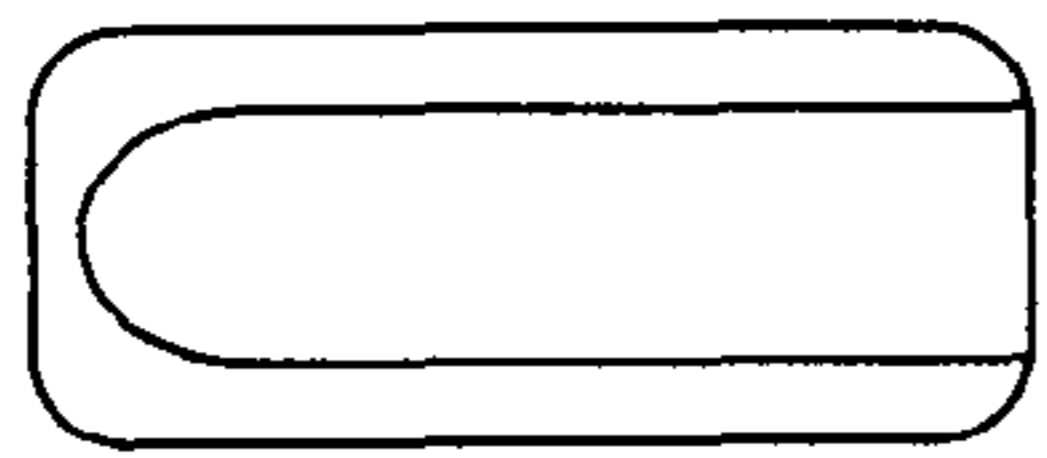


FIG. 12

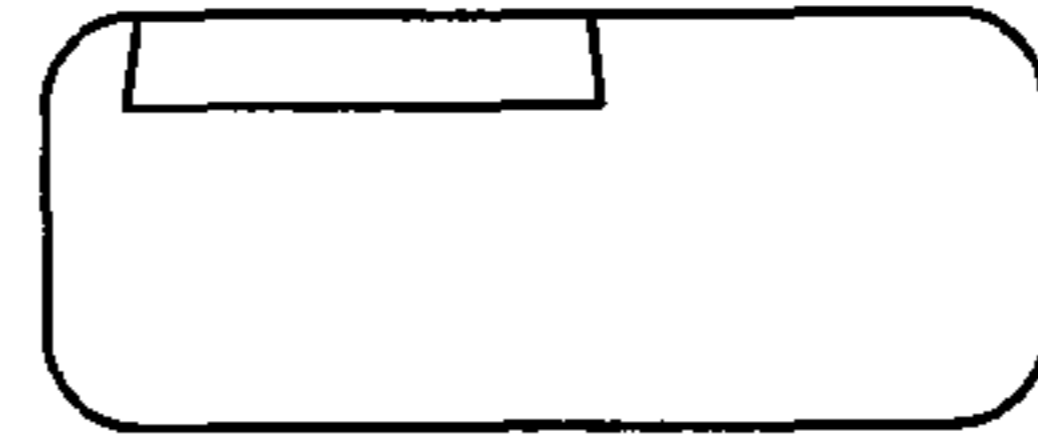


FIG. 13

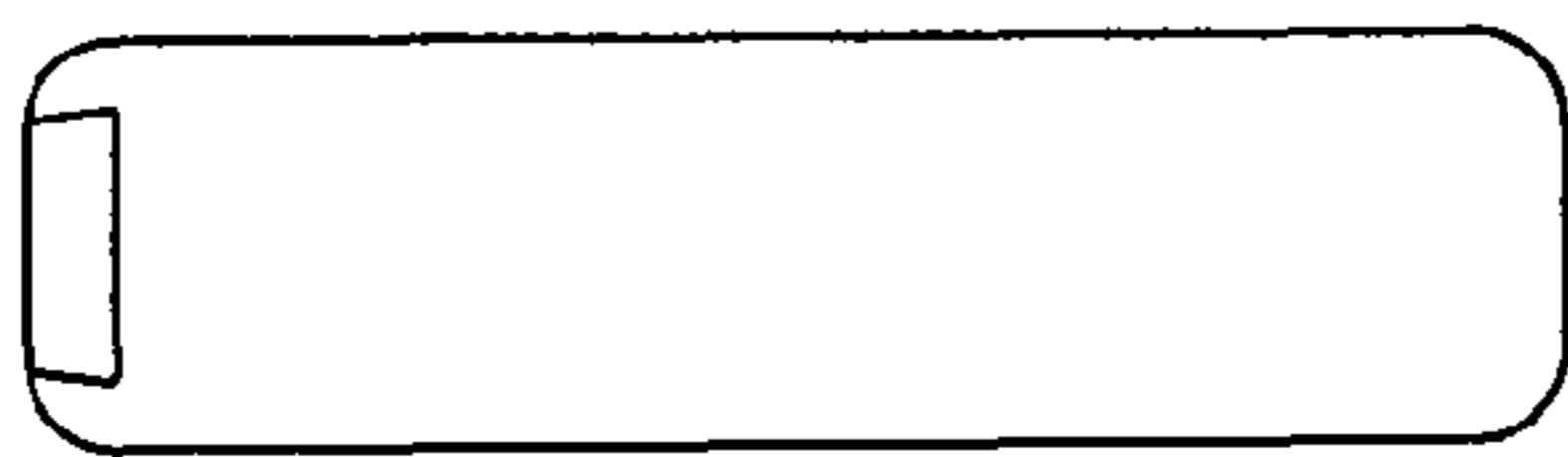


FIG. 14

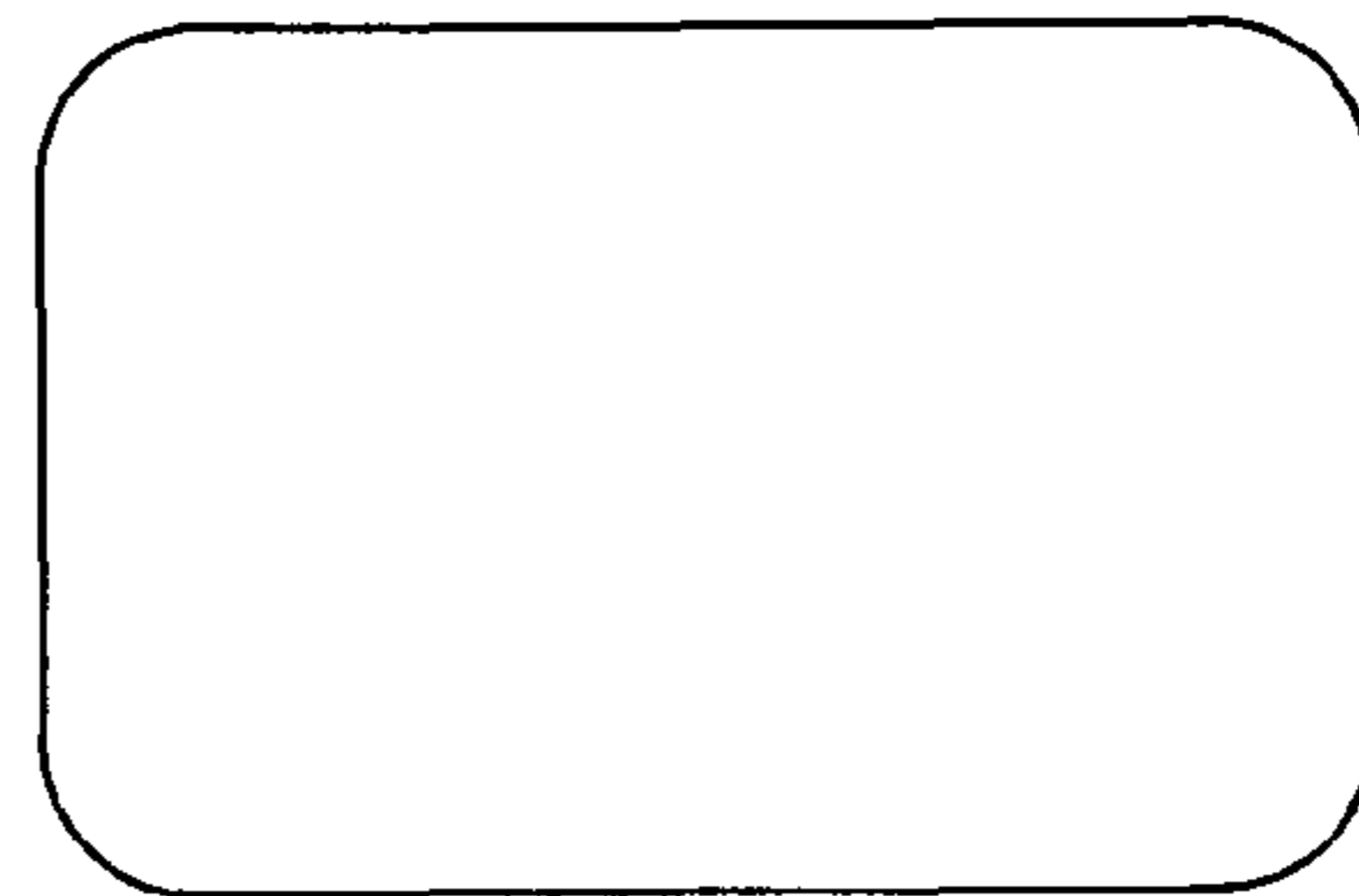


FIG. 15

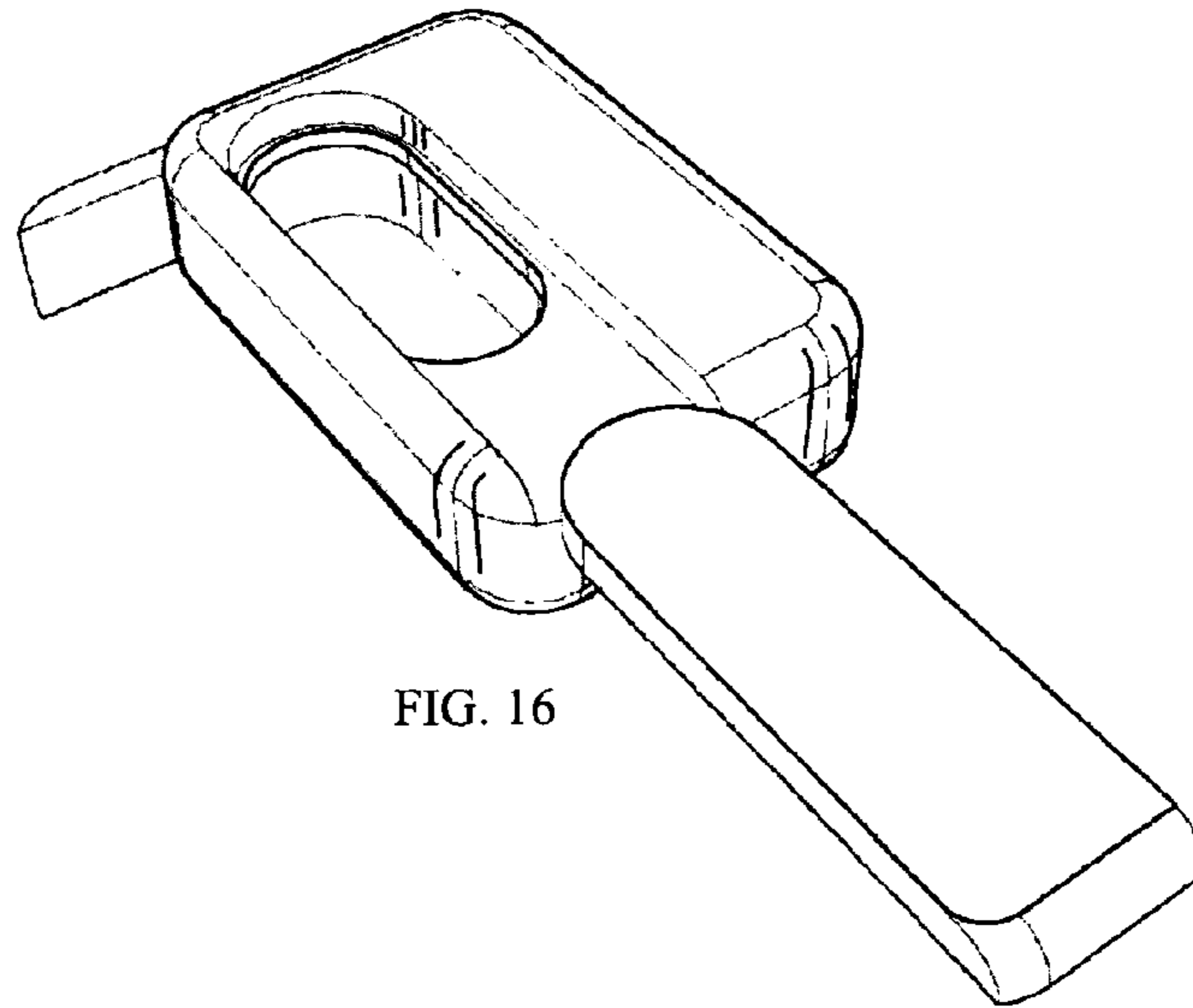


FIG. 16

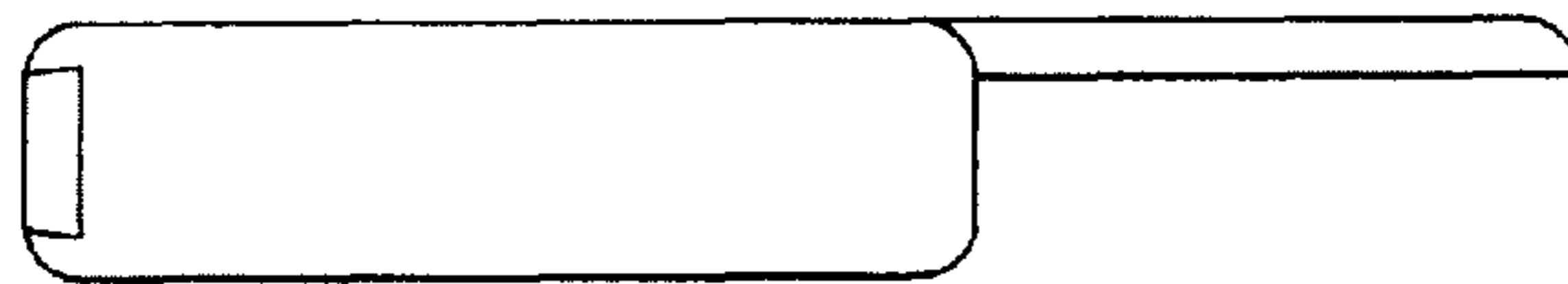


FIG. 17

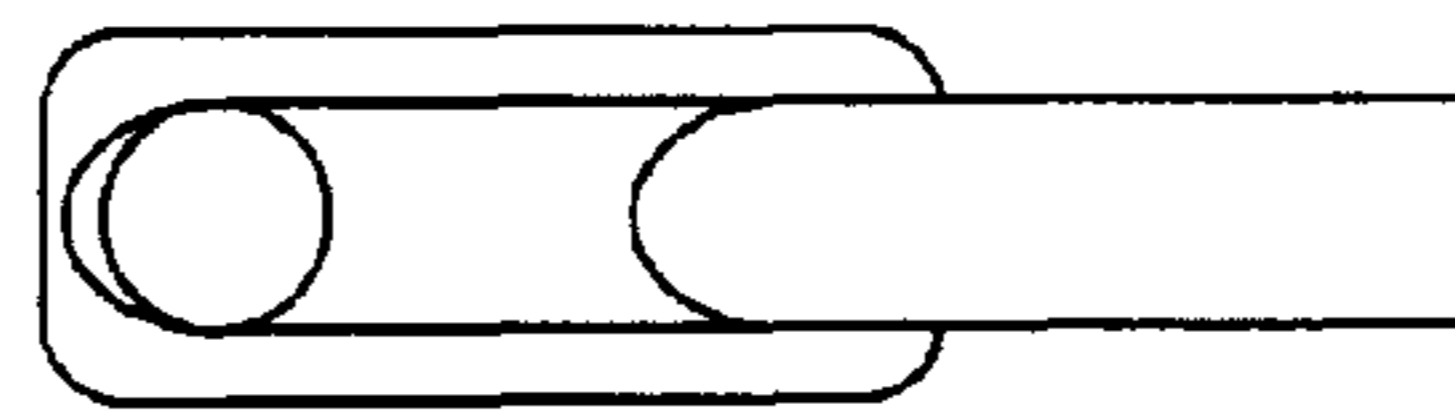


FIG. 18

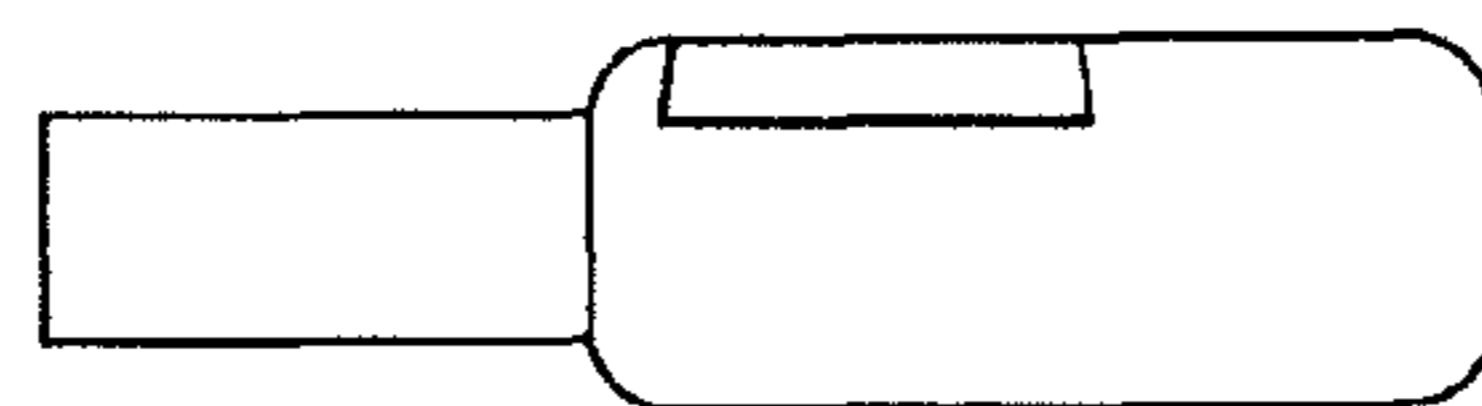


FIG. 19

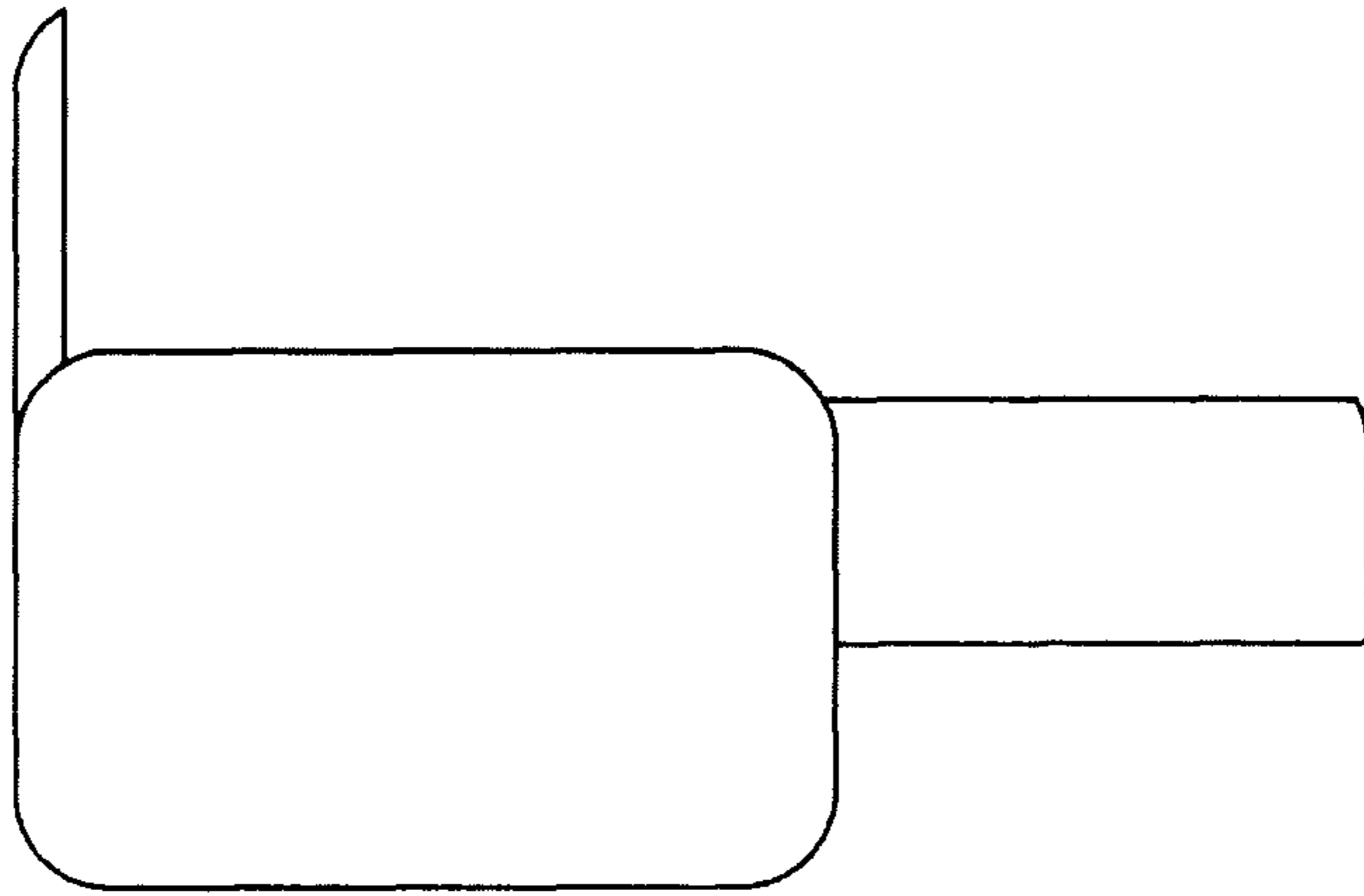


FIG. 20

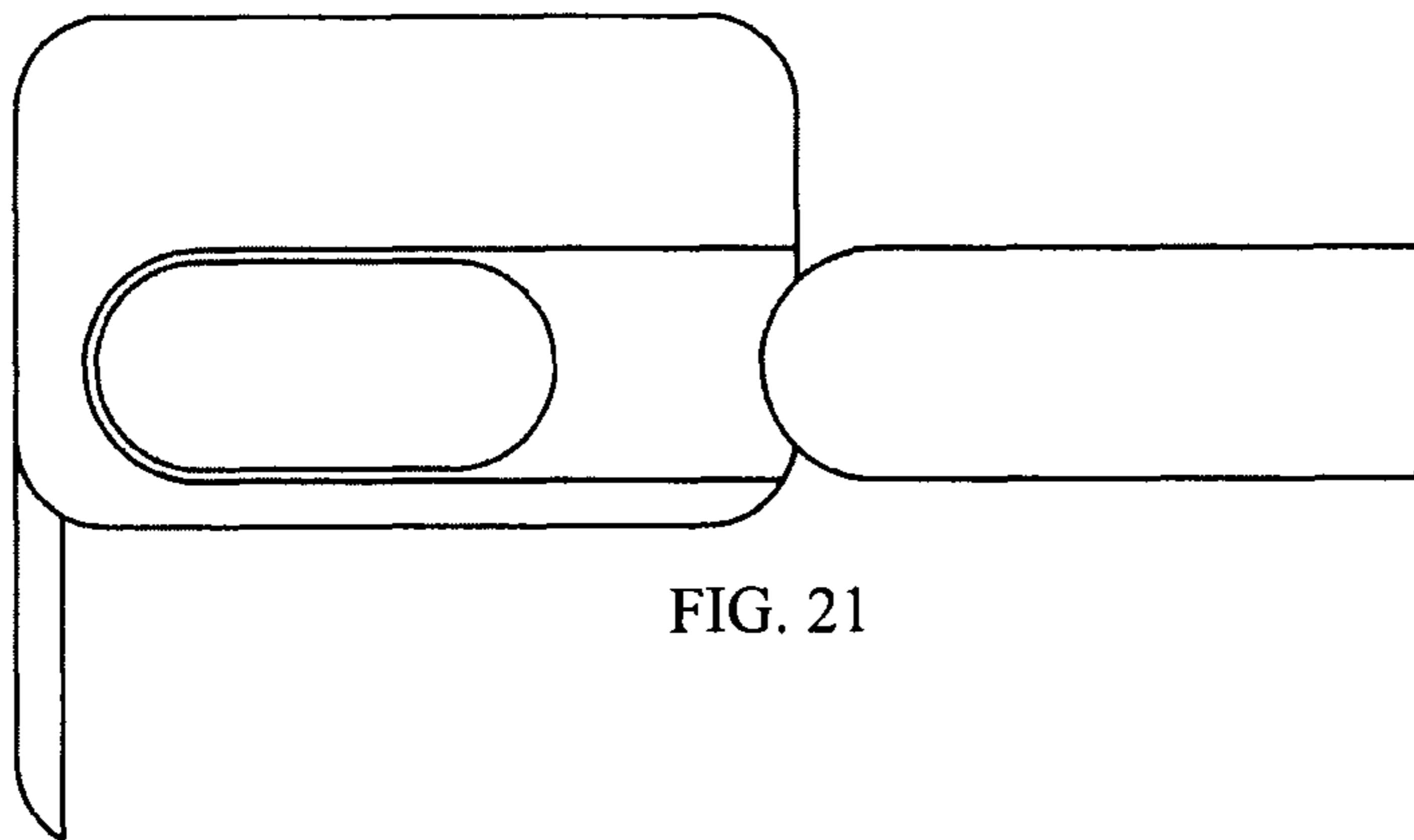


FIG. 21



FIG. 22