



US00D703373S

(12) **United States Design Patent**  
**Kitts**

(10) **Patent No.:** **US D703,373 S**

(45) **Date of Patent:** **\*\* Apr. 22, 2014**

(54) **LAMP**

(71) Applicant: **Hubbardton Forge, LLC**, Castleton, VT (US)

(72) Inventor: **David Kitts**, Rutland, VT (US)

(73) Assignee: **Hubbardton Forge, LLC**, Castleton, VT (US)

(\*\*) Term: **14 Years**

(21) Appl. No.: **29/441,734**

(22) Filed: **Jan. 9, 2013**

(51) **LOC (10) Cl.** ..... **26-99**

(52) **U.S. Cl.**  
USPC ..... **D26/142**

(58) **Field of Classification Search**  
USPC ..... D26/25, 26, 28, 31, 35, 36, 37, 41, 42, D26/50, 51, 52, 64, 66, 67, 73, 75, 78, 85, D26/88, 89, 90, 103-106, 109, 110, 119, D26/123, 125, 129, 131, 135, 136, 138, 140, D26/143, 144; D13/179, 180; 362/92, 130, 362/132, 133, 183, 184, 190, 205, 216, 362/217.05, 218, 220, 223, 224, 241, 247, 362/249.03, 249.05-249.1, 249.11, 258, 362/260, 285, 287, 294.02, 297, 327, 345, 362/354, 373-379, 410, 418, 419, 510, 516, 362/558, 561; 248/339, 557, 558; D8/354, D8/373, 377, 382; D25/60, 119, 124, 125; 52/455; 349/59-62, 64-67, 113; 438/15; 345/102; D12/406; D10/111, D10/114.1; D11/121, 125, 144, 145; 428/11; 257/96, 97, 98, 99

See application file for complete search history.

(56) **References Cited**

U.S. PATENT DOCUMENTS

D357,704 S	*	4/1995	Wolff	.....	D19/90
D409,246 S	*	5/1999	Fereday et al.	.....	D9/96
D434,518 S	*	11/2000	Rivers	.....	D26/110
D501,889 S	*	2/2005	Harris et al.	.....	D20/39
D587,398 S	*	2/2009	Salatto-Rose	.....	D26/142
D670,428 S	*	11/2012	Giblin	.....	D26/142

\* cited by examiner

*Primary Examiner* — Zenia Bennett

(74) *Attorney, Agent, or Firm* — Bourque and Associates, PA

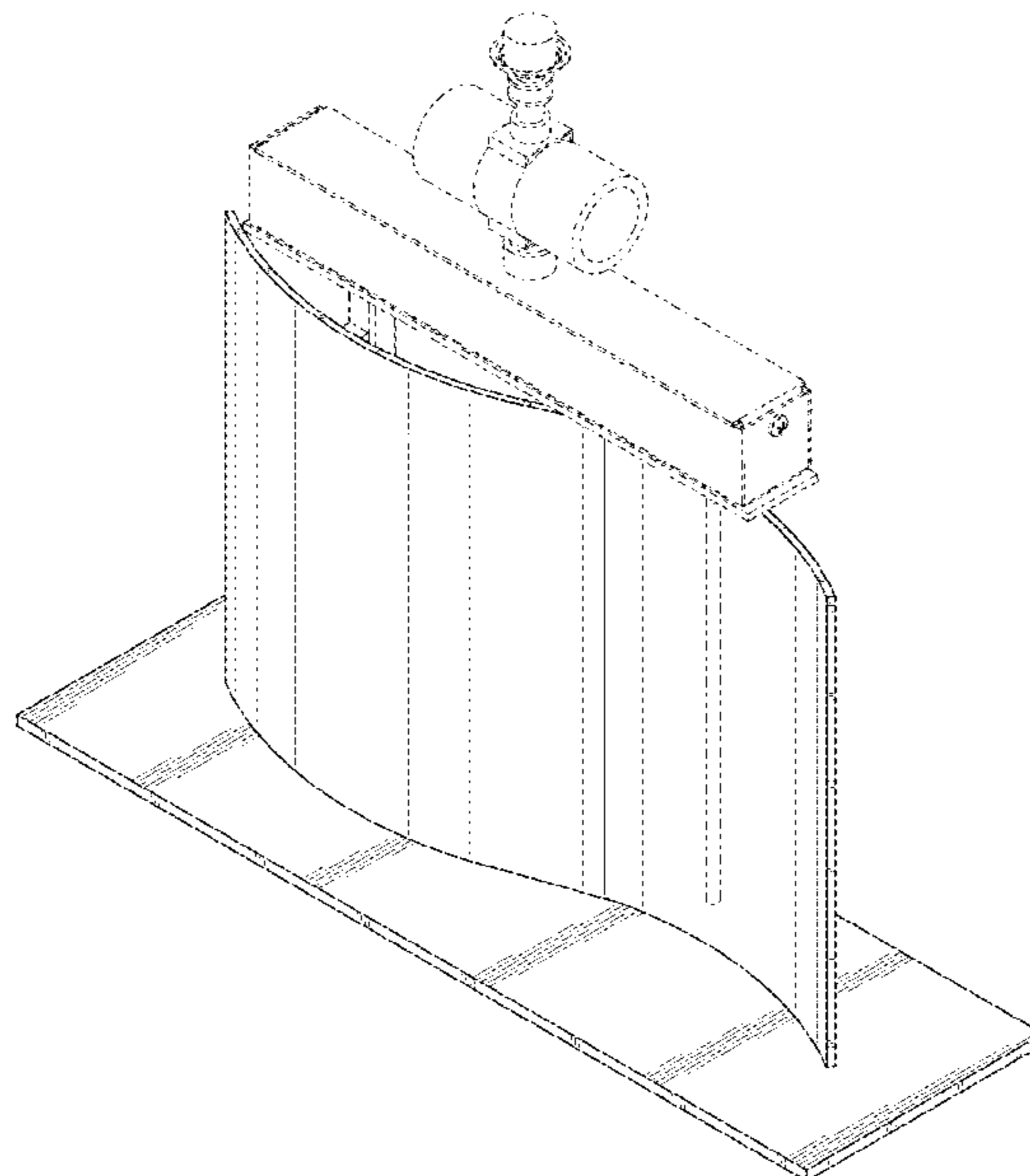
(57) **CLAIM**

The ornamental design for a lamp, as shown and described.

**DESCRIPTION**

FIG. 1 is a perspective view of the lamp according to the present invention;  
FIG. 2 is another perspective view of the lamp thereof;  
FIG. 3 is a front view of the lamp thereof;  
FIG. 4 is a back view of the lamp thereof;  
FIG. 5 is a right view of the lamp thereof;  
FIG. 6 is a left view of the lamp thereof;  
FIG. 7 is a top view of the lamp thereof; and,  
FIG. 8 is a bottom view of the lamp thereof.  
The broken lines shown are for illustrative purposes only and form no part of the claimed design.

**1 Claim, 7 Drawing Sheets**



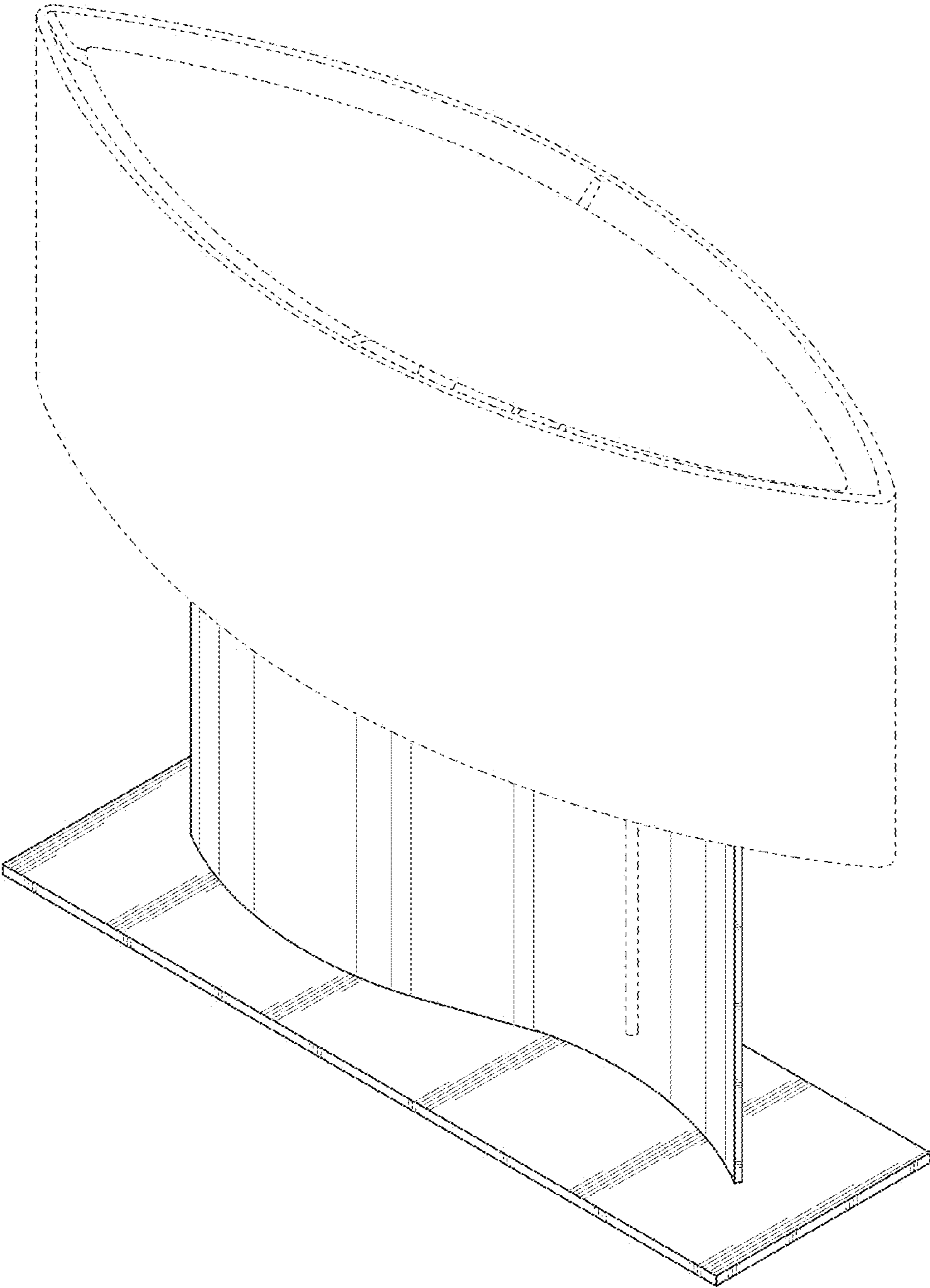


FIG. 1

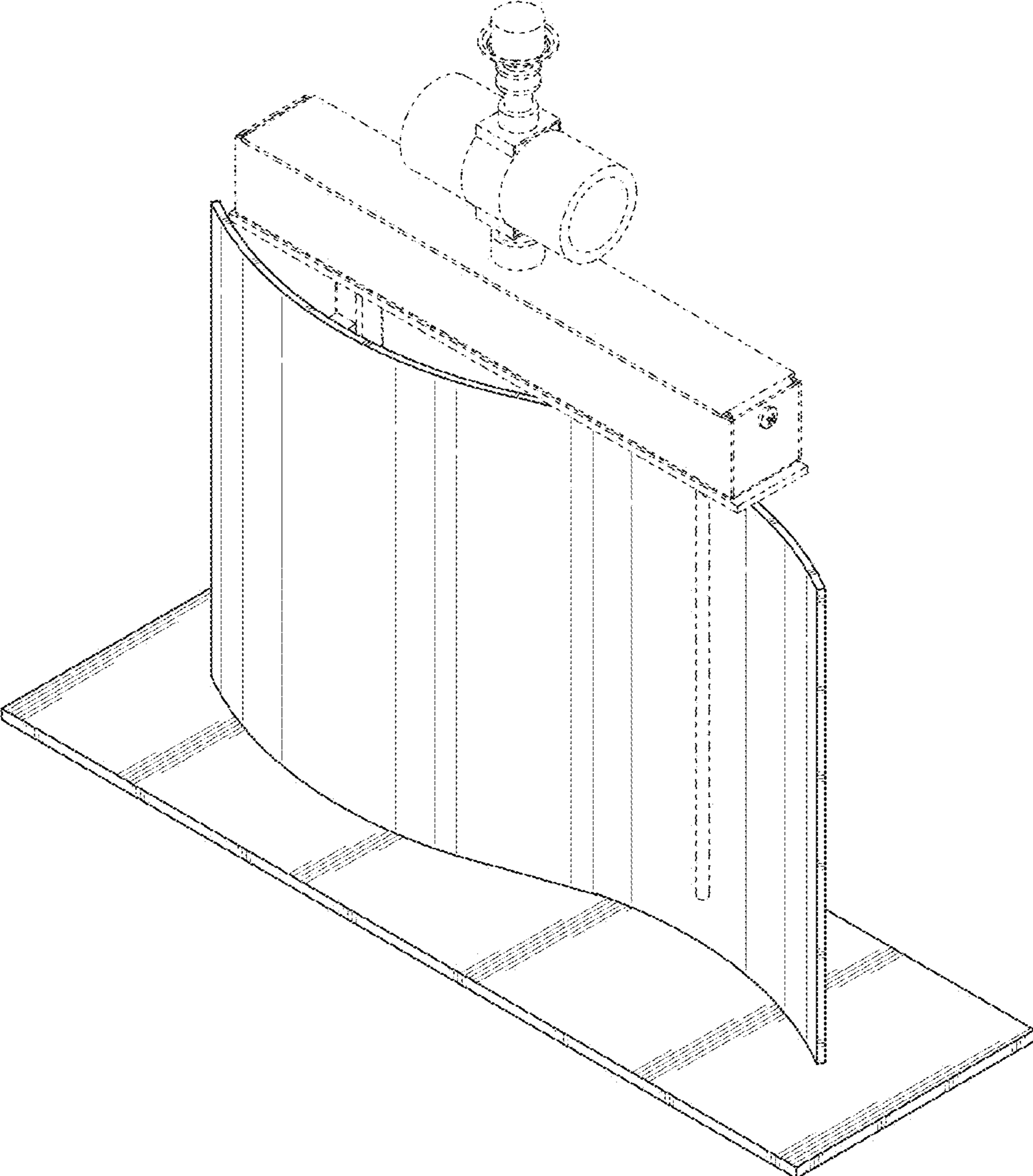


FIG. 2

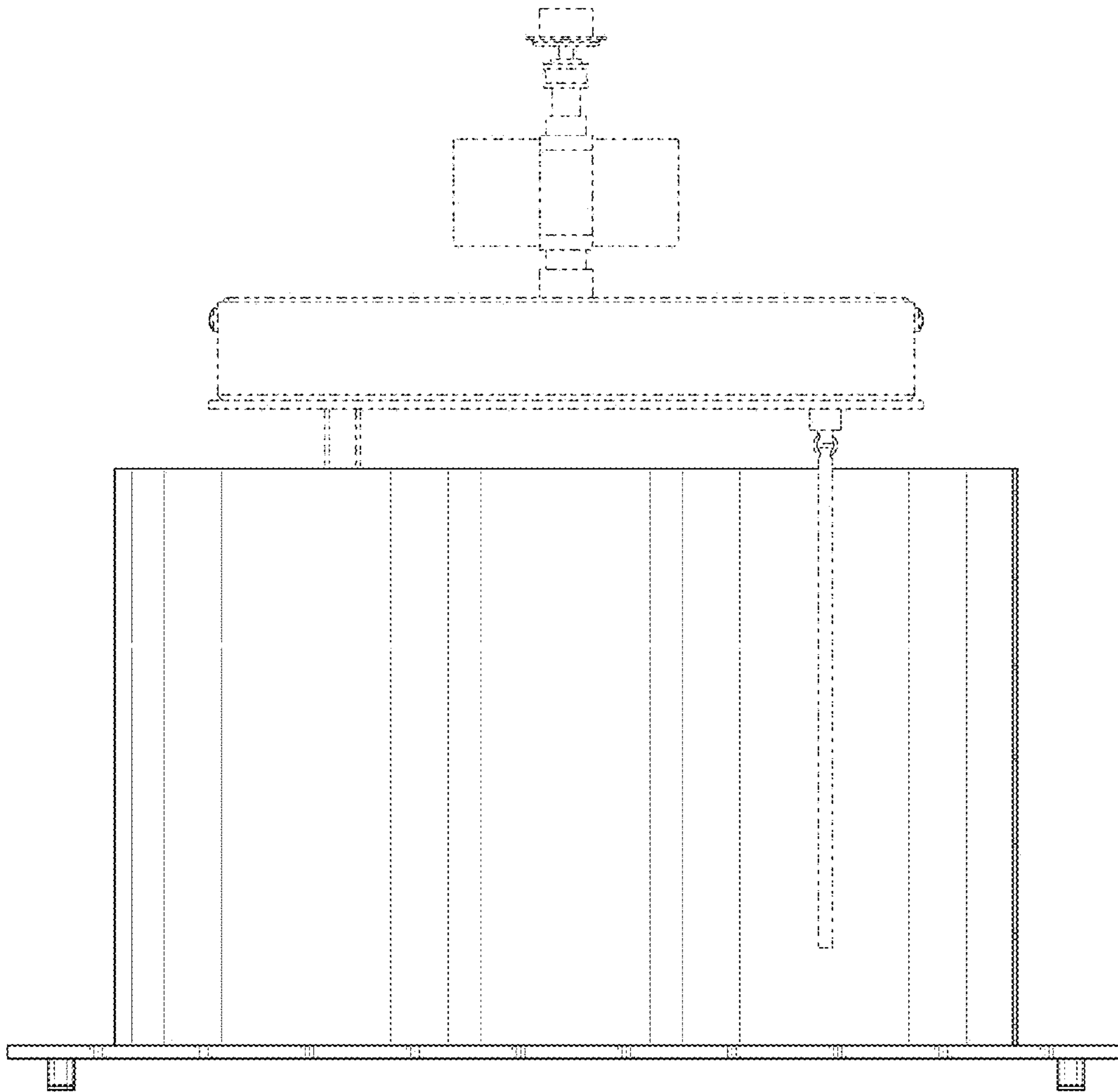


FIG. 3

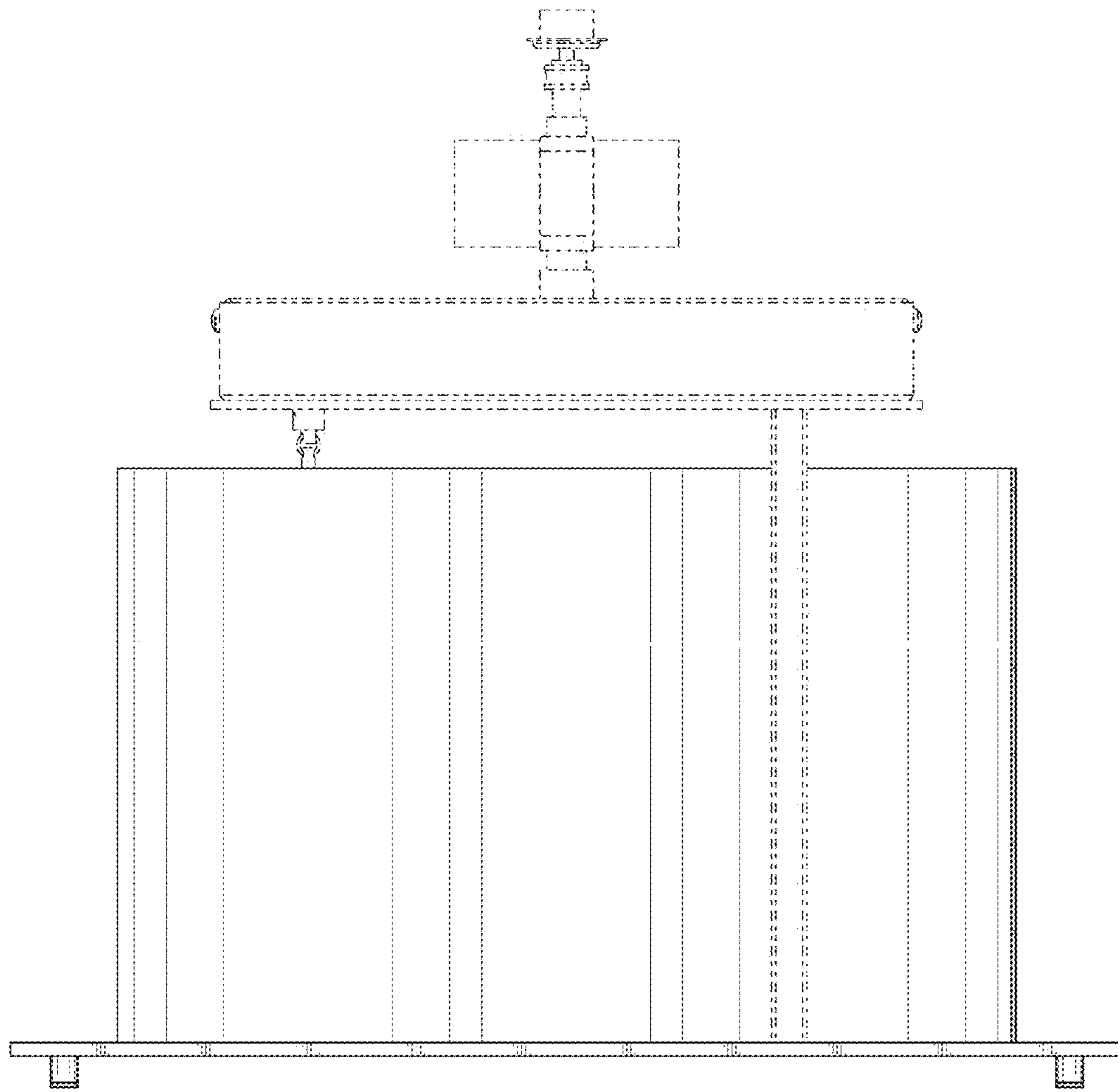


FIG. 4

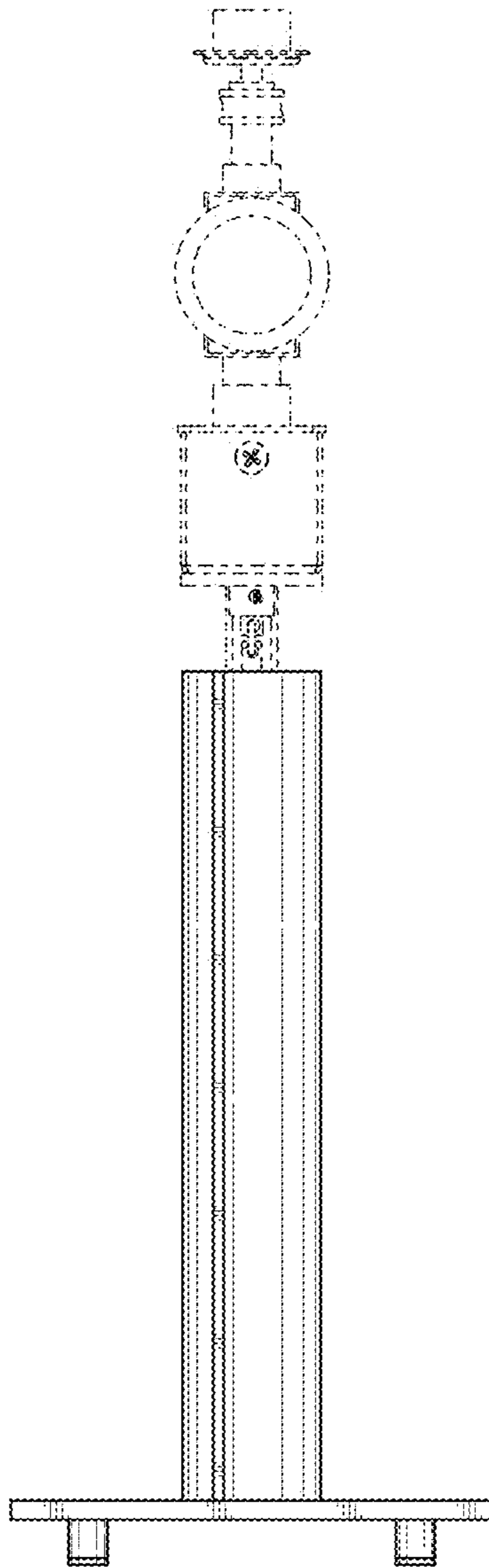


FIG. 5

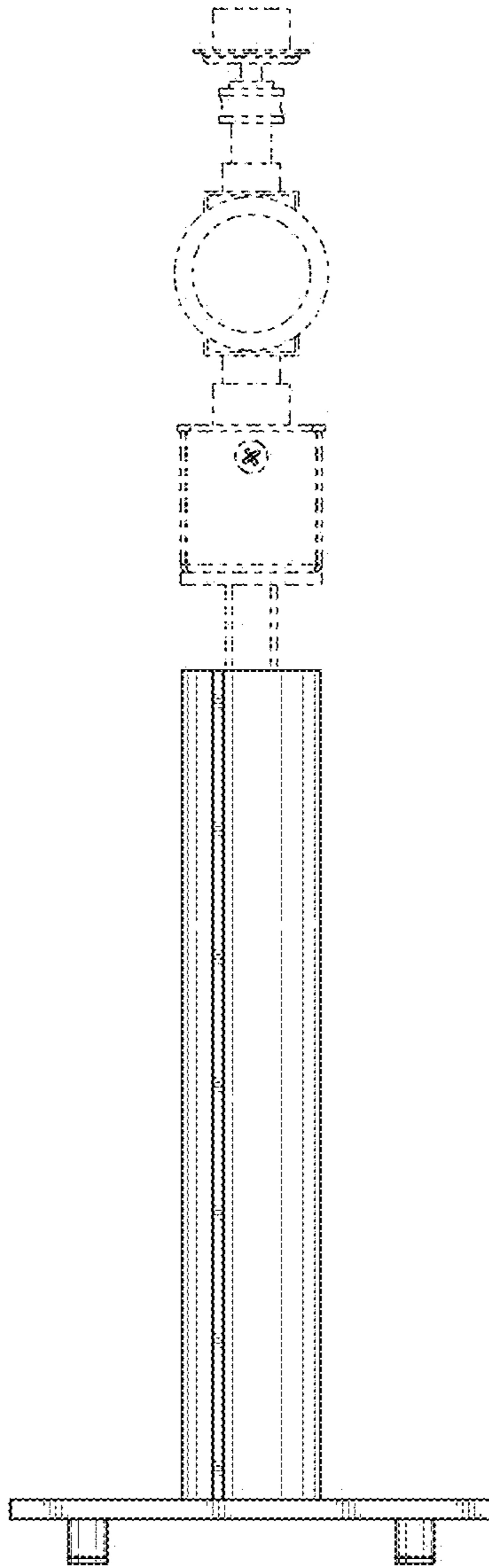


FIG. 6

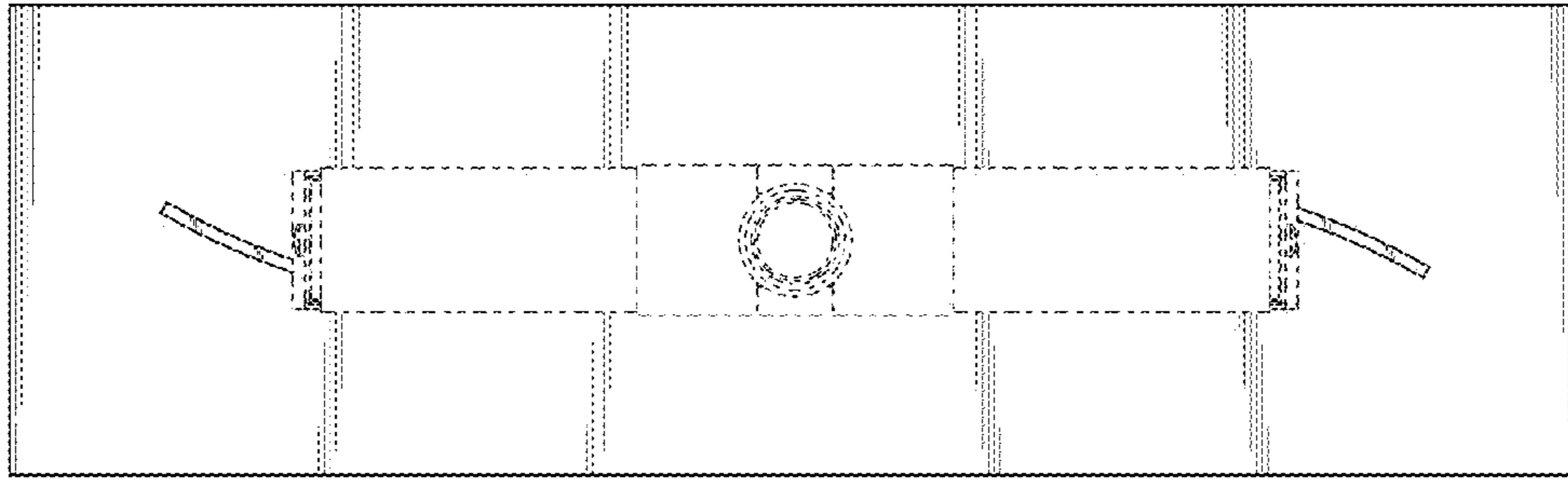


FIG. 7

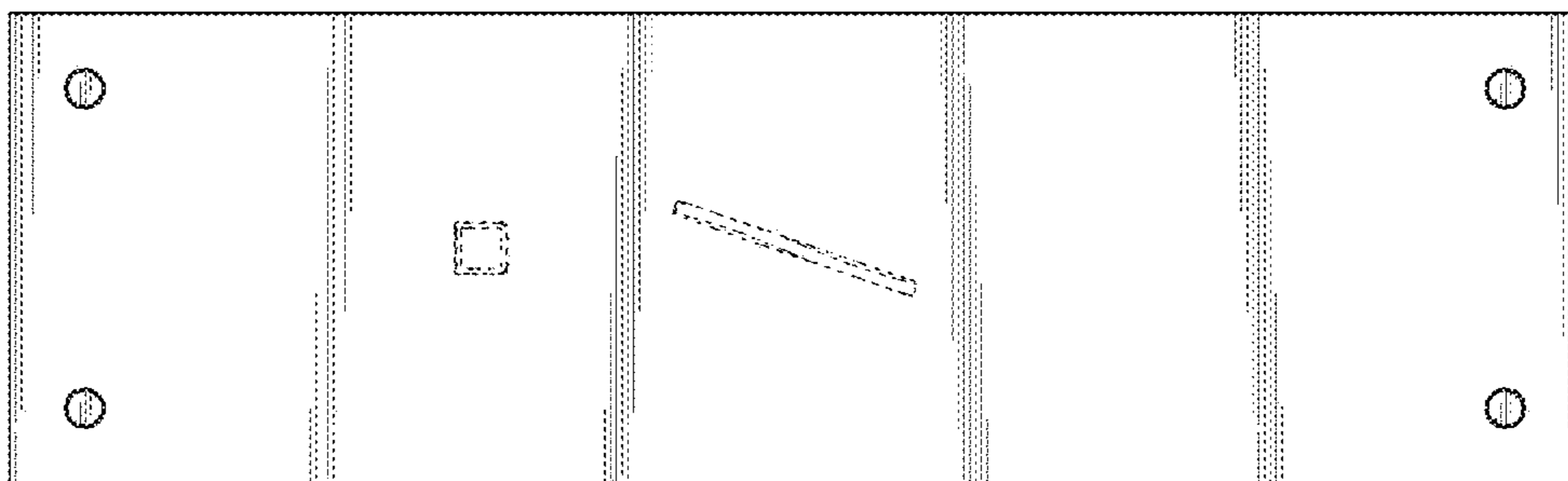


FIG. 8