



US00D703372S

(12) **United States Design Patent**
Martin

(10) **Patent No.:** **US D703,372 S**
(45) **Date of Patent:** **** Apr. 22, 2014**

(54) **LAMP**

(75) Inventor: **David Martin**, Brandon, VT (US)

(73) Assignee: **Hubbardton Forge, LLC**, Castleton, VT (US)

(**) Term: **14 Years**

(21) Appl. No.: **29/406,468**

(22) Filed: **Nov. 15, 2011**

(51) **LOC (10) Cl.** **26-99**

(52) **U.S. Cl.**
USPC **D26/138**

(58) **Field of Classification Search**

USPC D26/2, 3, 24, 60-63, 65, 68, 70-72, 74, D26/76, 80-87, 93, 113, 118, 120-122, 124, D26/128, 130, 134, 137, 138, 141, 142, 145, D26/152-155; D13/133.134, 136, 146, 178, D13/180; 362/92, 102, 147, 327, 364, 367, 362/368, 405, 407, 413, 545; 165/80.3, 165/104.21, 104.33; 248/303; D8/354, 367, D8/370; D25/38, 126; D6/524, 649

See application file for complete search history.

(56) **References Cited**

U.S. PATENT DOCUMENTS

D358,679 S *	5/1995	Garrity	D26/138
D374,739 S *	10/1996	Blanton	D26/138
D376,031 S *	11/1996	Burch	D26/138
D533,959 S *	12/2006	Wambaugh et al.	D26/138
D595,452 S *	6/2009	Khang et al.	D26/138
D599,951 S *	9/2009	Pickard et al.	D26/138
D614,345 S *	4/2010	Bertken	D26/138
D621,984 S *	8/2010	Mier-Langner et al.	D26/63
D631,188 S *	1/2011	Lovegrove	D26/138

* cited by examiner

Primary Examiner — Zenia Bennett

(74) *Attorney, Agent, or Firm* — Bourque and Associates, PA

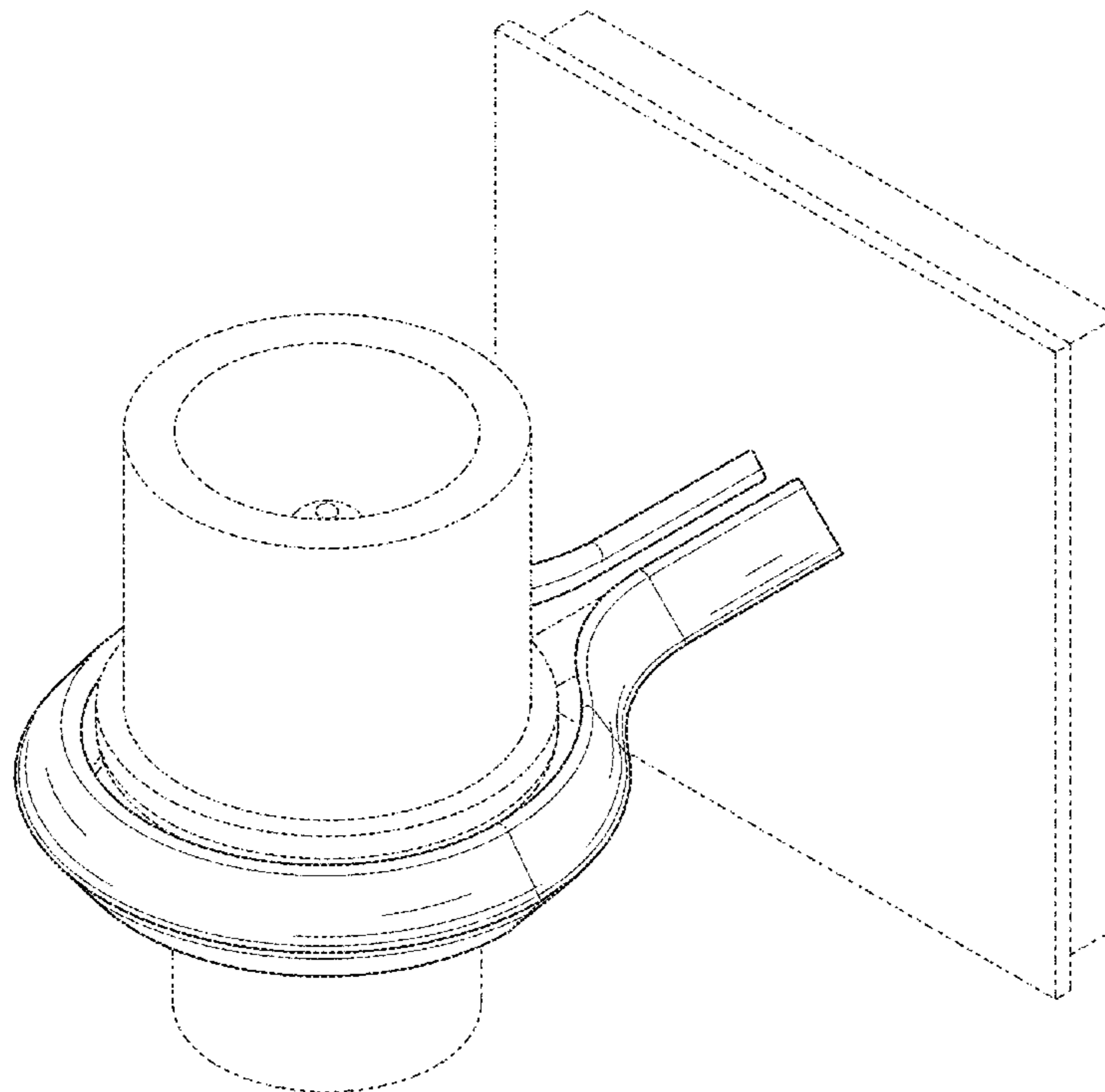
(57) **CLAIM**

The ornamental design for a lamp, as shown.

DESCRIPTION

FIG. 1 is a perspective view of the lamp according to the present invention;
FIG. 2 is a front view thereof;
FIG. 3 is a back view thereof;
FIG. 4 is a left view of the lamp, the right view being a mirror image thereof;
FIG. 5 is a top view thereof; and,
FIG. 6 is a bottom view thereof.

1 Claim, 6 Drawing Sheets



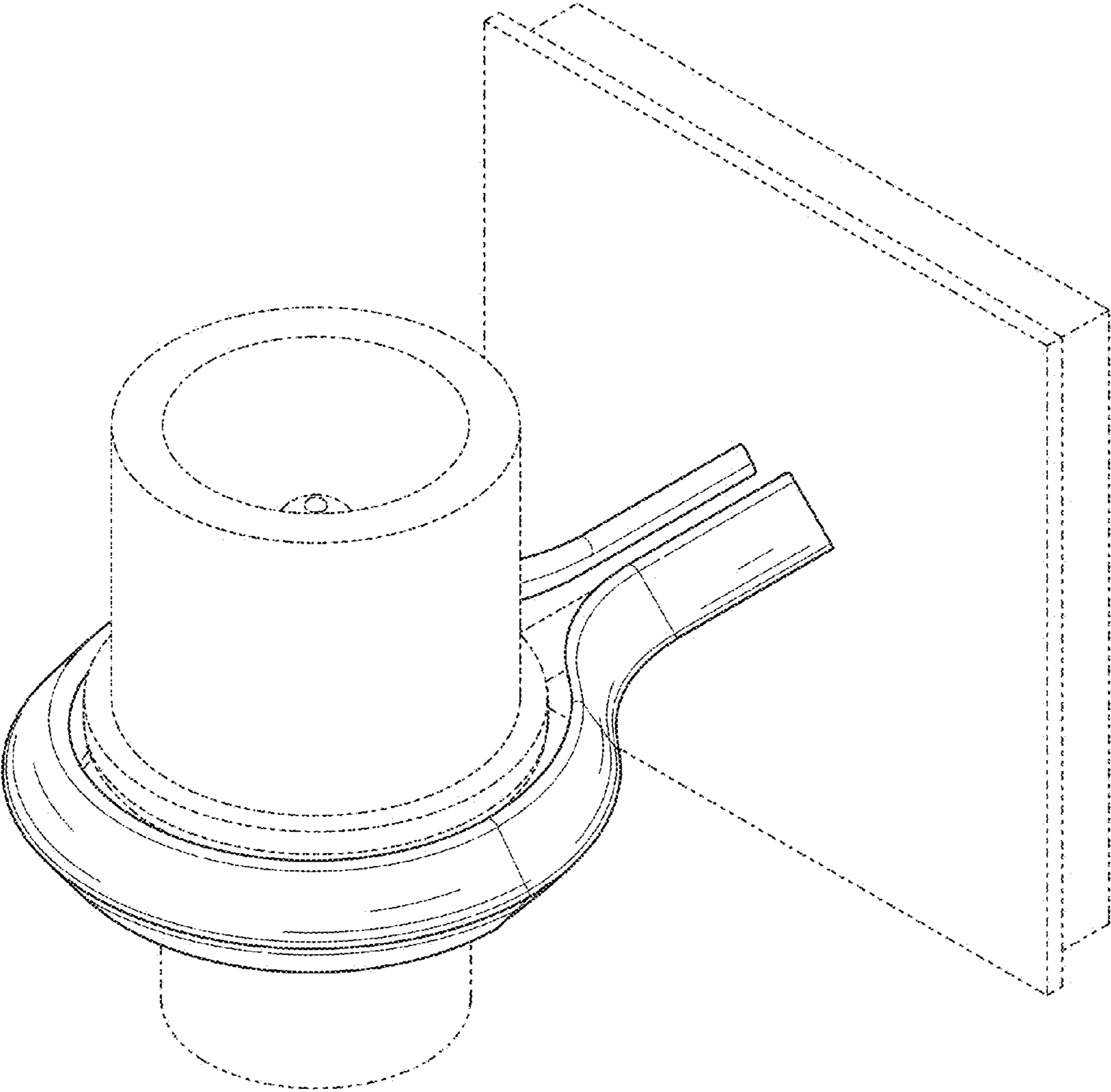


FIG. 1

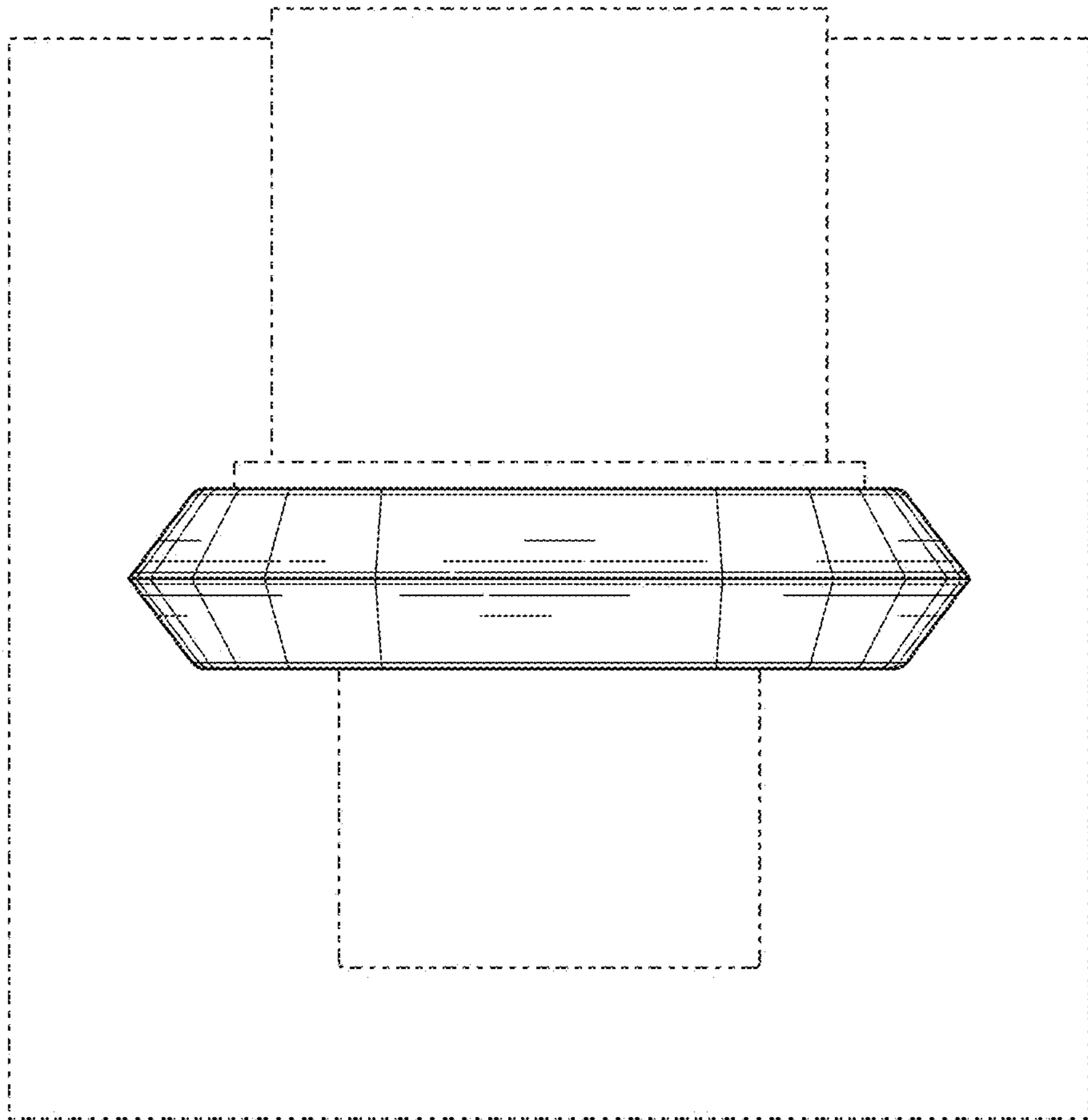


FIG. 2

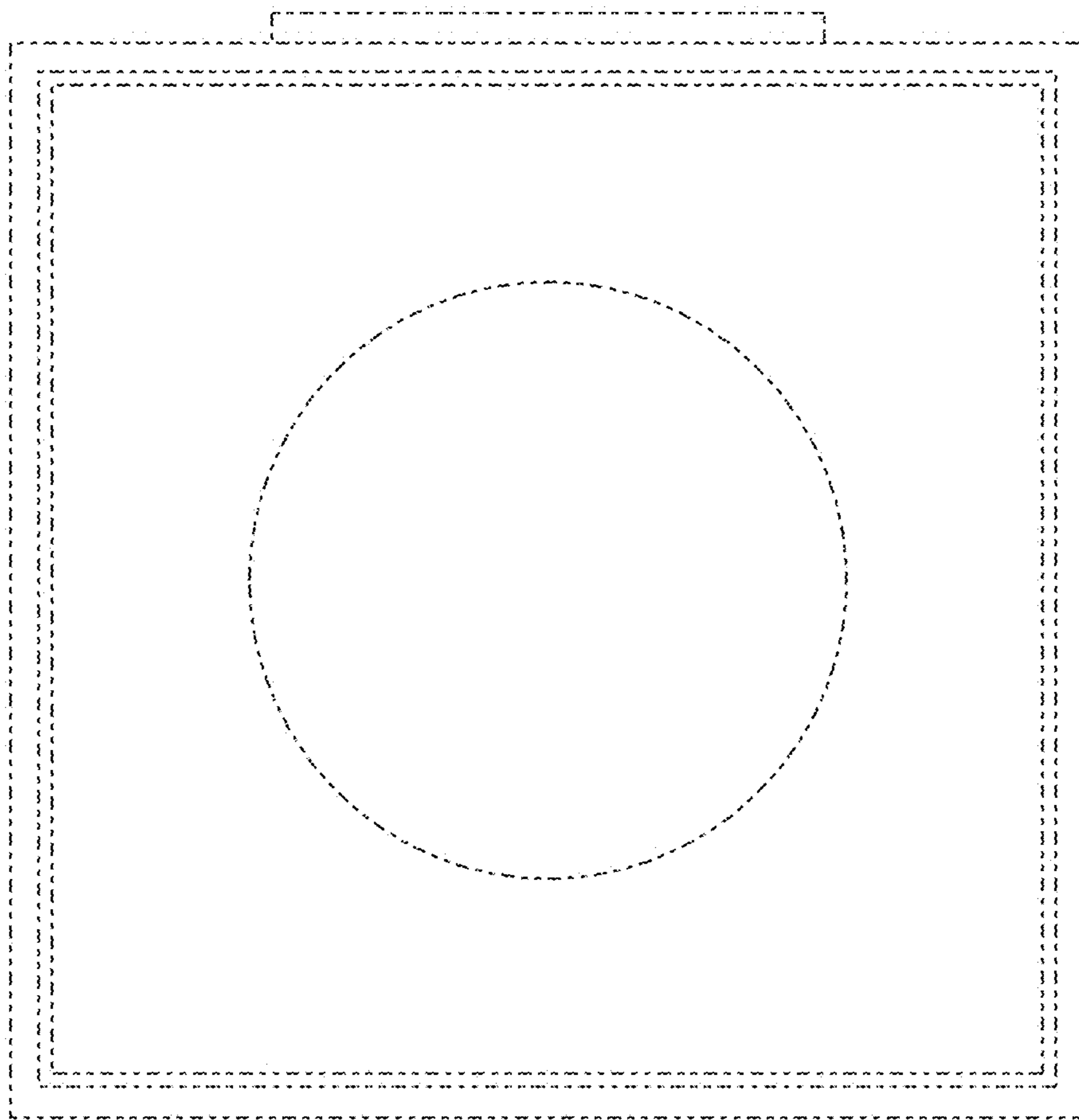


FIG. 3

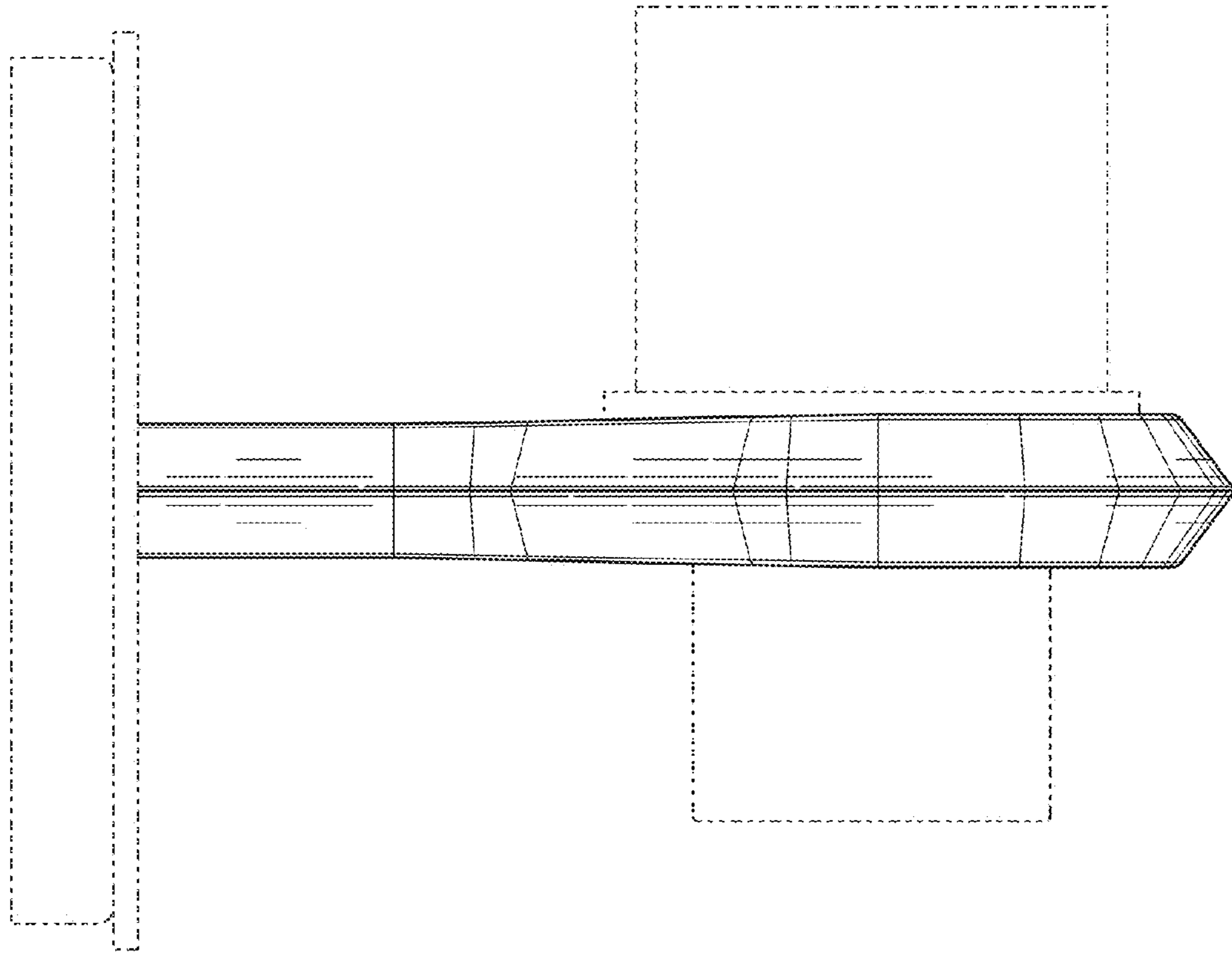


FIG. 4

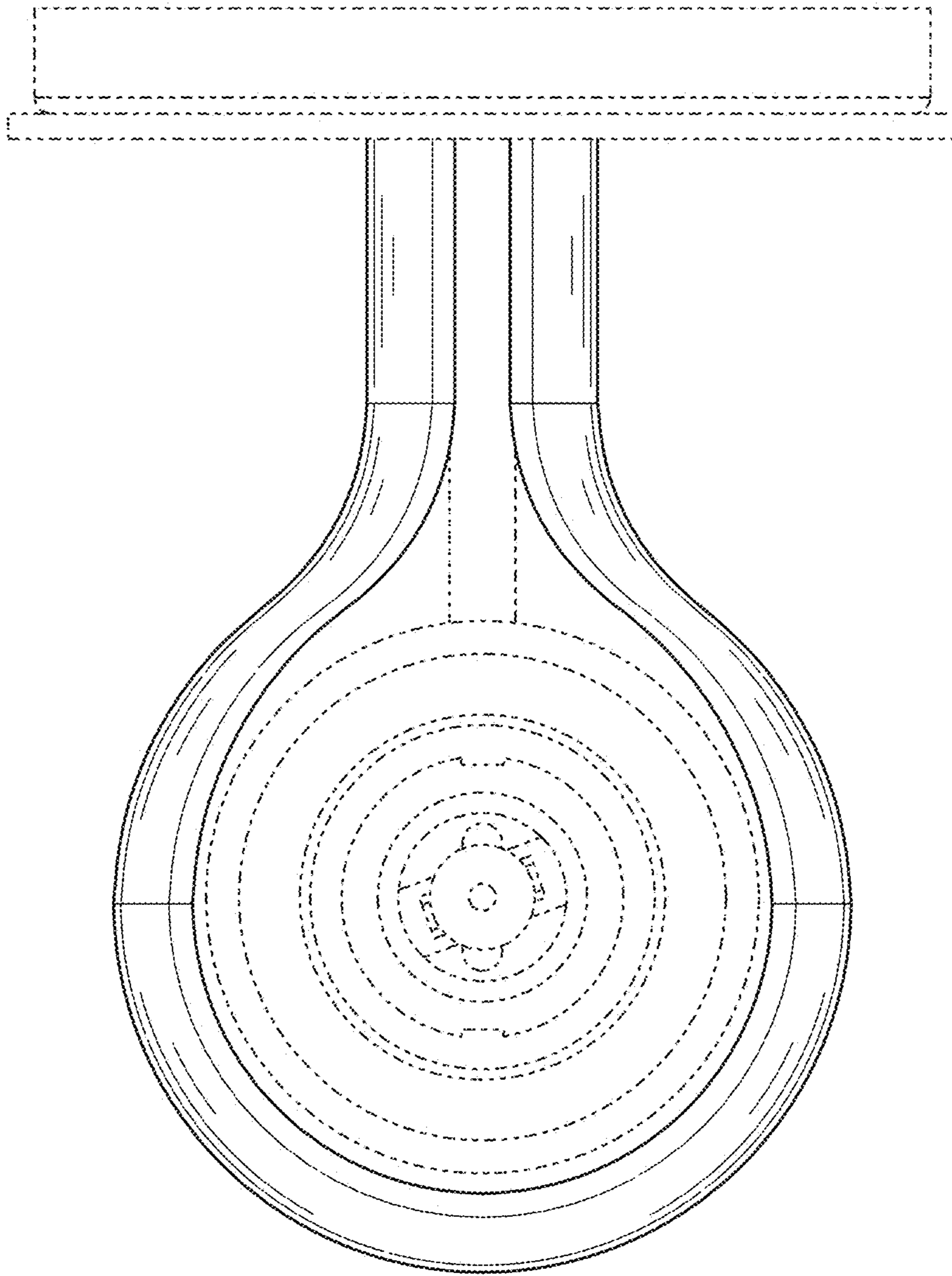


FIG. 5

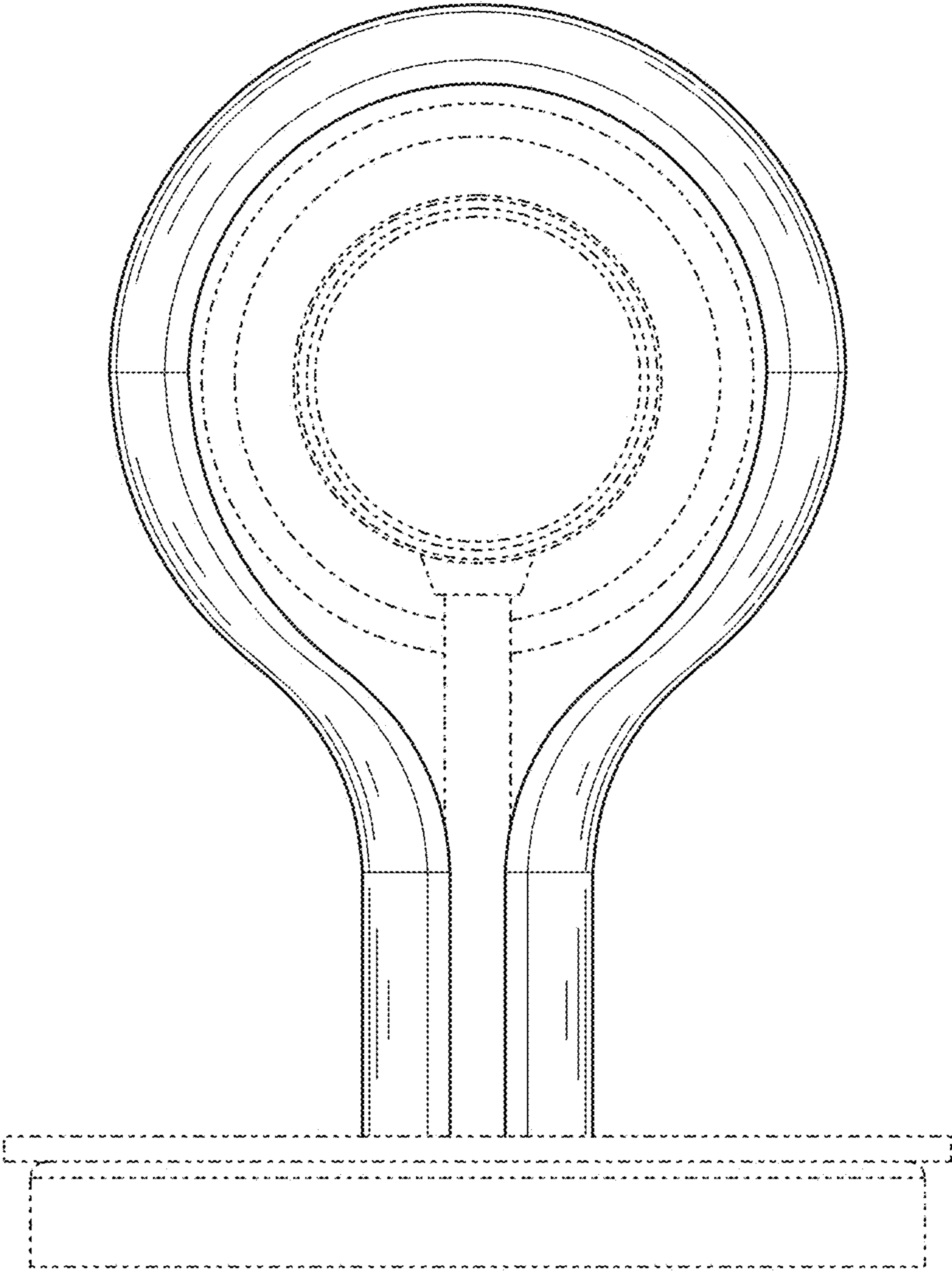


FIG. 6