



US00D703370S

(12) **United States Design Patent**
Helms et al.

(10) **Patent No.:** **US D703,370 S**

(45) **Date of Patent:** **** Apr. 22, 2014**

(54) **LIGHT COVER**

(71) Applicant: **ClaroLux, L.L.C.**, Greensboro, NC
(US)

(72) Inventors: **Brandon Lowry Helms**, Cornelius, NC
(US); **Robert Brian Groat**, Greensboro,
NC (US)

(73) Assignee: **ClaroLux, L.L.C.**, Greensboro, NC
(US)

(**) Term: **14 Years**

(21) Appl. No.: **29/450,723**

(22) Filed: **Mar. 21, 2013**

(51) **LOC (10) Cl.** **26-99**

(52) **U.S. Cl.**
USPC **D26/118**

(58) **Field of Classification Search**

USPC D26/152, 113, 118, 119, 154, 61, 62,
D26/65, 75, 16, 1, 2, 3, 120, 138, 128, 155,
D26/76, 121, 124, 125, 123, 141, 142, 66,
D26/68, 86, 71, 72, 77, 78, 151, 145, 74, 85,
D26/89, 82, 84, 92, 87, 136, 63, 59, 58, 28,
D26/88, 11, 9, 22, 81, 127, 129, 130, 131,
D26/133, 134, 135, 55; D13/179, 180;
362/219, 223, 225, 347, 346, 373, 326,
362/283, 249.02, 362, 374, 375, 408, 327,
362/328, 404, 297, 147, 149, 249.03,
362/249.11; D23/377, 411, 413; D11/89,
D11/90

See application file for complete search history.

(56) **References Cited**

U.S. PATENT DOCUMENTS

1,434,276 A * 10/1922 Aslanian 362/355
D169,960 S * 7/1953 Brill et al. D23/366

(Continued)

Primary Examiner — Kevin Rudzinski

(74) *Attorney, Agent, or Firm* — Michael G. Johnson; Moore
and Van Allen PLLC

(57) **CLAIM**

The ornamental design for a light cover, as shown and
described.

DESCRIPTION

FIG. 1 is a top front perspective view of a light cover showing
our new design.

FIG. 2 is a bottom front perspective view of the light cover as
shown in FIG. 1 showing our new design.

FIG. 3 is a top rear perspective view of the light cover as
shown in FIG. 1 showing our new design.

FIG. 4 is a bottom rear perspective view of the light cover as
shown in FIG. 1 showing our new design.

FIG. 5 is a top plan view of the light cover as shown in FIG.
1 showing our new design.

FIG. 6 is a bottom plan view of the light cover as shown in
FIG. 1 showing our new design.

FIG. 7 is a front elevation view of the light cover as shown in
FIG. 1 showing our new design.

FIG. 8 is a rear elevation view of the light cover as shown in
FIG. 1 showing our new design.

FIG. 9 is a left side elevation view of the light cover as shown
in FIG. 1 showing our new design, the right side elevation
view being a mirror image.

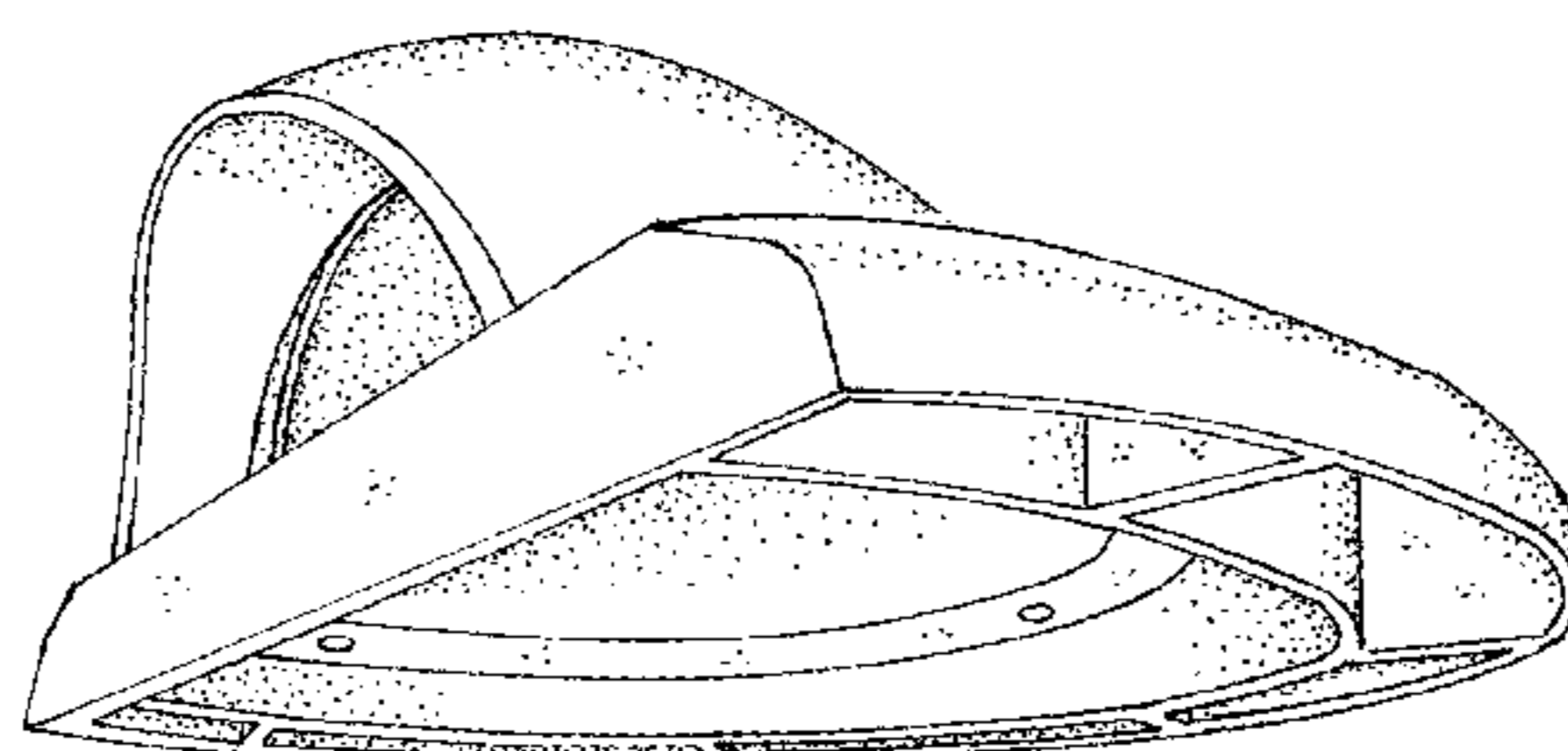
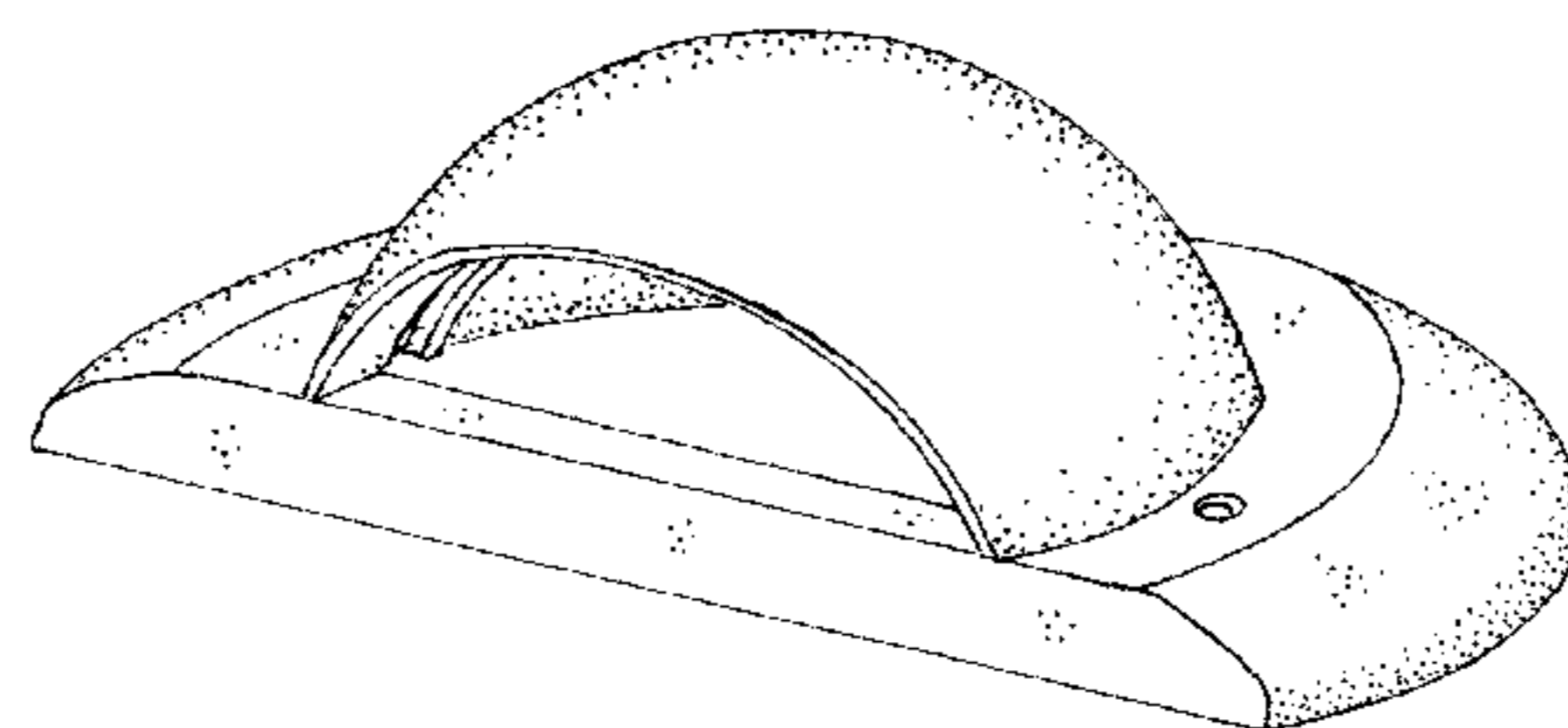
FIG. 10 is a cross-section view of the light cover as shown in
FIG. 1 showing our new design.

FIG. 11 is a front elevation view of the light cover as shown in
FIG. 1 and showing the direction of light flow showing our
new design; and,

FIG. 12 is a left side elevation view of the light cover as shown
in FIG. 1 and showing the direction of light flow showing our
new design.

The portions shown in broken lines are not part of the claimed
design but show the environment in which the design is asso-
ciated.

1 Claim, 6 Drawing Sheets



(56)

References Cited

U.S. PATENT DOCUMENTS

| | | | | | | | |
|--------------|--------|---------------------|---------|----------------|---------|----------------------|-----------|
| D283,555 S * | 4/1986 | Levi | D26/85 | 6,561,677 B1 * | 5/2003 | Leen | 362/276 |
| D337,846 S * | 7/1993 | Fiorato | D26/85 | D483,887 S * | 12/2003 | Hoshino | D26/28 |
| D378,621 S * | 3/1997 | Landefeld | D26/85 | D501,944 S * | 2/2005 | Friedman et al. | D26/71 |
| D390,999 S * | 2/1998 | Gaskins et al. | D26/85 | D563,588 S * | 3/2008 | Mullen | D26/85 |
| D437,969 S * | 2/2001 | Chen | D26/131 | D588,735 S * | 3/2009 | Woodard | D26/61 |
| D460,204 S * | 7/2002 | Giese | D26/26 | 7,578,597 B2 * | 8/2009 | Hoover et al. | 362/153.1 |
| | | | | D612,522 S * | 3/2010 | Howard et al. | D26/26 |
| | | | | D617,491 S * | 6/2010 | Dordoni | D26/85 |
| | | | | D625,044 S * | 10/2010 | Lai et al. | D26/124 |

* cited by examiner

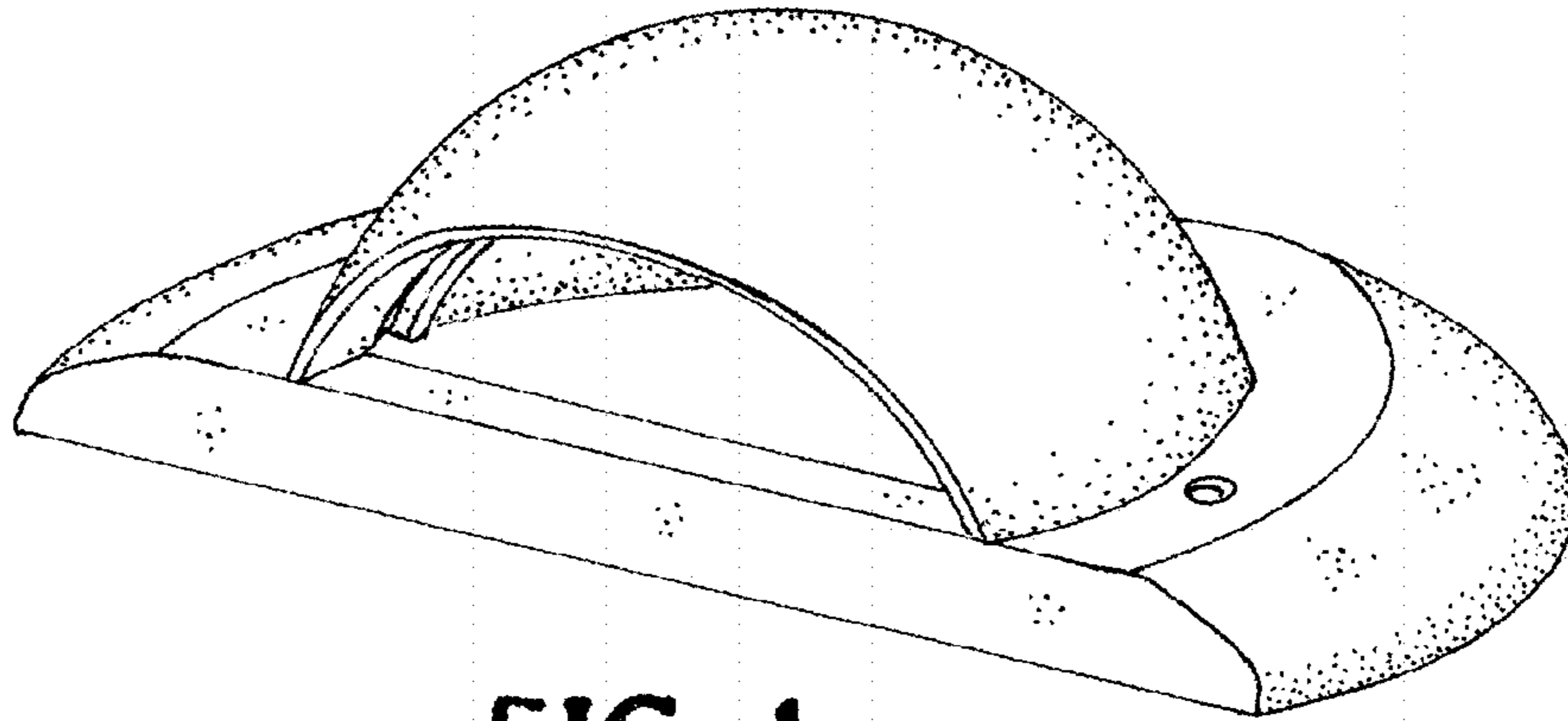


FIG. 1

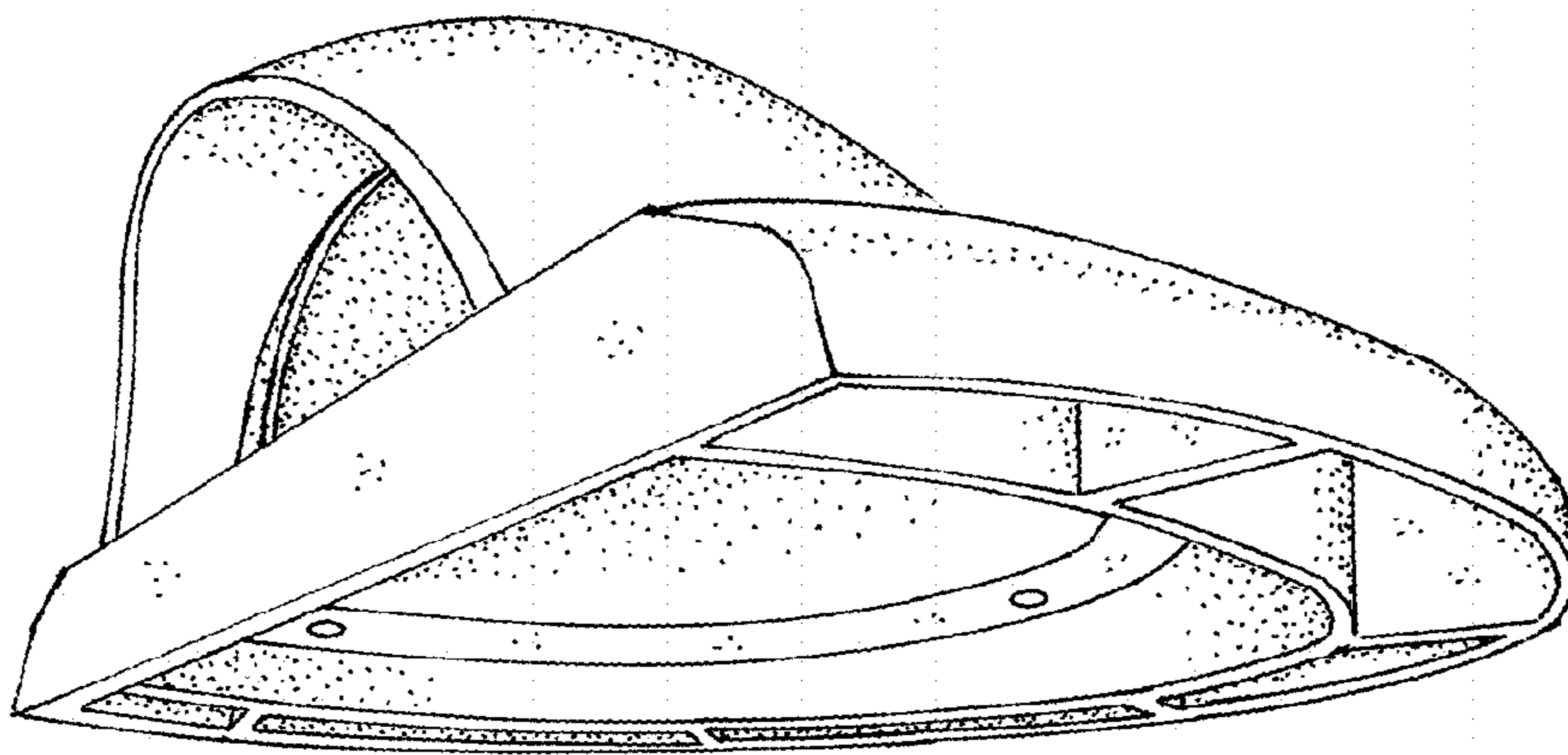


FIG. 2

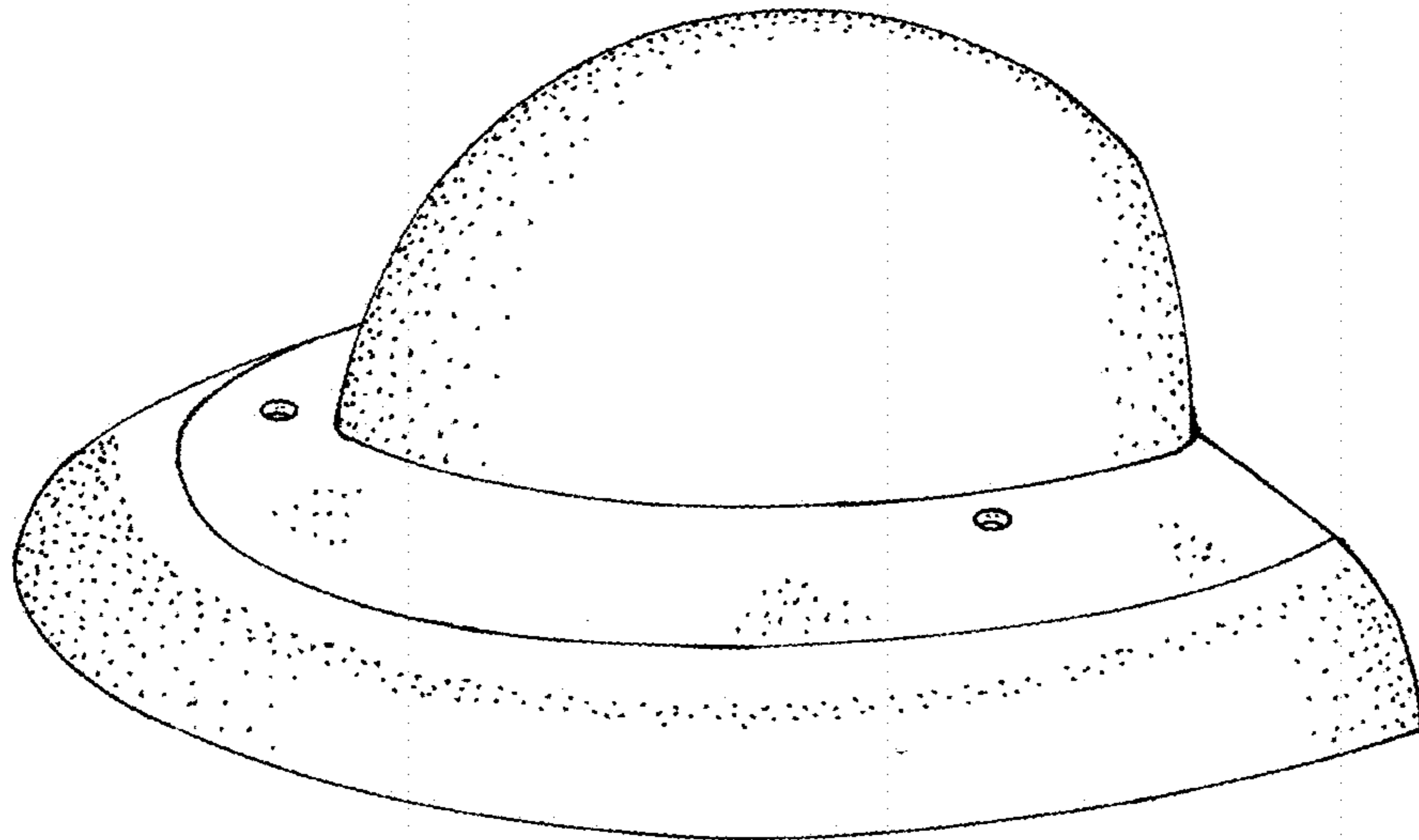


FIG. 3

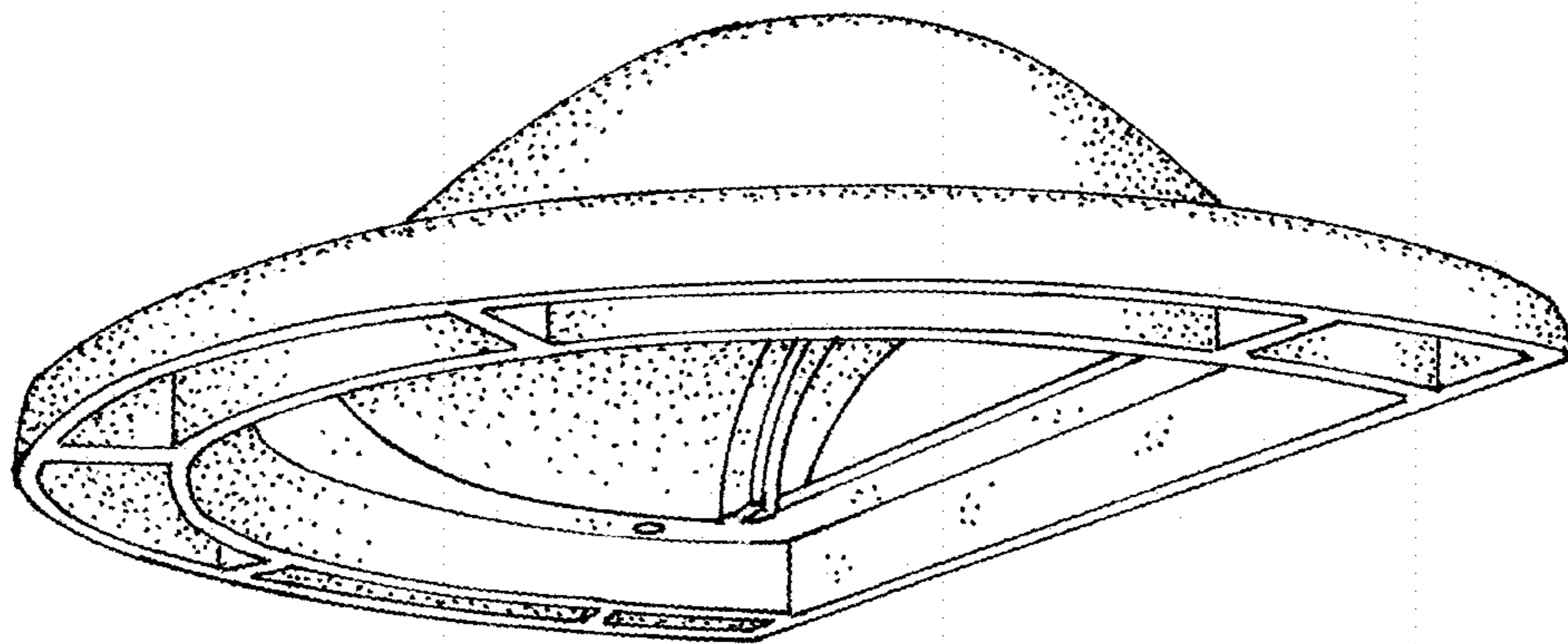


FIG. 4

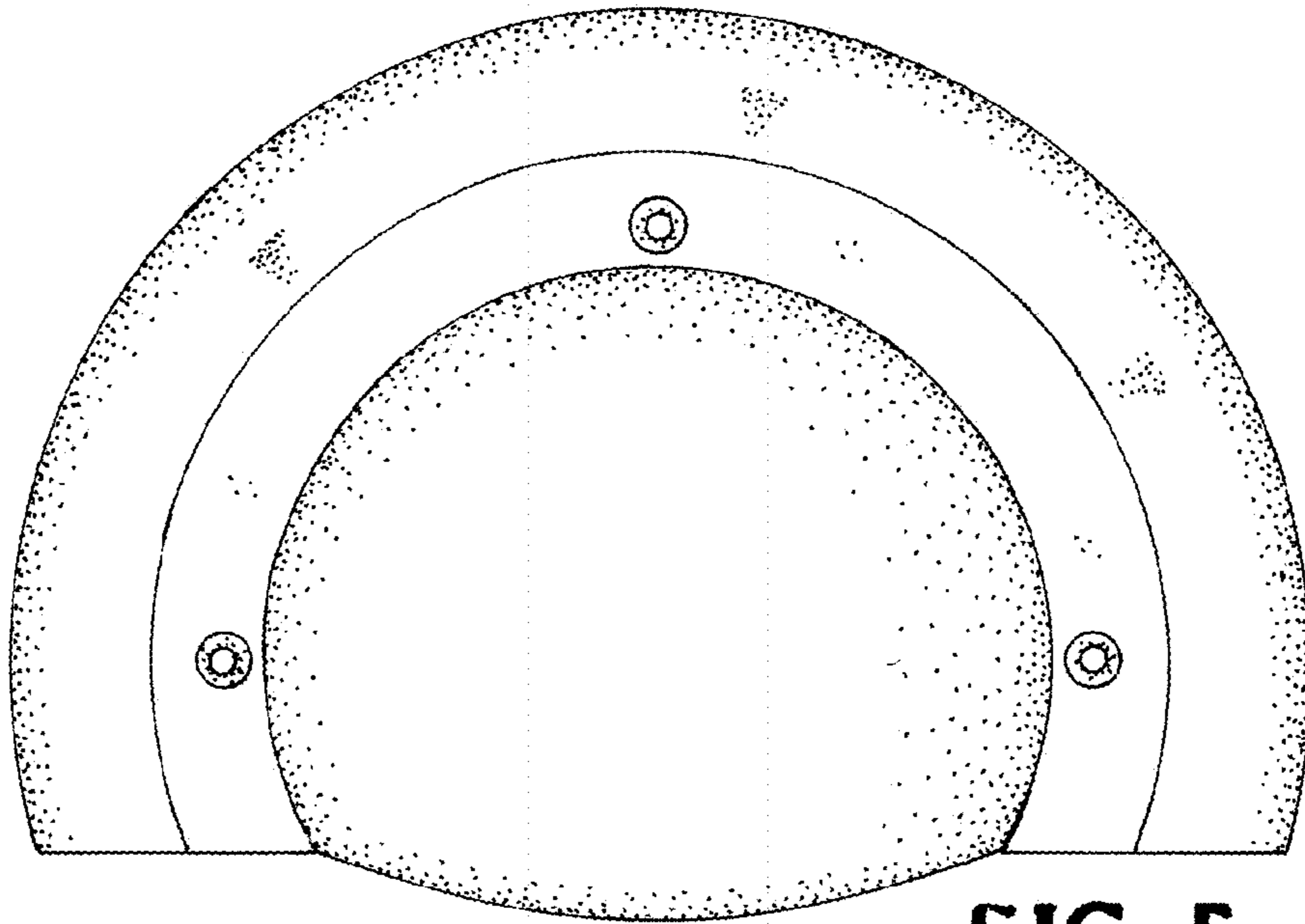


FIG. 5

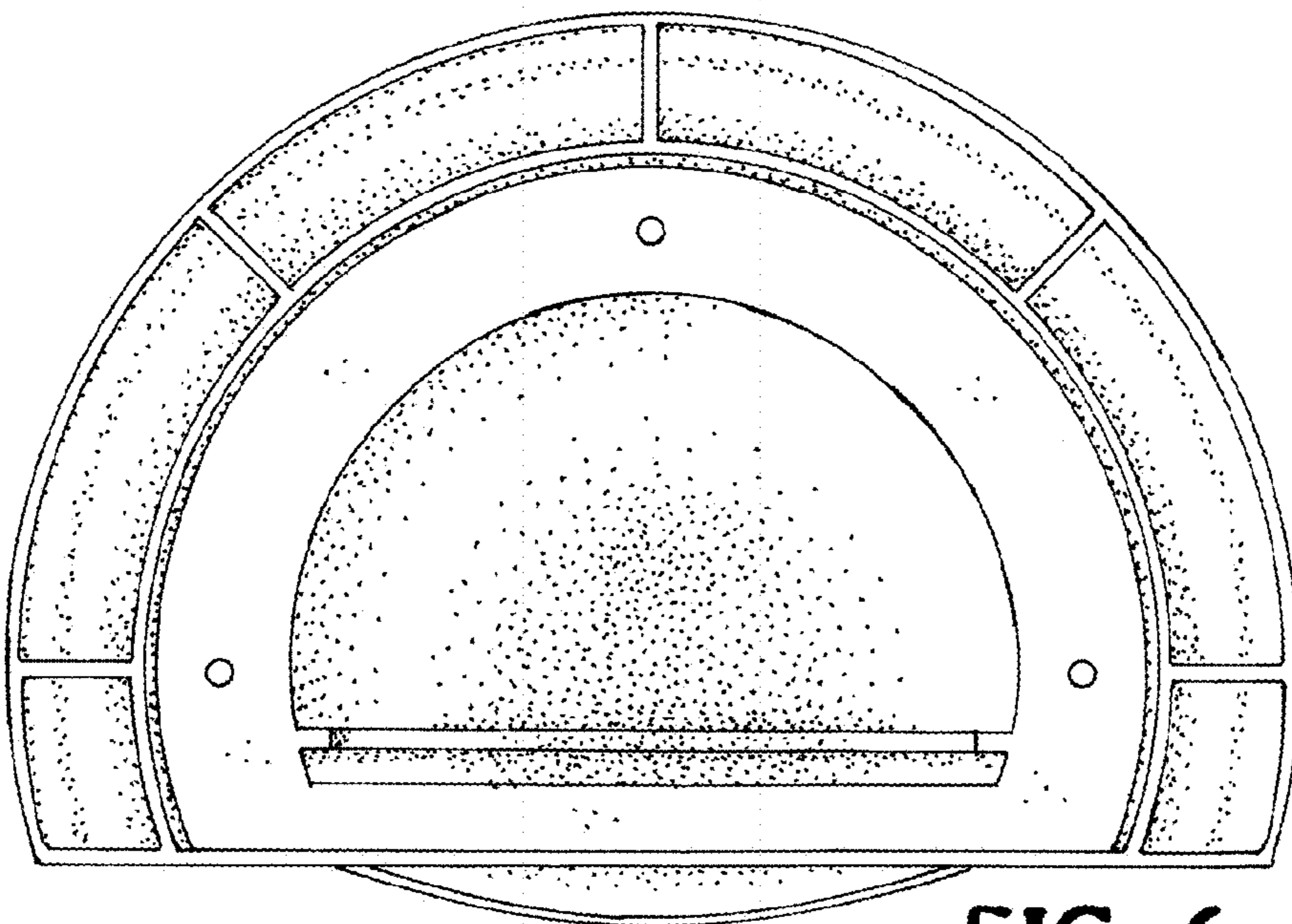


FIG. 6

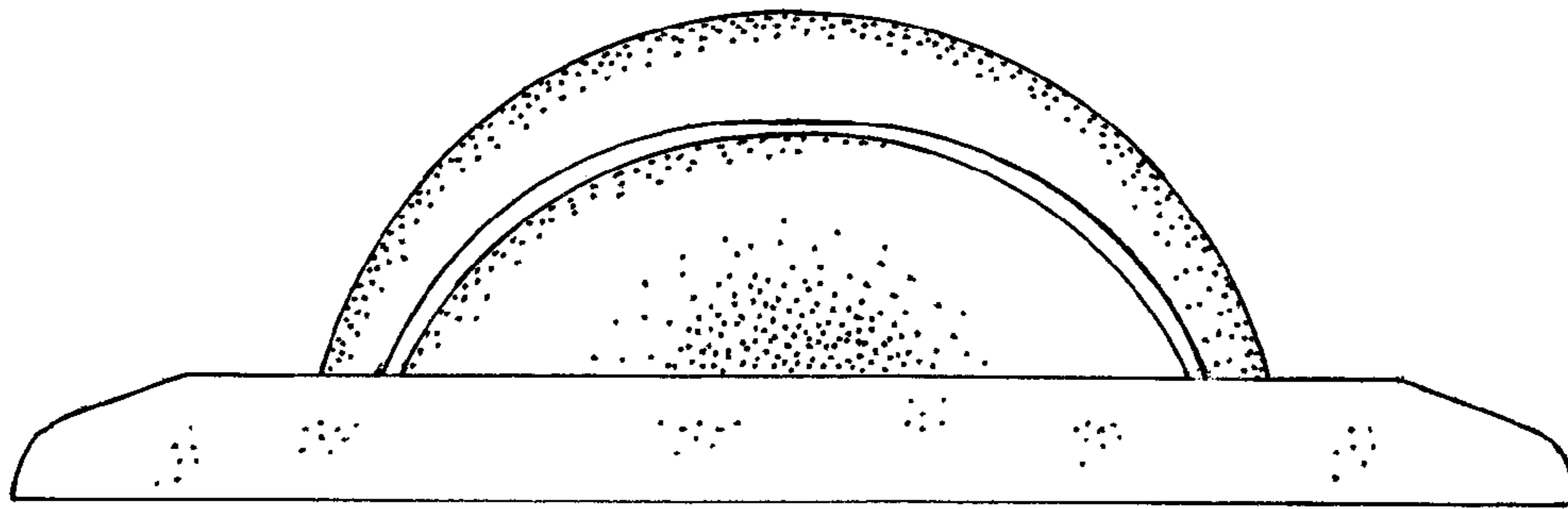


FIG. 7

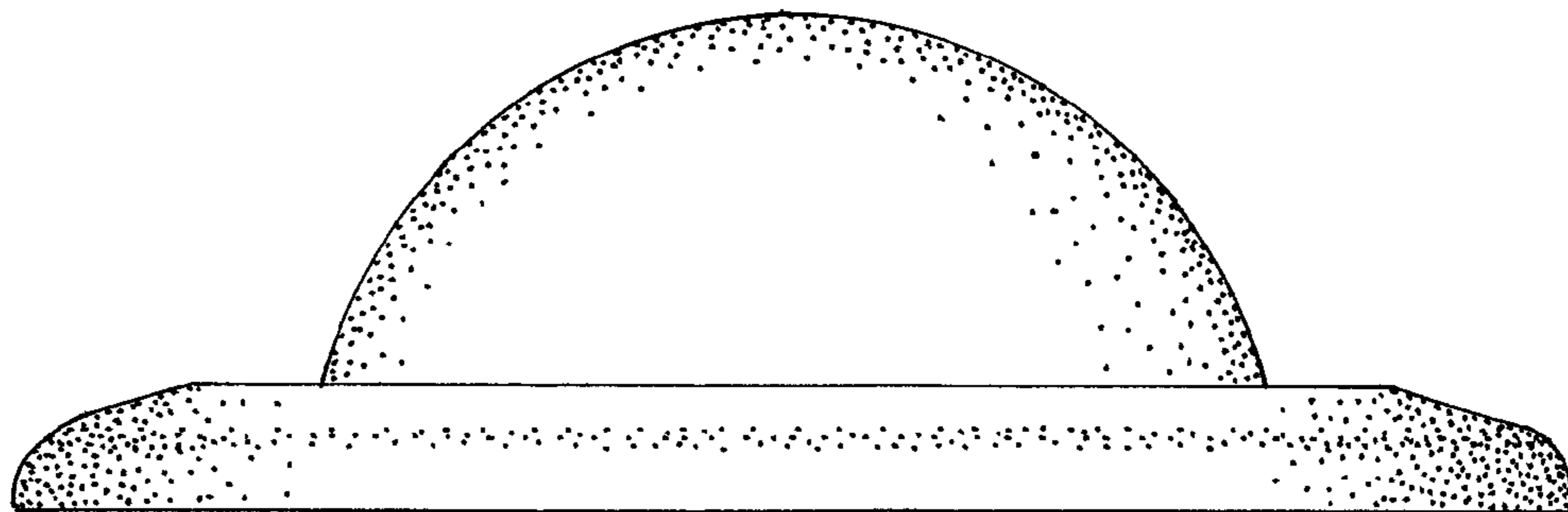


FIG. 8

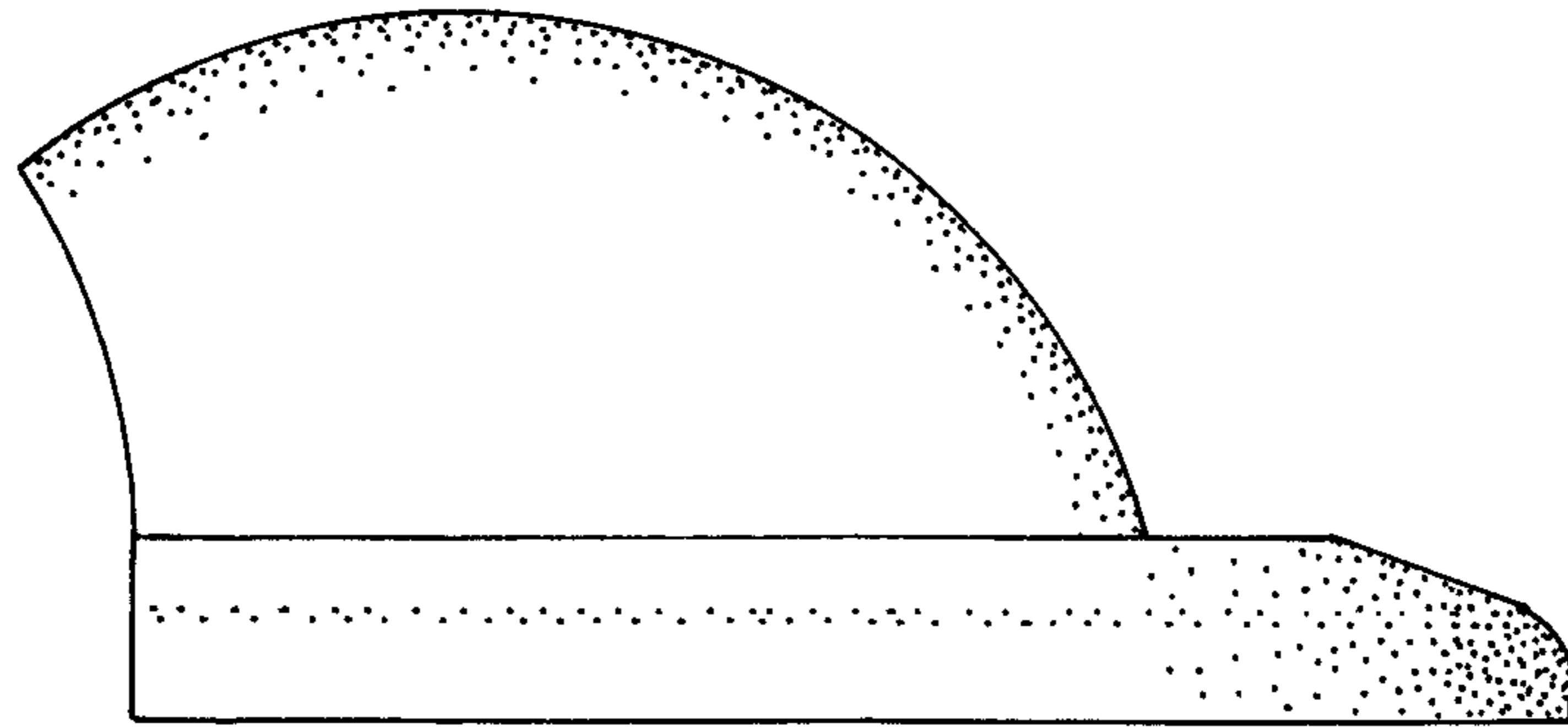


FIG. 9

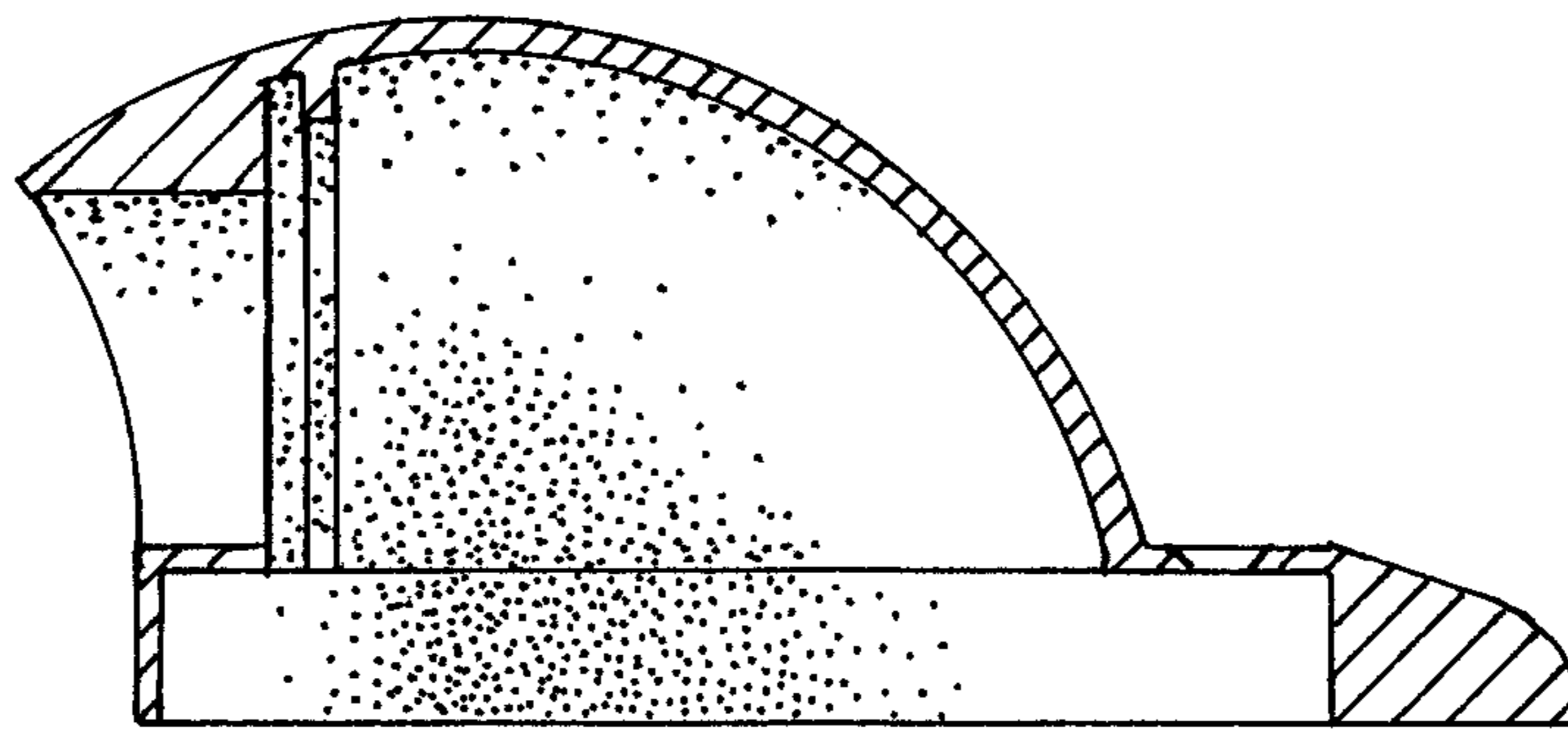


FIG. 10

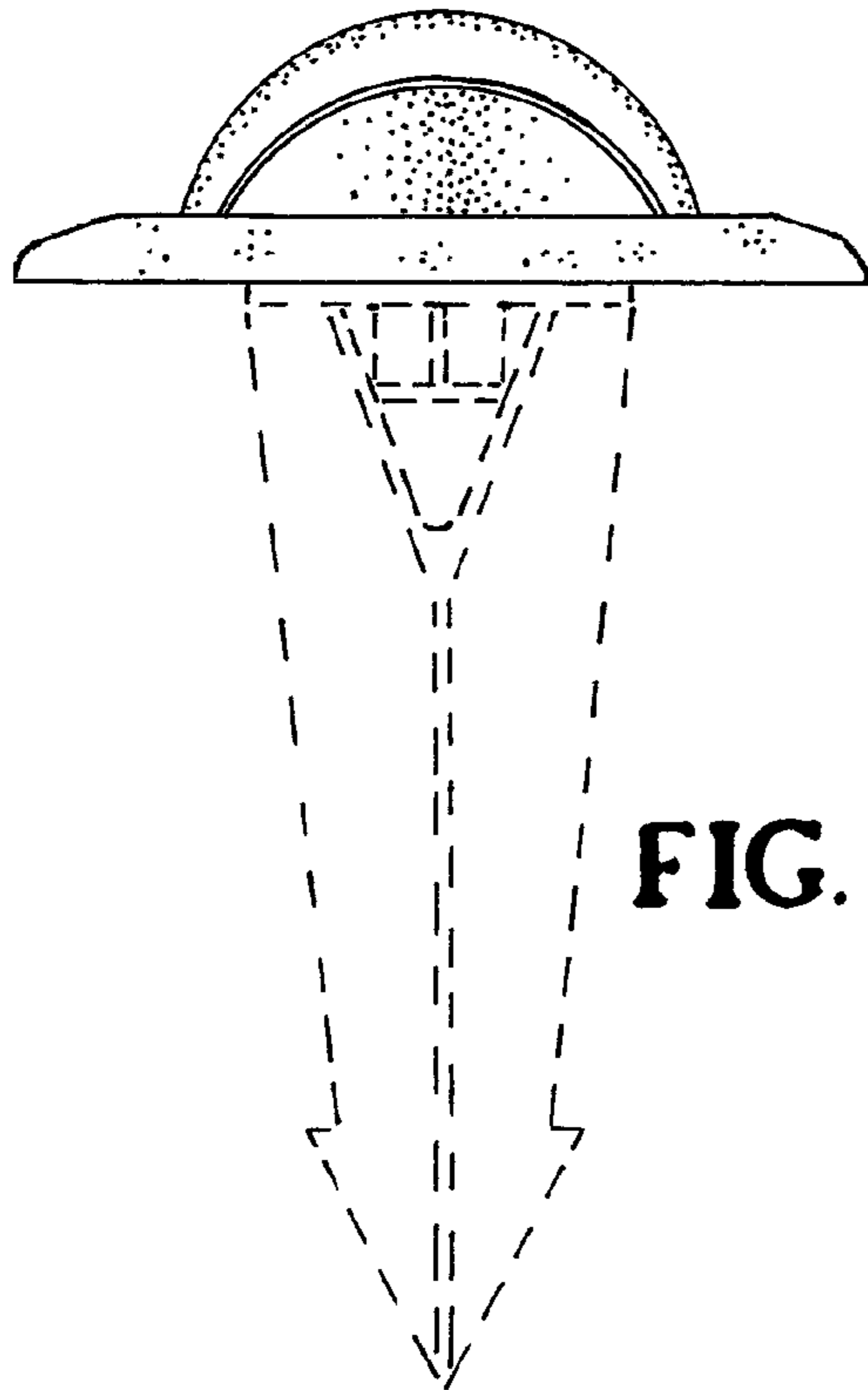


FIG. 11

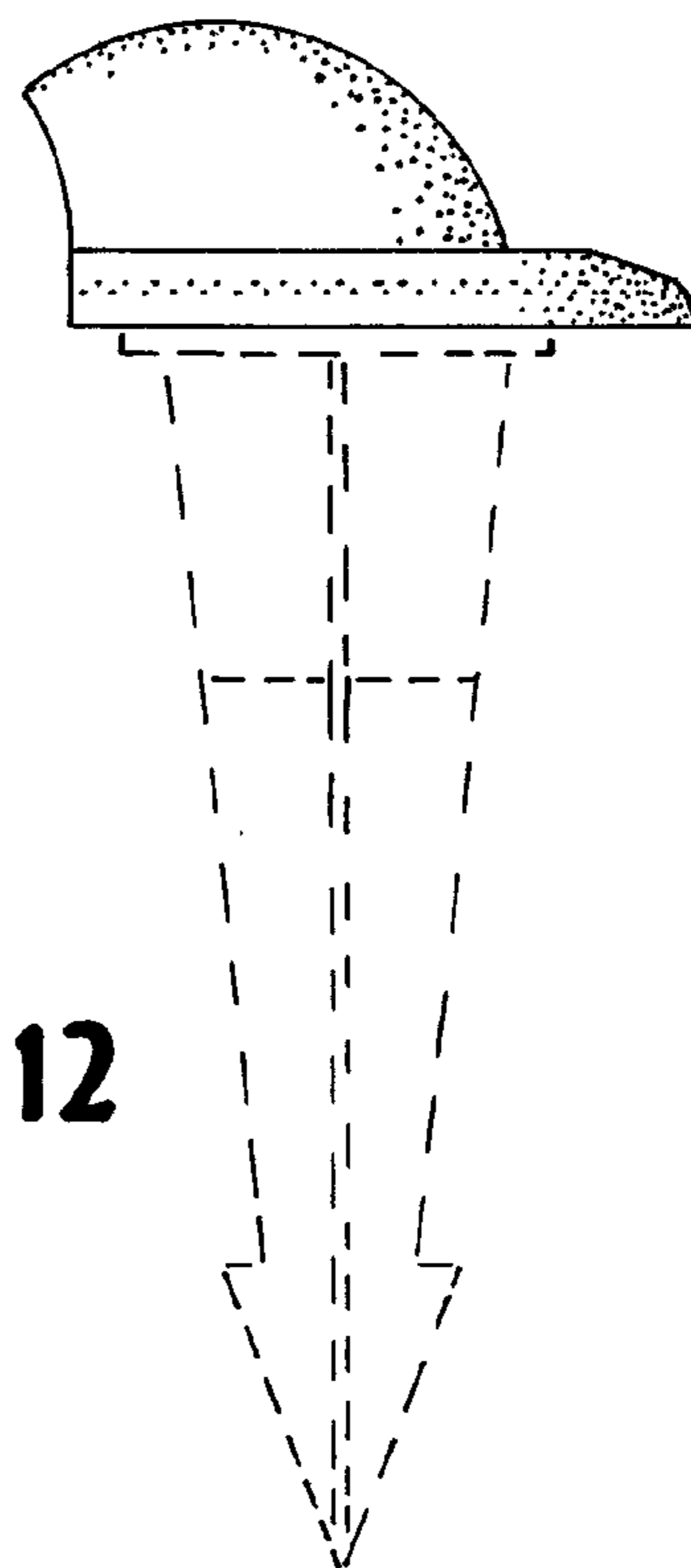


FIG. 12