



US00D703368S

(12) **United States Design Patent**
Oldani

(10) **Patent No.:** **US D703,368 S**

(45) **Date of Patent:** **** Apr. 22, 2014**

(54) **CAPTIVE LATCH FOR FLUORESCENT LIGHT FIXTURE**

(75) Inventor: **Charles S. Oldani**, Saint Louis, MO (US)

(73) Assignee: **Koller Enterprises, Inc.**, Fenton, MO (US)

(**) Term: **14 Years**

(21) Appl. No.: **29/398,040**

(22) Filed: **Jul. 26, 2011**

(51) **LOC (10) Cl.** **26-99**

(52) **U.S. Cl.**
USPC **D26/113**

(58) **Field of Classification Search**
USPC D26/1, 2, 3, 24, 25, 26, 28, 42, 60, 61, D26/62, 63, 64, 65, 66, 72, 75, 78, 77, 80, D26/81, 83, 88, 113, 118, 120, 119, 121, D26/122, 128, 138, 139, 140, 141, 155; 362/396, 326, 260, 479, 374; D8/338, D8/342, 331, 333, 336, 339, 343; 292/113, 292/67, 122

See application file for complete search history.

(56) **References Cited**

U.S. PATENT DOCUMENTS

2,358,607	A *	9/1944	Tinnerman	292/87
2,825,798	A *	3/1958	Zingone	362/223
2,861,711	A *	11/1958	Schneider	220/830
3,069,541	A *	12/1962	Thomsen et al.	362/343
3,185,835	A *	5/1965	Muller et al.	362/324
3,525,544	A *	8/1970	Jacobs	292/18
3,549,879	A *	12/1970	Meyer	362/223
3,700,887	A *	10/1972	Marx	362/396
4,138,716	A *	2/1979	Muhlethaler et al.	362/375
4,469,370	A *	9/1984	Petersen	296/218
4,890,869	A *	1/1990	Langkamp, Jr.	292/113
5,008,792	A *	4/1991	Liedtke et al.	362/374

5,172,976	A *	12/1992	Bogdanovs	362/374
5,271,649	A *	12/1993	Gromotka	292/113
D377,141	S *	1/1997	Ford et al.	D8/331
D377,446	S *	1/1997	Ford et al.	D8/331
D395,388	S *	6/1998	Bourne et al.	D8/338
6,045,241	A *	4/2000	Pahl	362/365
6,059,424	A *	5/2000	Kotloff	362/220
D429,618	S *	8/2000	Tieu	D8/331

(Continued)

Primary Examiner — Kevin Rudzinski

(74) *Attorney, Agent, or Firm* — Stinson Leonard Street LLP

(57) **CLAIM**

The ornamental design for a captive latch for fluorescent light fixture, as shown and described.

DESCRIPTION

FIG. 1 is a perspective view of the design for a captive latch for fluorescent light fixture according to the present invention. Structure shown in broken lines is for the purpose of illustrating environment and forms no part of the invention;

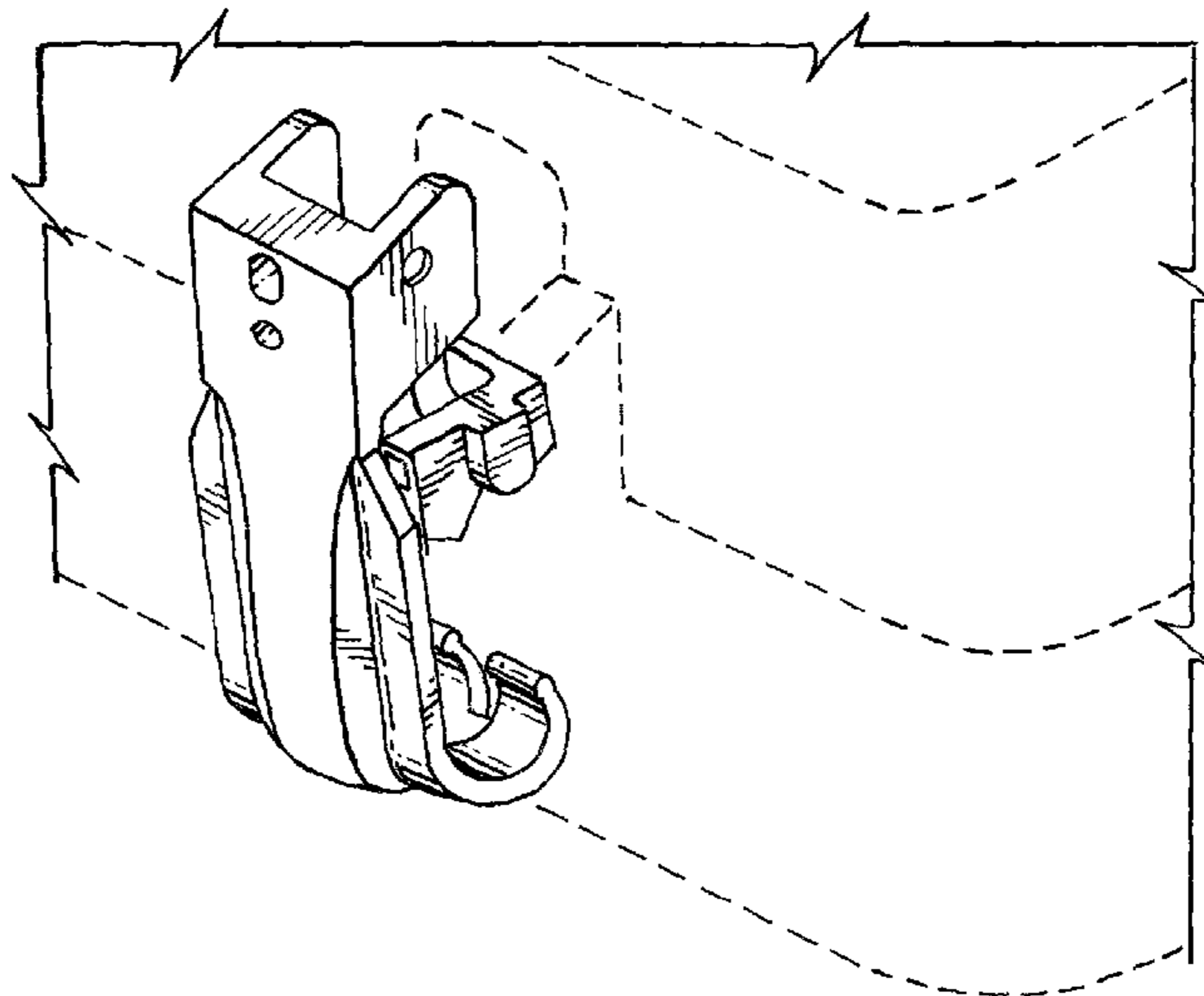
FIG. 2 is a front elevational view of the design for a captive latch for fluorescent light fixture, the back side is not normally visible and accordingly is not shown. Structural portions shown in broken lines represent environment and do not form a part of the invention;

FIG. 3 is a top plan view of the captive latch for fluorescent light fixture according to the present invention. Structural portions shown in broken lines representing environment and not forming a part of the invention;

FIG. 4 is an elevational view of one side of the captive latch for fluorescent light fixture according to the present invention, the opposite side being identical thereto. Structural portions shown in broken lines representing environment and not forming a part of the invention; and,

FIG. 5 is a bottom plan view of the captive latch for fluorescent light fixture according to the present invention. Structural portions shown in broken lines representing environment and not forming a part of the invention.

1 Claim, 2 Drawing Sheets



(56)

References Cited

U.S. PATENT DOCUMENTS

6,397,644	B1 *	6/2002	Gidding	70/18	7,296,911	B2 *	11/2007	Plunk et al.	362/221
6,439,741	B1 *	8/2002	Diaz et al.	362/396	7,419,196	B2 *	9/2008	Haugaard et al.	292/122
6,578,233	B1 *	6/2003	Avila et al.	16/344	7,611,257	B2 *	11/2009	Engel	362/147
6,964,502	B1 *	11/2005	Verfuerrth	362/217.09	D612,534	S *	3/2010	Mayfield et al.	D26/142
7,083,308	B2 *	8/2006	Kenyon et al.	362/374	8,220,957	B2 *	7/2012	Lydecker et al.	362/222
					8,337,041	B2 *	12/2012	McCane et al.	362/217.04
					8,350,228	B2 *	1/2013	Welker	250/455.11
					2012/0217882	A1 *	8/2012	Wong et al.	315/185 R

* cited by examiner

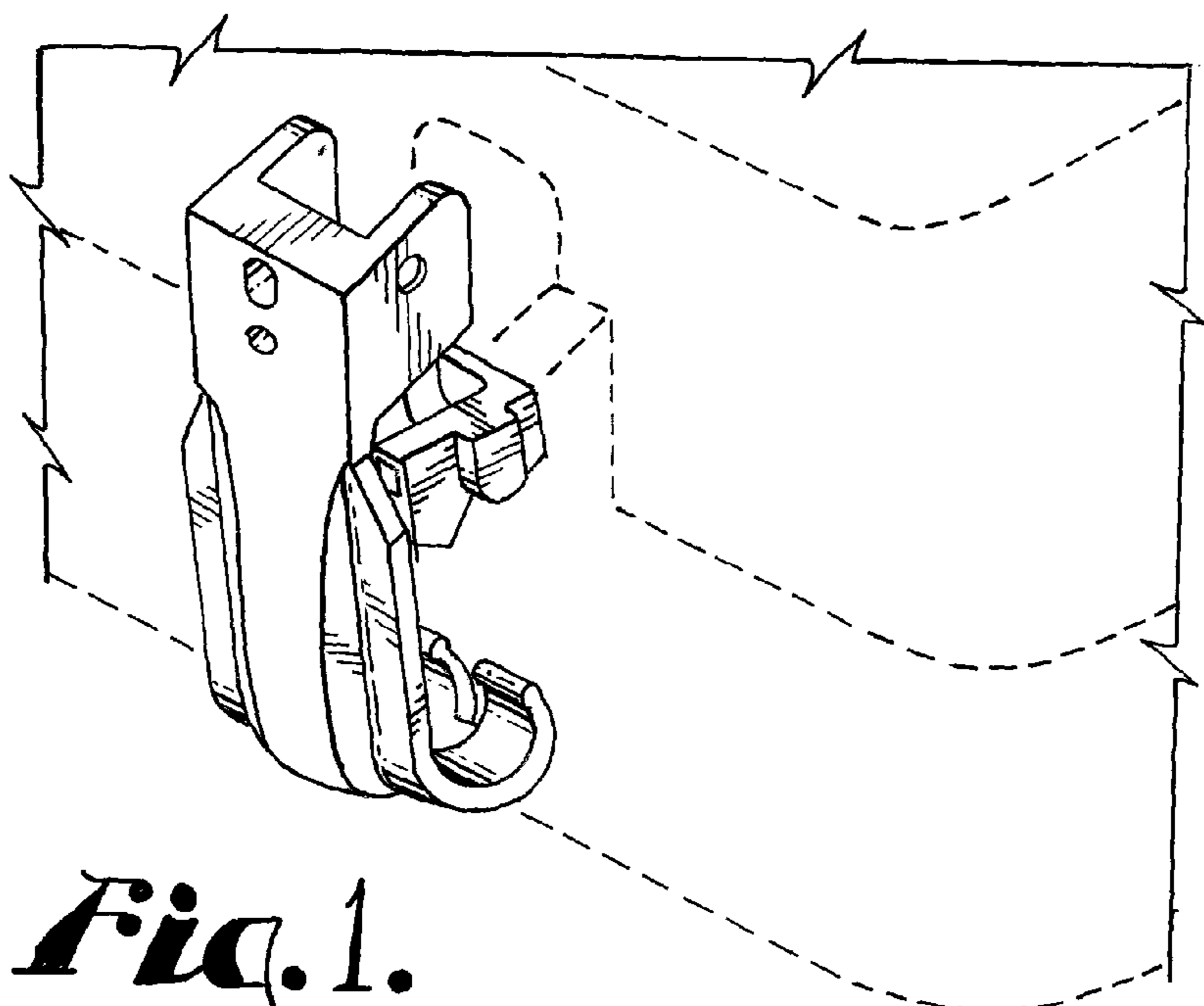


Fig. 1.

Fig. 2.

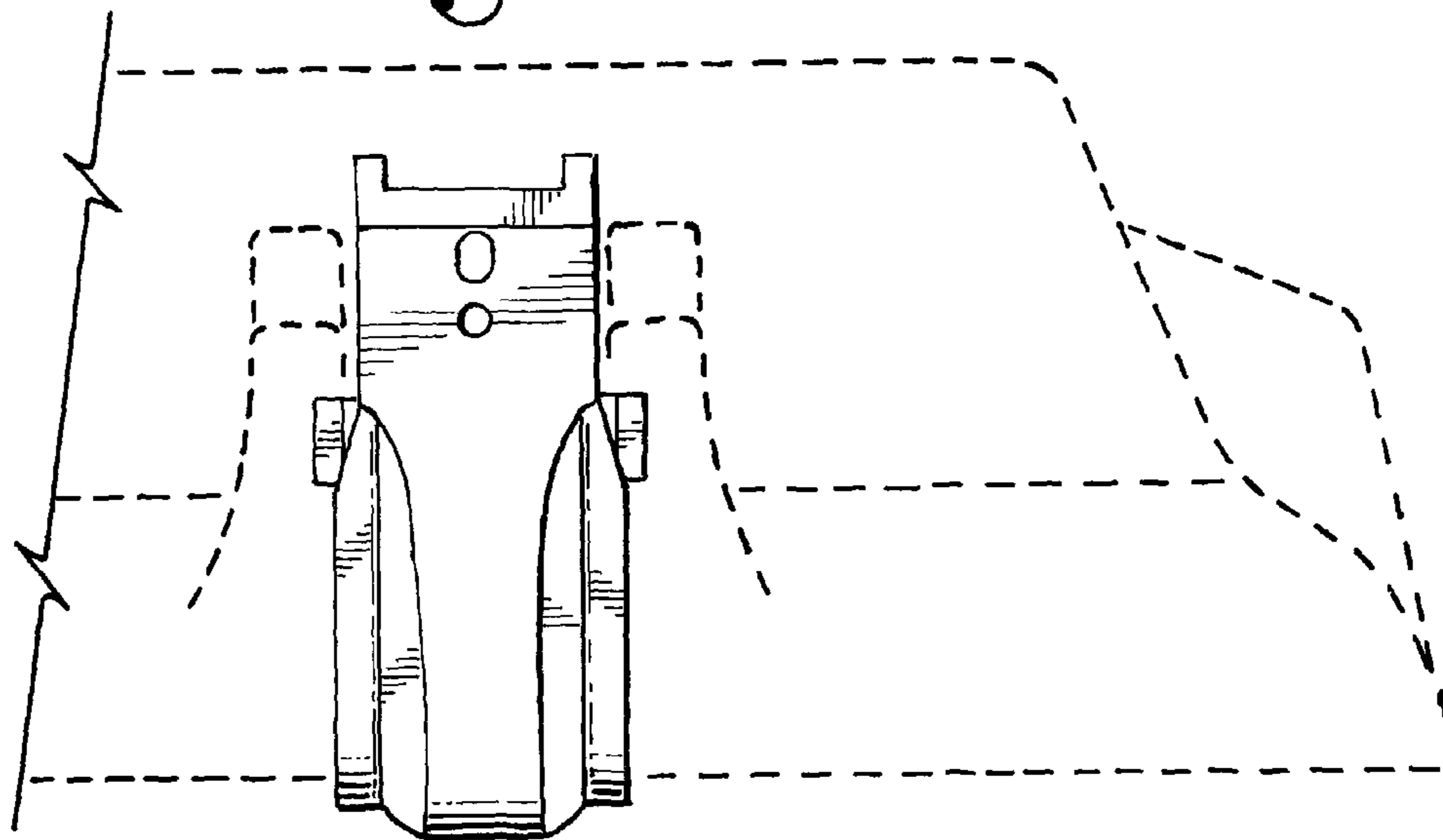


Fig. 3.

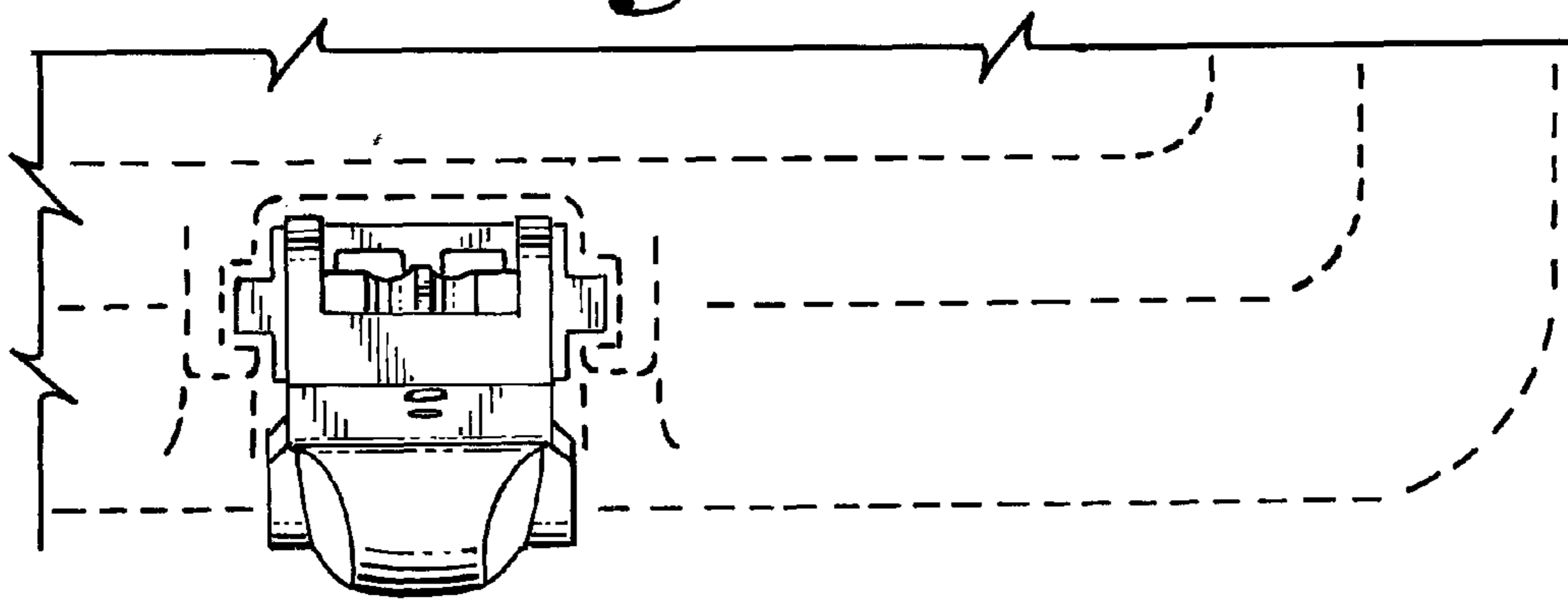


Fig. 4.

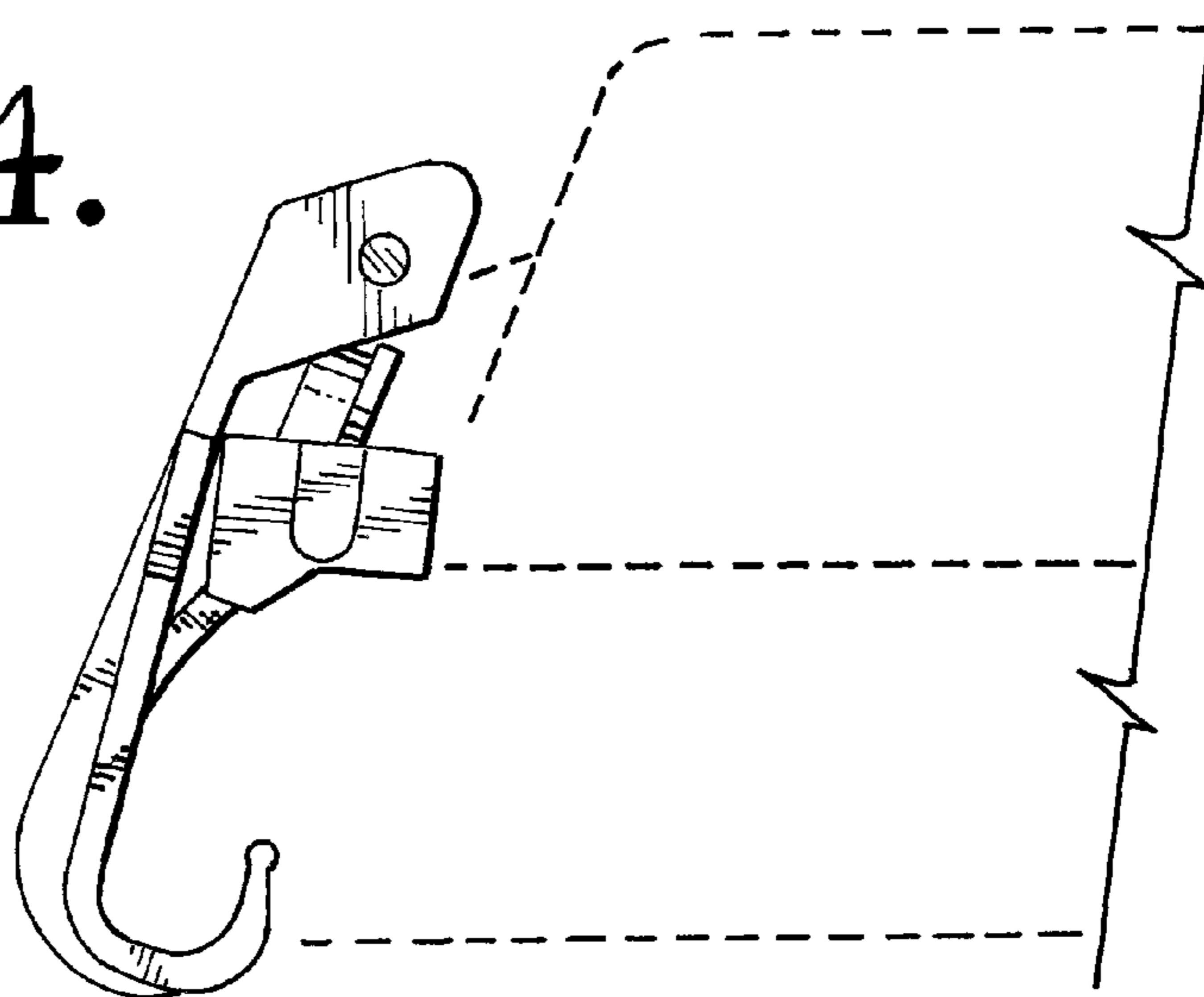


Fig. 5.

