



US00D703367S

(12) **United States Design Patent**
Tsao

(10) **Patent No.:** **US D703,367 S**
(45) **Date of Patent:** **** Apr. 22, 2014**

(54) **LED LIGHT**

(71) Applicant: **Wen Chung Tsao**, Taipei (CN)

(72) Inventor: **Wen Chung Tsao**, Taipei (CN)

(73) Assignee: **Caster Lighting Inc**, Taipei (TW)

(**) Term: **14 Years**

(21) Appl. No.: **29/446,288**

(22) Filed: **Feb. 21, 2013**

(30) **Foreign Application Priority Data**

Dec. 28, 2012 (CN) 2012 3 0659122

(51) **LOC (10) Cl.** **26-03**

(52) **U.S. Cl.**
USPC **D26/92**

(58) **Field of Classification Search**
USPC D26/71, 72, 85, 87, 92, 118; 362/147,
362/249.02–249.06, 294, 373, 432
See application file for complete search history.

(56) **References Cited**

U.S. PATENT DOCUMENTS

D229,090 S * 11/1973 Anderson, Jr. D26/85
4,595,971 A * 6/1986 Dean 362/345
D302,047 S * 7/1989 Flannery et al. D26/71

D394,516 S * 5/1998 Leen D26/71
D400,998 S * 11/1998 Leen D26/71
D407,843 S * 4/1999 Leen D26/71
D424,228 S * 5/2000 Grossman D26/71
D424,229 S * 5/2000 Leen D26/71
D570,034 S * 5/2008 Westerheide D26/118
D651,735 S * 1/2012 Dai D26/72
D666,351 S * 8/2012 Tsao D26/92
D690,454 S * 9/2013 Yu D26/92
8,579,469 B2 * 11/2013 Kong et al. 362/249.02
D694,941 S * 12/2013 Yu D26/87
D694,945 S * 12/2013 Yu D26/92
D694,946 S * 12/2013 Yu D26/92

* cited by examiner

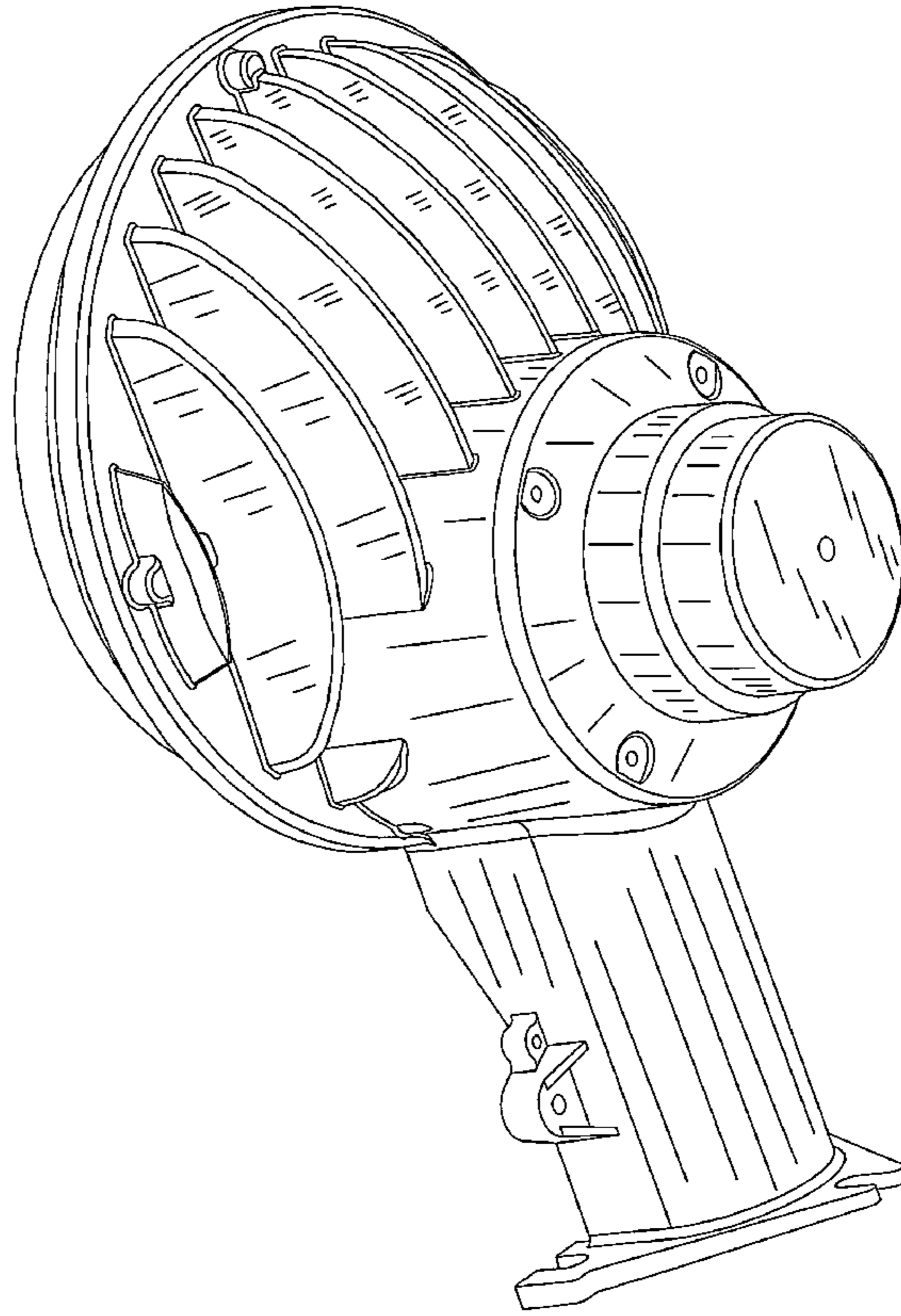
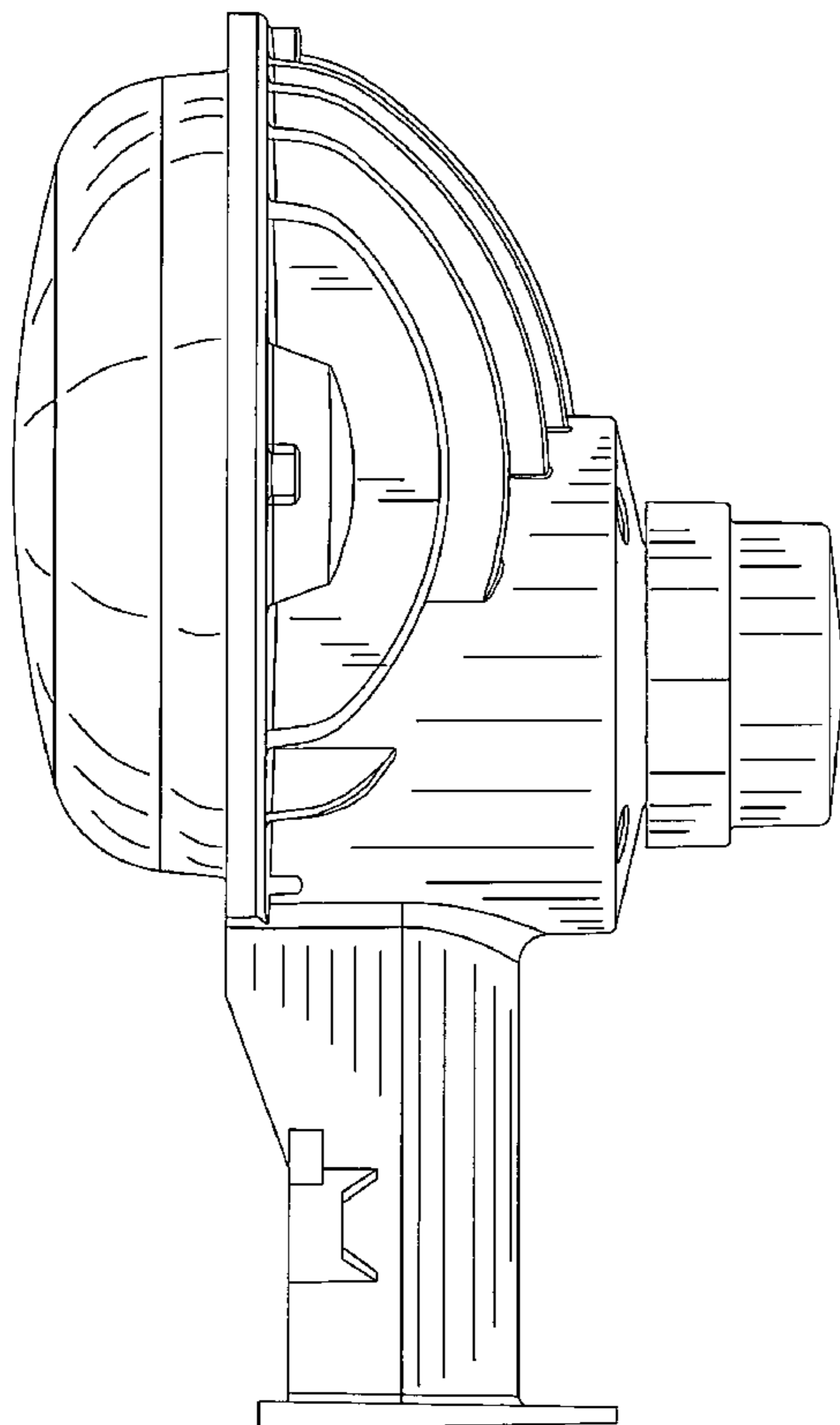
Primary Examiner — Clare E Heflin

(57) **CLAIM**
The ornamental design for an LED light, as shown.

DESCRIPTION

FIG. 1 is a front elevational view of an LED light showing my new design;
FIG. 2 is a rear elevational view thereof;
FIG. 3 is a left side view thereof;
FIG. 4 is a right side view thereof;
FIG. 5 is a top plan view thereof;
FIG. 6 is a bottom plan view thereof; and,
FIG. 7 is a perspective view thereof.

1 Claim, 7 Drawing Sheets



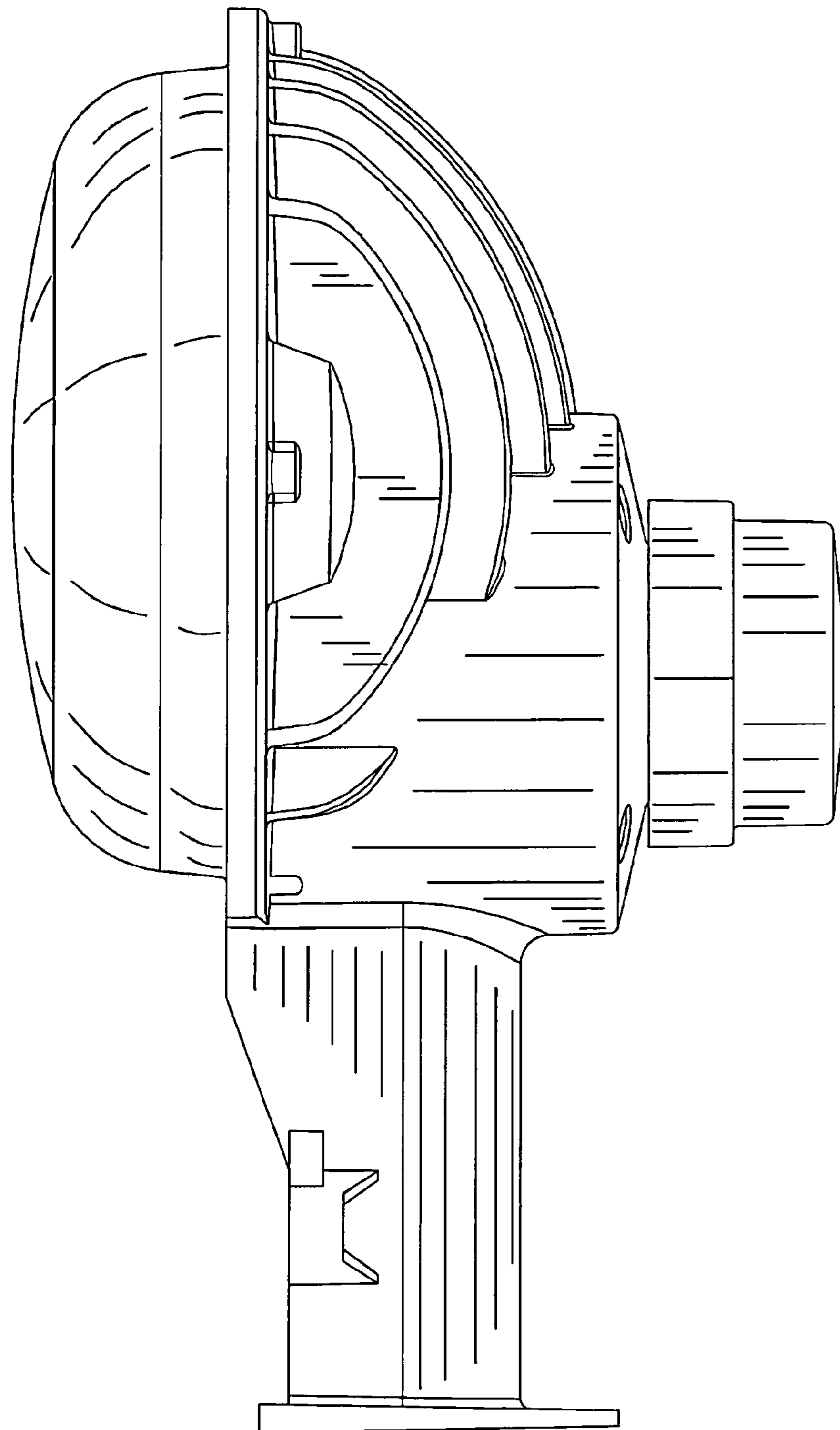


FIG. 1

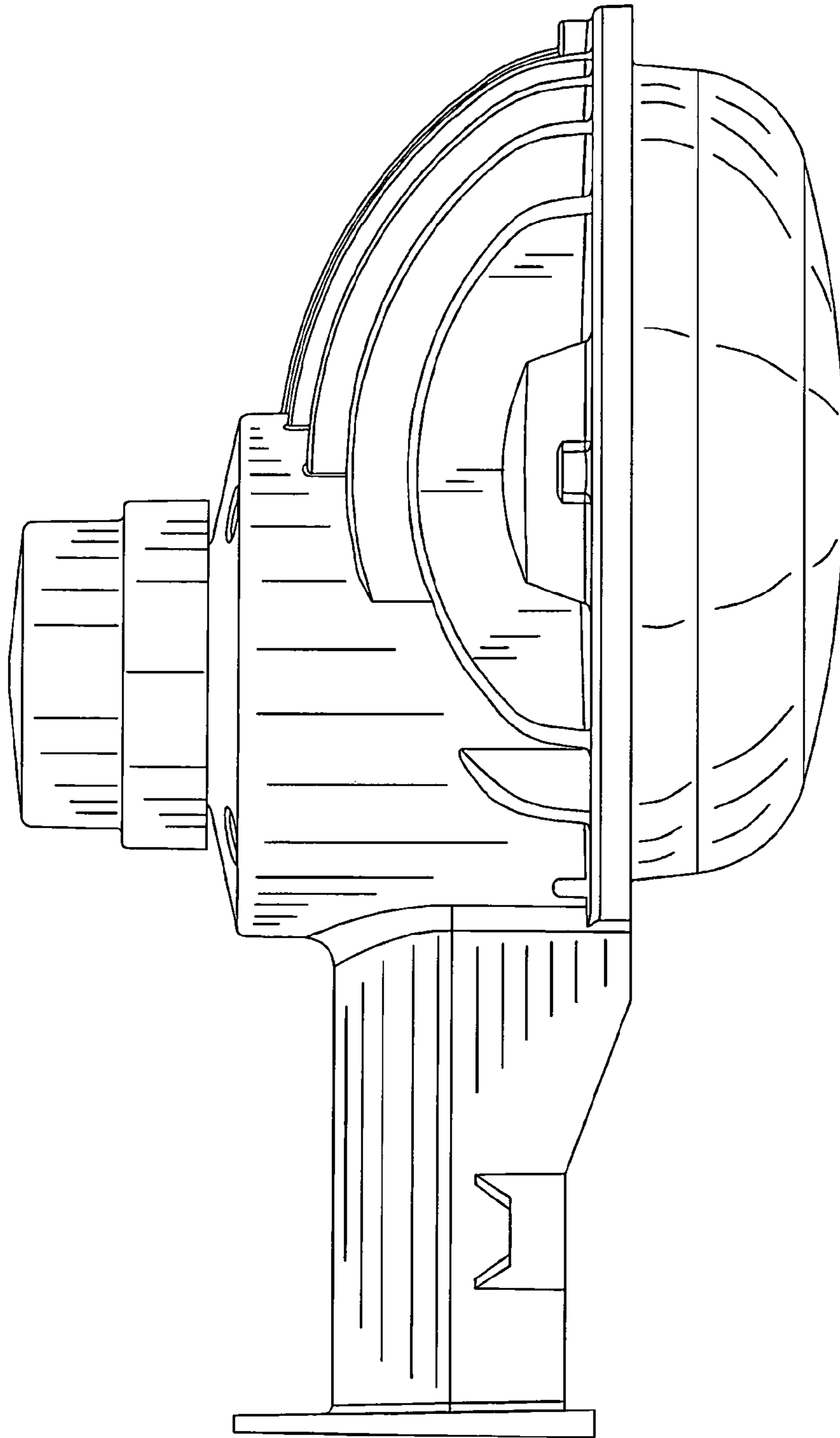


FIG. 2

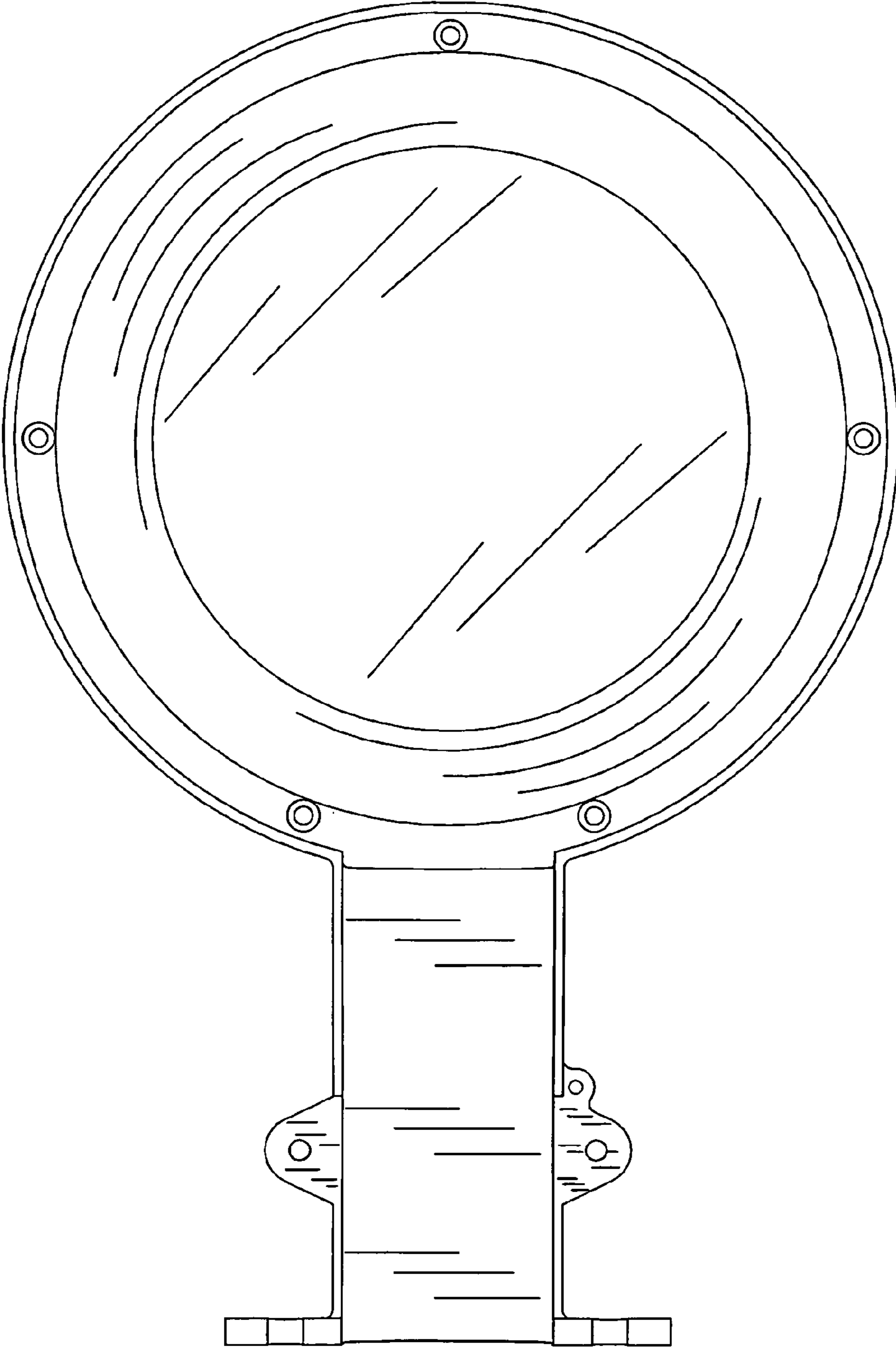


FIG. 3

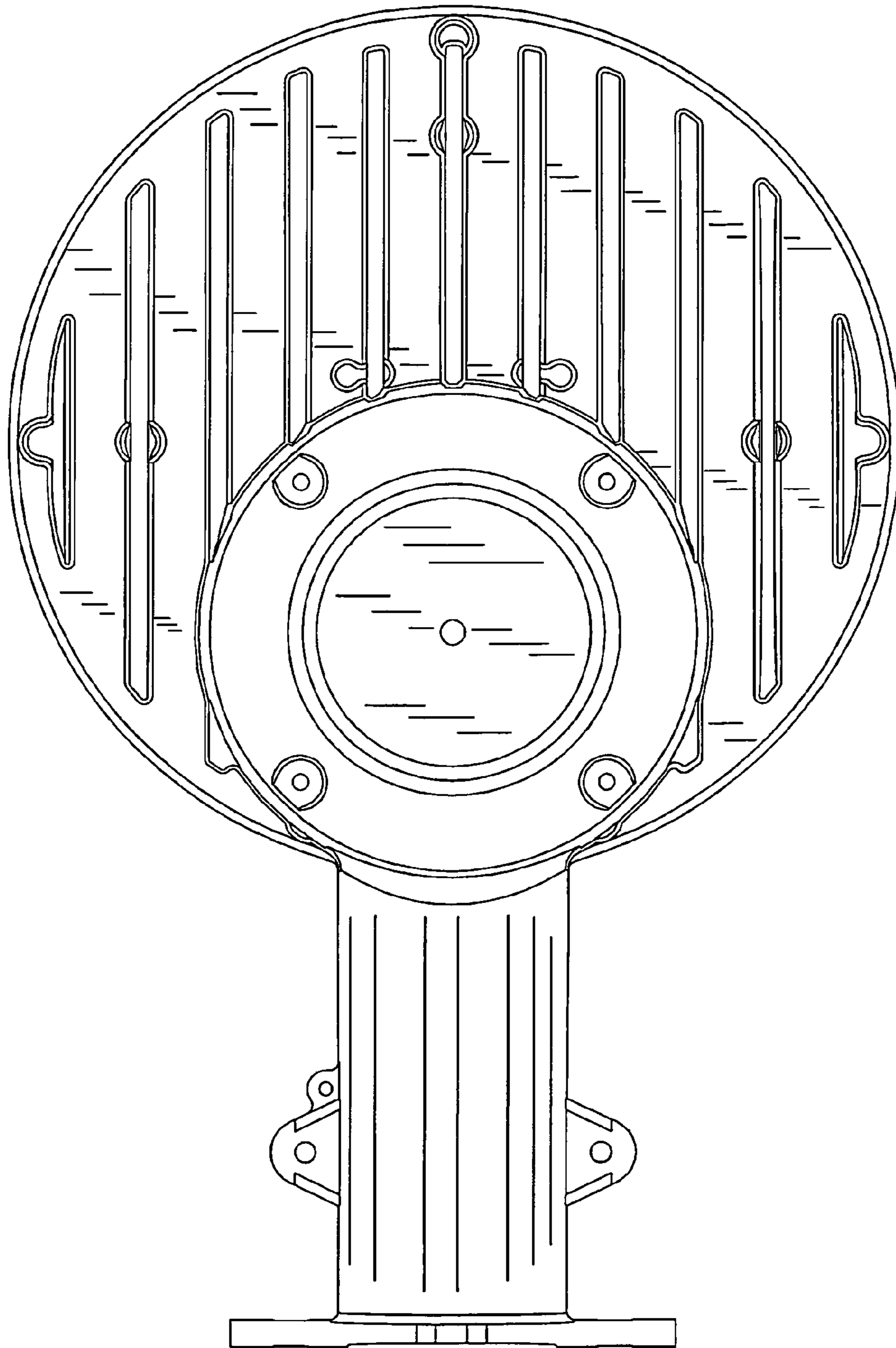


FIG. 4

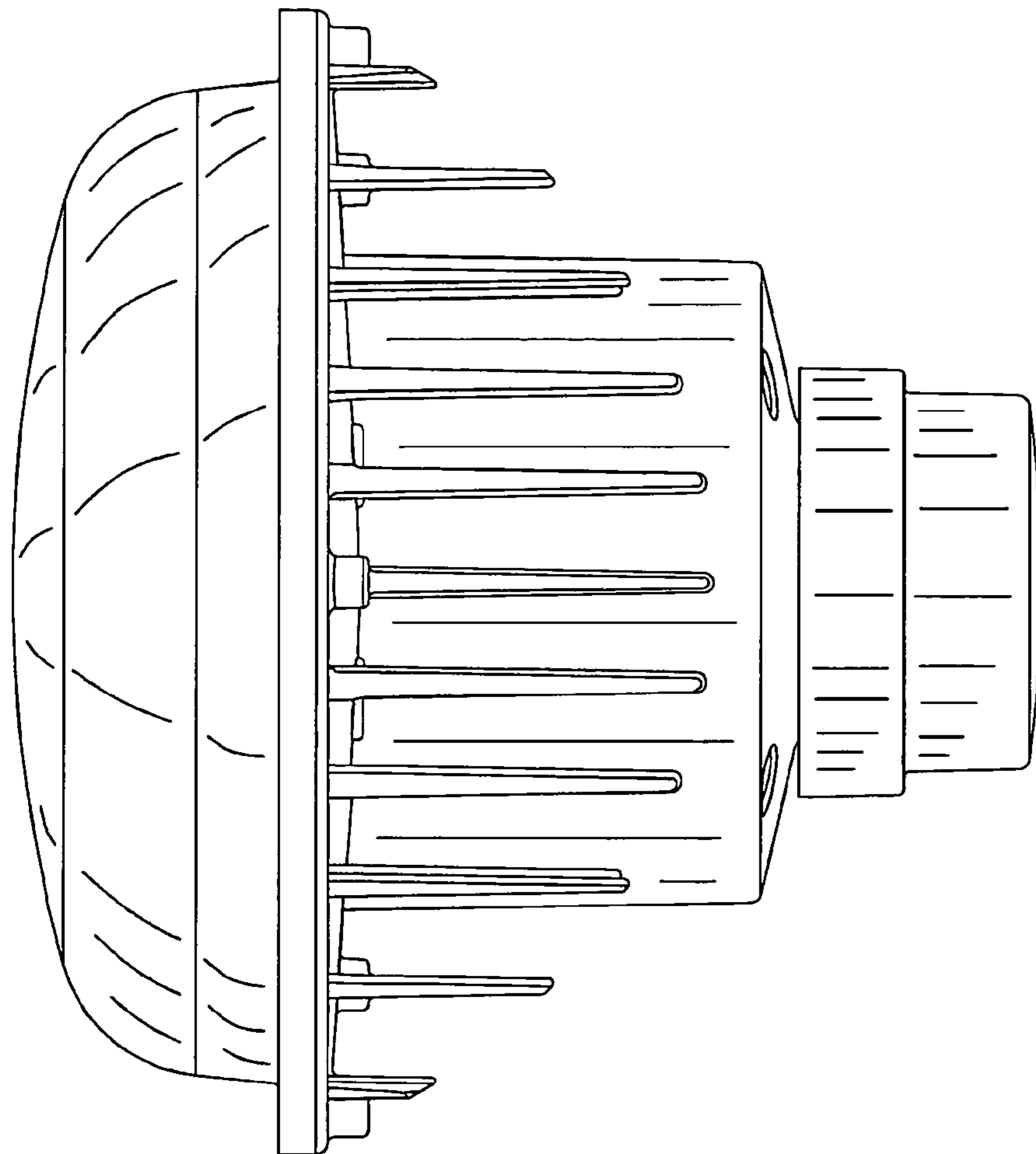


FIG. 5

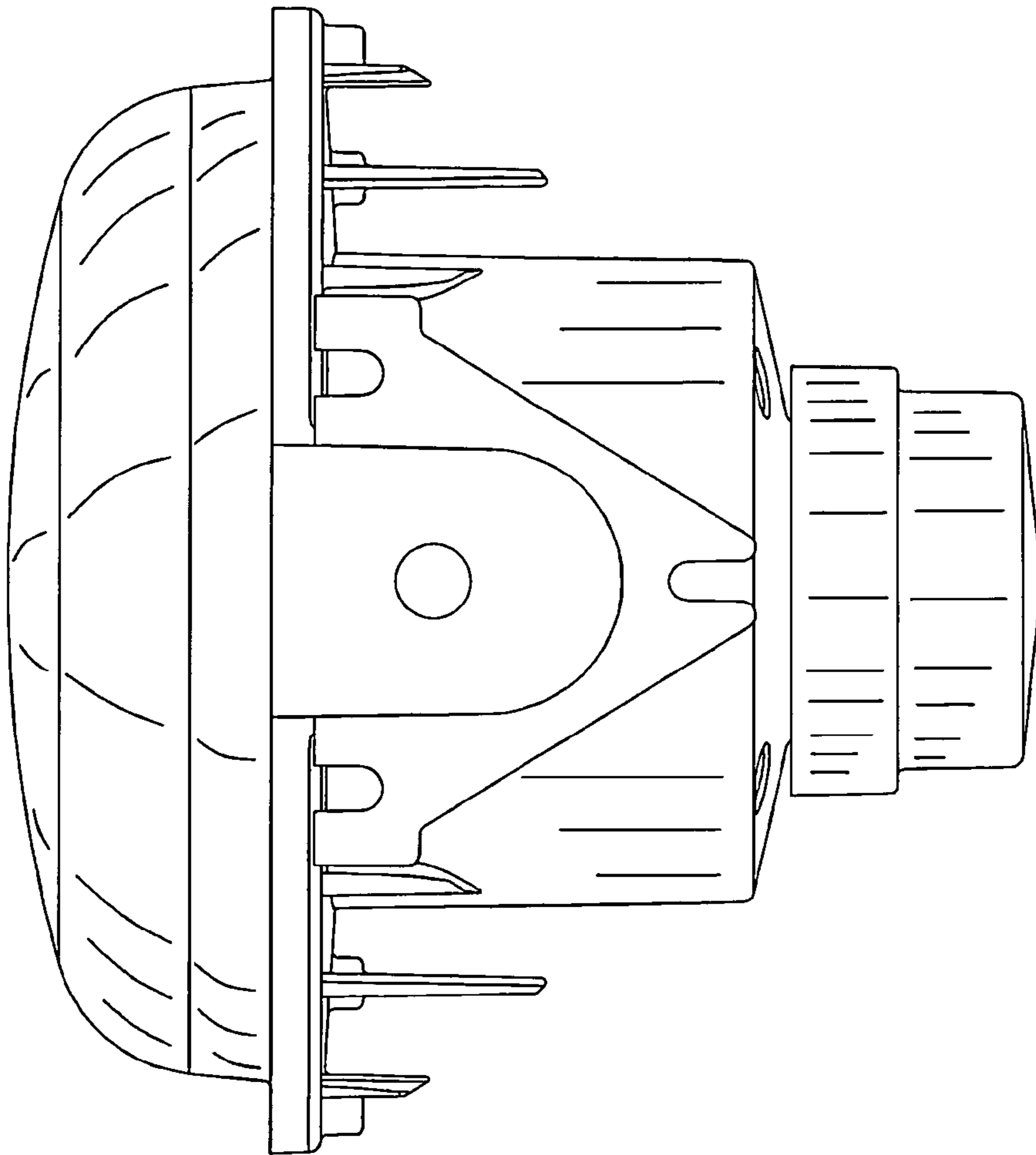


FIG. 6

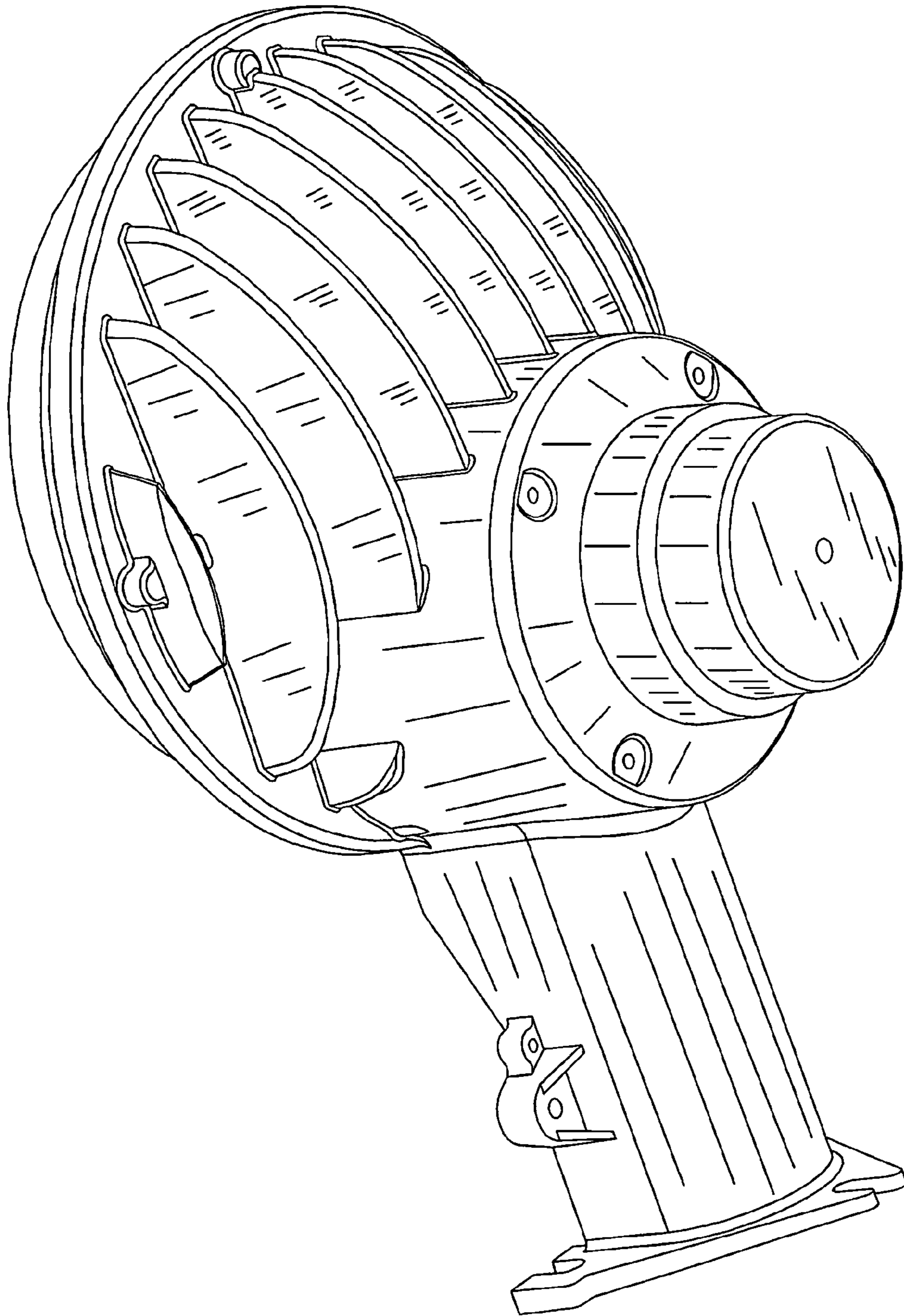


FIG. 7