



US00D703364S

(12) **United States Design Patent**
Meise et al.

(10) **Patent No.:** **US D703,364 S**

(45) **Date of Patent:** **** *Apr. 22, 2014**

(54) **LIGHT**

(76) Inventors: **Axel Meise**, Munich (DE); **Christoph Kuegler**, Munich (DE)

(*) Notice: This patent is subject to a terminal disclaimer.

(**) Term: **14 Years**

(21) Appl. No.: **29/426,977**

(22) Filed: **Jul. 12, 2012**

(30) **Foreign Application Priority Data**

Jan. 12, 2012 (EM) 001974478-0001

(51) **LOC (10) Cl.** **26-03**

(52) **U.S. Cl.**
USPC **D26/87**

(58) **Field of Classification Search**
USPC D26/61, 63, 72, 80, 84-92, 107, 118;
362/147, 373, 404-408, 431, 432
See application file for complete search history.

(56) **References Cited**

U.S. PATENT DOCUMENTS

D92,229 S *	5/1934	Cannon	D26/63
D94,409 S *	1/1935	Chapman	D26/107
D102,438 S *	12/1936	Montmartin	D26/88
D111,886 S *	10/1938	Zagel	D26/60
D118,671 S *	1/1940	Mielziner	D26/63
D125,312 S *	2/1941	Logan	D26/88
D127,833 S *	6/1941	Price	D26/63
D128,967 S *	8/1941	Peterson	D26/63
D134,595 S *	12/1942	van Es	D26/63

D161,708 S *	1/1951	Rahn	D26/63
D164,379 S *	8/1951	Michie	D26/107
D170,016 S *	7/1953	Foss	D26/107
D187,814 S *	5/1960	Thurston	D26/107
D231,679 S *	5/1974	Keller	D26/87
D285,978 S *	9/1986	Rice	D26/107
D291,363 S *	8/1987	Schmidt	D26/87
D350,621 S *	9/1994	Yuen	D26/87
D395,715 S *	6/1998	Queen	D26/72
D402,389 S *	12/1998	Norman et al.	D26/87
D407,518 S *	3/1999	Yeh	D26/63
D434,514 S *	11/2000	Wachter	D26/63
D588,296 S *	3/2009	Sabernig	D26/87
D588,735 S *	3/2009	Woodard	D26/61
D615,693 S *	5/2010	Thun	D26/88
D643,957 S *	8/2011	Verelst et al.	D26/65
D645,186 S *	9/2011	Sabernig	D26/63

* cited by examiner

Primary Examiner — Clare E Heflin

(74) *Attorney, Agent, or Firm* — 24IP Law Group; Timothy R DeWitt

(57) **CLAIM**

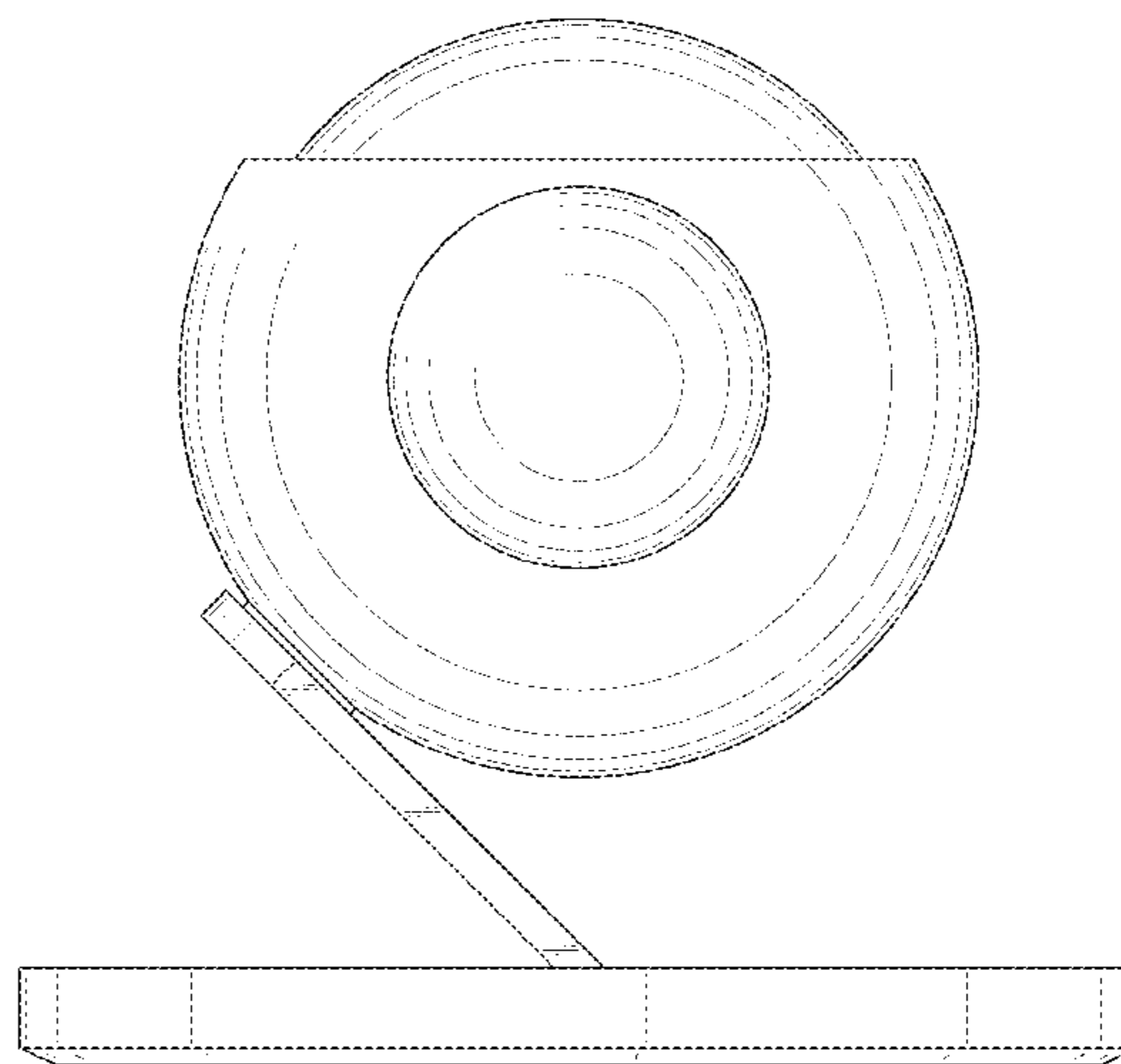
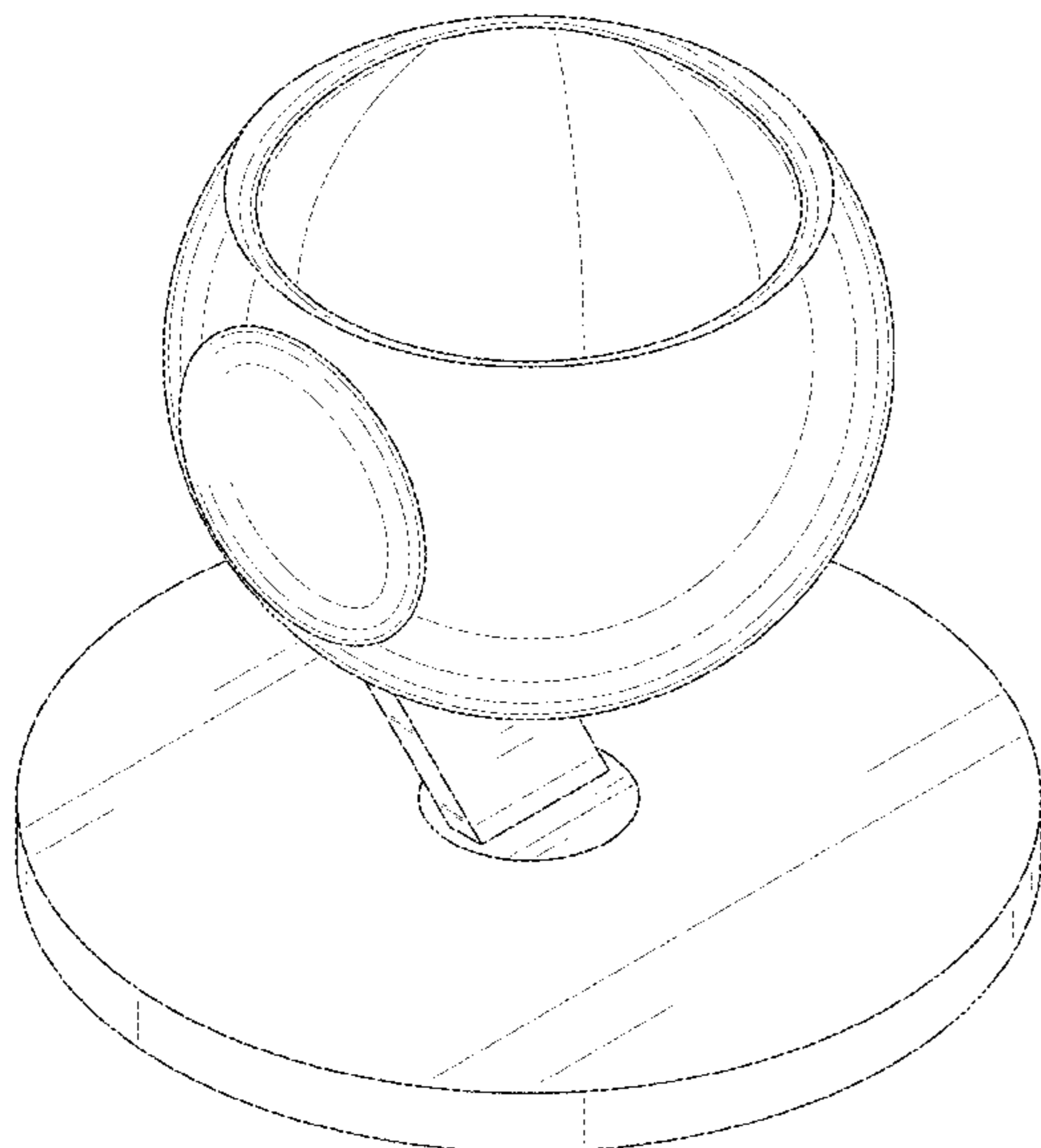
The ornamental design for a light, as shown and described.

DESCRIPTION

FIG. 1 is a perspective view of a light showing my new design; FIG. 2 is a left side view of the light shown in FIG. 1; FIG. 3 is a bottom view of the light shown in FIG. 1; FIG. 4 is a front view of the light shown in FIG. 1; FIG. 5 is a right side view of the light shown in FIG. 1; FIG. 6 is a back view of the light shown in FIG. 1; and, FIG. 7 is a top view of the light shown in FIG. 1.

The broken lines shown on the drawings depict portions of the light that form no part of the claimed design.

1 Claim, 7 Drawing Sheets



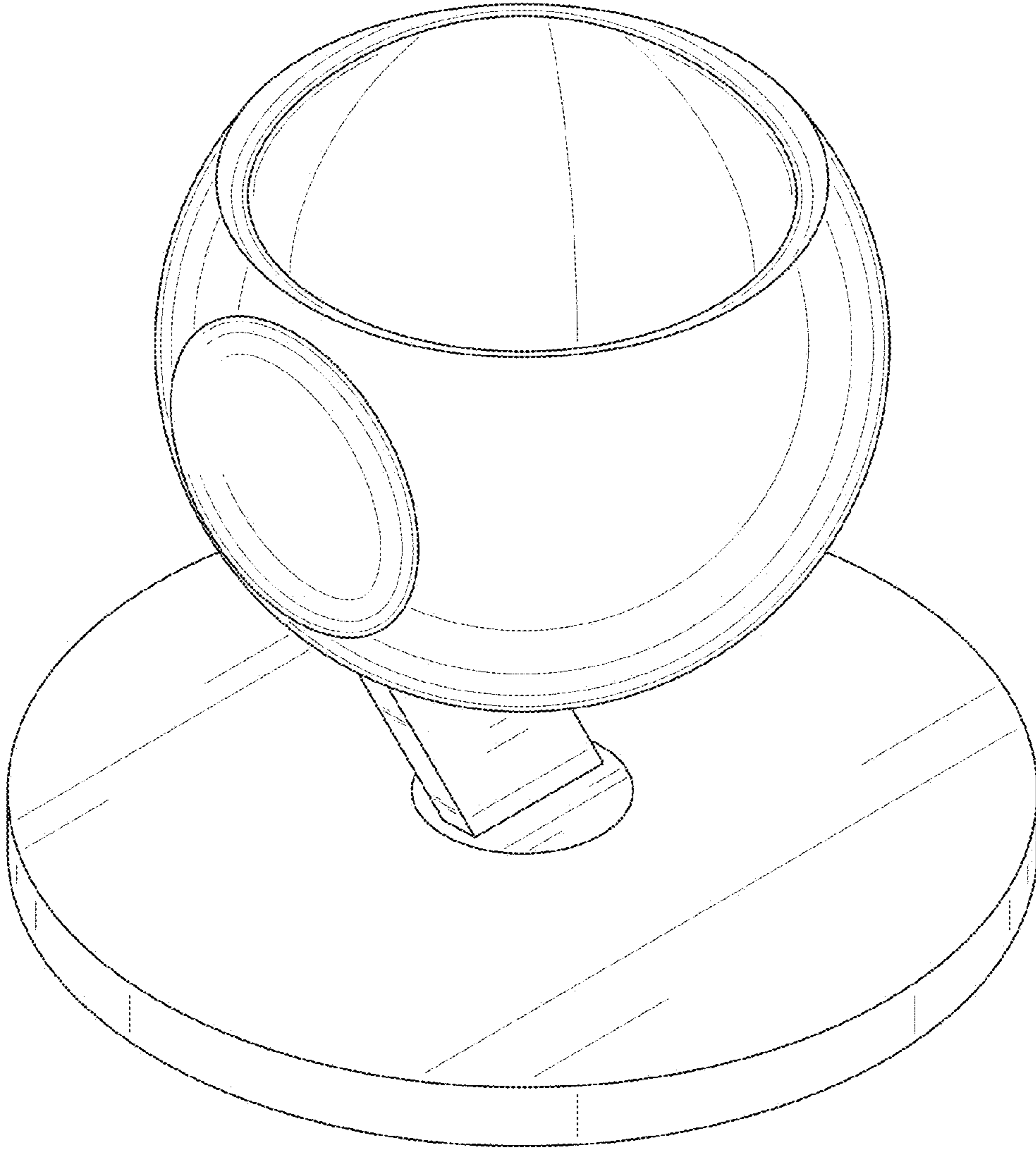


FIG. 1

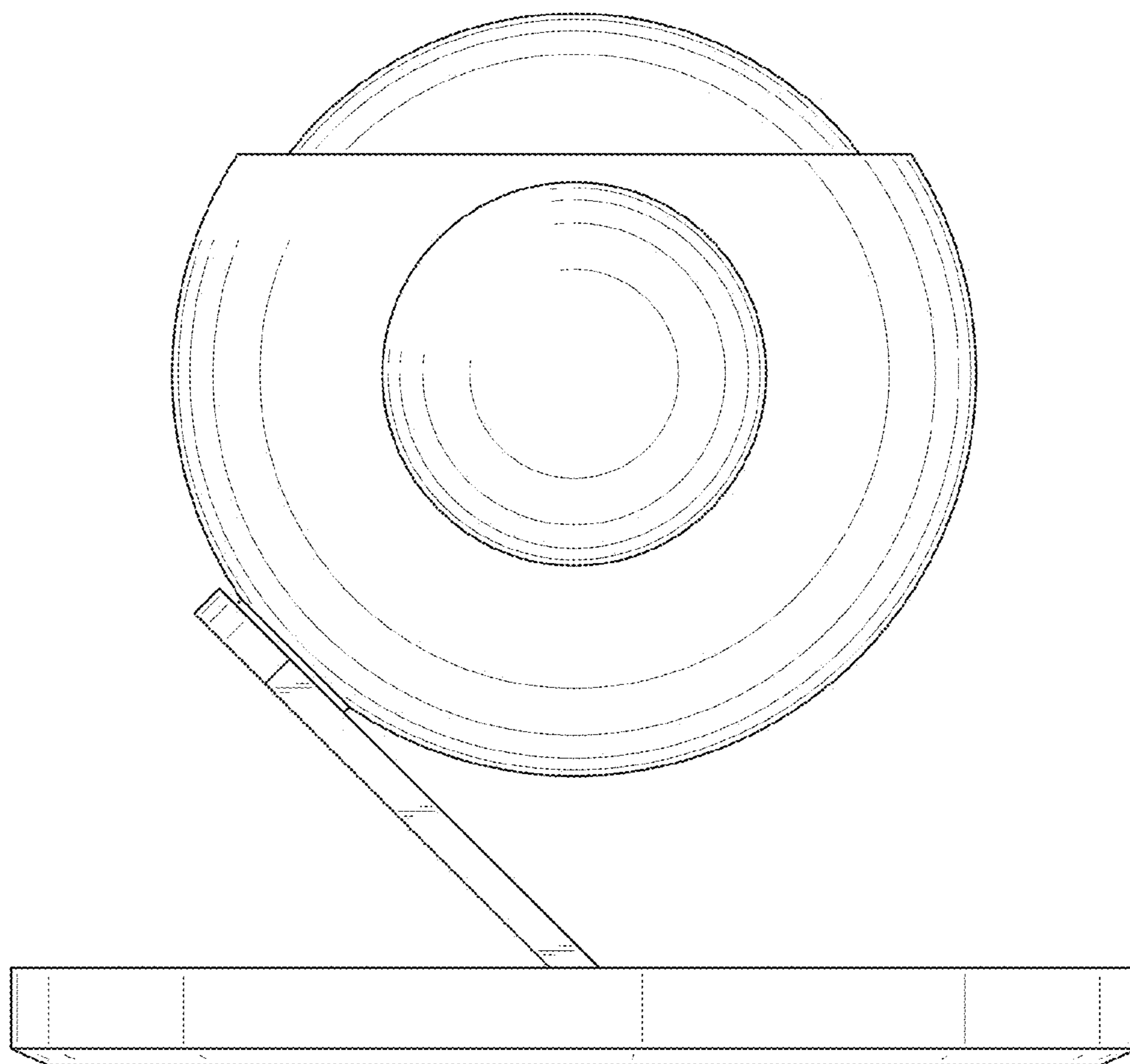


FIG. 2

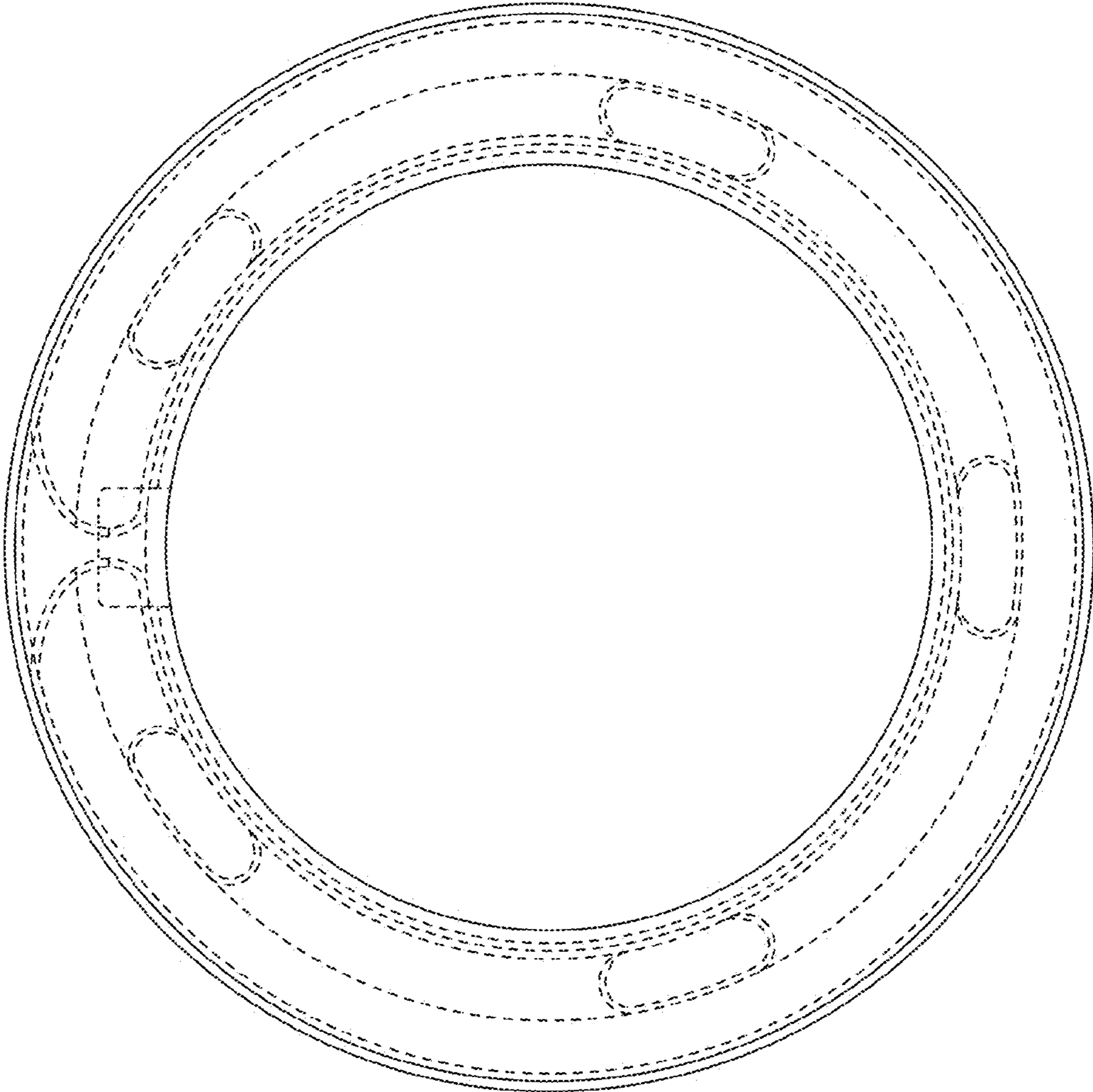


FIG. 3

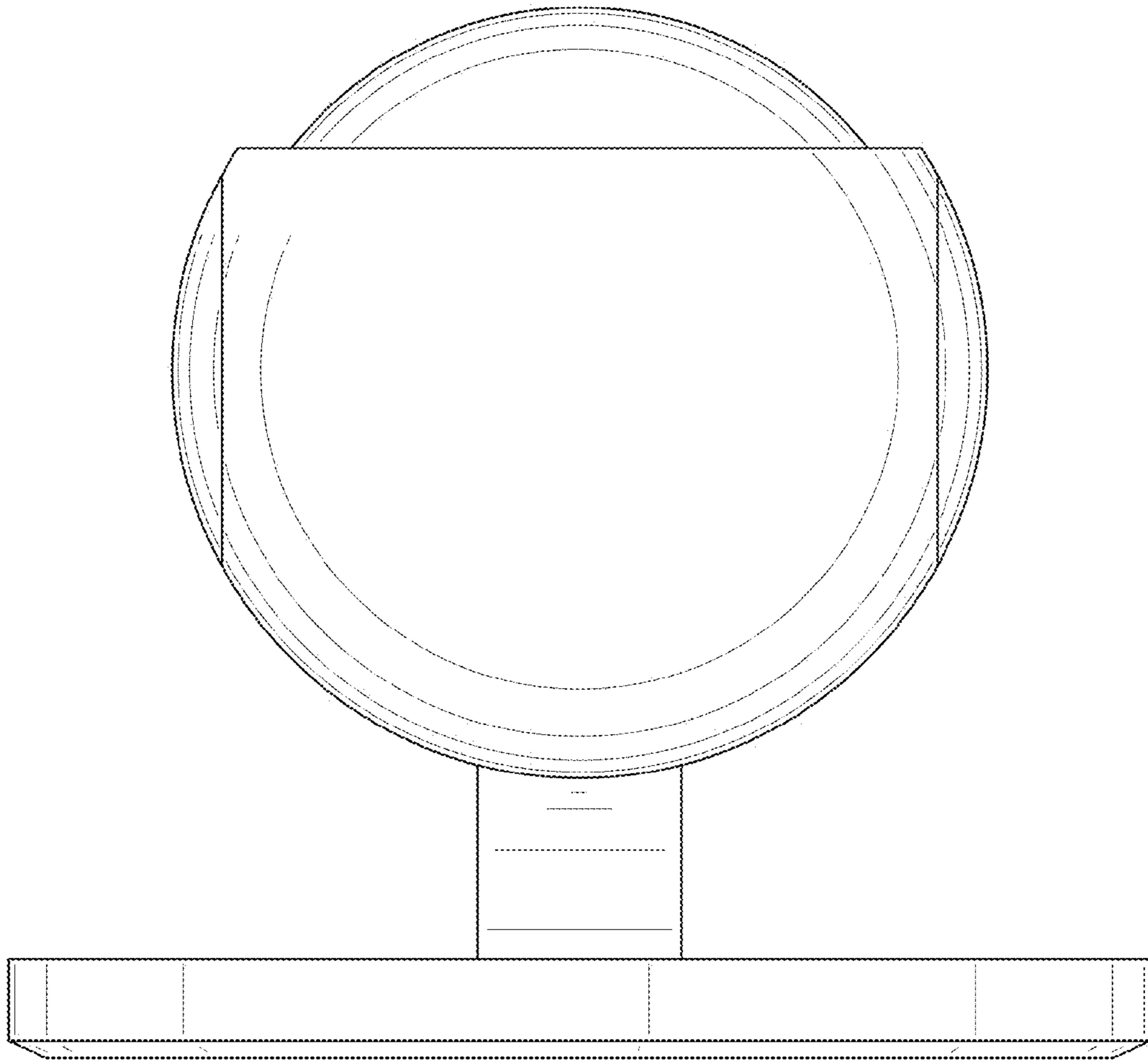


FIG. 4

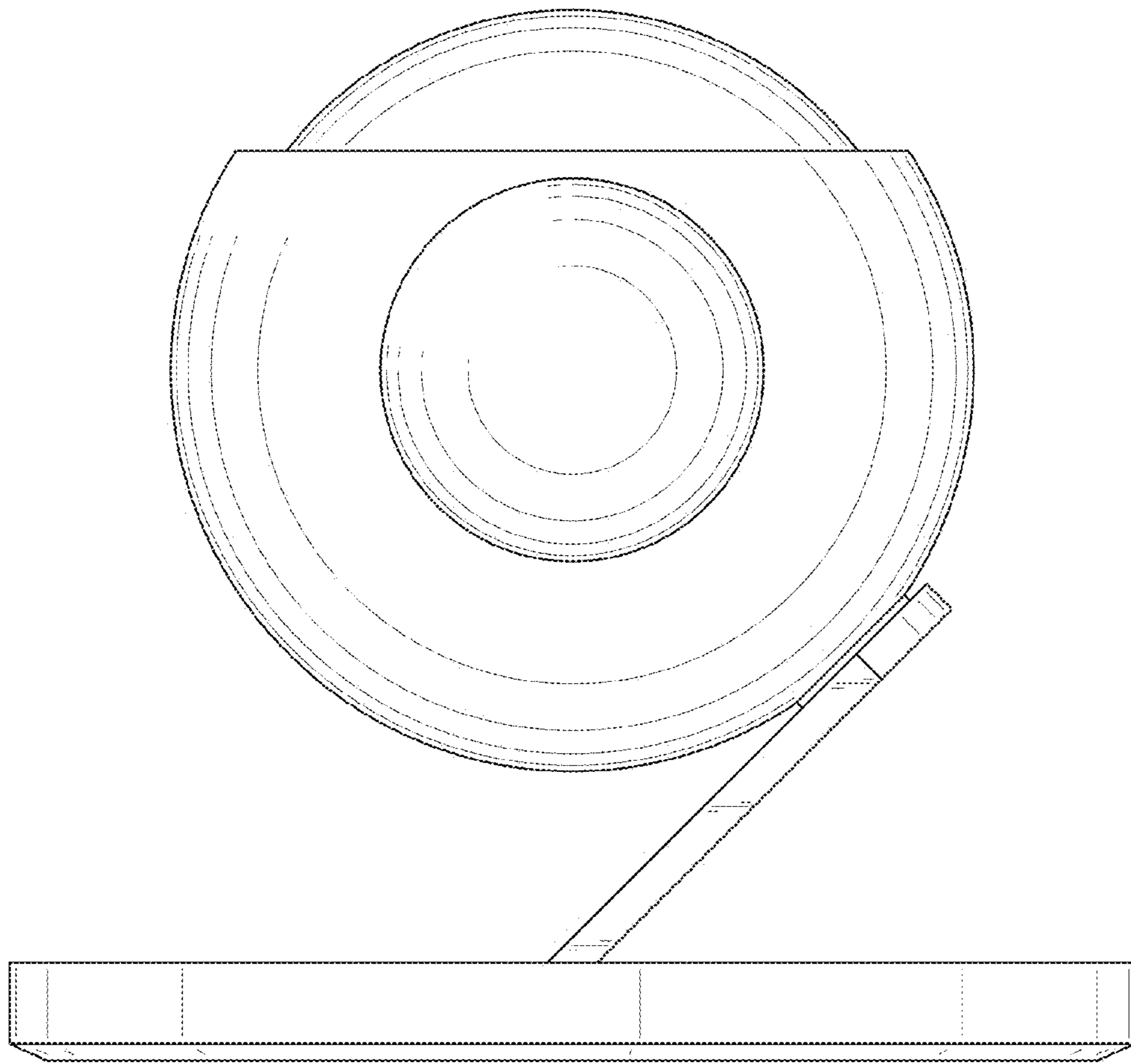


FIG. 5

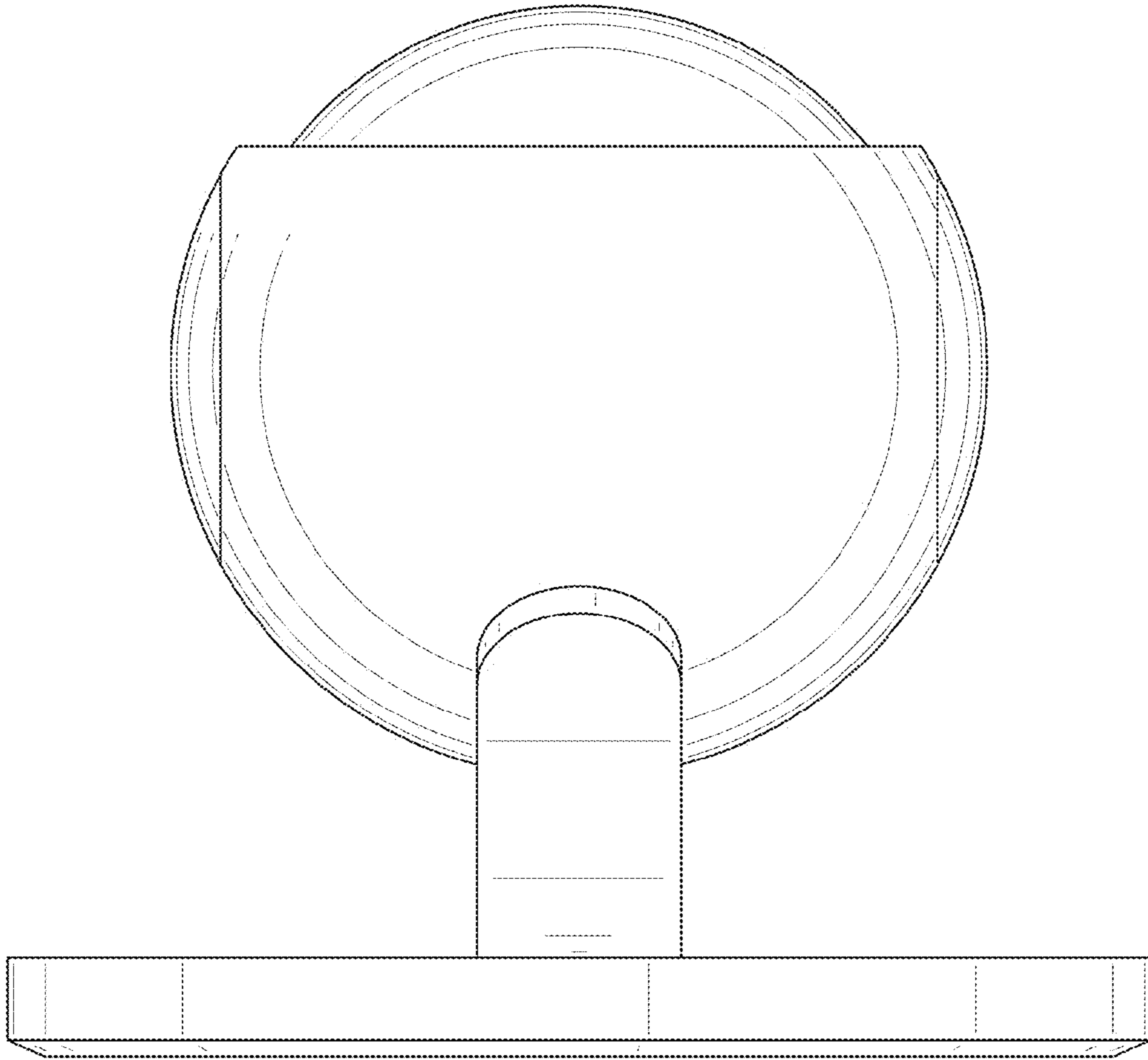


FIG. 6

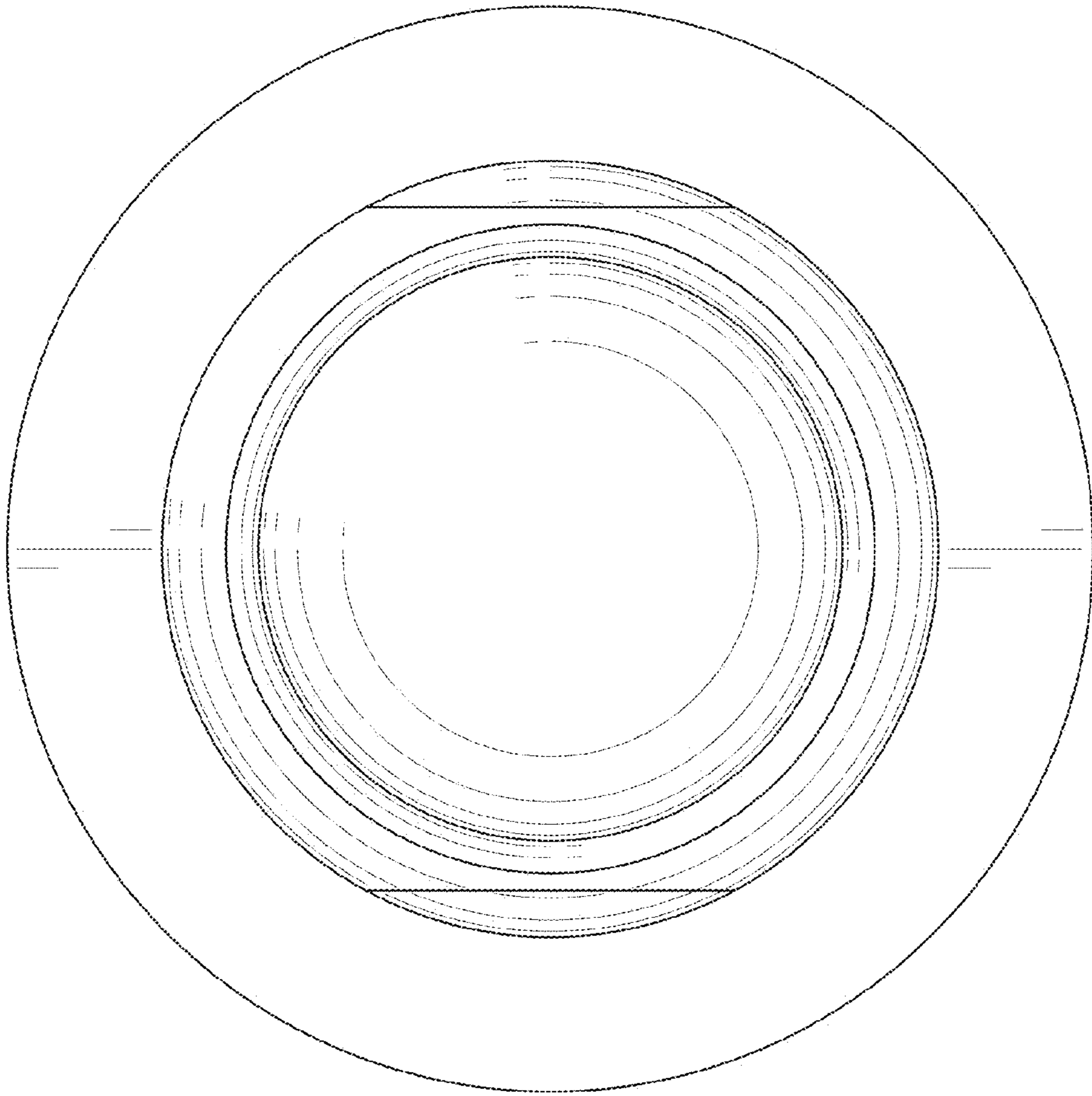


FIG. 7