



US00D703362S

(12) **United States Design Patent**
Sabernig

(10) **Patent No.:** **US D703,362 S**

(45) **Date of Patent:** **** Apr. 22, 2014**

(54) **LIGHT FIXTURE**

(71) Applicant: **Eglo Leuchten GmbH, Pill (AT)**

(72) Inventor: **Robert Sabernig, Munster (AT)**

(73) Assignee: **Eglo Leuchten GmbH (AT)**

(**) Term: **14 Years**

(21) Appl. No.: **29/448,826**

(22) Filed: **Mar. 14, 2013**

(51) **LOC (10) Cl.** **26-03**

(52) **U.S. Cl.**

USPC **D26/86; D26/89; D26/63**

(58) **Field of Classification Search**

USPC D26/61, 63, 65, 80-91, 107, 118, 128,
D26/135; 362/147, 404-408, 431, 432, 648

See application file for complete search history.

D620,167 S *	7/2010	Sabernig	D26/63
D620,168 S *	7/2010	Sabernig	D26/63
D620,182 S *	7/2010	Sabernig	D26/88
D622,884 S *	8/2010	Sabernig	D26/63
D645,597 S *	9/2011	Sabernig	D26/65

OTHER PUBLICATIONS

“Glimt” pendant; “Cesium”, “Basisk” and “Leding” ceiling lamps/
all shown on p. 311 of the 2008 Ikea Catalog.*

* cited by examiner

Primary Examiner — Clare E Heflin

(74) *Attorney, Agent, or Firm* — Baker & McKenzie LLP

(57) **CLAIM**

The ornamental design for a light fixture, as shown and
described.

DESCRIPTION

FIG. 1 is a perspective view of a light fixture in accordance
with my design;

FIG. 2 is a left-side elevation view of the light fixture in
accordance with my design;

FIG. 3 is a right-side view of the light fixture in accordance
with my design;

FIG. 4 is a bottom plan view of the light fixture in accordance
with my design; and,

FIG. 5 is a front elevation view of the light fixture in accor-
dance with my design.

The portions of the light fixture shown broken away in FIGS.
1 and 4-5 are to depict non-specific length.

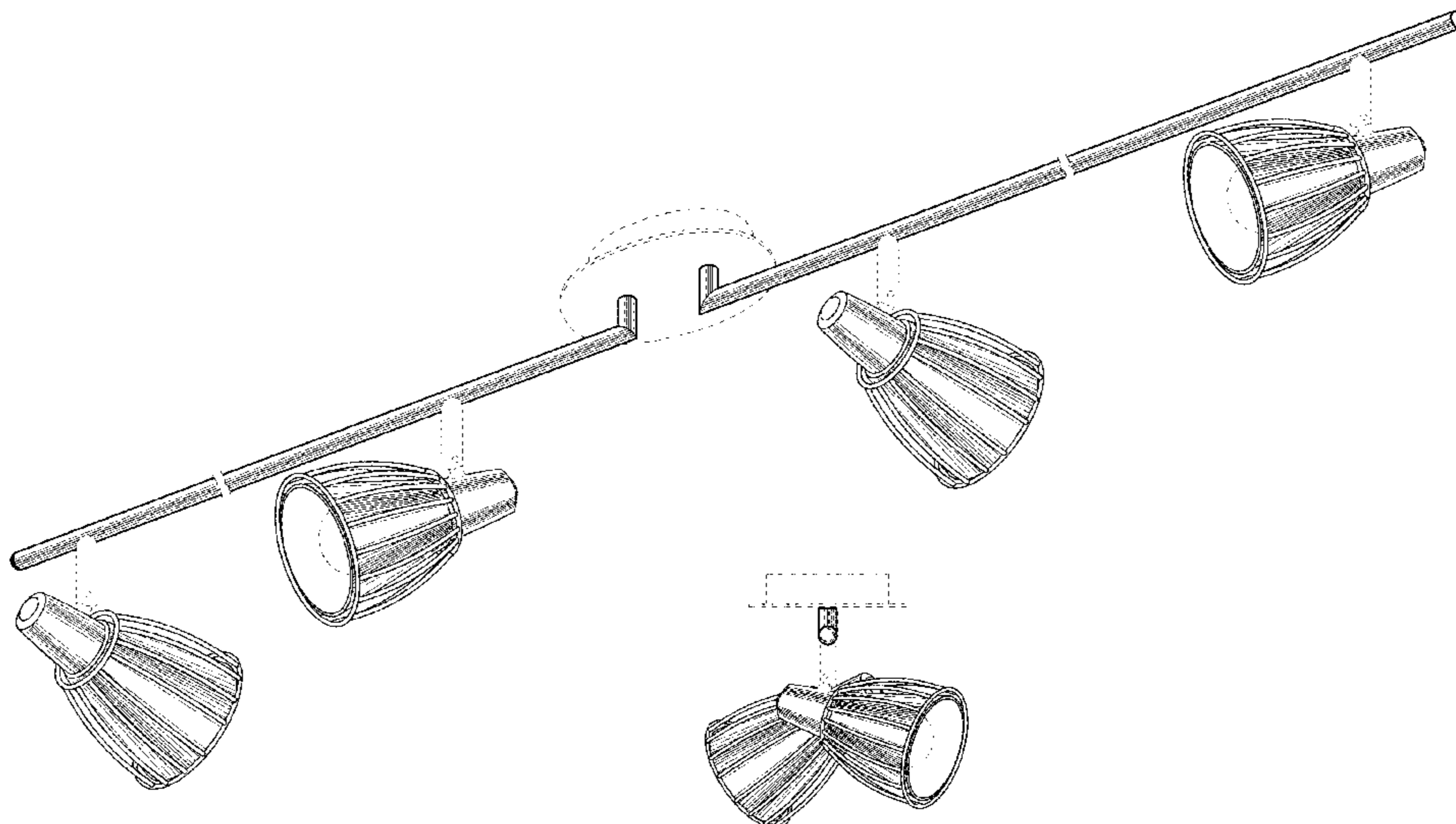
The broken-line disclosure of elements is understood to rep-
resent portions of the article in which the design is embodied,
but which form no part of the claimed design.

1 Claim, 2 Drawing Sheets

(56) **References Cited**

U.S. PATENT DOCUMENTS

D36,593 S *	10/1903	Willard	D26/83
D149,124 S *	3/1948	Hewitt	D26/63
D158,208 S *	4/1950	Lundquist	D26/63
D212,968 S *	12/1968	Schwartz	D26/63
D261,180 S *	10/1981	Lagin	D26/66
D464,758 S *	10/2002	Lee	D26/80
D514,730 S *	2/2006	Lo	D26/87
D542,456 S *	5/2007	Swanson	D26/65
7,334,921 B1 *	2/2008	Simnor	362/427
D563,580 S *	3/2008	Prazoff	D26/61
D589,190 S *	3/2009	Sabernig	D26/63
D589,193 S *	3/2009	Sabernig	D26/63
D589,637 S *	3/2009	Sabernig	D26/63
D590,980 S *	4/2009	Sabernig	D26/63
D590,981 S *	4/2009	Sabernig	D26/63
D611,636 S *	3/2010	Sabernig	D26/63
D620,166 S *	7/2010	Sabernig	D26/63



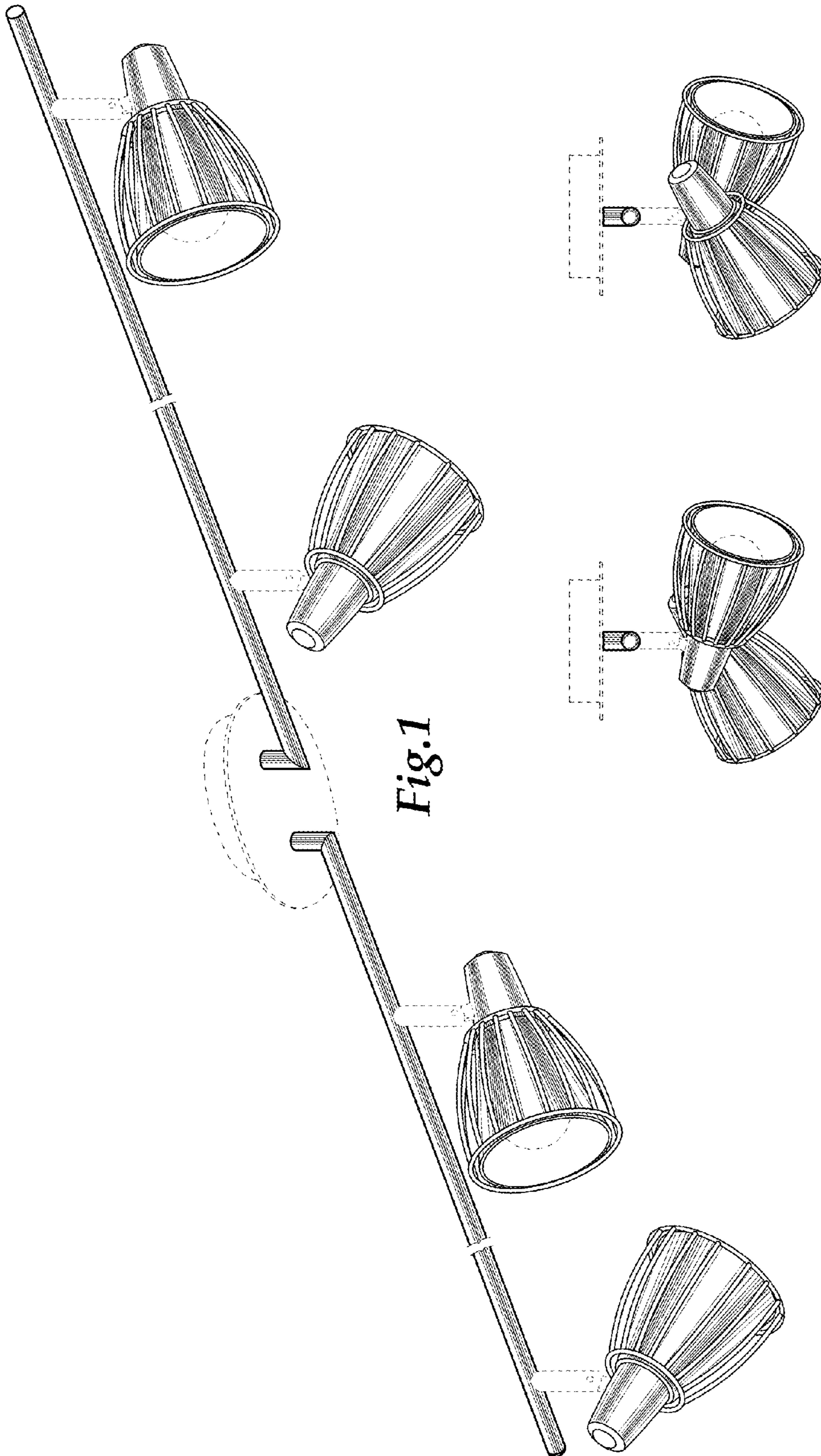


Fig.1

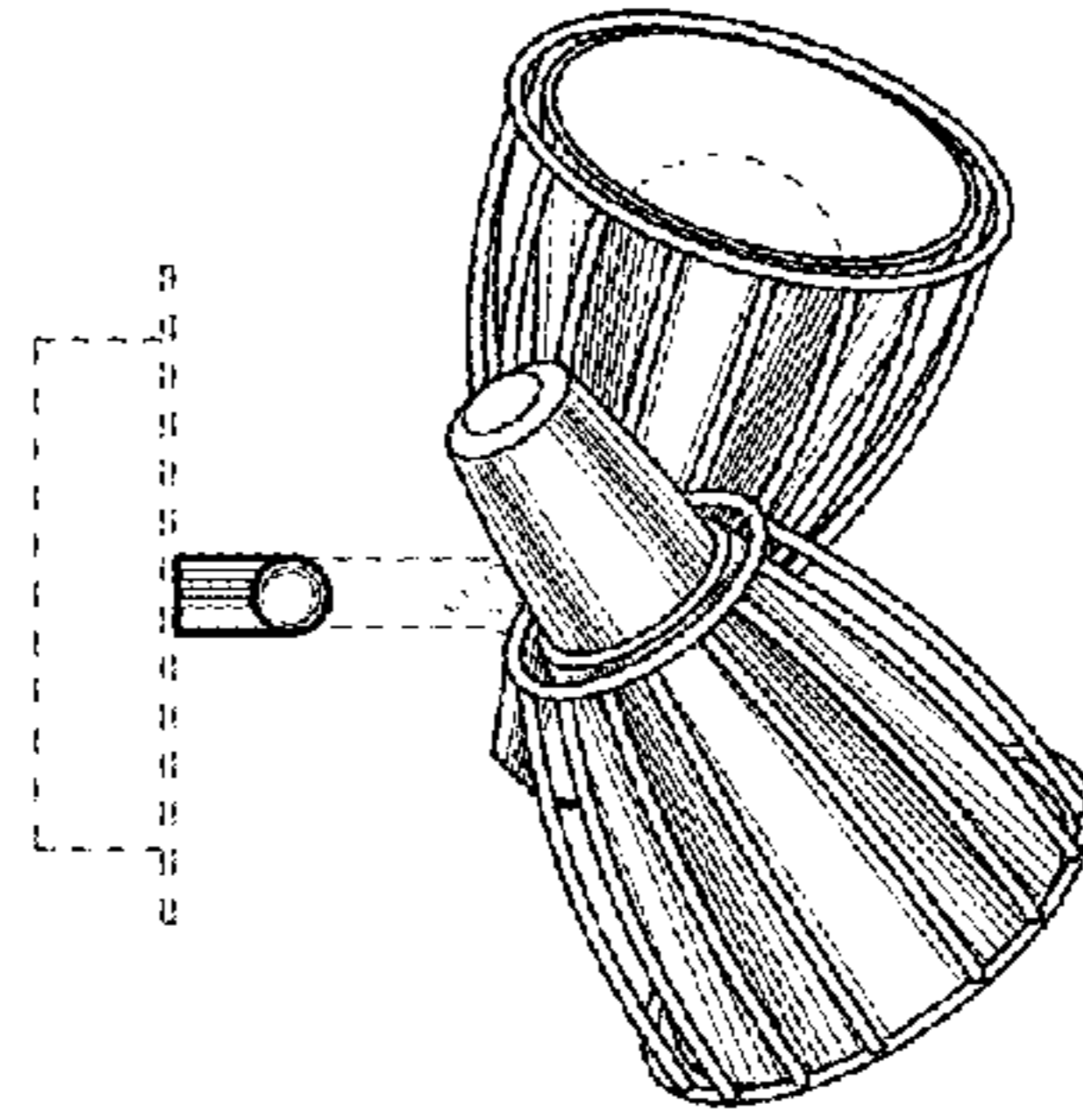


Fig.3

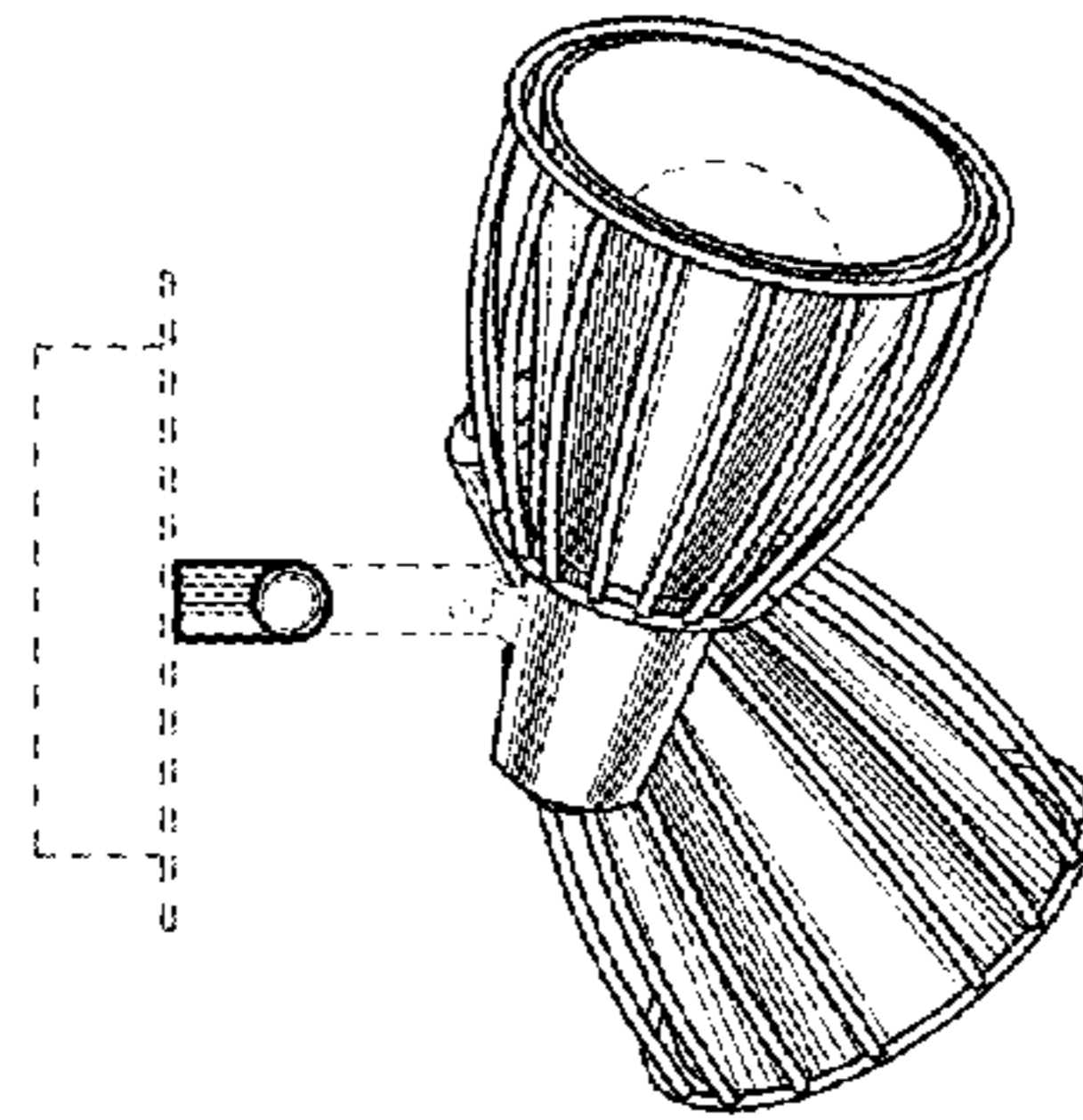


Fig.2

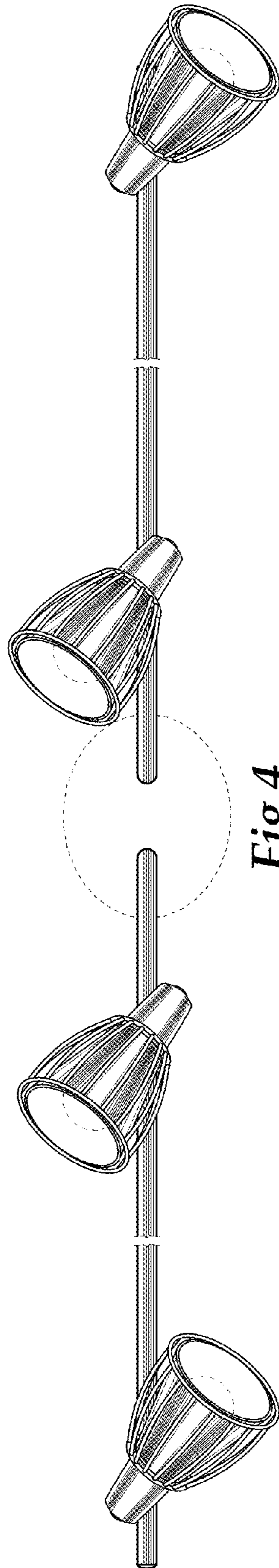


Fig. 4

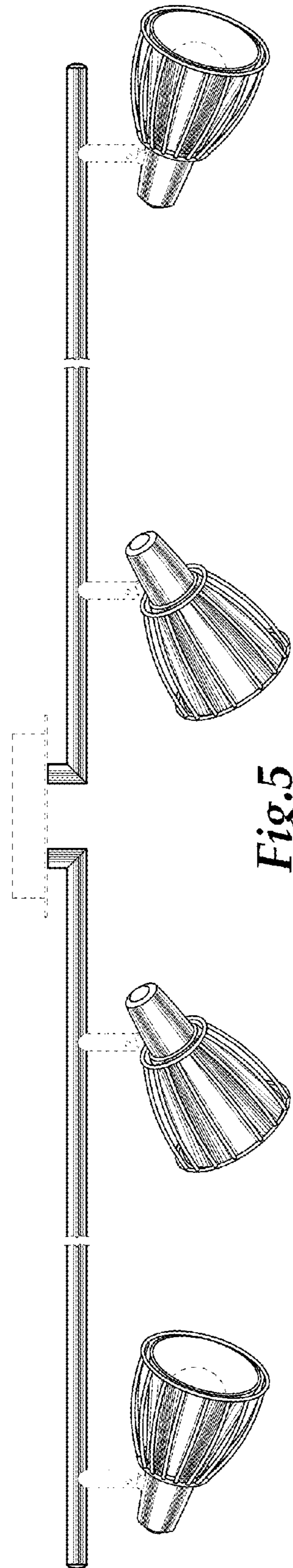


Fig. 5