



US00D703361S

(12) **United States Design Patent**
Kondou et al.

(10) **Patent No.:** **US D703,361 S**
(45) **Date of Patent:** **** Apr. 22, 2014**

- (54) **LUMINAIRE**
- (71) Applicant: **Sharp Kabushiki Kaisha**, Osaka (JP)
- (72) Inventors: **Yasuo Kondou**, Tokyo (JP); **Sachie Miyazaki**, Tokyo (JP)
- (73) Assignee: **Sharp Kabushiki Kaisha**, Osaka-shi, Osaka (JP)
- (**) Term: **14 Years**
- (21) Appl. No.: **29/443,519**
- (22) Filed: **Jan. 18, 2013**
- (30) **Foreign Application Priority Data**
Jul. 20, 2012 (JP) 2012-017296
- (51) **LOC (10) Cl.** **26-03**
- (52) **U.S. Cl.**
USPC **D26/85**; D26/83; D26/90; D26/109
- (58) **Field of Classification Search**
USPC D26/81-86, 88-91, 93, 102, 106, 109, D26/120; 362/147, 404-408, 410, 431
See application file for complete search history.

- (56) **References Cited**
U.S. PATENT DOCUMENTS
D73,230 S * 8/1927 Kehoe D26/106
D124,602 S * 1/1941 Dreyfuss D26/109
D313,669 S * 1/1991 Sonneman D26/109
D355,725 S * 2/1995 Roberts, III D26/109
D394,727 S * 5/1998 Larkin D26/109
D468,478 S * 1/2003 Landefeld et al. D26/106
D492,440 S * 6/2004 Parres D26/85
D565,778 S * 4/2008 Pedersen D26/84
D566,877 S * 4/2008 Chandler D26/85
D584,440 S * 1/2009 Allen D26/76

- D584,848 S * 1/2009 Menke D26/88
- D618,842 S * 6/2010 Ngai et al. D26/88
- D634,055 S 3/2011 Hokazono et al.
- D634,056 S 3/2011 Hokazono et al.
- D640,823 S 6/2011 Hokazono et al.
- D645,196 S * 9/2011 Hickok D26/88
- D649,276 S * 11/2011 Sabernig D26/84
- D649,675 S * 11/2011 Sabernig D26/84
- D654,212 S * 2/2012 Blum et al. D26/118
- D655,439 S * 3/2012 Sabernig D26/83
- D661,421 S * 6/2012 Hor et al. D26/84
- D663,882 S 7/2012 Muraishi et al.
- D681,254 S * 4/2013 Blum et al. D26/83

* cited by examiner

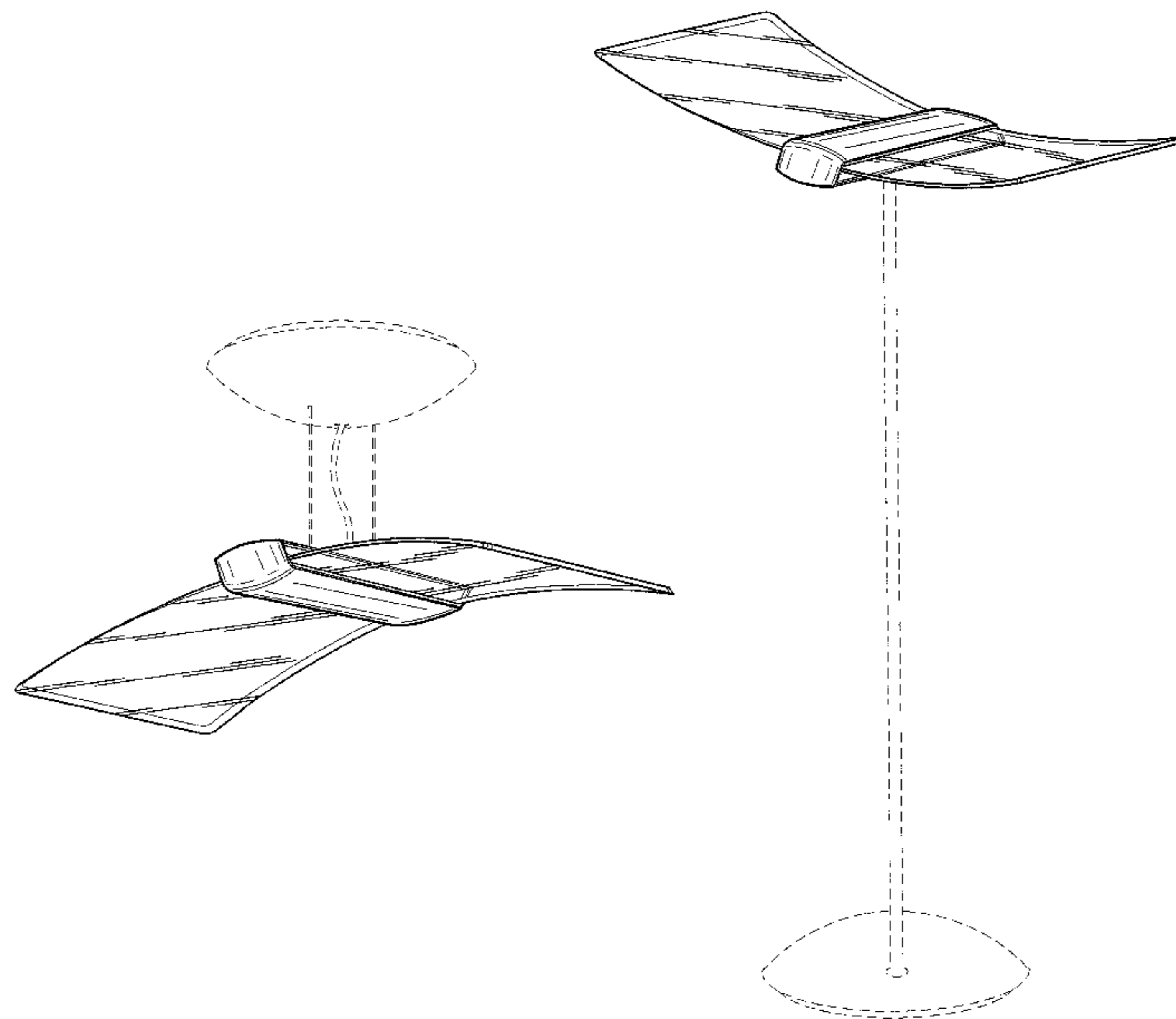
Primary Examiner — Clare E Heflin

(74) *Attorney, Agent, or Firm* — Nixon & Vanderhye, P.C.

(57) **CLAIM**
The ornamental design for a “luminaire,” as shown and described.

DESCRIPTION
FIG. 1 is a perspective view of a luminaire in accordance with our new design;
FIG. 2 is a front elevation view thereof, the rear elevation view being a mirror image thereof;
FIG. 3 is top plan view thereof;
FIG. 4 is a bottom plan view thereof;
FIG. 5 is a right-side elevation view thereof, the left side elevation view being a mirror image thereof;
FIG. 6 is a reference view showing the luminaire in a first exemplary state of use; and,
FIG. 7 is a reference view showing the luminaire in a second exemplary state of use.
Subject matter shown in dashed lines is for environmental purposes only and forms no part of the claimed invention.

1 Claim, 4 Drawing Sheets



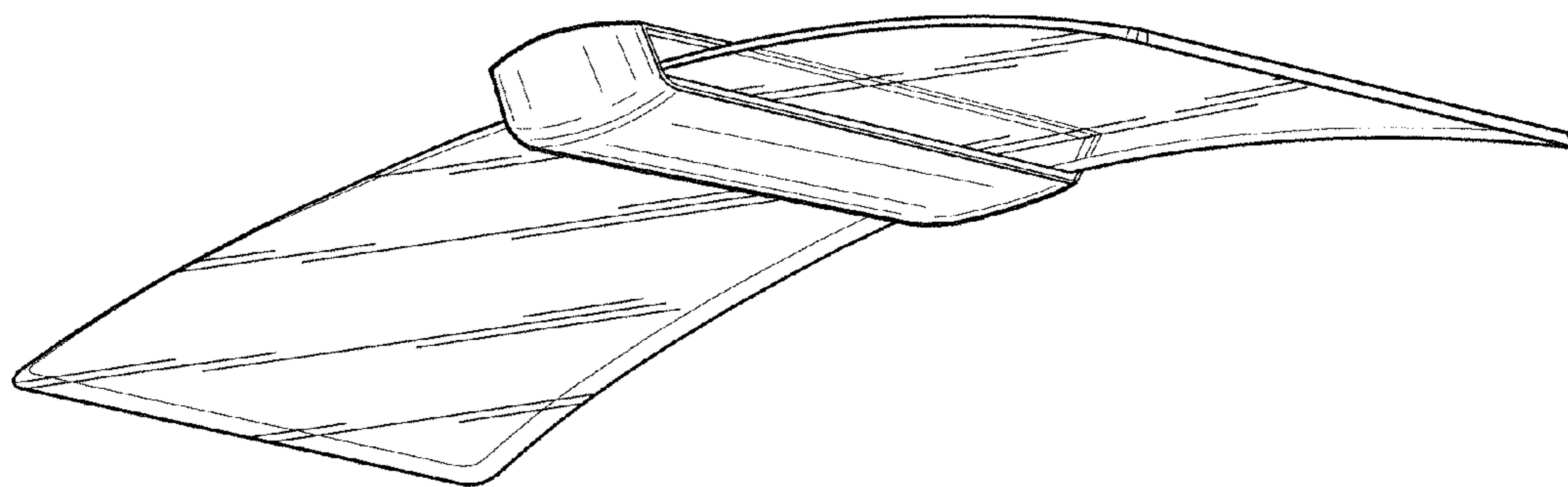


FIG. 1

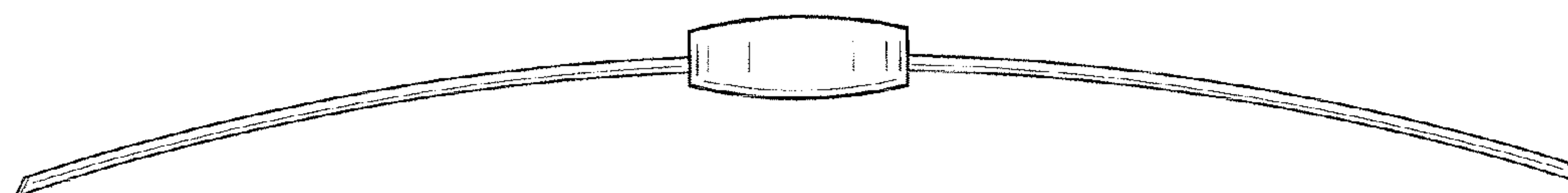


FIG. 2

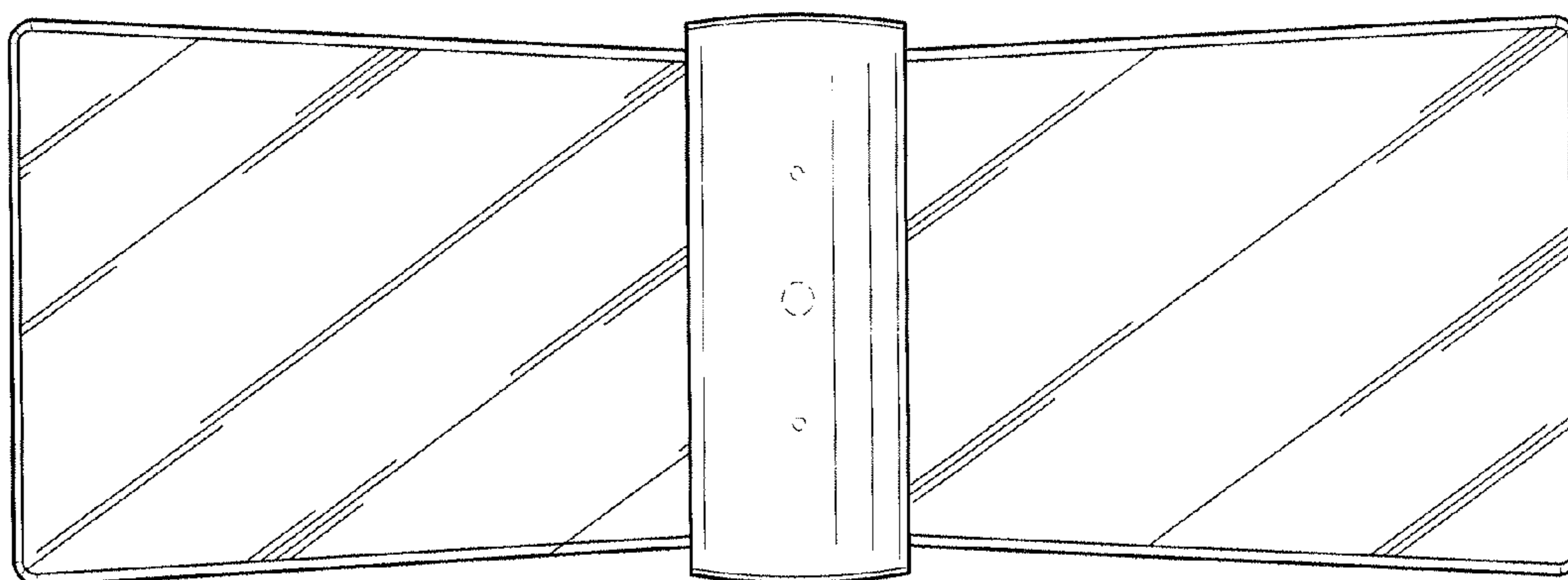


FIG. 3

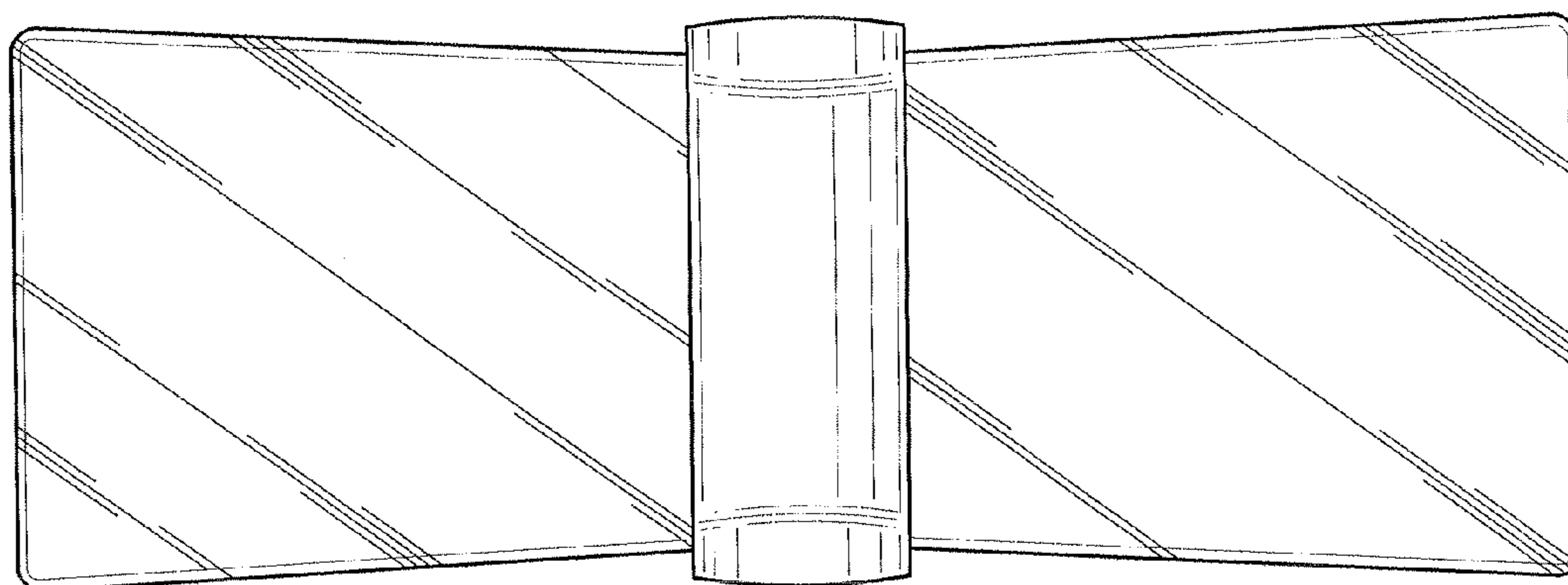


FIG. 4

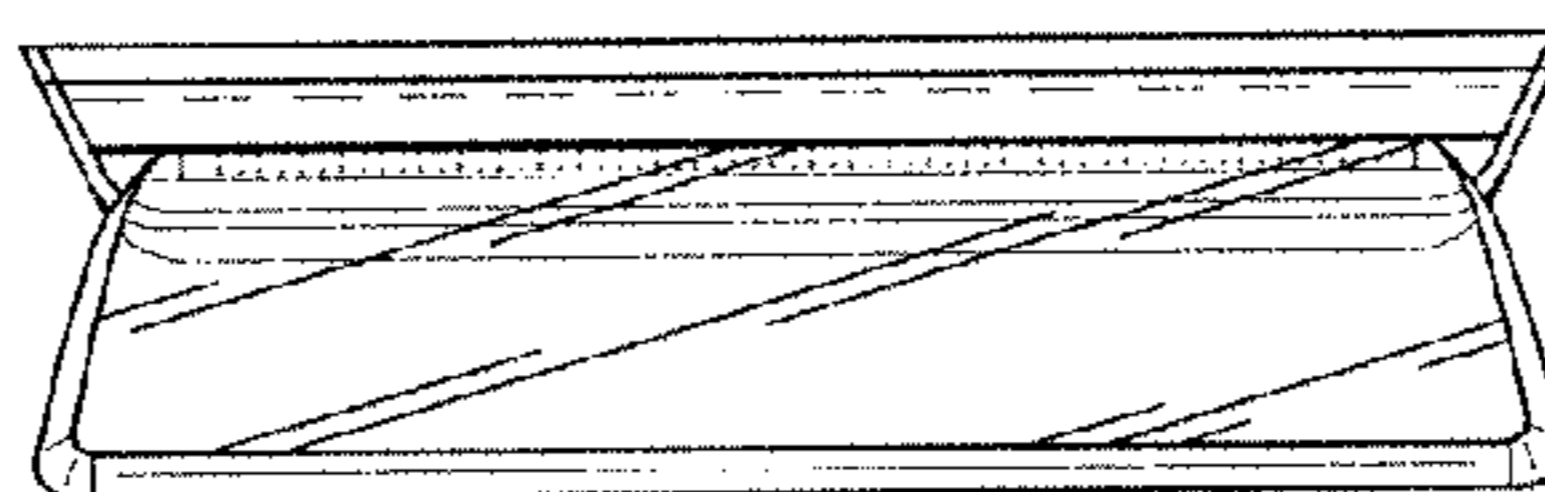


FIG. 5

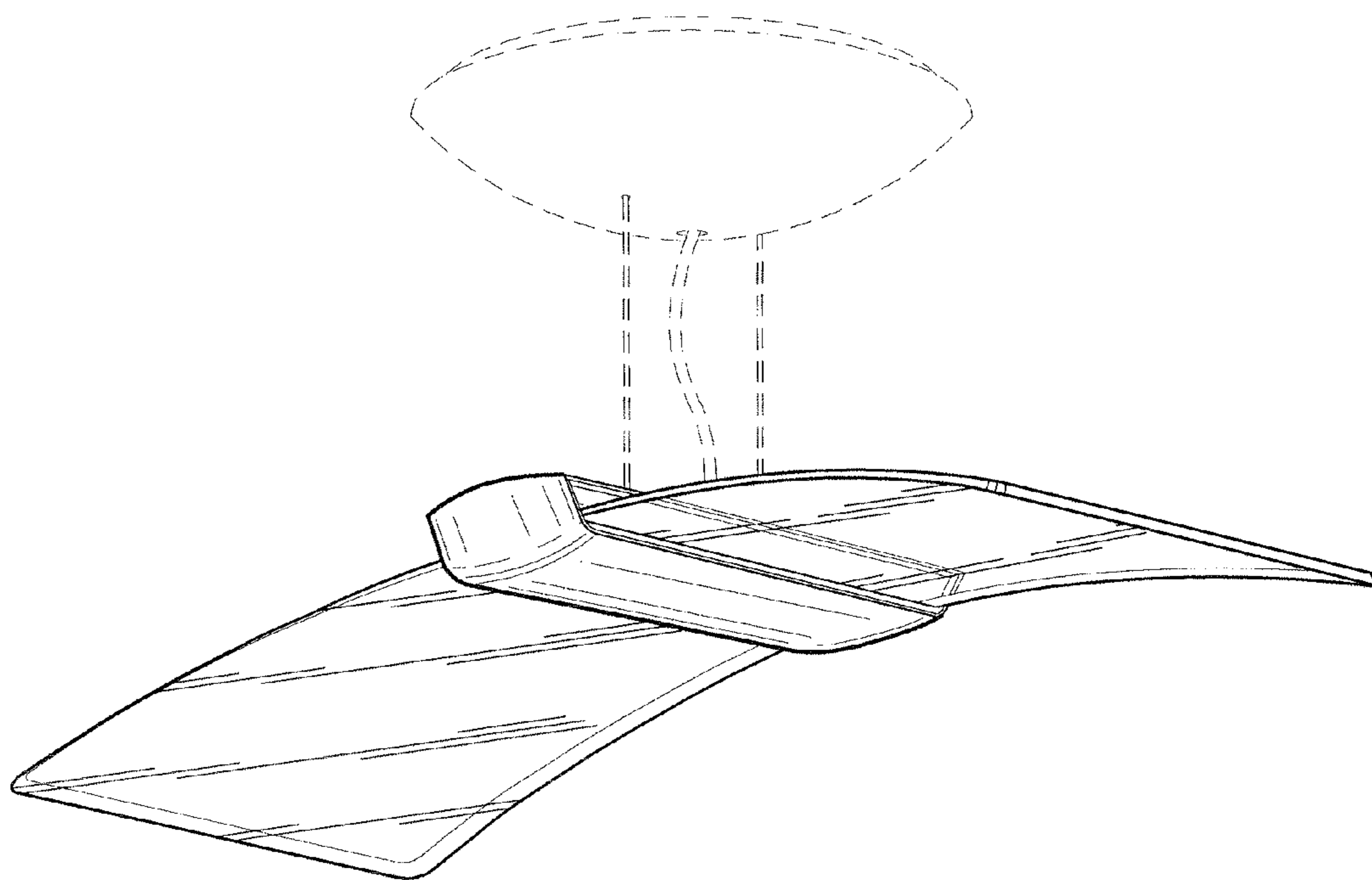


FIG. 6

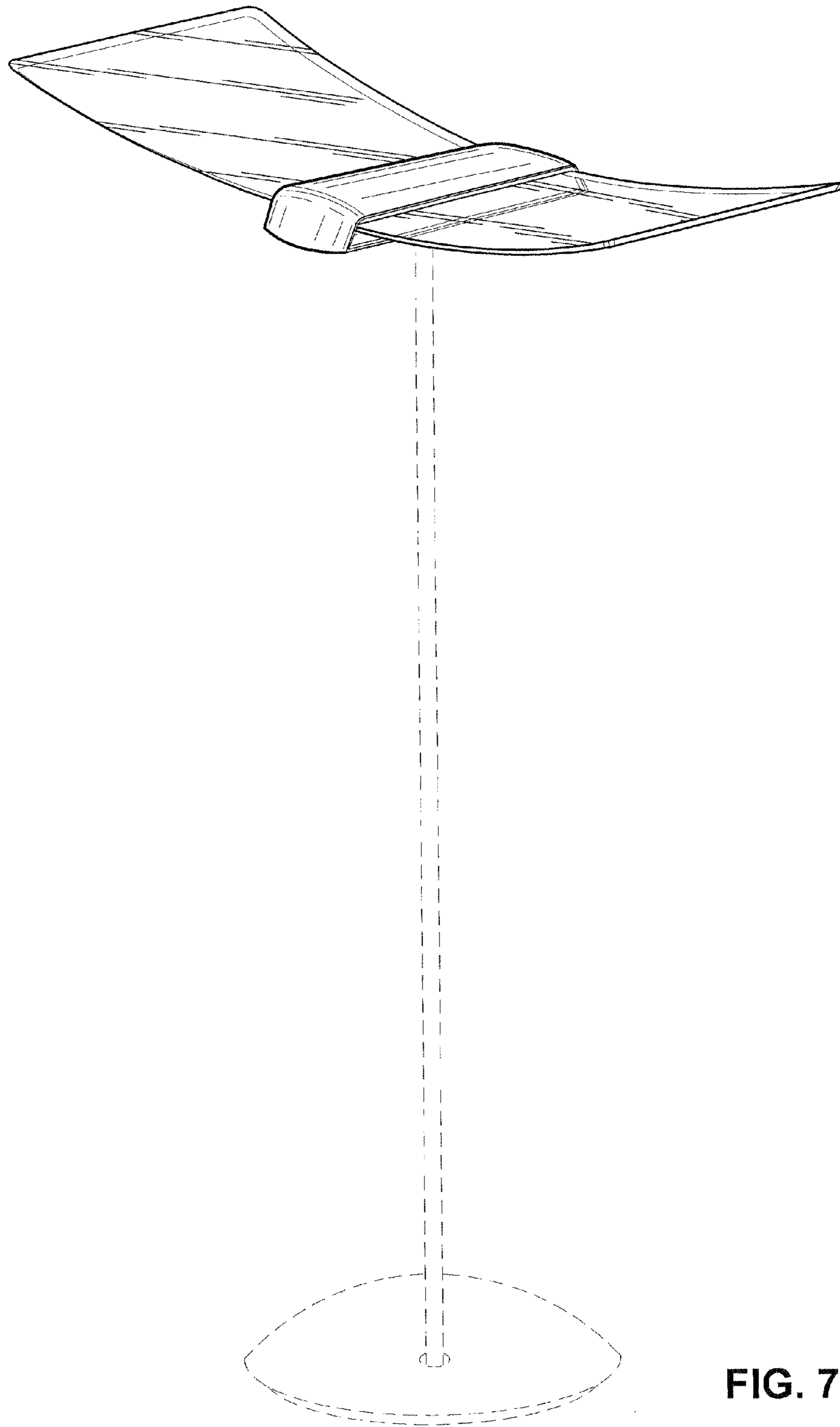


FIG. 7