



US00D703358S

(12) **United States Design Patent**
Shiu

(10) **Patent No.:** **US D703,358 S**
(45) **Date of Patent:** **** Apr. 22, 2014**

(54) **FLASHLIGHT**

(75) **Inventor:** **Stephanie Wai Man Shiu**, New Territories (HK)

(73) **Assignee:** **Gold Coral International Limited**, Kowloon (HK)

(**) **Term:** **14 Years**

(21) **Appl. No.:** **29/430,857**

(22) **Filed:** **Aug. 30, 2012**

(30) **Foreign Application Priority Data**

Mar. 23, 2012 (HK) 1200528

(51) **LOC (10) Cl.** **26-02**

(52) **U.S. Cl.**
USPC **D26/49**

(58) **Field of Classification Search**
USPC D26/37, 38, 46, 49; 362/157, 158, 183,
362/184, 194-196, 202-208
See application file for complete search history.

(56) **References Cited**

U.S. PATENT DOCUMENTS

D431,085 S *	9/2000	Poon	D26/49
D486,936 S *	2/2004	Shiu	D26/49
D529,643 S *	10/2006	Kung	D26/37
D565,768 S *	4/2008	Shiu	D26/49
D576,757 S *	9/2008	Hesse et al.	D26/49

D577,845 S *	9/2008	Shiu	D26/49
D604,878 S *	11/2009	Kung	D26/49
D629,542 S *	12/2010	Robinson	D26/49
D639,478 S *	6/2011	Nguyen et al.	D26/49
D646,008 S *	9/2011	Couture	D26/49
D656,261 S *	3/2012	Lee	D26/49
D659,272 S *	5/2012	Nguyen et al.	D26/49
D685,939 S *	7/2013	Cooper	D26/49
D687,990 S *	8/2013	Yeh	D26/46
2008/0291666 A1 *	11/2008	Bushee et al.	362/206
2009/0295310 A1 *	12/2009	Duerr et al.	315/297
2010/0315805 A1 *	12/2010	Dongpan	362/157

* cited by examiner

Primary Examiner — Ian Simmons

Assistant Examiner — Carissa C Fitts

(74) *Attorney, Agent, or Firm* — Joseph G. Swan, P.C.

(57) **CLAIM**

The ornamental design for a flashlight, as shown and described.

DESCRIPTION

FIG. 1 is a perspective view of a flashlight according to the present invention.

FIG. 2 is a front elevational view of the flashlight.

FIG. 3 is a rear elevational view of the flashlight.

FIG. 4 is a top plan view of the flashlight.

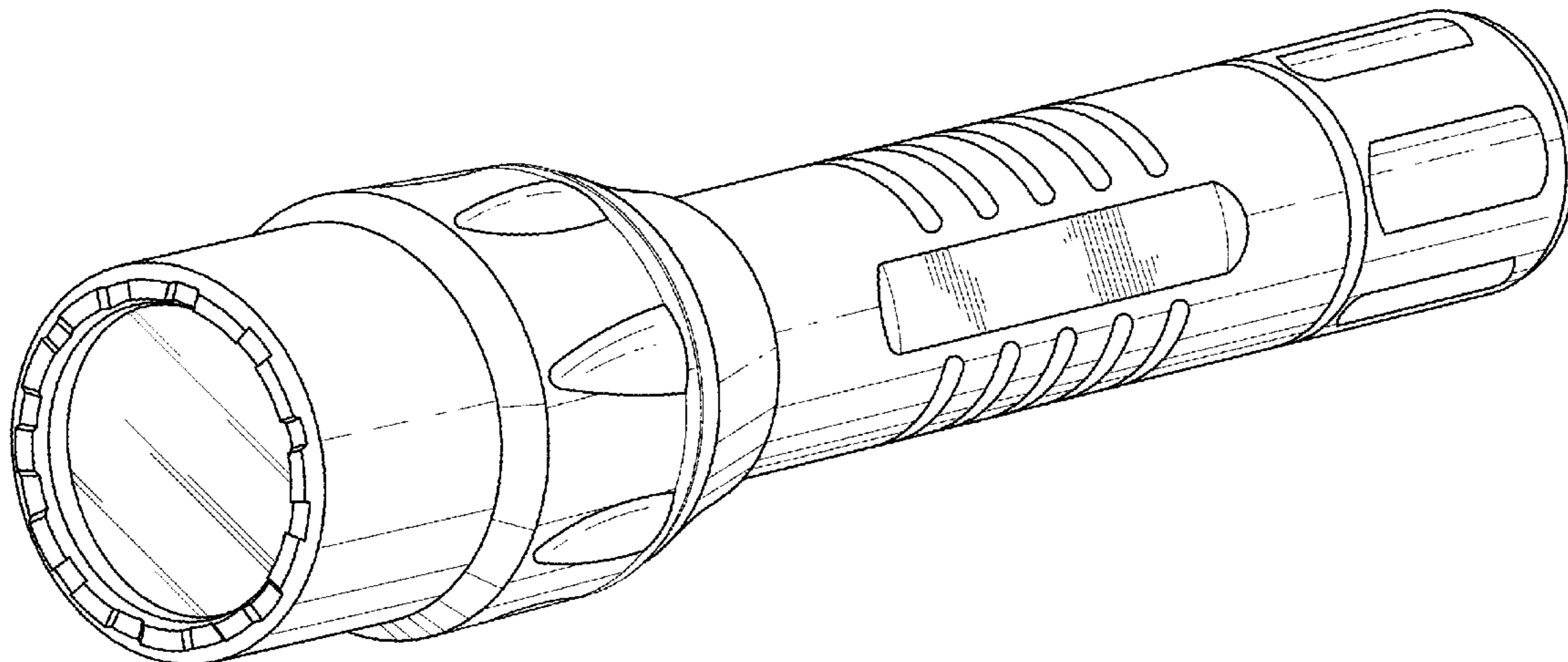
FIG. 5 is a bottom plan view of the flashlight.

FIG. 6 is a right side elevational view of the flashlight; and,

FIG. 7 is a left side elevational view of the flashlight.

The broken line showing is for environmental purposes only and forms no part of the claimed design.

1 Claim, 3 Drawing Sheets



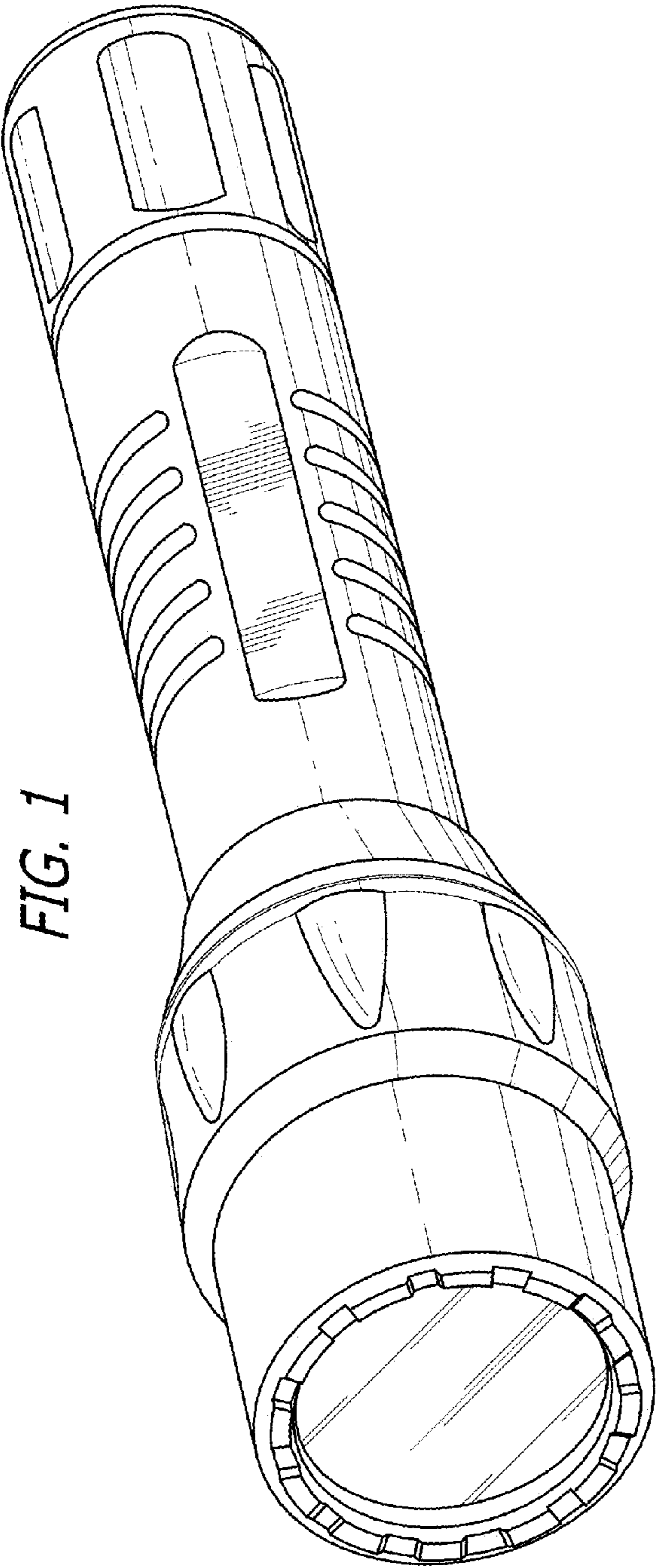


FIG. 1

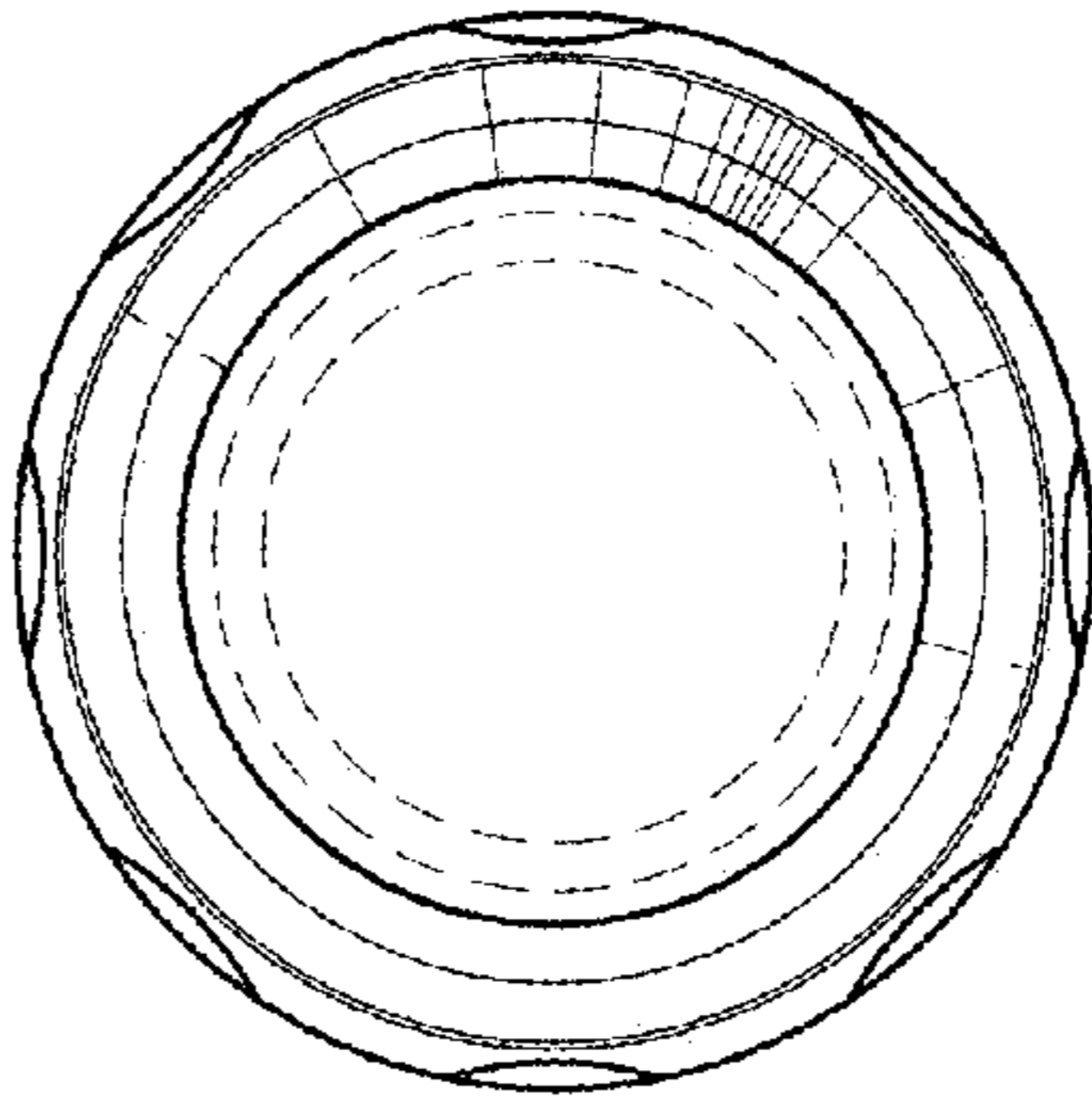


FIG. 3

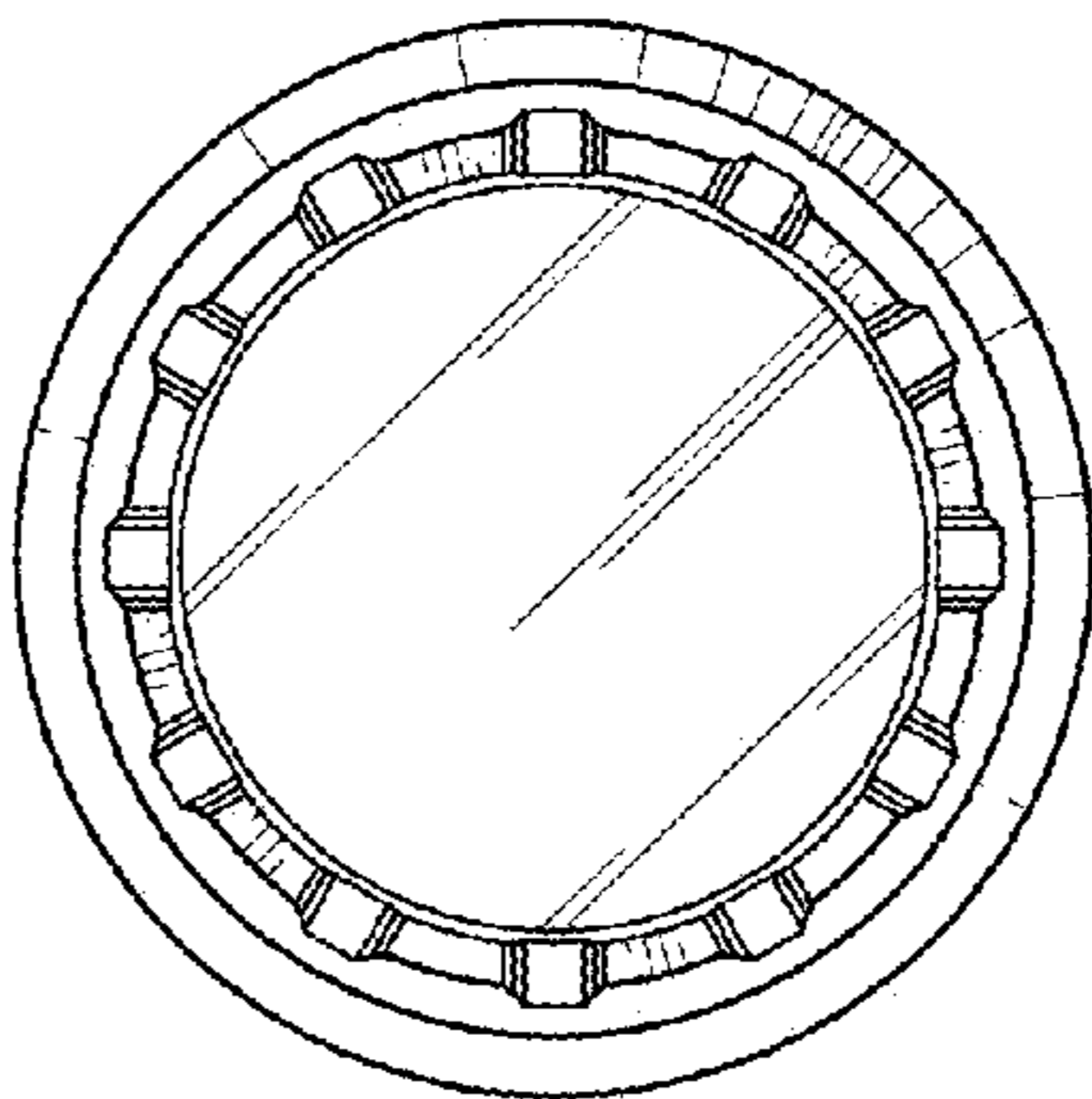


FIG. 2

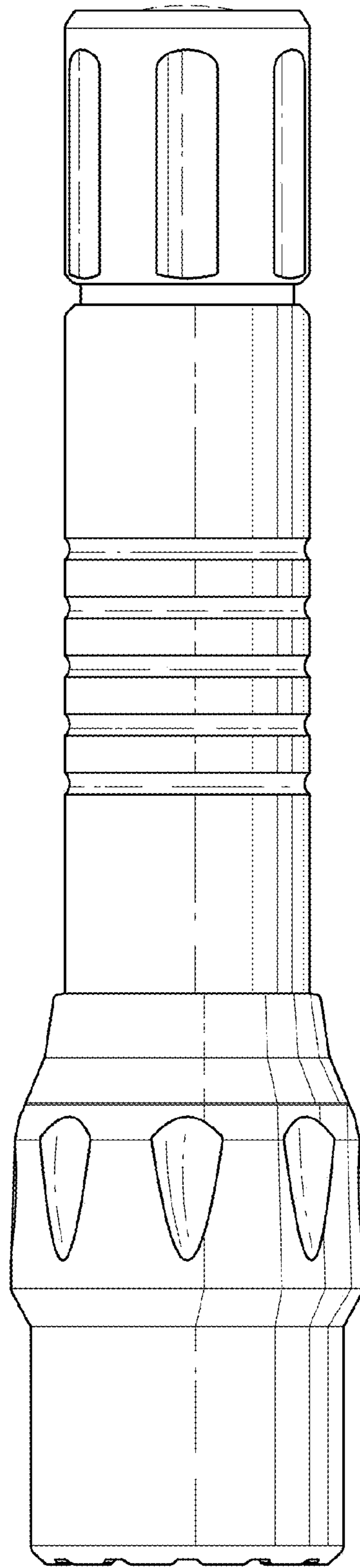
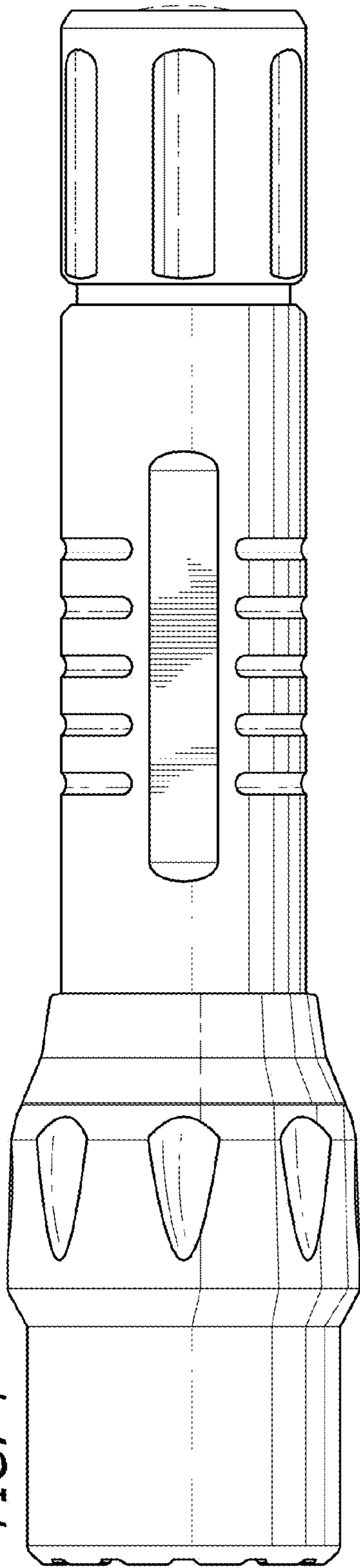


FIG. 4

FIG. 5

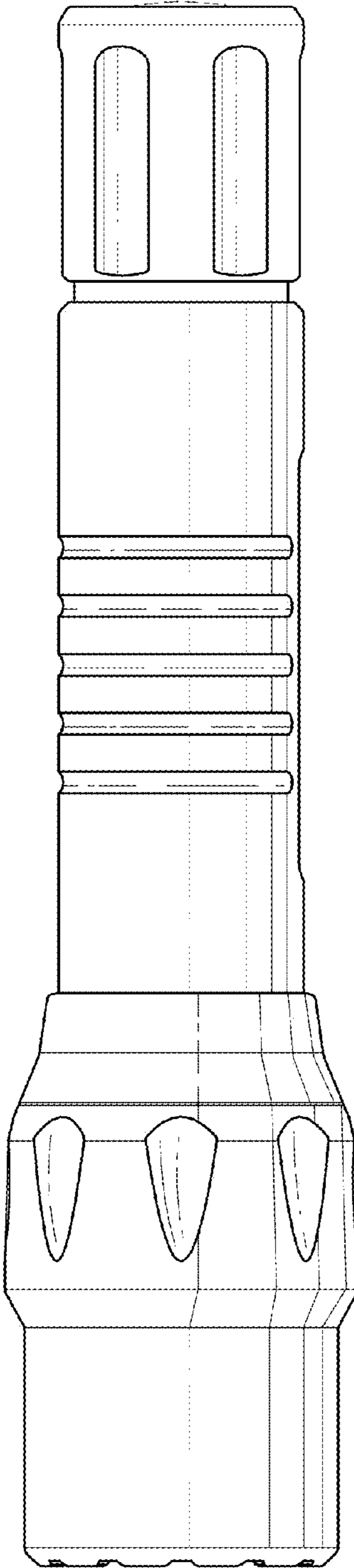


FIG. 6

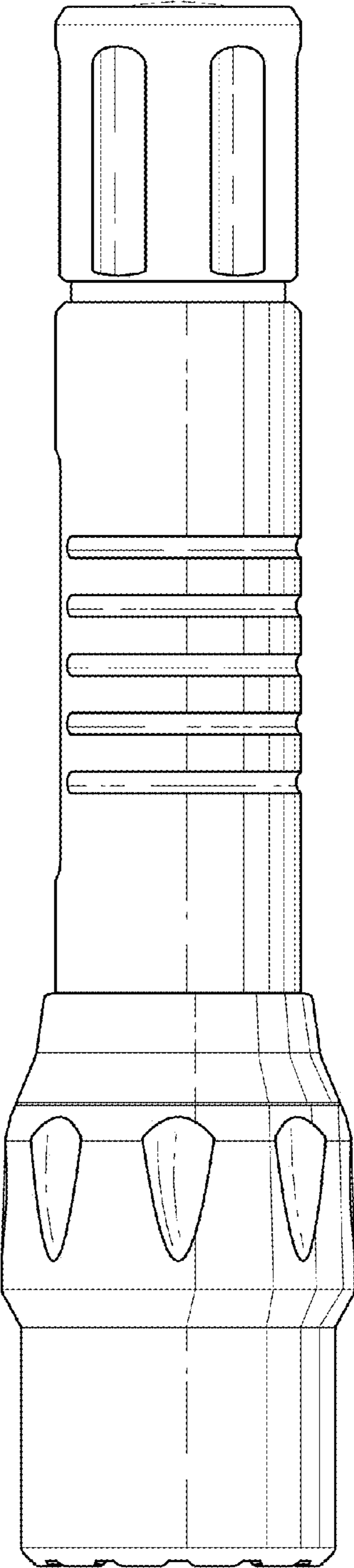


FIG. 7