



US00D703356S

(12) **United States Design Patent**  
**Grandadam**

(10) **Patent No.:** **US D703,356 S**

(45) **Date of Patent:** **\*\* Apr. 22, 2014**

(54) **FLASHLIGHT**

(76) **Inventor:** **Cody D Grandadam**, Granville, IL (US)

(\*\*) **Term:** **14 Years**

(21) **Appl. No.:** **29/430,792**

(22) **Filed:** **Aug. 30, 2012**

(51) **LOC (10) Cl.** ..... **26-02**

(52) **U.S. Cl.**  
USPC ..... **D26/44**

(58) **Field of Classification Search**  
USPC ..... D26/37, 38, 41-44, 51, 61, 63;  
362/157, 158, 183, 184, 194-208  
See application file for complete search history.

(56) **References Cited**

**U.S. PATENT DOCUMENTS**

D241,972 S *	10/1976	Nau	.....	D26/44
D316,455 S *	4/1991	Krol	.....	D26/44
D323,717 S *	2/1992	Fung	.....	D26/44
D349,776 S *	8/1994	Yuen	.....	D26/44
D397,478 S *	8/1998	Booty, Jr.	.....	D26/65
D445,932 S *	7/2001	Ceder	.....	D26/42
D462,802 S *	9/2002	Kovacik et al.	.....	D26/63
D498,551 S *	11/2004	Chan	.....	D26/37
D523,839 S *	6/2006	Li	.....	D14/168
D524,474 S *	7/2006	Lo et al.	.....	D26/60
D527,129 S *	8/2006	Hodgson	.....	D26/42

D532,131 S *	11/2006	Thuma et al.	.....	D26/38
D593,695 S *	6/2009	Levine	.....	D26/42
D612,969 S *	3/2010	Schoch et al.	.....	D26/50
D615,226 S *	5/2010	Levine	.....	D26/44
D620,627 S *	7/2010	Kovacik et al.	.....	D26/42
D656,646 S *	3/2012	Kawase et al.	.....	D26/44
D656,647 S *	3/2012	Hodgson	.....	D26/44

\* cited by examiner

*Primary Examiner* — Ian Simmons

*Assistant Examiner* — Carissa C Fitts

(74) *Attorney, Agent, or Firm* — Justin Lampel

(57) **CLAIM**

The ornamental design for a flashlight, as shown and described.

**DESCRIPTION**

FIG. 1 is a front perspective view of the flashlight;  
FIG. 2 is a front plan view of the flashlight;  
FIG. 3 is a back view of the flashlight;  
FIG. 4 is a side view of the flashlight;  
FIG. 5 is a side view of the flashlight;  
FIG. 6 is a top view of the flashlight;  
FIG. 7 is a bottom view of the flashlight; and,  
FIG. 8 is a side view of the flashlight wherein the flashlight is moved in a second orientation.  
The broken line showing is for illustrative purposes only and forms no part of the claimed design.

**1 Claim, 5 Drawing Sheets**

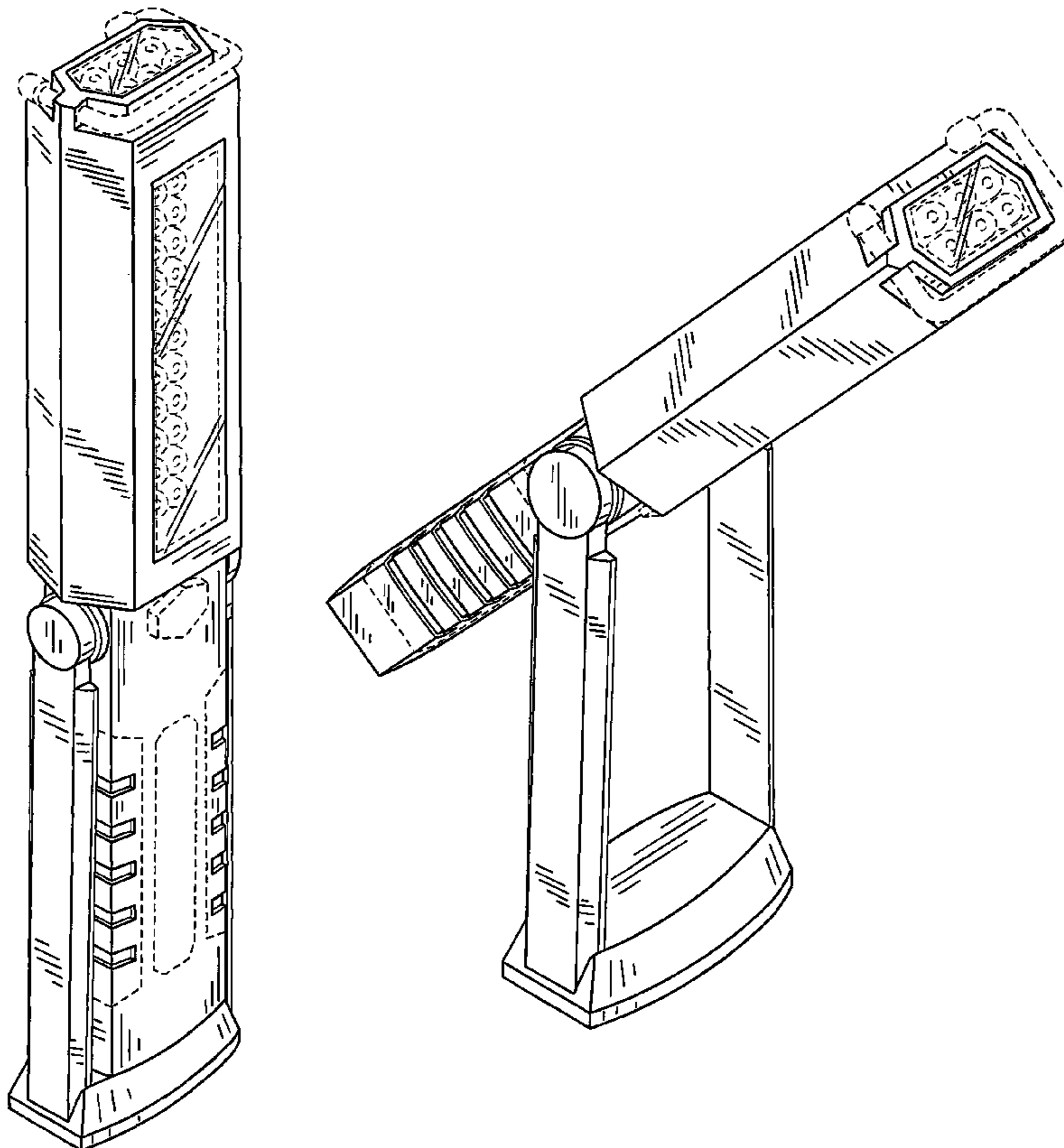
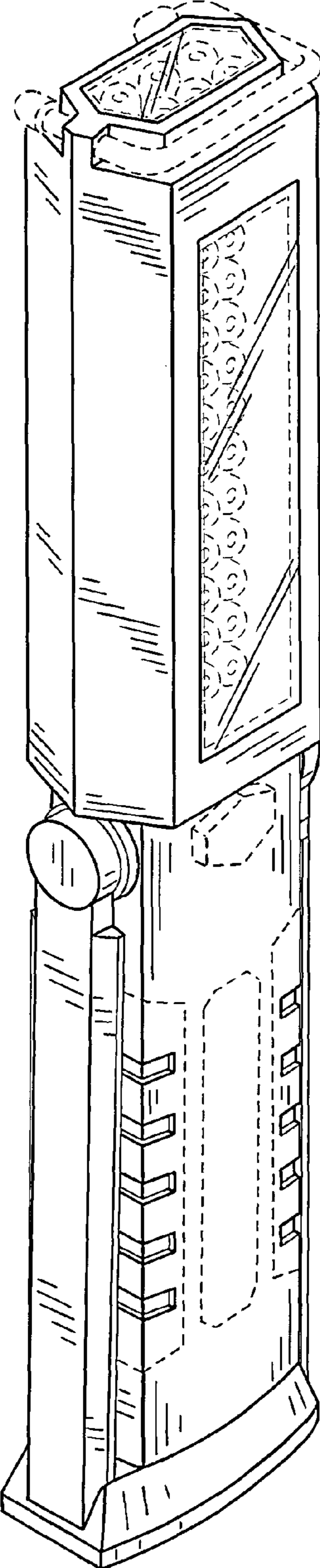


FIG. 1



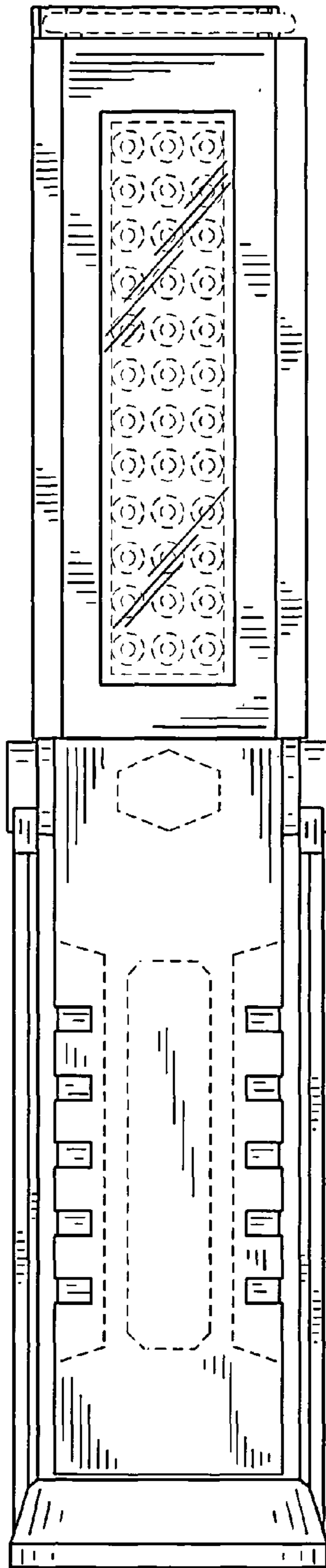


FIG. 2

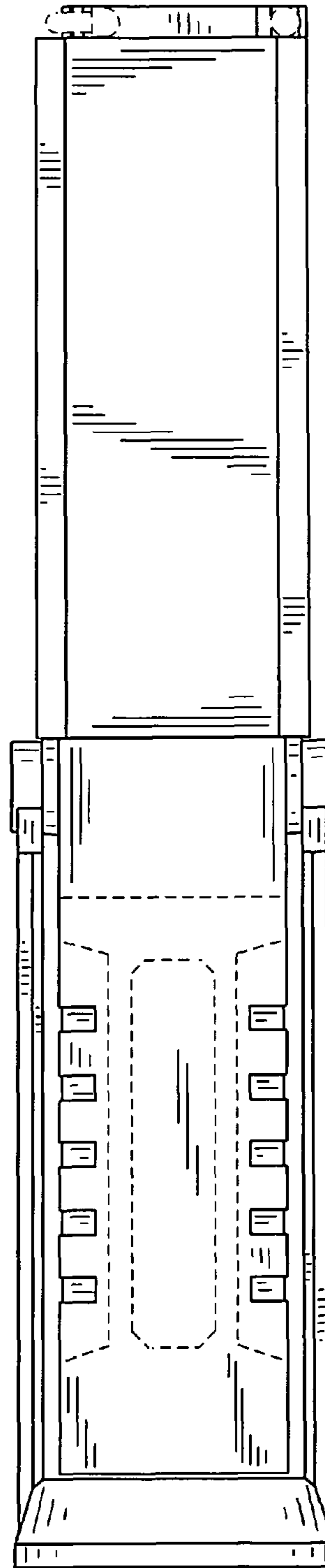


FIG. 3

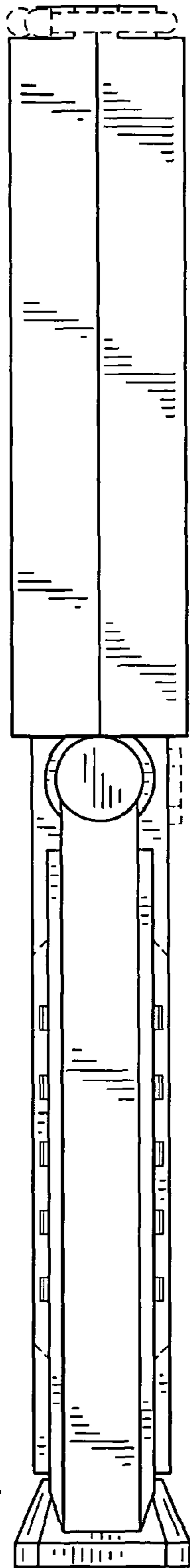


FIG. 4

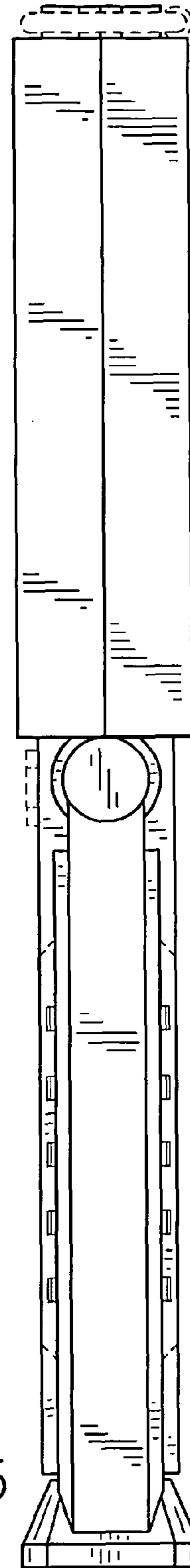


FIG. 5

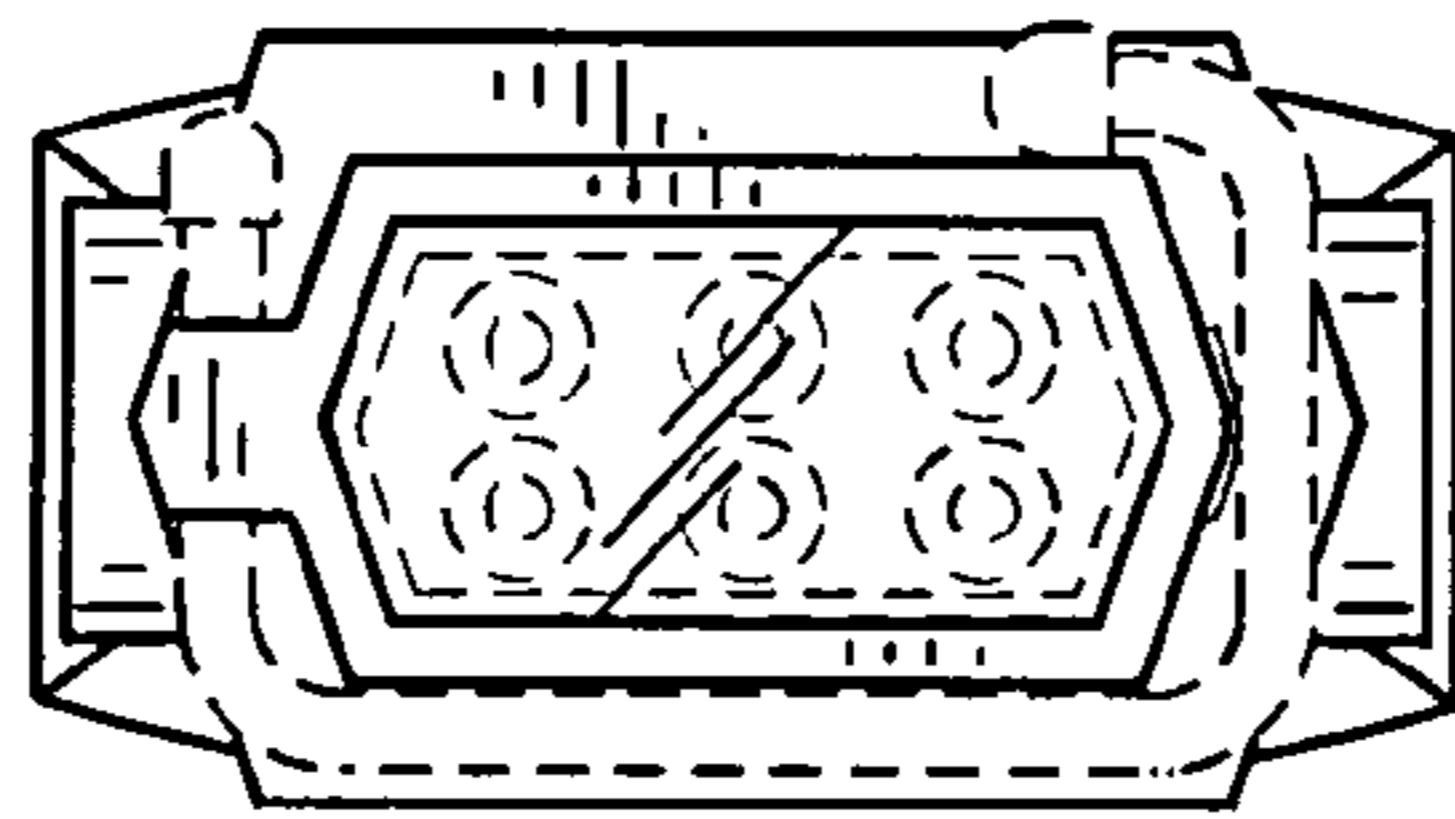


FIG. 6

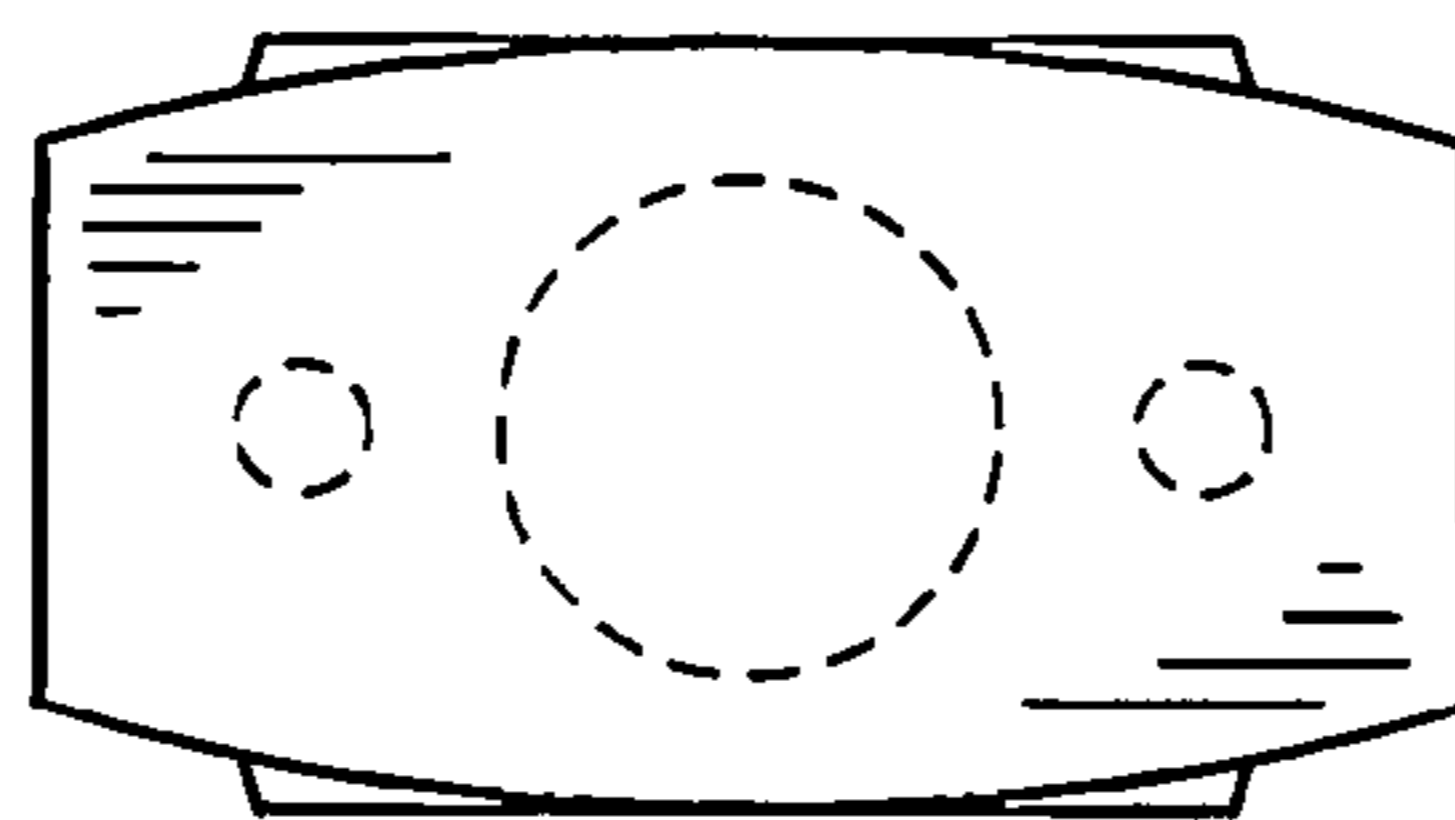


FIG. 7

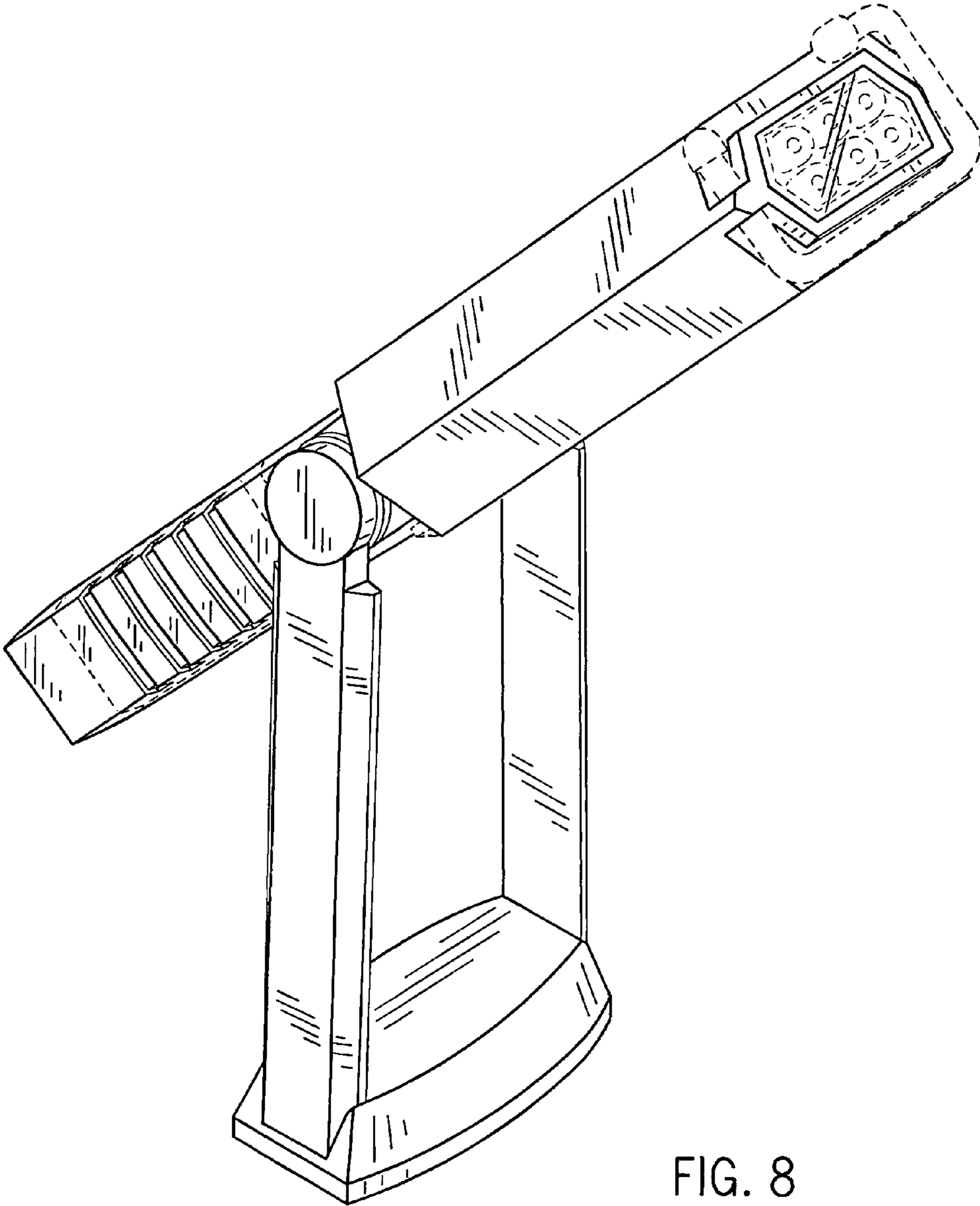


FIG. 8