



US00D703355S

(12) **United States Design Patent**
Kotsis

(10) **Patent No.:** **US D703,355 S**

(45) **Date of Patent:** **** Apr. 22, 2014**

(54) **LIGHTING DEVICE**

(71) Applicant: **Eveready Battery Company, Inc.**, St. Louis, MO (US)

(72) Inventor: **Angelo Kotsis**, Marrickville (AU)

(73) Assignee: **Eveready Battery Company, Inc.**, St. Louis, MO (US)

(**) Term: **14 Years**

(21) Appl. No.: **29/445,907**

(22) Filed: **Feb. 19, 2013**

(51) **LOC (10) Cl.** **26-02**

(52) **U.S. Cl.**
USPC **D26/37**

(58) **Field of Classification Search**
USPC D26/37, 38, 39, 41, 46, 50, 51, 44;
362/157, 158, 183, 184, 194-196, 202,
362/201, 207, 208

See application file for complete search history.

(56) **References Cited**

U.S. PATENT DOCUMENTS

D91,507 S *	2/1934	Barber	D26/50
D179,027 S *	10/1956	New	D26/36
2,932,018 A *	4/1960	Schwartz	362/486
D214,943 S *	8/1969	Zapolski	D26/37
D224,556 S *	8/1972	Chan	D26/44
D253,194 S *	10/1979	Watley	D26/50
D263,507 S *	3/1982	Wong	D26/44

D263,630 S *	3/1982	Wong	D26/41
D265,593 S *	7/1982	Mann	D26/37
D267,352 S *	12/1982	Suzuki	D26/118
D275,523 S *	9/1984	Ader	D26/39
D289,931 S *	5/1987	Grae	D26/50
D364,476 S *	11/1995	Pettersen	D26/50
D437,067 S *	1/2001	Lam	D26/39
D488,140 S *	4/2004	Hanselman et al.	D14/129

* cited by examiner

Primary Examiner — Carissa C Fitts

(74) *Attorney, Agent, or Firm* — Russell H. Toye, Jr.

(57) **CLAIM**

The ornamental design for a lighting device, as shown and described.

DESCRIPTION

FIG. 1 is a front perspective view of a lighting device showing my design;

FIG. 2 is a rear perspective view of the design.

FIG. 3 is a front view of the design.

FIG. 4 is a rear view of the design.

FIG. 5 is a left side view of the design.

FIG. 6 is a right side view of the design.

FIG. 7 is a top view of the design.

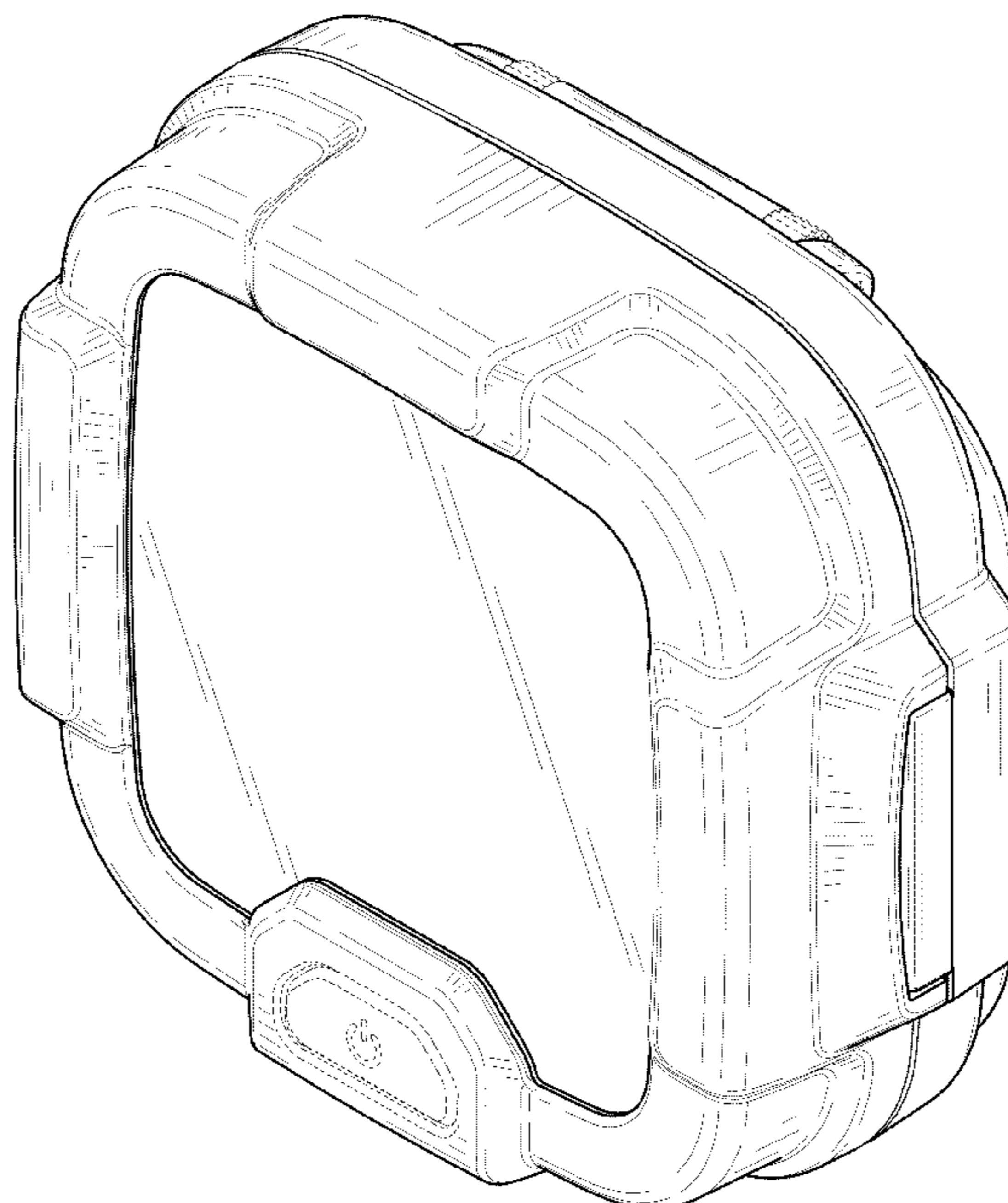
FIG. 8 is a bottom view of the design.

FIG. 9 is a front perspective view of the design; and,

FIG. 10 is a back perspective view of the design.

Any broken line(s) shown are for illustrative purposes only and form no part of the claimed design.

1 Claim, 8 Drawing Sheets



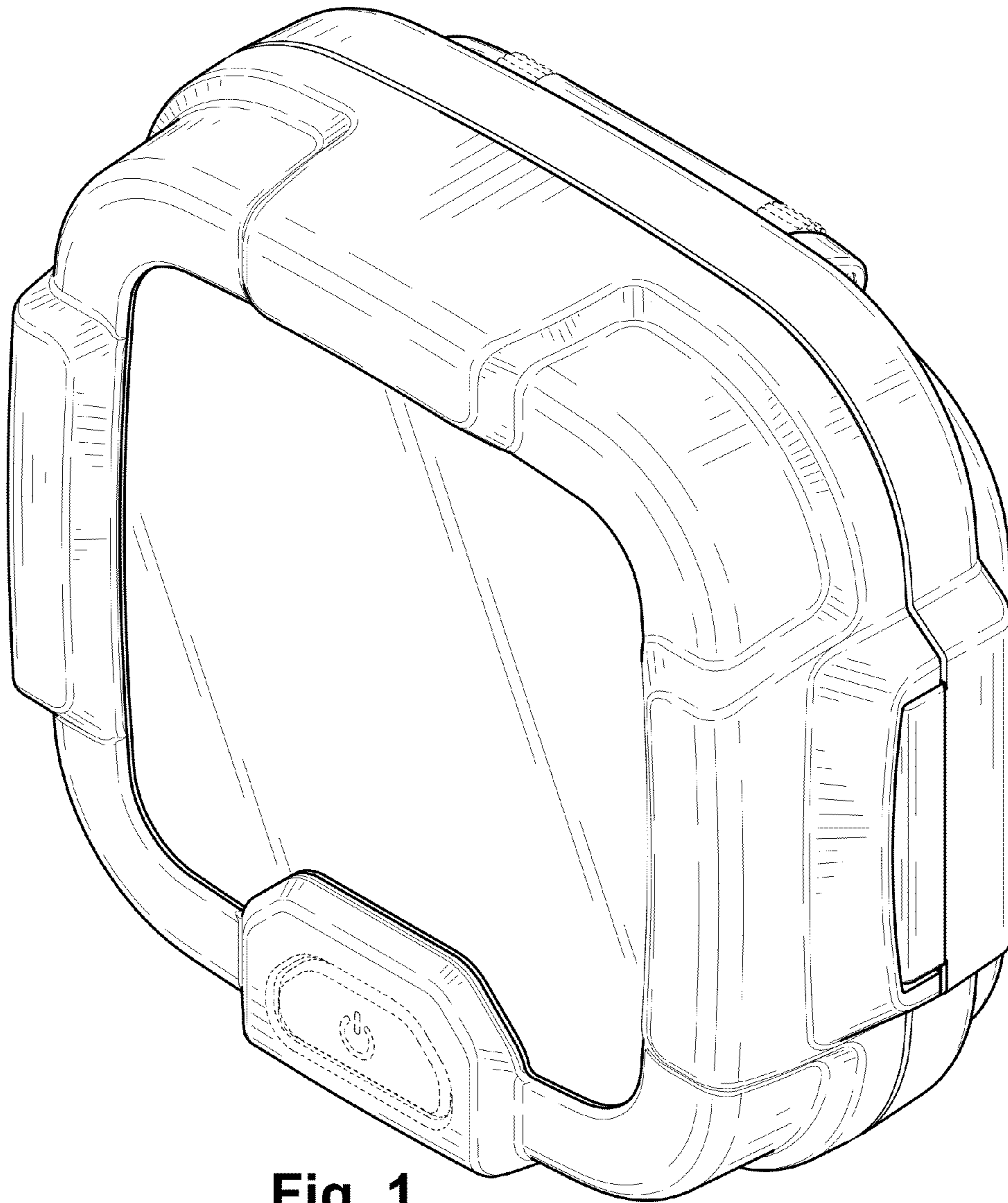


Fig. 1

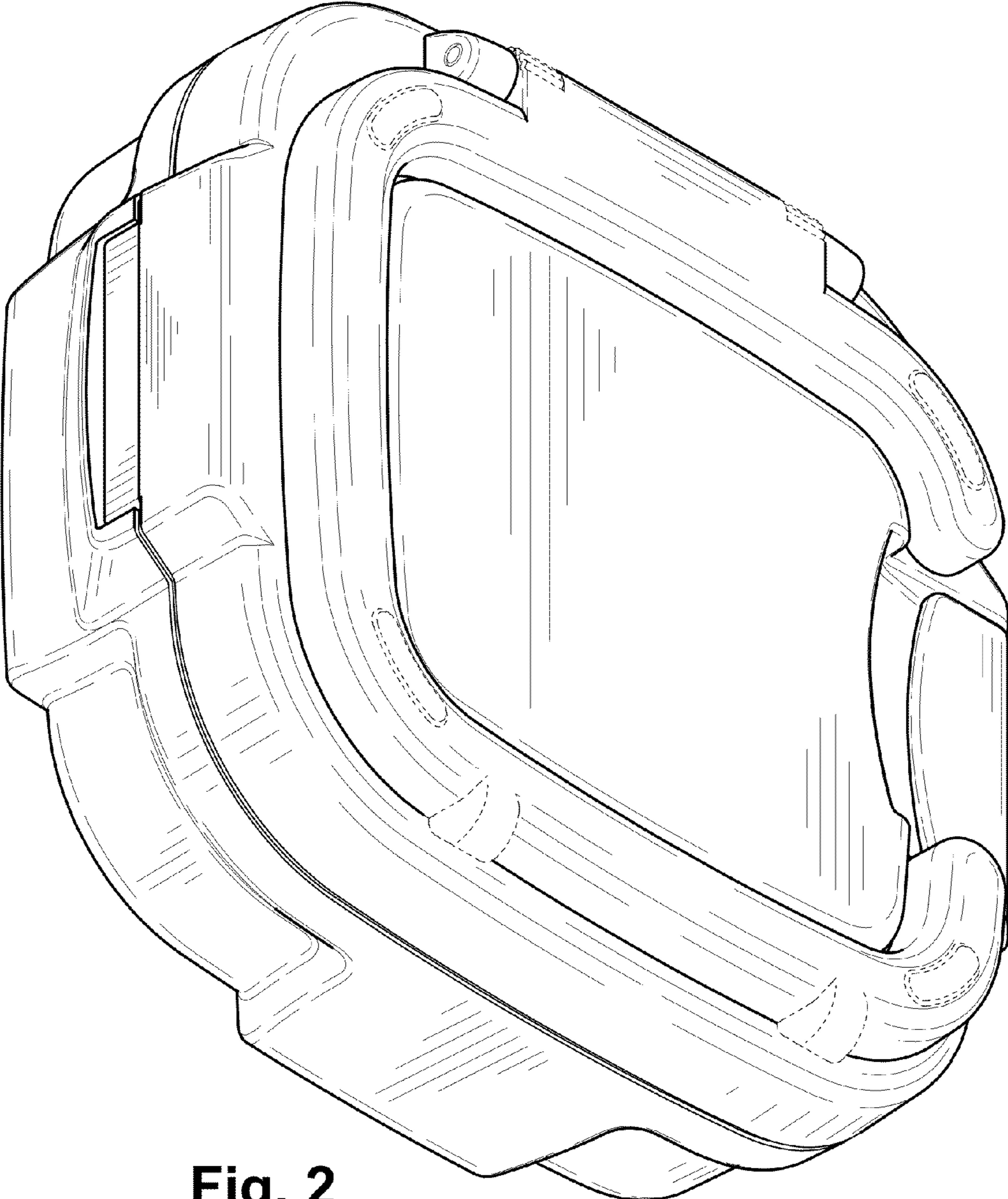


Fig. 2

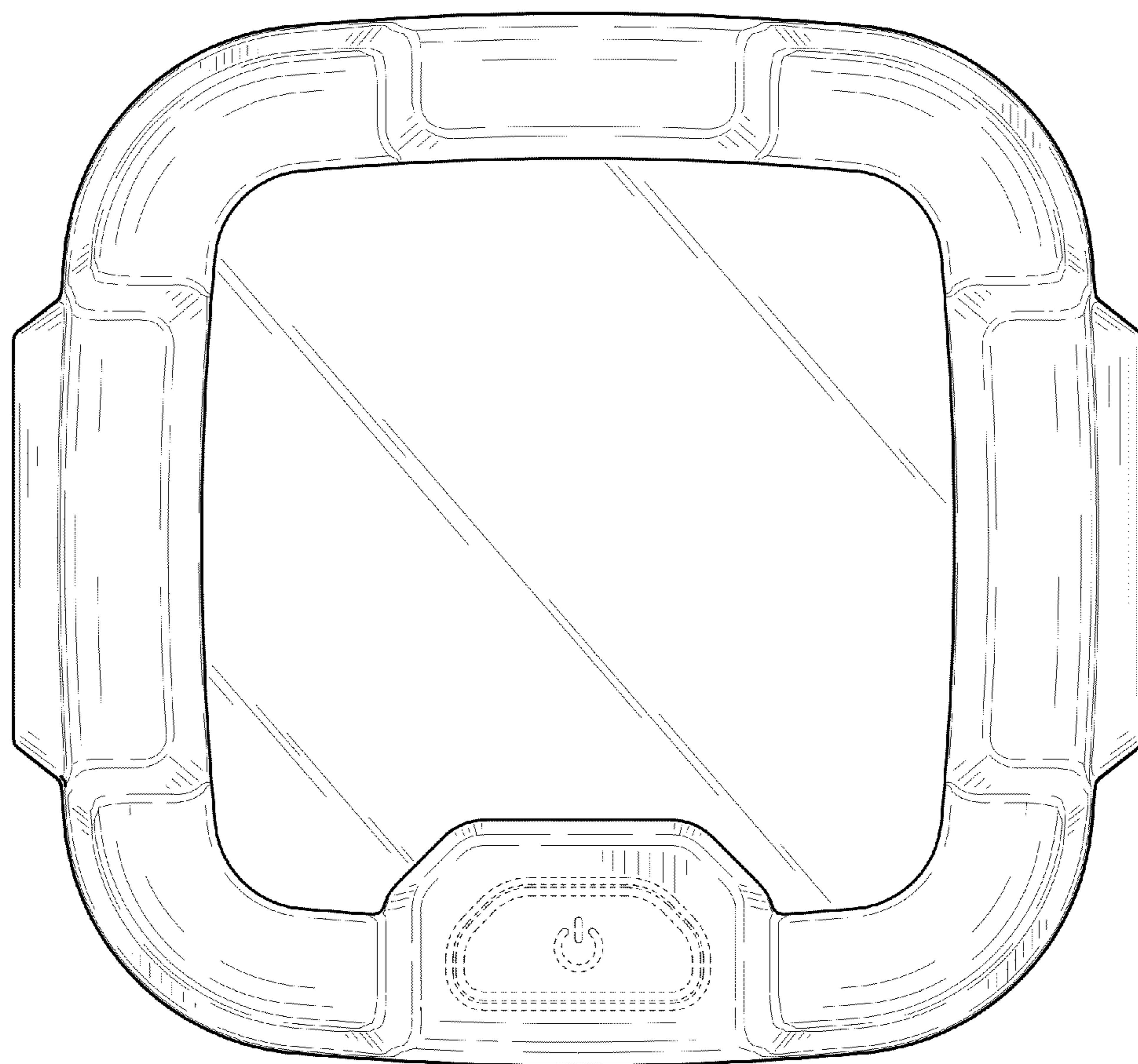


Fig. 3

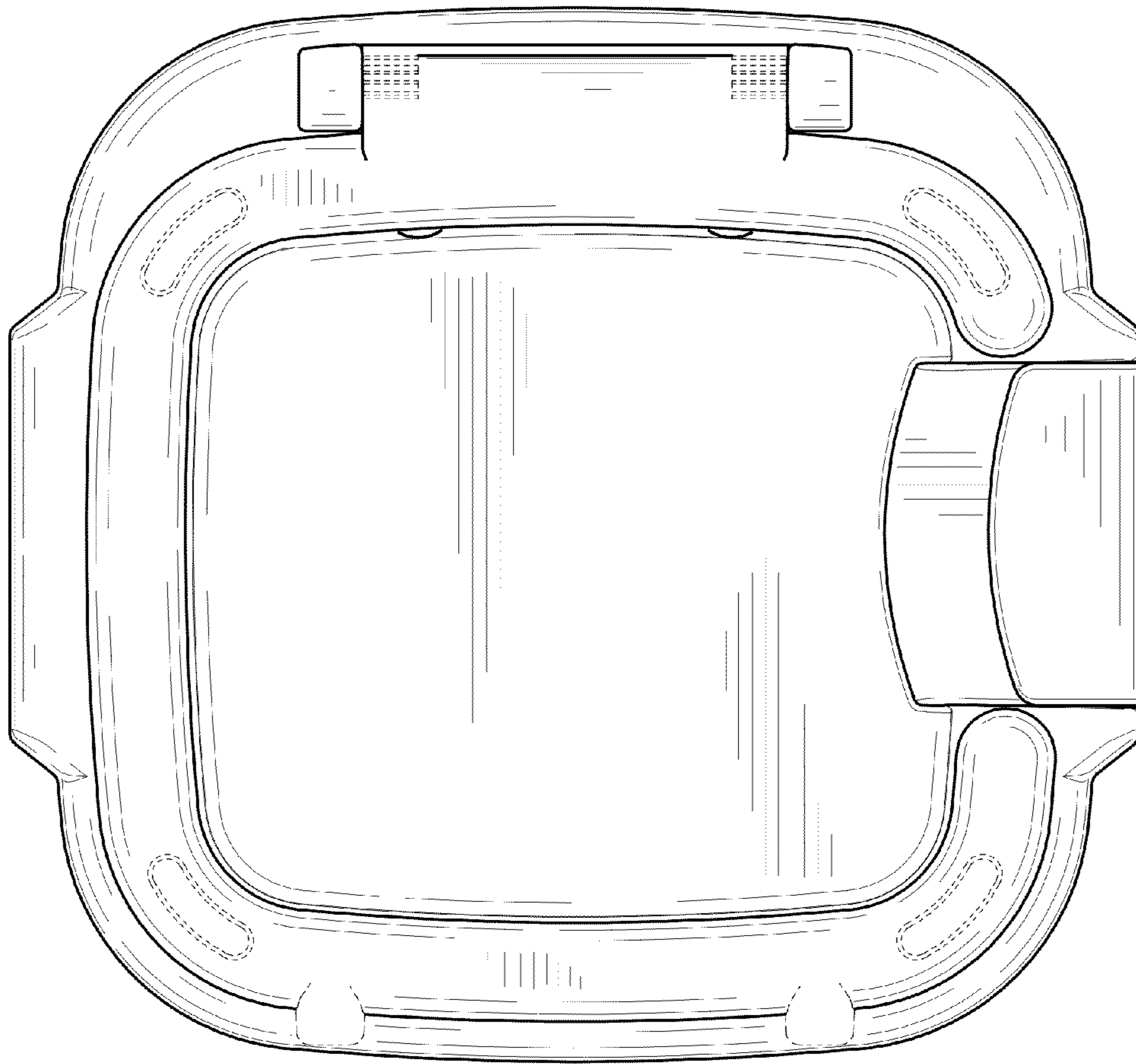


Fig. 4

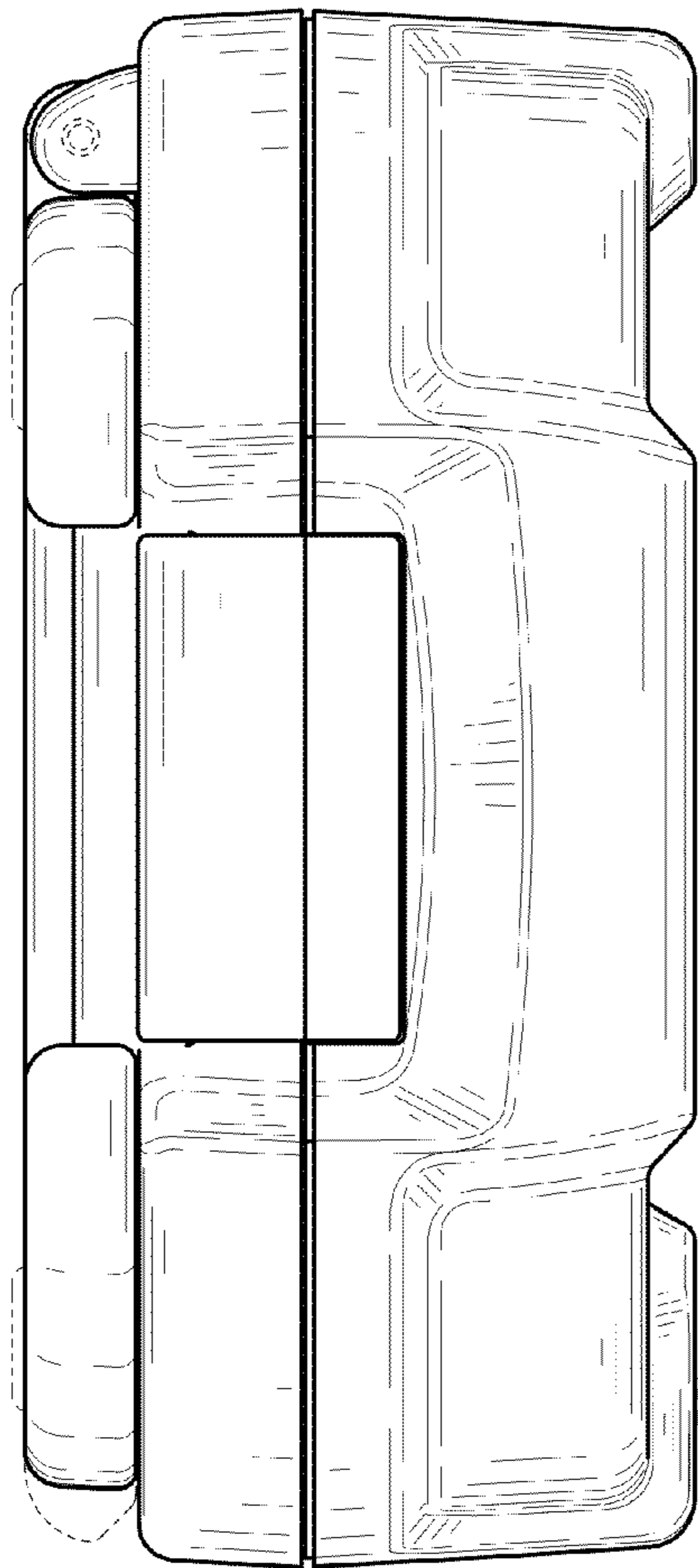


Fig. 5

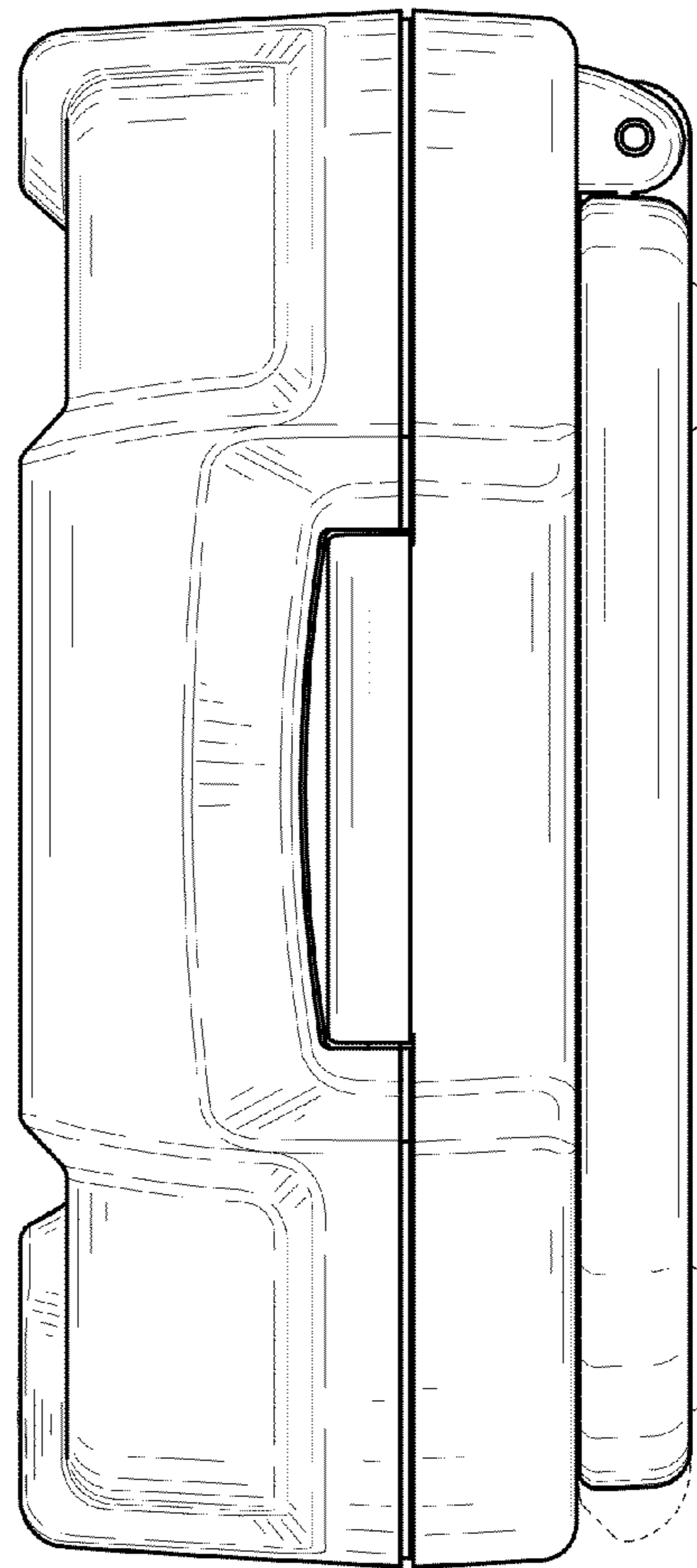


Fig. 6

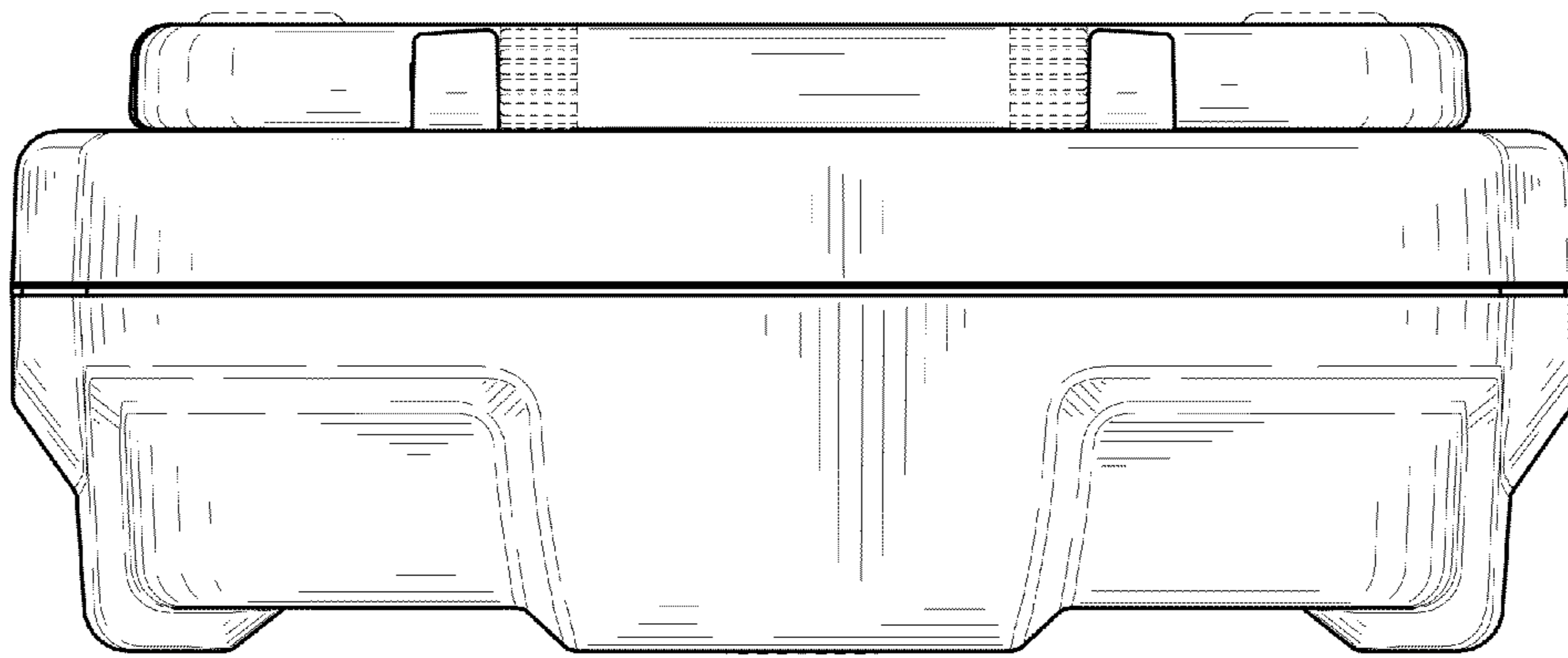


Fig. 7

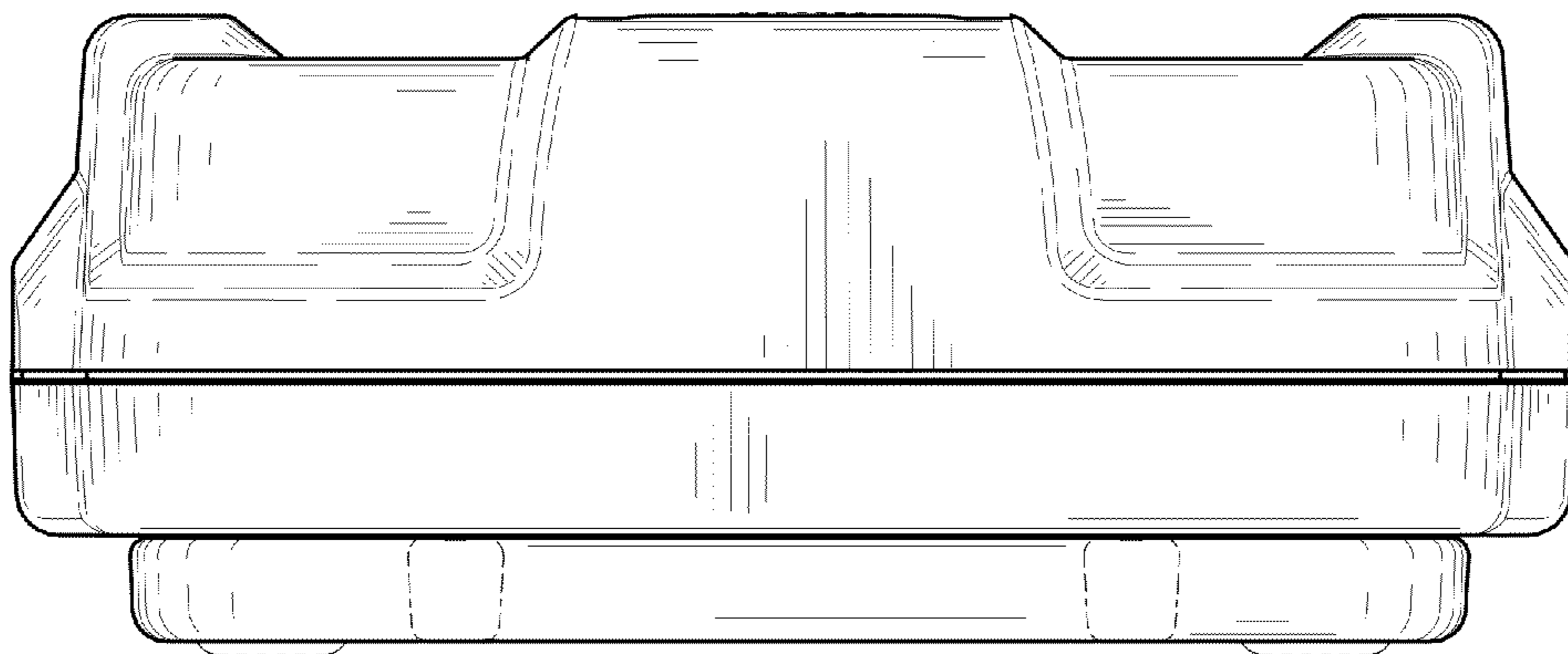


Fig. 8

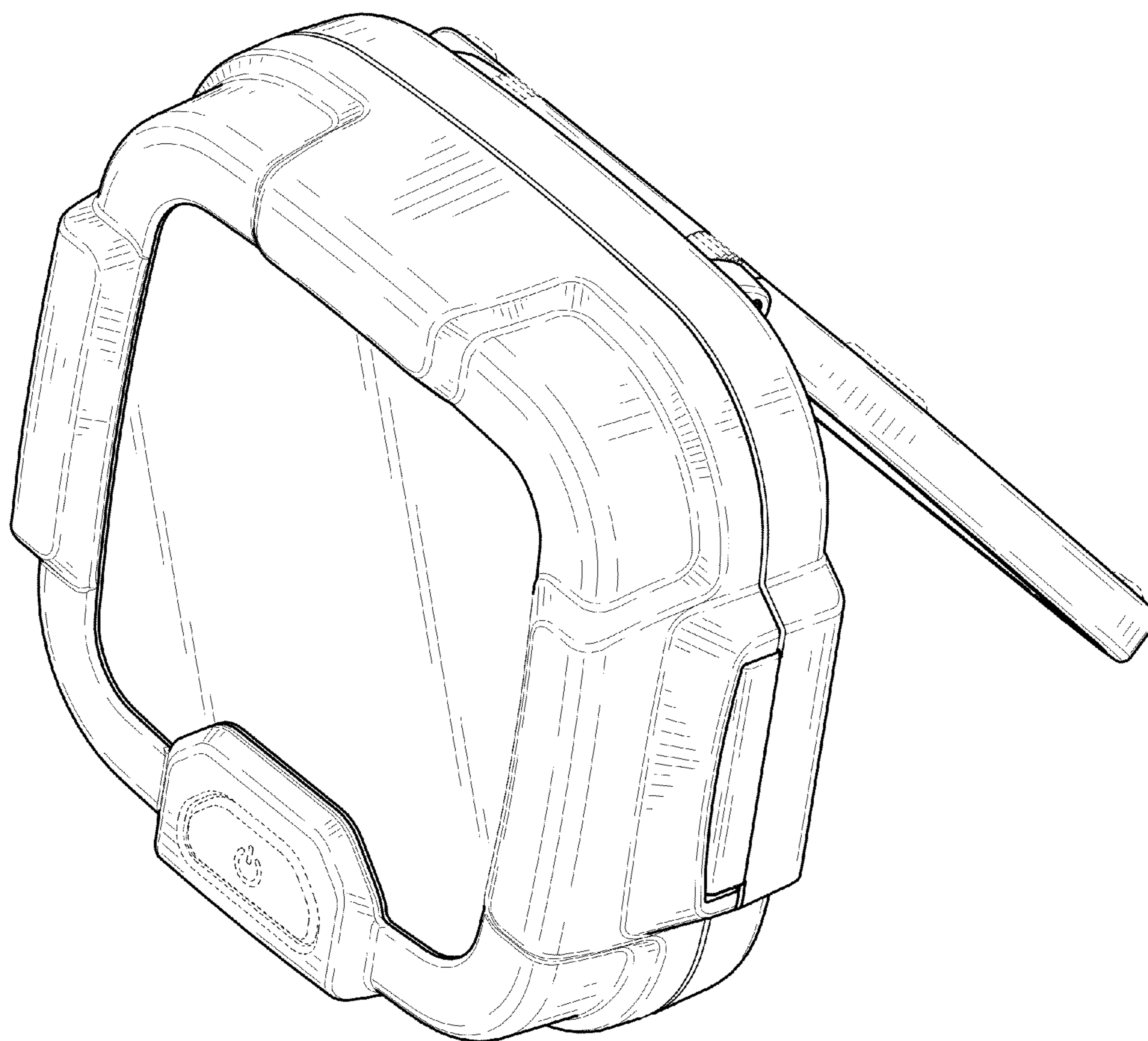


Fig. 9

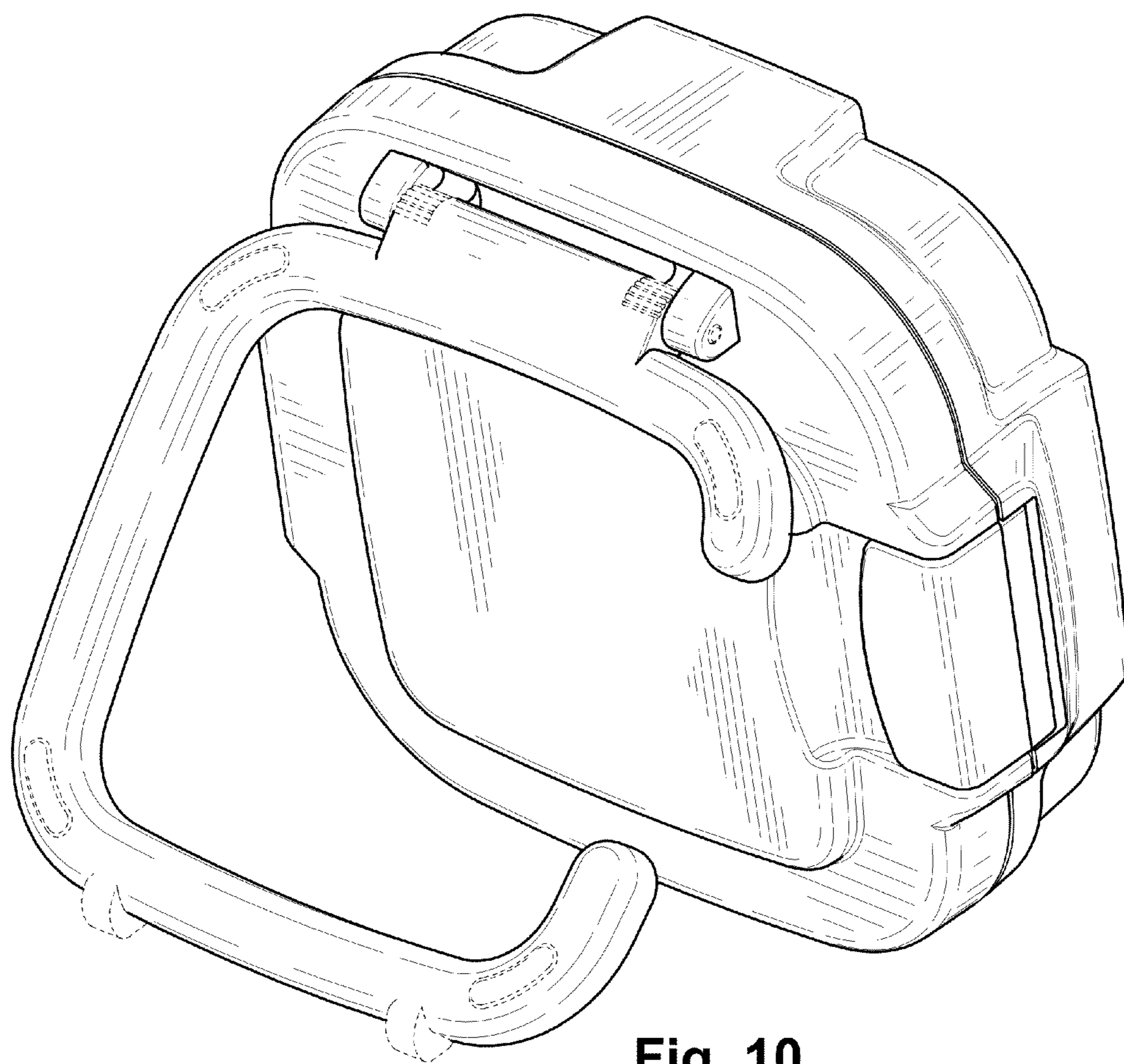


Fig. 10