



US00D703353S

(12) **United States Design Patent**
Wisby

(10) **Patent No.:** **US D703,353 S**
(45) **Date of Patent:** **** Apr. 22, 2014**

(54) **LIGHT FITTING**

(75) Inventor: **Patrick James Wisby**, Hailey (GB)

(73) Assignee: **Beadlight Limited**, Oxford (GB)

(**) Term: **14 Years**

(21) Appl. No.: **29/399,544**

(22) Filed: **Aug. 16, 2011**

(30) **Foreign Application Priority Data**

Apr. 13, 2011 (GB) 001850777-0003

(51) **LOC (10) Cl.** **26-03**

(52) **U.S. Cl.**
USPC **D26/29**

(58) **Field of Classification Search**
USPC D26/24, 29, 61, 72; 362/490, 581, 479,
362/470, 459, 421, 471, 294, 373
See application file for complete search history.

(56) **References Cited**

U.S. PATENT DOCUMENTS

3,912,918	A *	10/1975	Feinbloom	362/581
3,950,639	A *	4/1976	Van Steenhoven	362/309
4,298,912	A *	11/1981	Dearth	362/490
D291,253	S *	8/1987	Ortega	D26/29
D299,549	S *	1/1989	Macaluso	D26/29
4,872,097	A *	10/1989	Miller	362/373
D320,863	S *	10/1991	Macaluso	D26/29
5,690,424	A *	11/1997	Warshauer et al.	362/373

D406,670	S *	3/1999	Yeh	D26/29
D417,027	S *	11/1999	Cece	D26/29
6,880,956	B2 *	4/2005	Zhang	362/373
7,744,259	B2 *	6/2010	Walczak et al.	362/421

* cited by examiner

Primary Examiner — Brian N Vinson

(74) *Attorney, Agent, or Firm* — Davis & Bujold, PLLC;
Michael J. Bujold

(57) **CLAIM**

I claim the ornamental design for a light fitting, as shown and described.

DESCRIPTION

FIG. 1 is a front elevational view of a light fitting embodying my new design;

FIG. 2 is a rear elevational view thereof;

FIG. 3 is a left side elevational view thereof, with the right side being a mirror image thereof;

FIG. 4 is a front elevational view of the light fitting of FIG. 1 showing the pivotable light in a pivoted orientation;

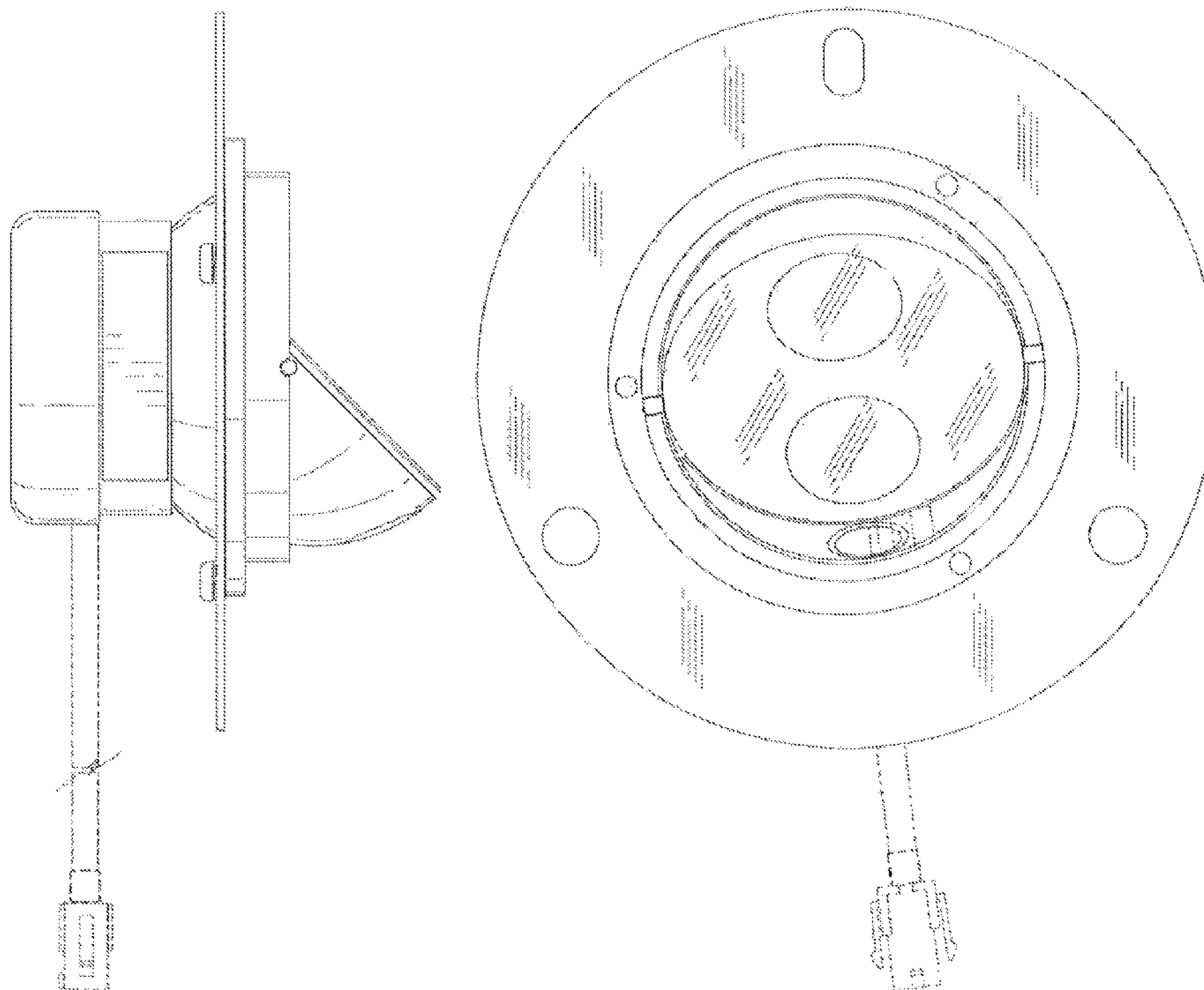
FIG. 5 is a left side elevational view of FIG. 4, with the right side being a mirror image thereof;

FIG. 6 is a further front elevational view of the light fitting of FIG. 1 showing the pivotable light in a pivoted orientation and rotated relative to the exterior housing; and,

FIG. 7 is another front elevational view of the light fitting of FIG. 1 showing the pivotable light in a pivoted orientation and rotated relative to the exterior housing.

The broken-line disclosure represents unclaimed portions of the fitting.

1 Claim, 7 Drawing Sheets



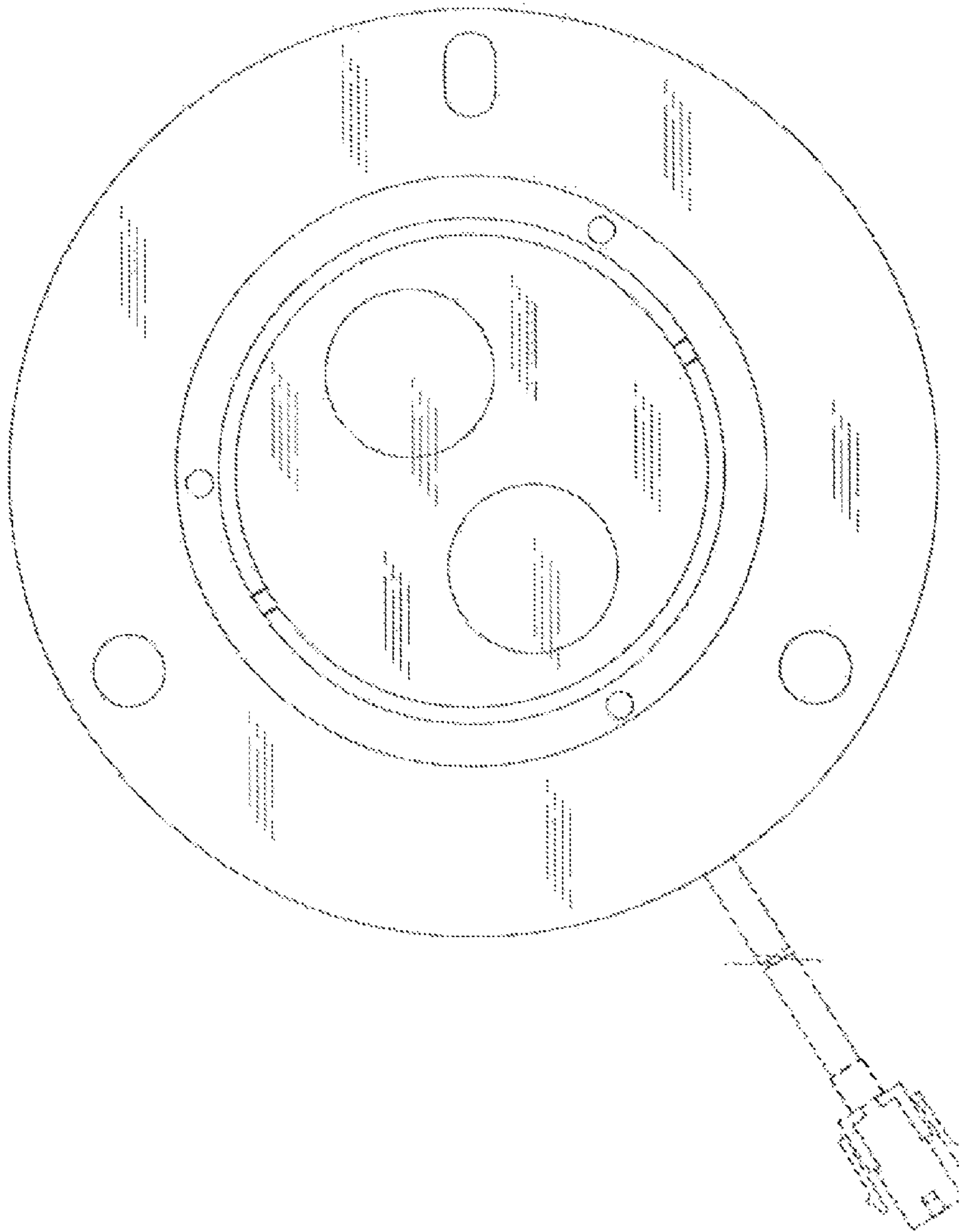


Fig. 1

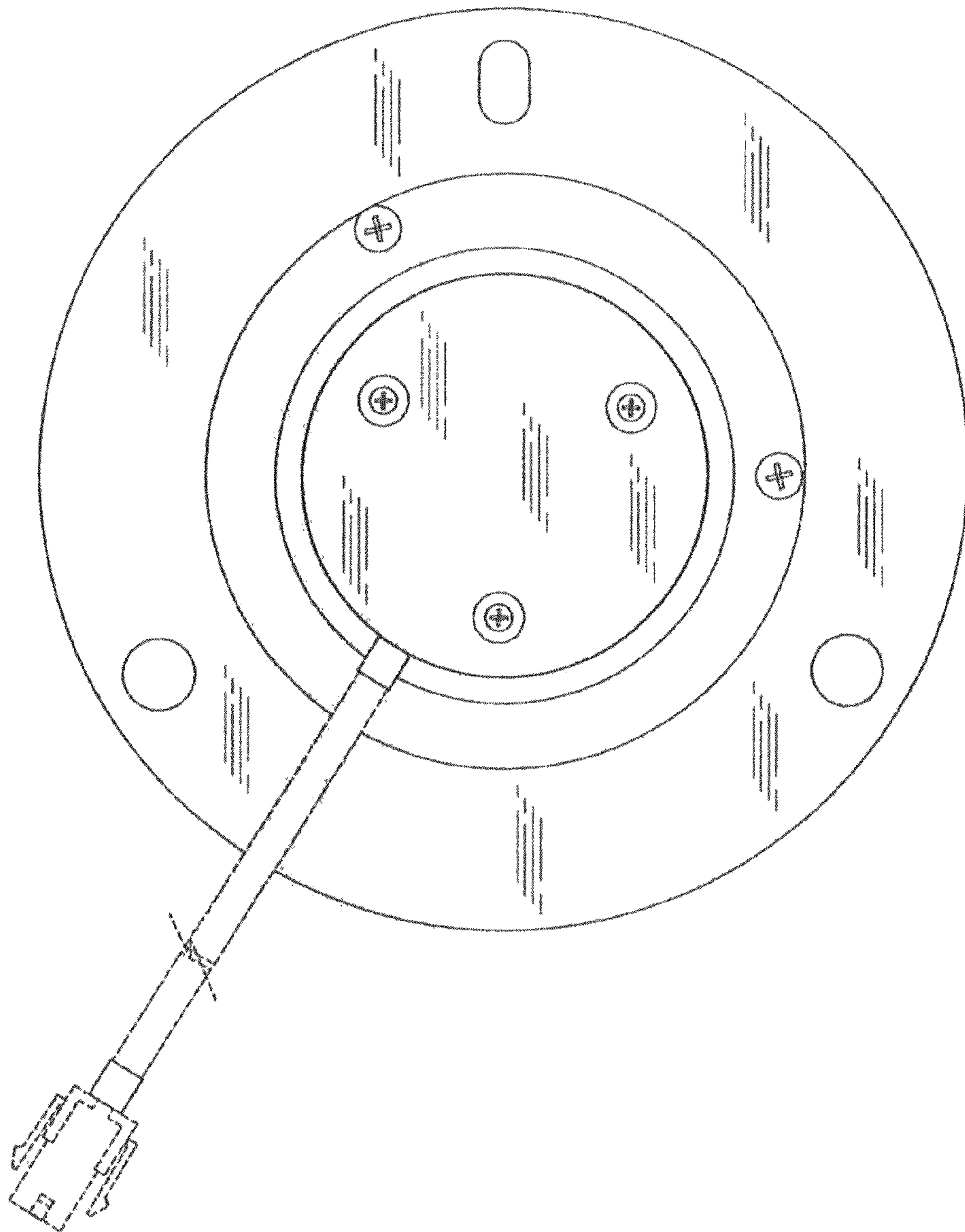


Fig. 2

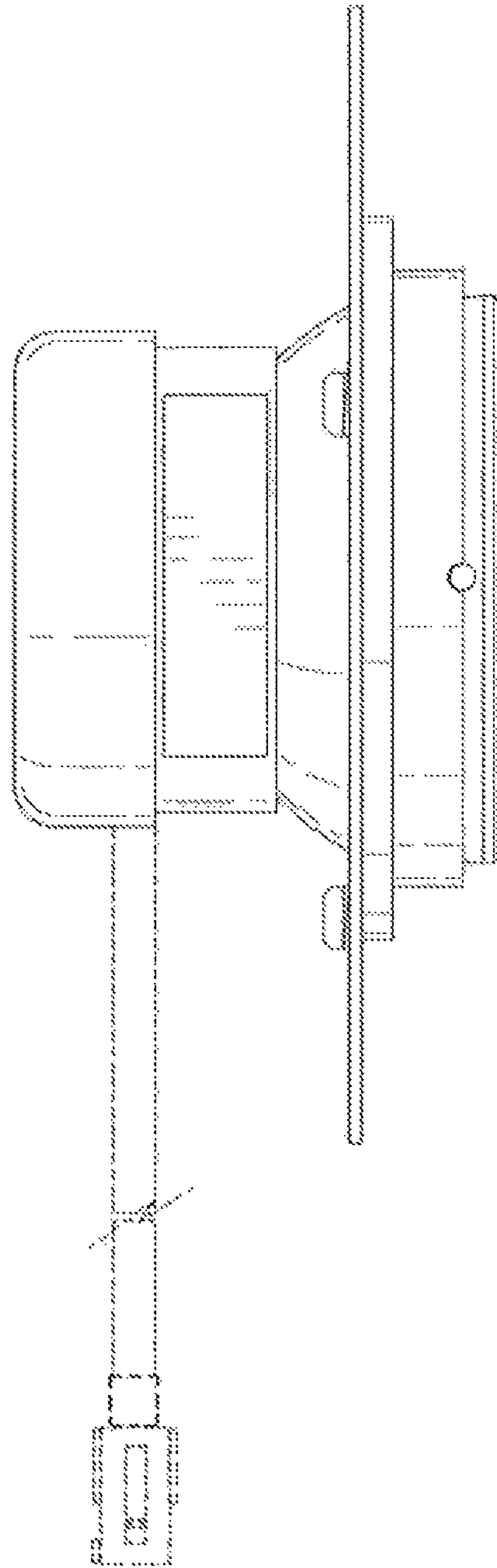


Fig. 3

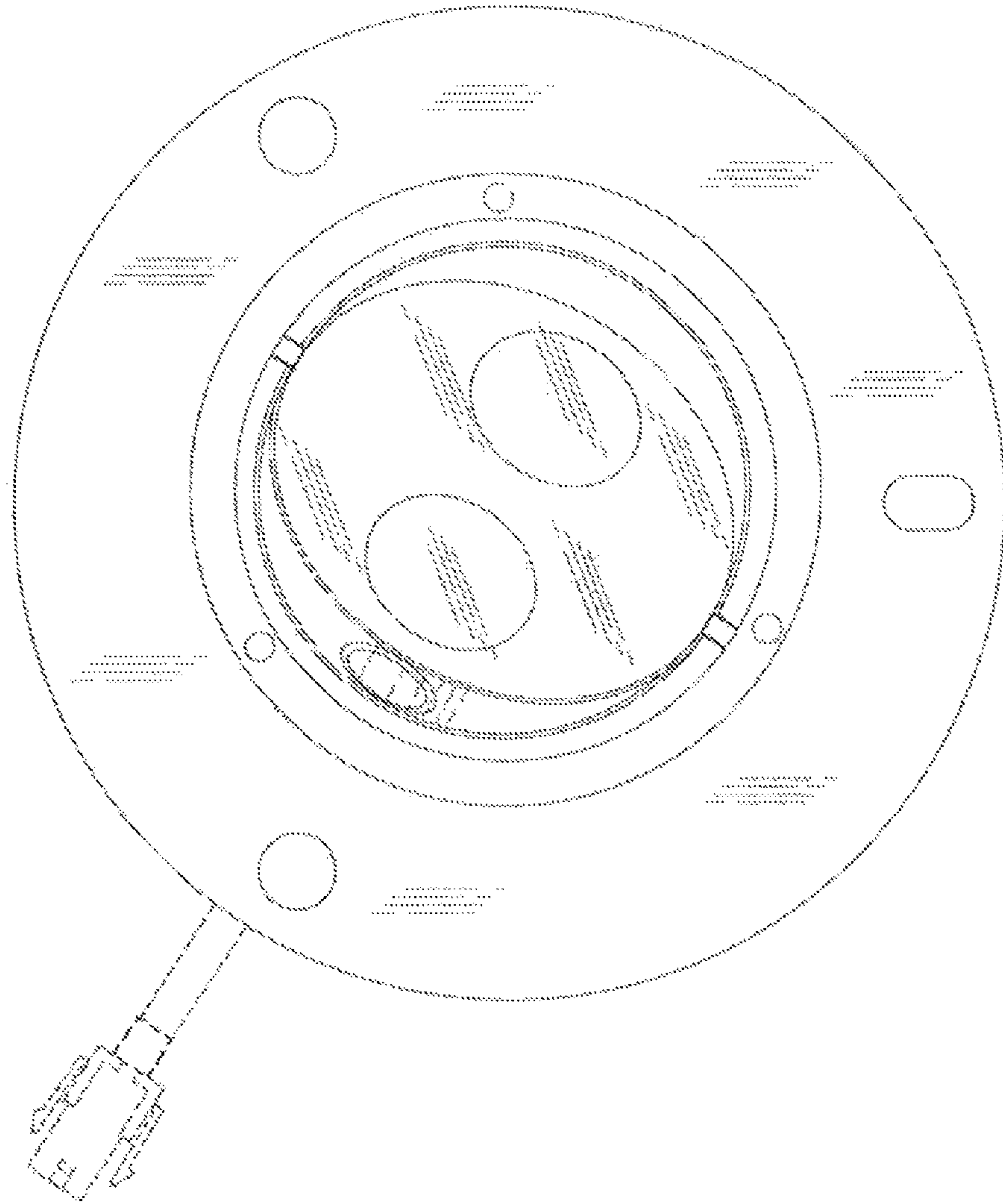


Fig. 4

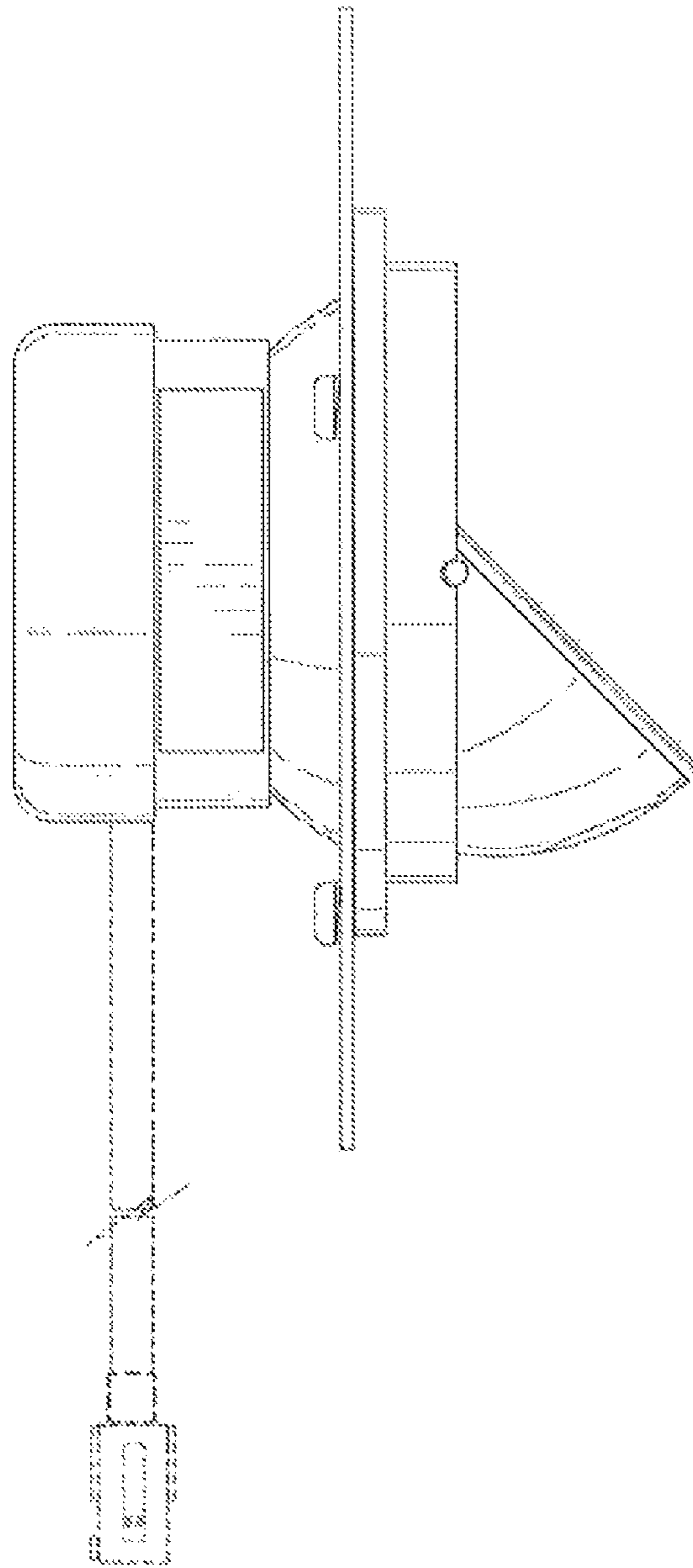


Fig. 5

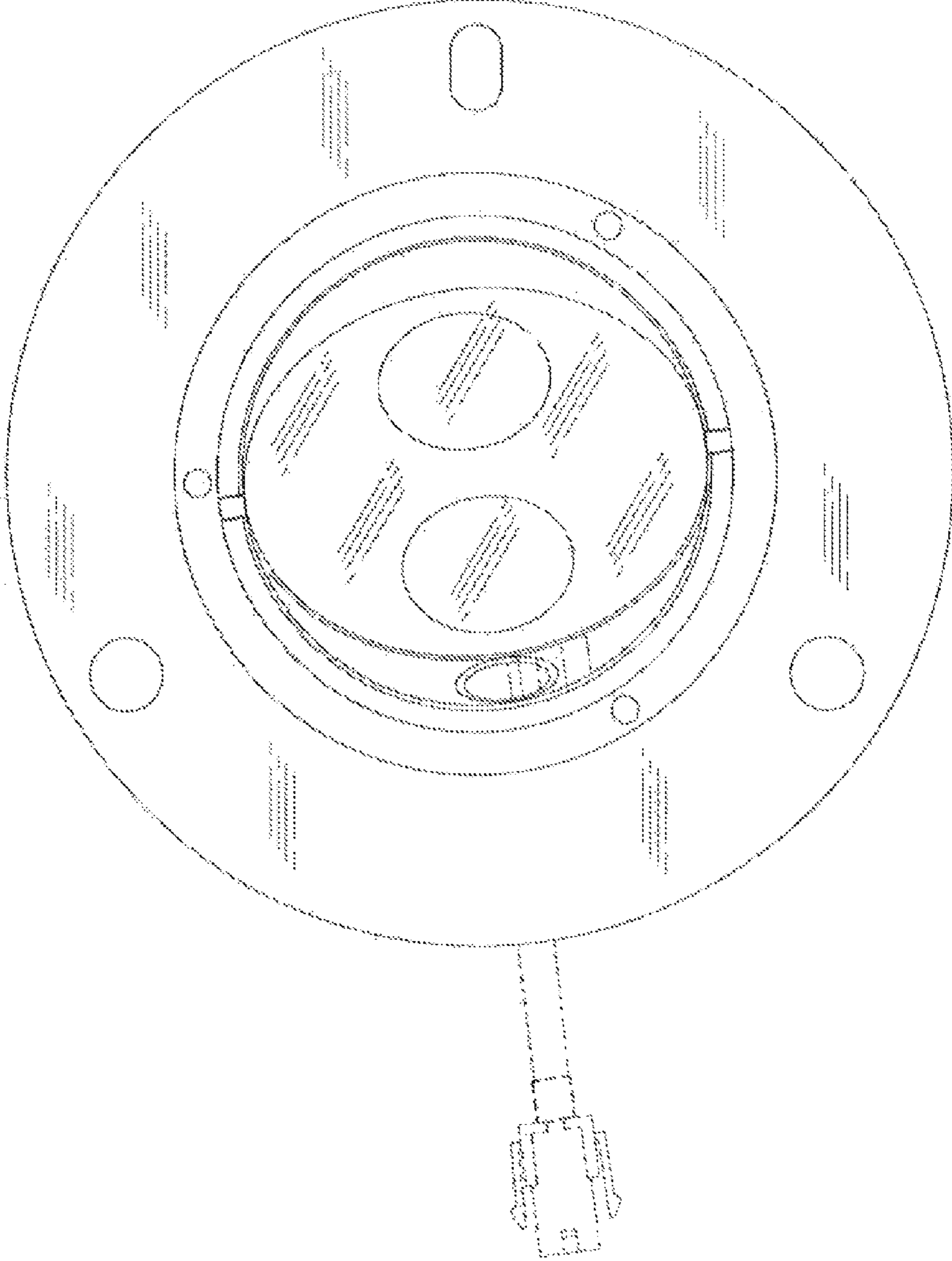


Fig. 6

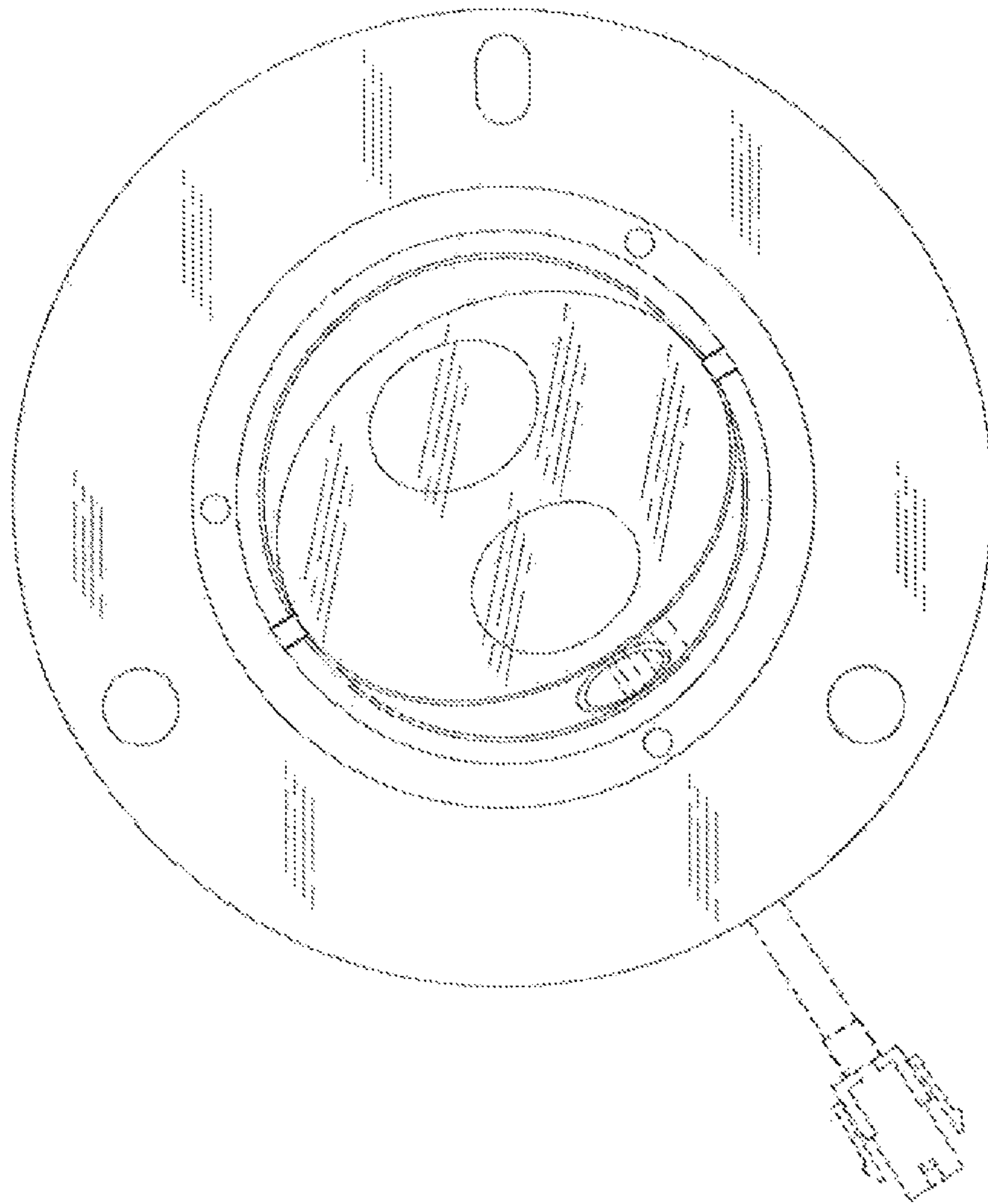


Fig. 7