



US00D703345S

(12) **United States Design Patent**  
**Tajima et al.**

(10) **Patent No.:** **US D703,345 S**  
(45) **Date of Patent:** **\*\* Apr. 22, 2014**

(54) **PLURALITY OF REACTION VESSELS WITH LIDS**

(71) Applicant: **Universal Bio Research Co., Ltd.**,  
Matsudo (JP)

(72) Inventors: **Hideji Tajima**, Matsudo (JP); **Masaki Mamiya**, Matsudo (JP)

(73) Assignee: **Universal Bio Research Co., Ltd.**,  
Matsudo-shi, Chiba (JP)

(\*\*) Term: **14 Years**

(21) Appl. No.: **29/437,580**

(22) Filed: **Nov. 19, 2012**

(30) **Foreign Application Priority Data**

Oct. 29, 2012 (JP) ..... 2012-26292  
Oct. 29, 2012 (JP) ..... 2012-26293

(51) **LOC (10) Cl.** ..... **24-01**

(52) **U.S. Cl.**  
USPC ..... **D24/224**

(58) **Field of Classification Search**  
USPC ..... D24/216, 219, 223–226, 227, 229–231,  
D24/232, 121; D10/81; 422/500, 547,  
422/551–554, 550, 568, 569;  
435/305.1–305.4

See application file for complete search history.

(56) **References Cited**

**U.S. PATENT DOCUMENTS**

4,956,150 A \* 9/1990 Henry ..... 422/553  
5,683,659 A \* 11/1997 Hovatter ..... 422/548  
5,753,186 A \* 5/1998 Hanley et al. .... 422/550  
5,863,791 A \* 1/1999 Baldszun et al. .... 435/288.1

D439,673 S \* 3/2001 Brophy et al. .... D24/226  
D445,907 S \* 7/2001 Monks ..... D24/224  
D453,573 S \* 2/2002 Lafond et al. .... D24/224  
6,601,725 B2 \* 8/2003 Lafond et al. .... 220/23.4  
D608,013 S \* 1/2010 Coulling et al. .... D24/224  
D679,830 S \* 4/2013 May et al. .... D24/224  
2013/0029343 A1 \* 1/2013 Day et al. .... 435/6.12

**OTHER PUBLICATIONS**

U.S. Appl. No. 29/437,592, filed Nov. 19, 2012, Universal Bio Research Co., Ltd.

\* cited by examiner

*Primary Examiner* — Anhdao Doan

(74) *Attorney, Agent, or Firm* — Haynes and Boone, LLP

(57) **CLAIM**

The ornamental design for a plurality of reaction vessels with lids, as shown and described.

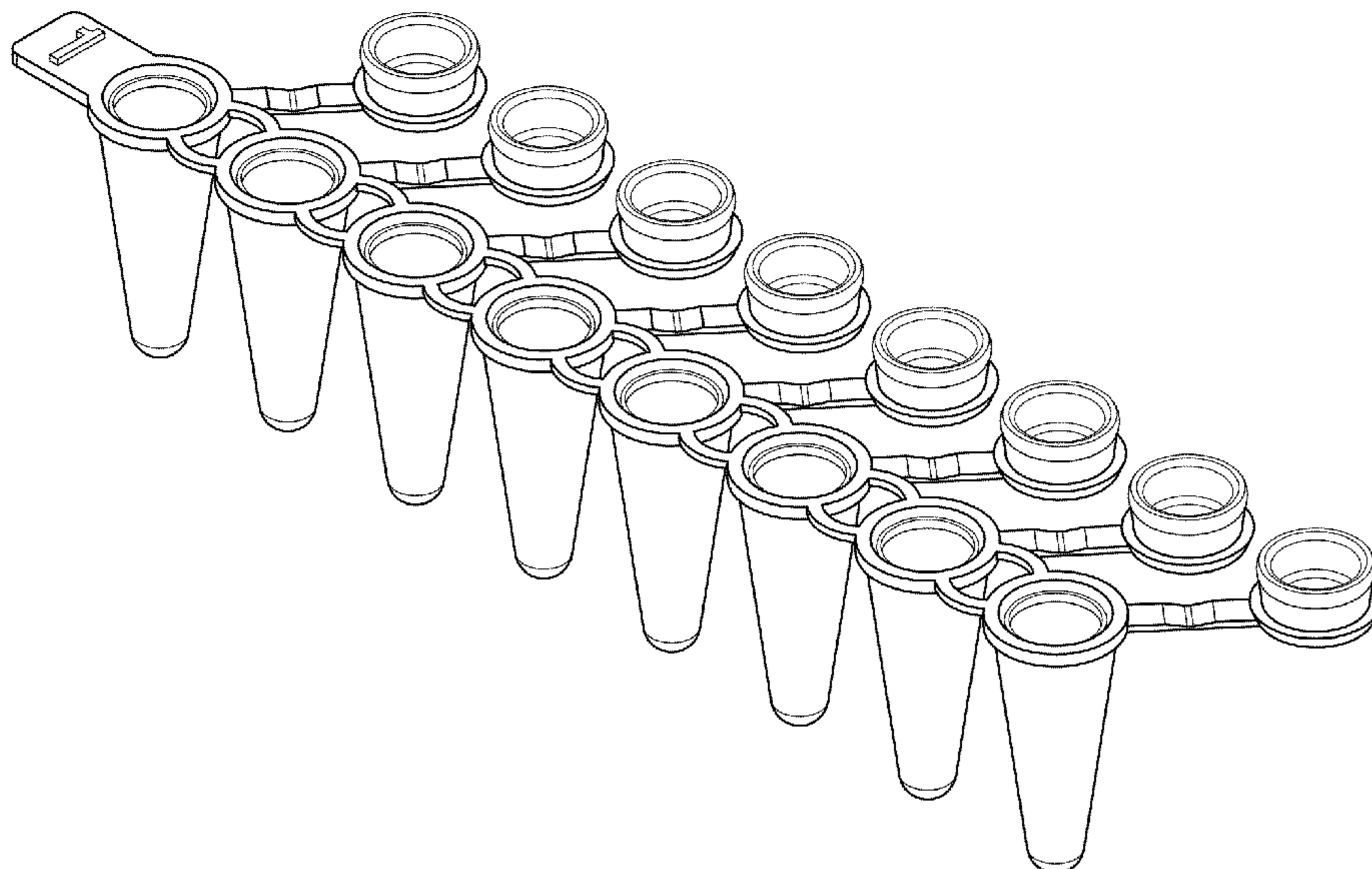
**DESCRIPTION**

This application is related to U.S. Design patent application Ser. No. 29/437,592, filed Nov. 19, 2012, which claims priority to Japanese Design Application No. 2012-26294, filed Oct. 29, 2012, the entire disclosures of which are incorporated herein by reference.

FIG. 1 is a perspective view of a plurality of reaction vessels with lids showing our new design;  
FIG. 2 is a top plan view thereof;  
FIG. 3 is a bottom plan view thereof;  
FIG. 4 is a front elevational view thereof;  
FIG. 5 is a rear elevational view thereof;  
FIG. 6 is a right side elevational view thereof; and,  
FIG. 7 is a left side elevational view thereof.

The design is shown in a condition in which the lids are open, it being understood that the lids may be shown in an open or closed position.

**1 Claim, 4 Drawing Sheets**



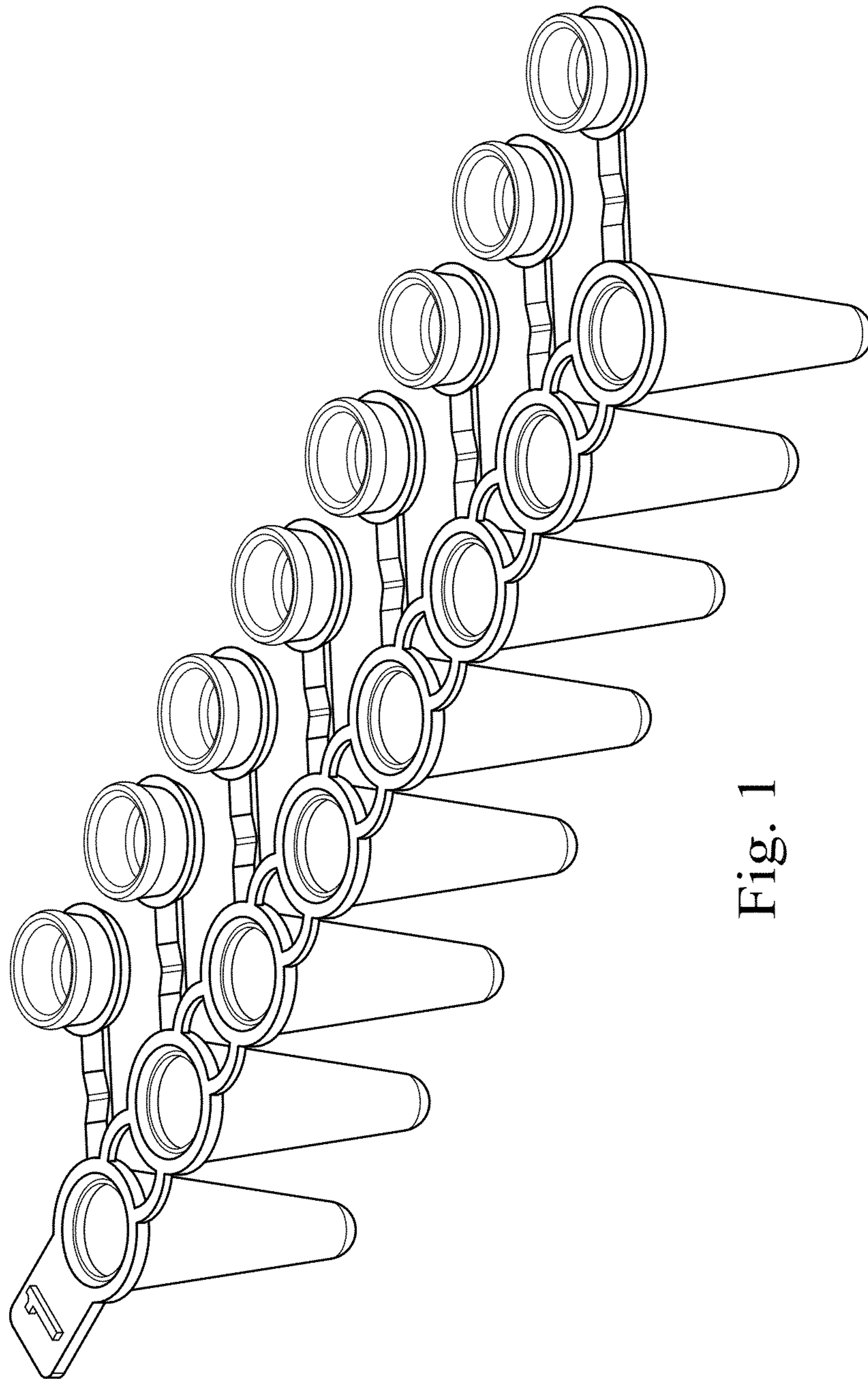


Fig. 1

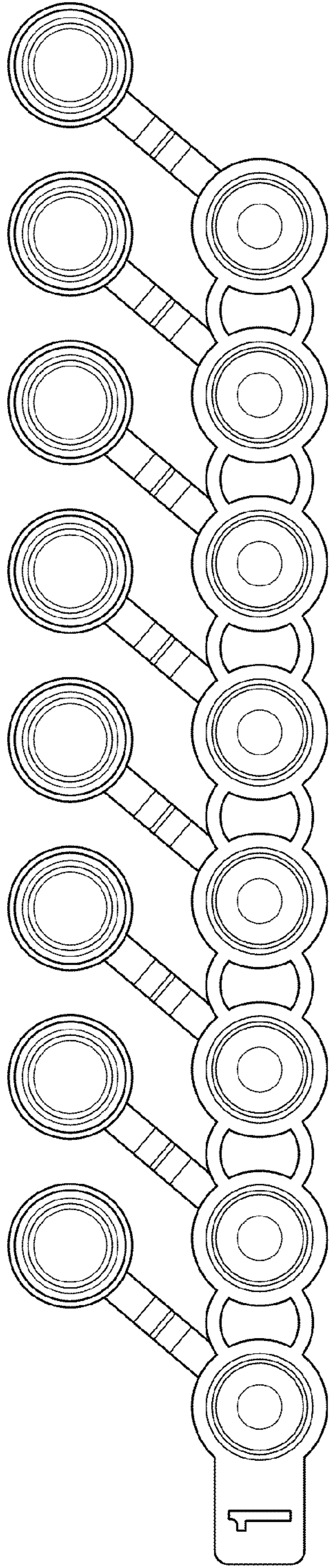


Fig. 2

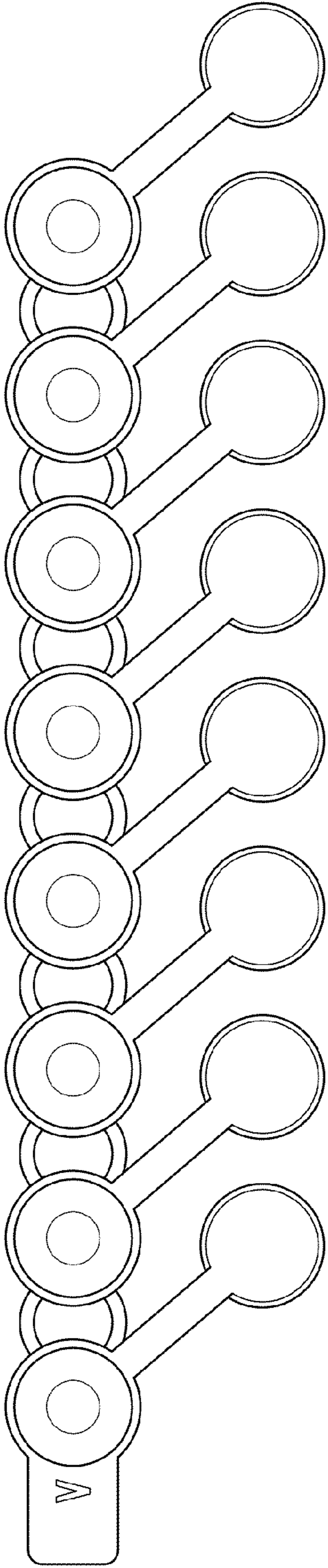


Fig. 3

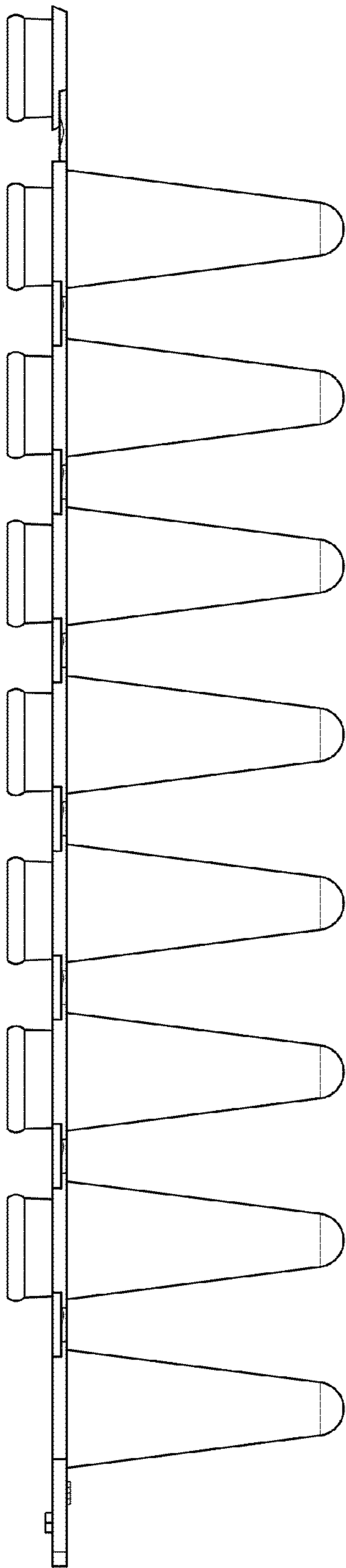


Fig. 4

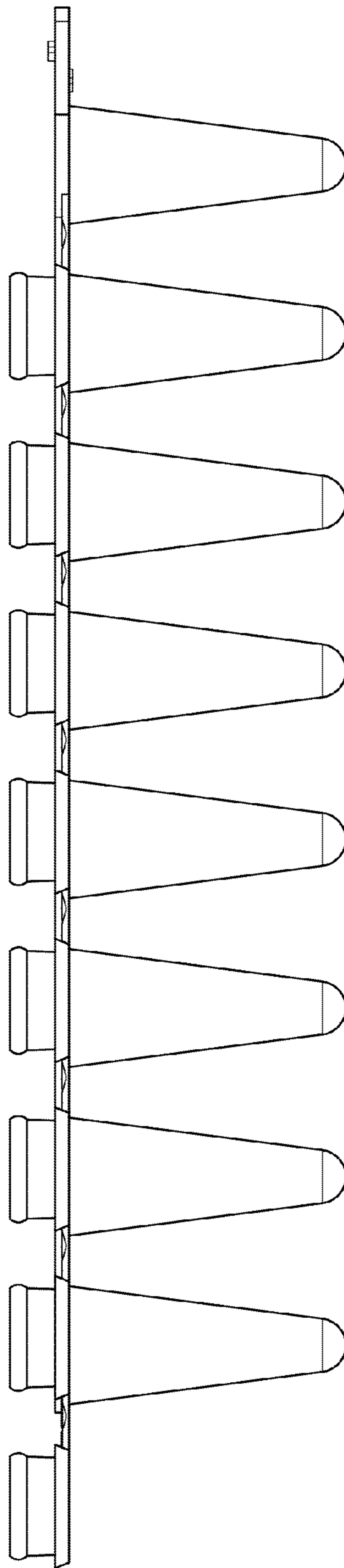


Fig. 5

Fig. 7

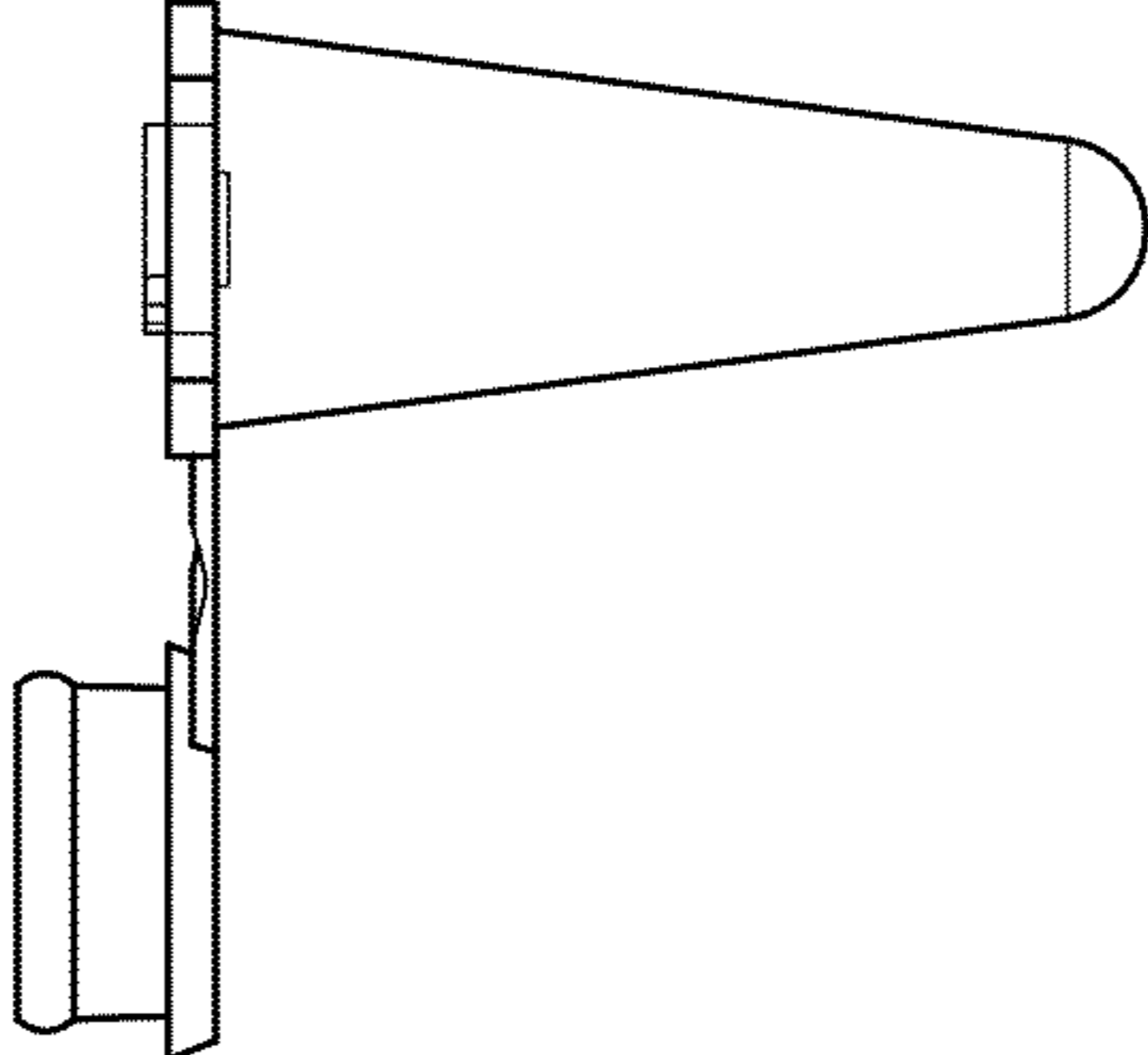


Fig. 6

