



US00D703344S

(12) **United States Design Patent**
Herbst et al.

(10) **Patent No.:** **US D703,344 S**
(45) **Date of Patent:** **** Apr. 22, 2014**

(54) **PIPETTE TIP**

(71) Applicant: **Corning Incorporated**, Corning, NY
(US)

(72) Inventors: **Royce Charles Herbst**, Alpine, UT
(US); **West Lavar Price**, Draper, UT
(US); **Fredrick Carling Steed**, Sandy,
UT (US)

(73) Assignee: **Corning Incorporated**, Corning, NY
(US)

(**) Term: **14 Years**

(21) Appl. No.: **29/458,321**

(22) Filed: **Jun. 18, 2013**

(51) **LOC (10) Cl.** **24-02**

(52) **U.S. Cl.**
USPC **D24/222**

(58) **Field of Classification Search**
USPC D24/216, 222, 224, 231, 232, 112, 114,
D24/115; D10/81; 422/501; 73/864.01,
73/864.02, 864.11, 864.13, 864.14, 864.16
See application file for complete search history.

(56) **References Cited**

U.S. PATENT DOCUMENTS

D255,601 S	6/1980	DeVaughn	D24/55
D256,052 S *	7/1980	De Vaughn	D24/222
D384,418 S *	9/1997	Torti et al.	D24/222
5,851,491 A *	12/1998	Moulton	73/864.01
6,168,761 B1	1/2001	Kelly et al.	422/100

6,171,553 B1	1/2001	Petrek	422/100
D465,853 S *	11/2002	Petersen	D24/222
6,499,363 B1	12/2002	Morimoto et al.	73/864.01
D468,440 S *	1/2003	Petrek	D24/222
D468,830 S *	1/2003	On et al.	D24/222
D468,831 S *	1/2003	On et al.	D24/222
6,550,349 B1	4/2003	Godin	73/864.13
6,568,288 B2	5/2003	Rainin et al.	73/864.16
6,596,240 B2	7/2003	Taggart et al.	422/100
6,737,023 B1	5/2004	Kelly et al.	422/100
6,745,636 B2	6/2004	Rainin et al.	73/864.16
6,955,077 B2	10/2005	Blaszczak et al.	73/73
6,967,044 B1	11/2005	O'Brien	428/35.7
7,047,828 B2	5/2006	Blaszczak et al.	73/864.01
7,320,259 B2	1/2008	Jessop	73/864.11
7,662,344 B2	2/2010	Mathus et al.	422/100
8,163,256 B2	4/2012	Cote et al.	422/524
8,343,438 B1	1/2013	Smith	422/501
2002/0009809 A1 *	1/2002	Brewer	422/61

* cited by examiner

Primary Examiner — Anhdao Doan

(74) *Attorney, Agent, or Firm* — John L. Haack

(57) **CLAIM**

The ornamental design for a pipette tip, as shown and described.

DESCRIPTION

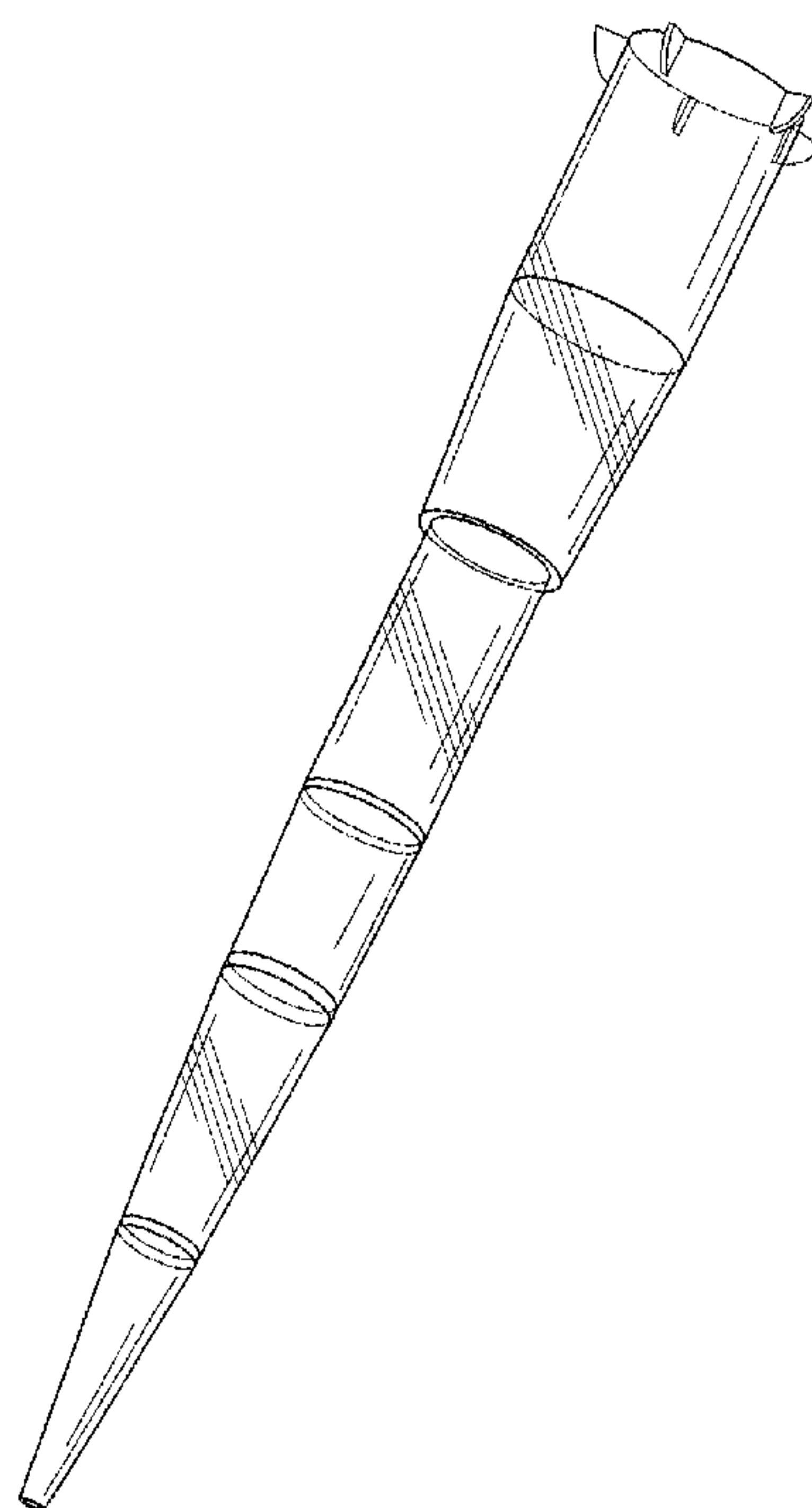
FIG. 1 is a perspective view of a pipette tip incorporating the design.

FIGS. 2, 3, 4, and 5 are side elevation views thereof.

FIG. 6 is a bottom plan view thereof; and,

FIG. 7 is a top plan view thereof.

1 Claim, 4 Drawing Sheets



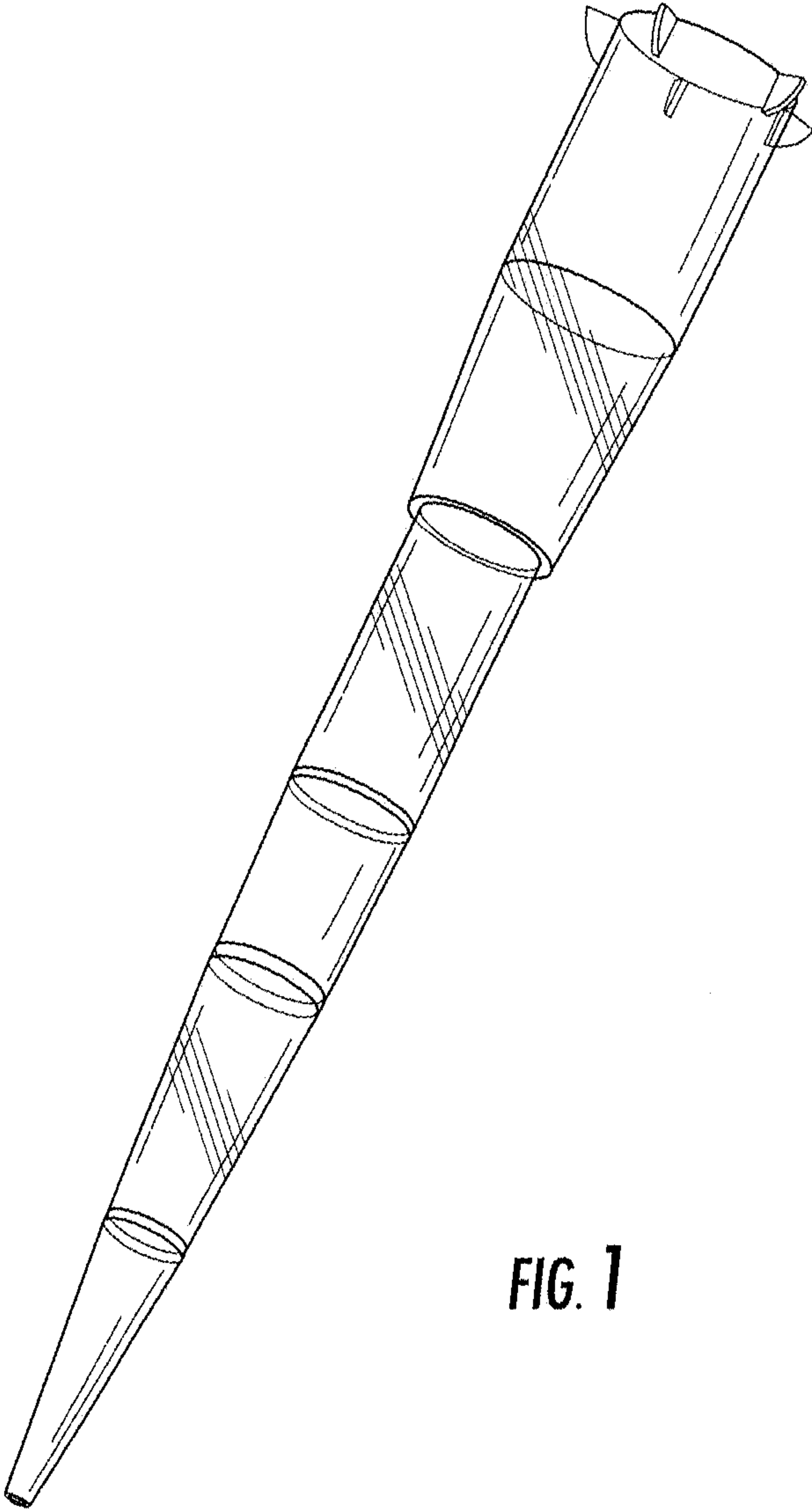


FIG. 1

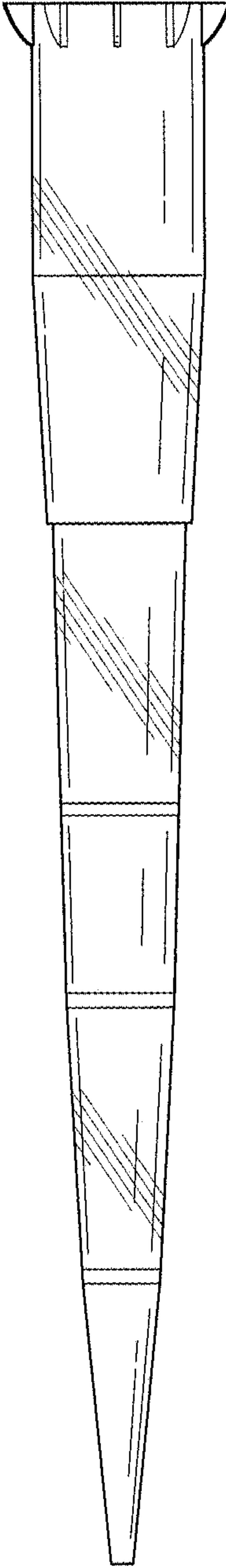


FIG. 2

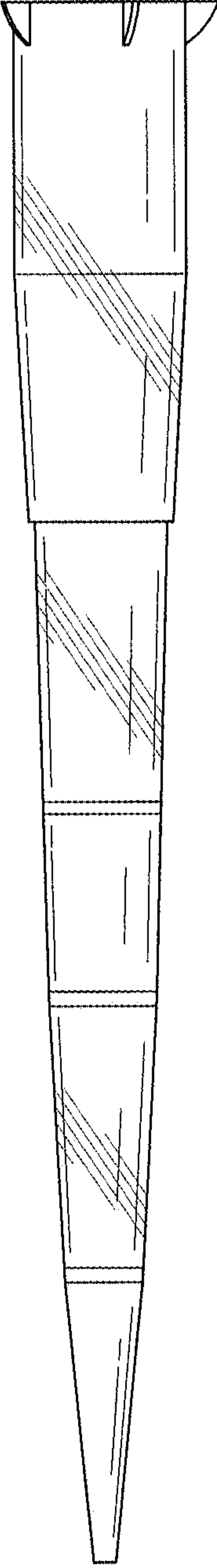


FIG. 3

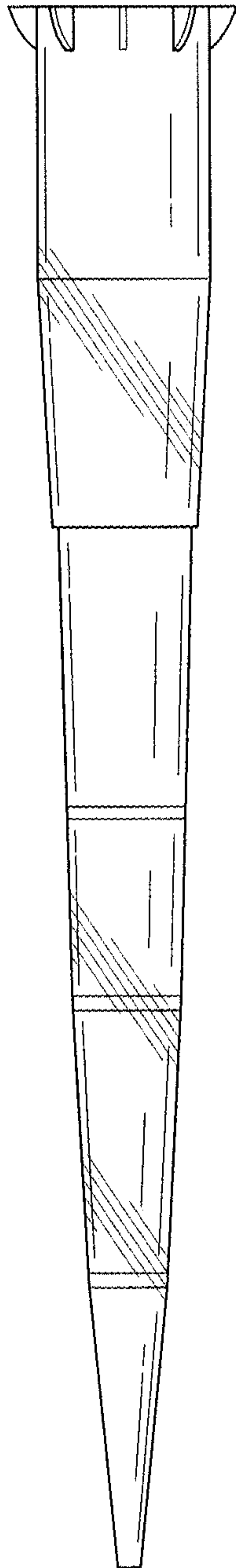


FIG. 4

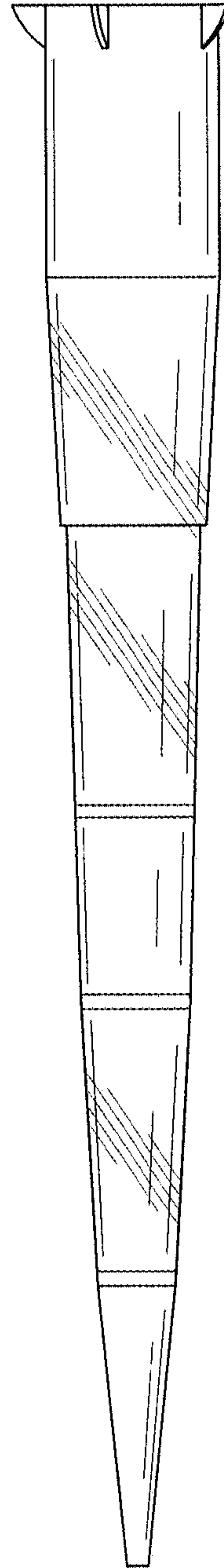


FIG. 5

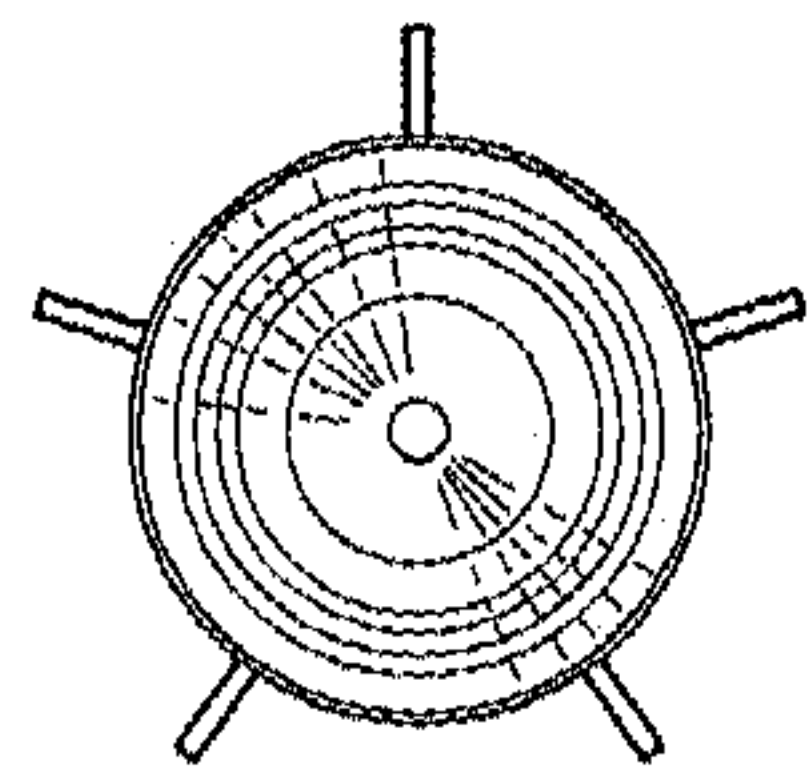


FIG. 6

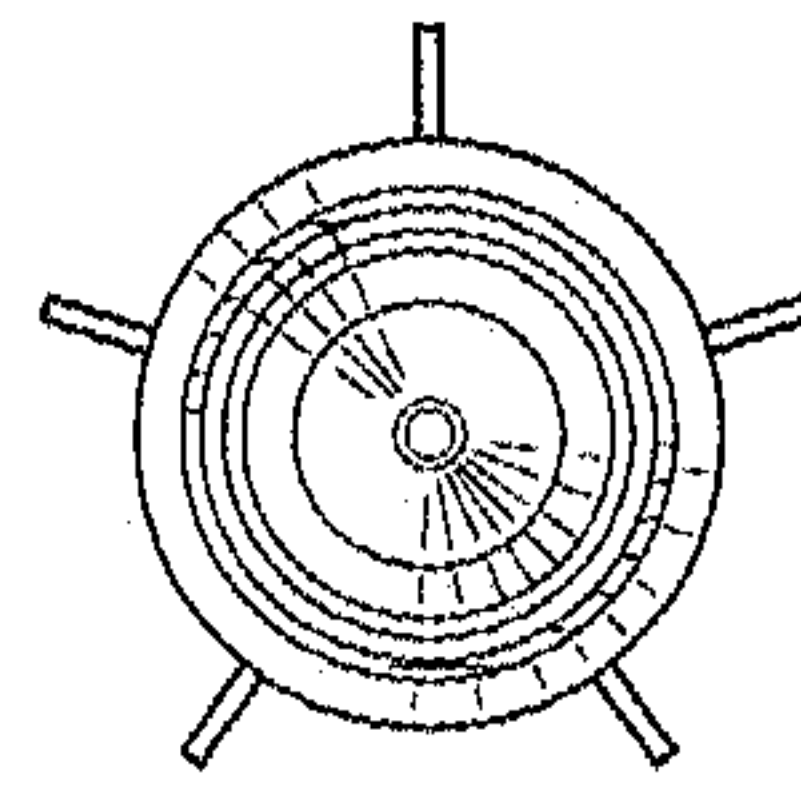


FIG. 7